



US00D759343S

(12) **United States Design Patent**
Kimura et al.

(10) **Patent No.:** **US D759,343 S**
(45) **Date of Patent:** **** Jun. 21, 2016**

(54) **MACARONI**

- (71) Applicant: **NISSHIN FOODS INC.**, Tokyo (JP)
- (72) Inventors: **Ryusuke Kimura**, Tokyo (JP); **Fusaki Kajio**, Tokyo (JP)
- (73) Assignee: **NISSHIN FOODS INC.**, Tokyo (JP)
- (**) Term: **15 Years**
- (21) Appl. No.: **29/543,253**
- (22) Filed: **Oct. 22, 2015**

Related U.S. Application Data

- (62) Division of application No. 29/526,971, filed on May 14, 2015, now Pat. No. Des. 745,243, which is a division of application No. 29/488,931, filed on Apr. 24, 2014, now Pat. No. Des. 733,992, which is a division of application No. 29/445,131, filed on Feb. 7, 2013, now Pat. No. Des. 707,419.
- (51) **LOC (10) Cl.** **01-01**
- (52) **U.S. Cl.**
USPC **D1/126**
- (58) **Field of Classification Search**
USPC D1/100-130, 199; 426/5, 76, 87, 92, 426/94, 95, 99, 101, 103, 104, 108, 134, 426/138-139, 143, 144, 279, 282, 283, 391, 426/514, 549, 559, 560, 660, 808; D9/439; 521/50; 251/364; 220/574; D8/83, 29, D8/70, 356; D21/487, 458; D13/115
See application file for complete search history.

(56) **References Cited**

U.S. PATENT DOCUMENTS

1,589,850 A	6/1926	Haskell
D134,414 S	11/1942	Orme, Jr.

(Continued)

FOREIGN PATENT DOCUMENTS

JP	D 1464623	3/2013
JP	D 1464624	3/2013

(Continued)

OTHER PUBLICATIONS

Japanese Design Patent Application No. 2012-18358 filed Aug. 1, 2012.

(Continued)

Primary Examiner — Garth Rademaker

Assistant Examiner — Katie Mroczka

(74) *Attorney, Agent, or Firm* — Muncy, Geissler, Olds & Lowe, P.C.

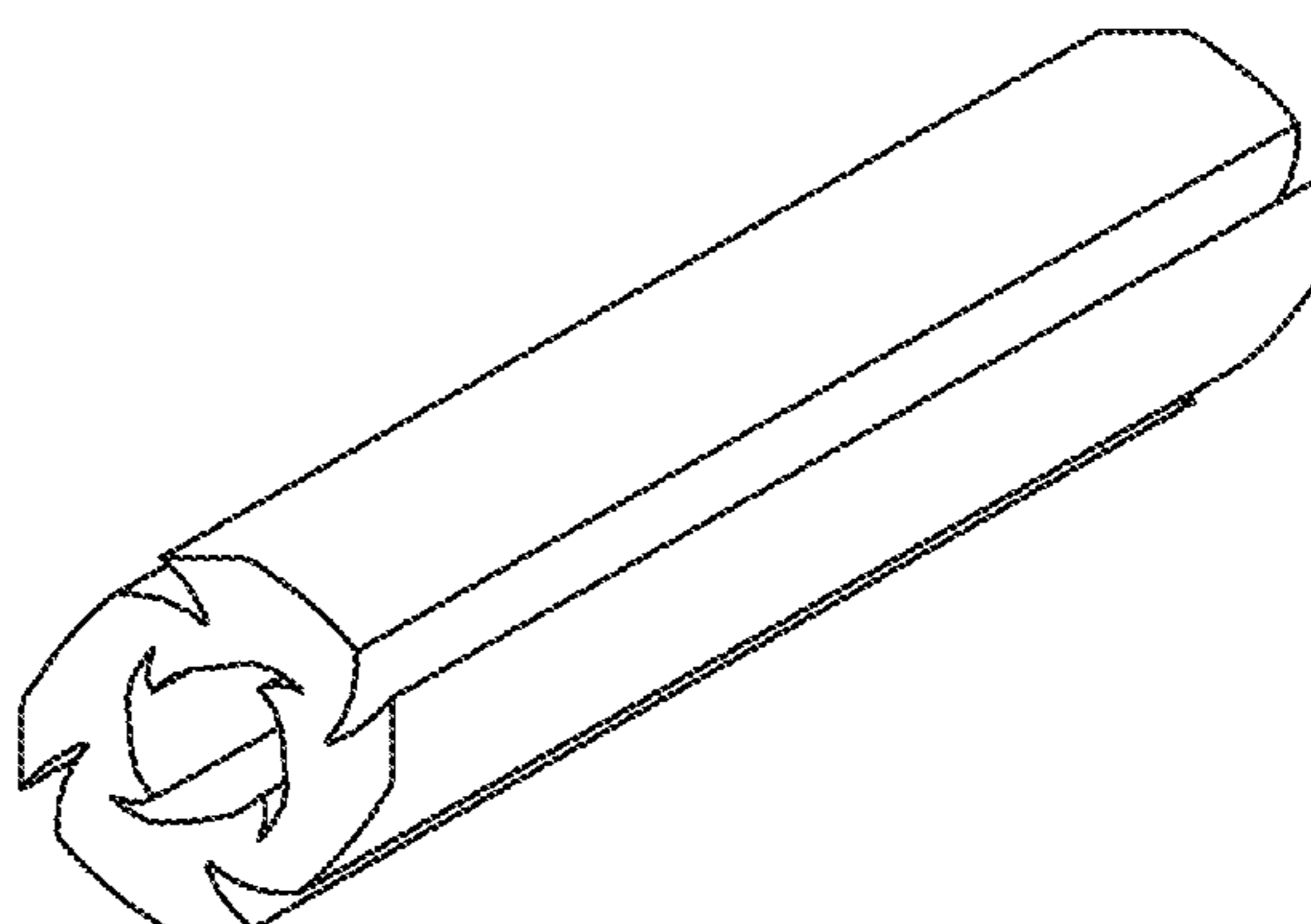
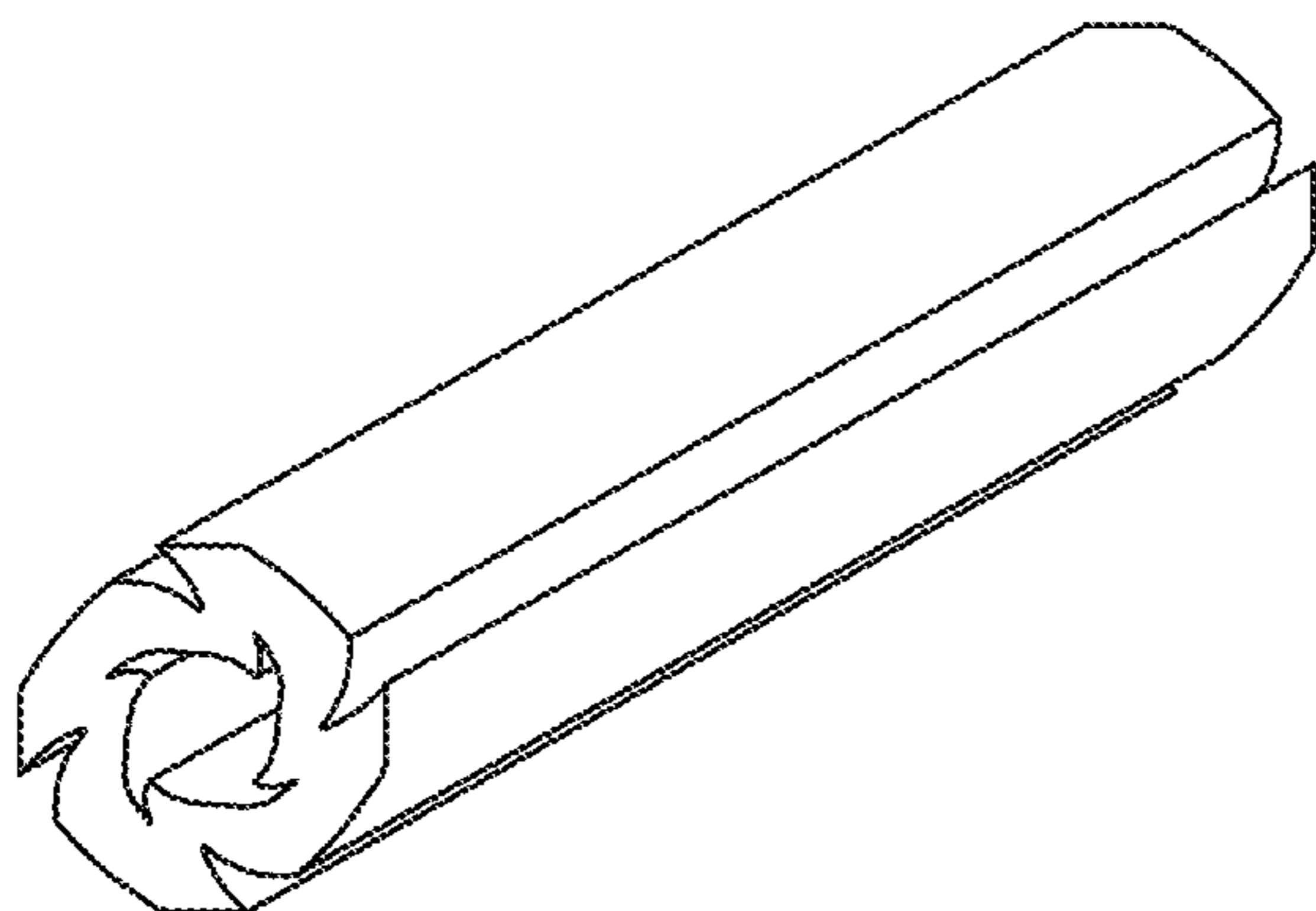
(57) **CLAIM**

The ornamental design for a macaroni, as shown and described.

DESCRIPTION

FIG. 1 is a perspective view of a macaroni according to Embodiment 1;
 FIG. 2 is a front view of the macaroni according to Embodiment 1;
 FIG. 3 is a rear view of the macaroni according to Embodiment 1;
 FIG. 4 is a right side view of the macaroni according to Embodiment 1;
 FIG. 5 is a left side view of the macaroni according to Embodiment 1;
 FIG. 6 is a top plan view of the macaroni according to Embodiment 1;
 FIG. 7 is a bottom plan view of the macaroni according to Embodiment 1;
 FIG. 8 is a perspective view of a macaroni according to Embodiment 2;
 FIG. 9 is a front view of the macaroni according to Embodiment 2;
 FIG. 10 is a rear view of the macaroni according to Embodiment 2;
 FIG. 11 is a right side view of the macaroni according to Embodiment 2;
 FIG. 12 is a left side view of the macaroni according to Embodiment 2;
 FIG. 13 is a top plan view of the macaroni according to Embodiment 2; and,
 FIG. 14 is a bottom plan view of the macaroni according to Embodiment 2.

1 Claim, 2 Drawing Sheets



(56)

References Cited

U.S. PATENT DOCUMENTS

3,161,210 A 12/1964 Loof
 3,240,233 A 3/1966 Johnston
 3,720,235 A 3/1973 Schrock
 4,248,179 A 2/1981 Bonner
 4,358,634 A 11/1982 Dienes
 4,892,442 A 1/1990 Shoffner
 D311,625 S 10/1990 Starck
 D315,435 S * 3/1991 Kirkpatrick D1/127
 5,087,153 A 2/1992 Washburn
 D338,678 S * 8/1993 Mihic D15/139
 5,238,328 A 8/1993 Adams et al.
 D347,665 S 6/1994 Hatting
 D380,886 S 7/1997 Hauser et al.
 D381,185 S 7/1997 Hauser et al.
 5,678,609 A 10/1997 Washburn
 D392,435 S 3/1998 Mocking et al.
 5,937,488 A 8/1999 Geiger
 D423,312 S 4/2000 Hames
 D428,782 S 8/2000 Hames
 6,112,770 A 9/2000 Walsh et al.
 6,185,859 B1 2/2001 Pirkle
 D440,377 S * 4/2001 Keller D1/120
 D445,322 S 7/2001 Hames
 D485,661 S 1/2004 Harris
 D489,865 S 5/2004 Pavan
 D492,467 S 7/2004 Pittard et al.
 D494,451 S * 8/2004 Winig D8/356
 D499,005 S * 11/2004 Winig D8/356
 D507,691 S 7/2005 Leiweke et al.
 D508,199 S * 8/2005 Winig D8/356
 D537,607 S * 3/2007 Adkins D1/122
 D538,507 S 3/2007 Tansey et al.
 D544,322 S * 6/2007 Horobec D8/29

D565,826 S * 4/2008 Zaragoza D1/120
 D575,612 S 8/2008 Clampitt et al.
 D591,926 S * 5/2009 Jia D1/125
 D593,277 S 6/2009 Wylie
 D630,409 S * 1/2011 Tansey D1/125
 D660,546 S 5/2012 Joseph et al.
 D684,337 S 6/2013 Tansey et al.
 D684,339 S * 6/2013 Cox D1/199
 D692,206 S 10/2013 Slusarczyk et al.
 8,647,694 B2 2/2014 Kimura et al.
 D709,343 S * 7/2014 Huang D8/29
 2010/0034930 A1 2/2010 Ko
 2012/0196015 A1 8/2012 Fuentes et al.

FOREIGN PATENT DOCUMENTS

JP D 1464625 3/2013
 JP D 1464823 3/2013
 JP D 1464824 3/2013
 JP D 1464825 3/2013

OTHER PUBLICATIONS

Japanese Design Patent Application No. 2012-18359 filed Aug. 1, 2012.
 Japanese Design Patent Application No. 2012-236549 filed Oct. 26, 2012.
 International Patent Application No. PCT/JP2013/52731 filed Feb. 6, 2013.
 Japanese Office Action dated Mar. 26, 2013, for Design Application No. 2012-018358.
 Japanese Office Action dated Mar. 26, 2012, for Design Application No. 2012-018359.

* cited by examiner

FIG. 1

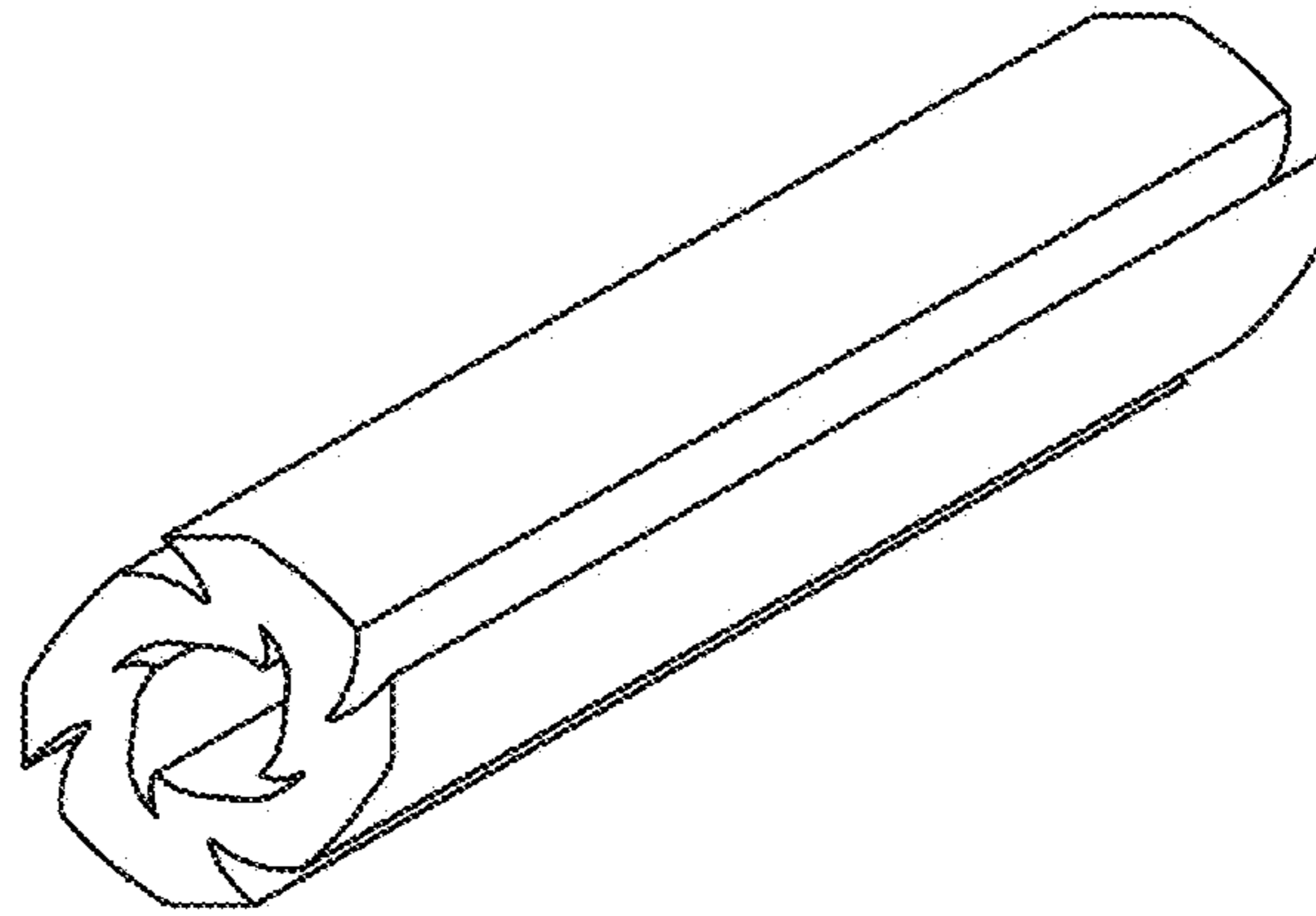


FIG. 2

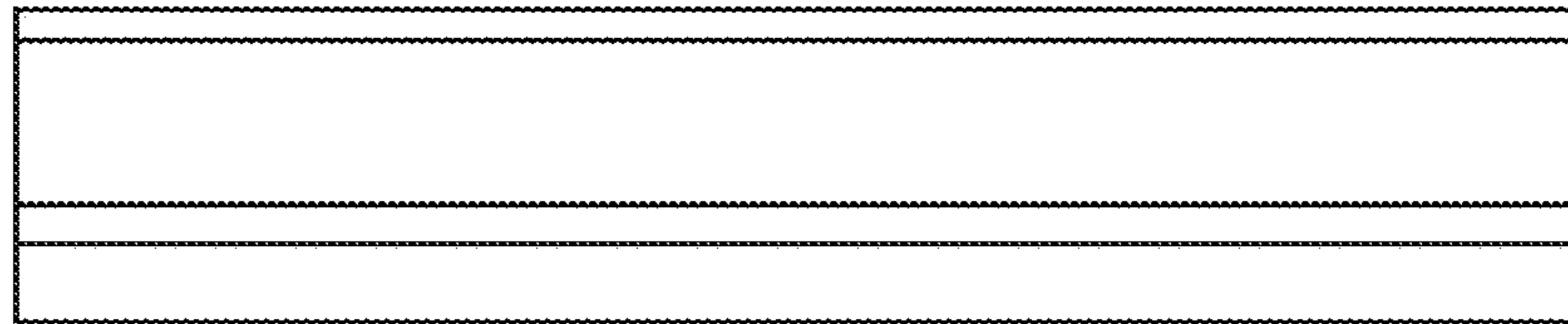


FIG. 3

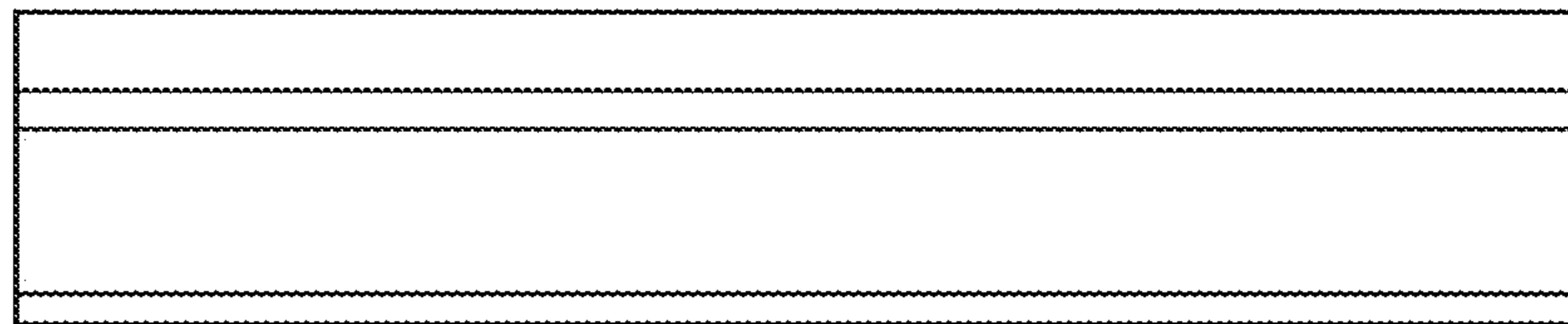


FIG. 4

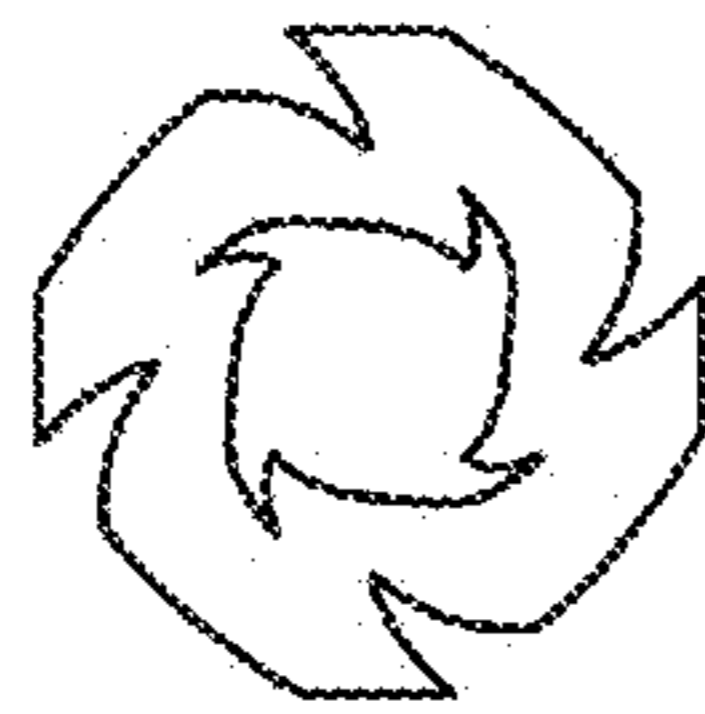


FIG. 5



FIG. 6

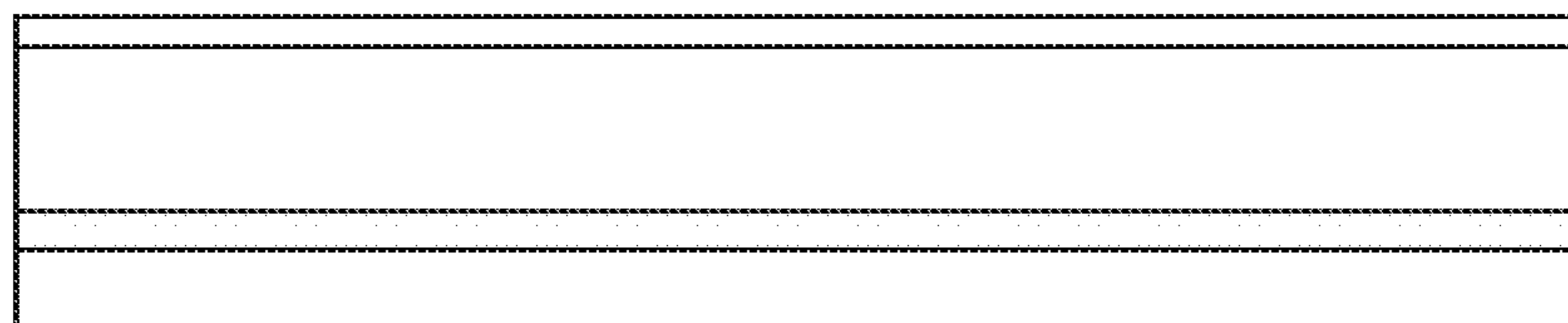


FIG. 7

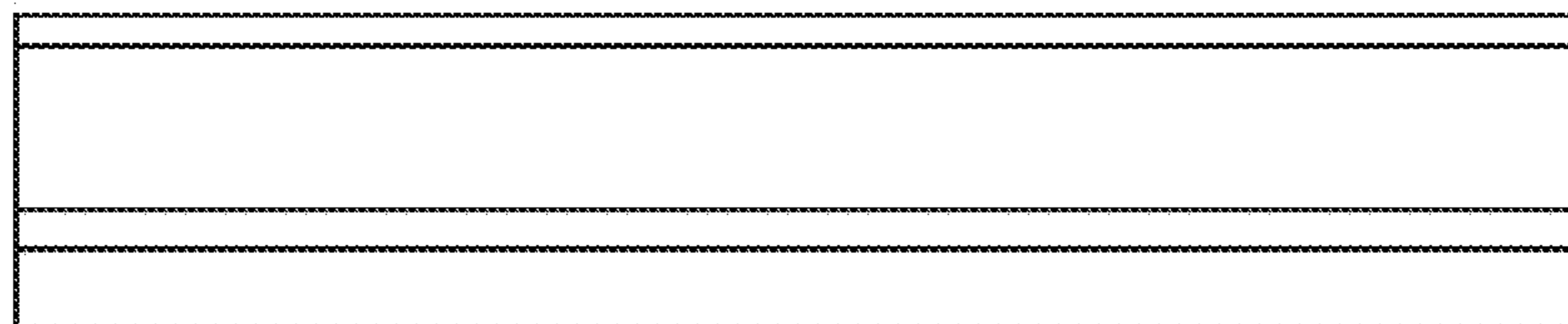


FIG. 8

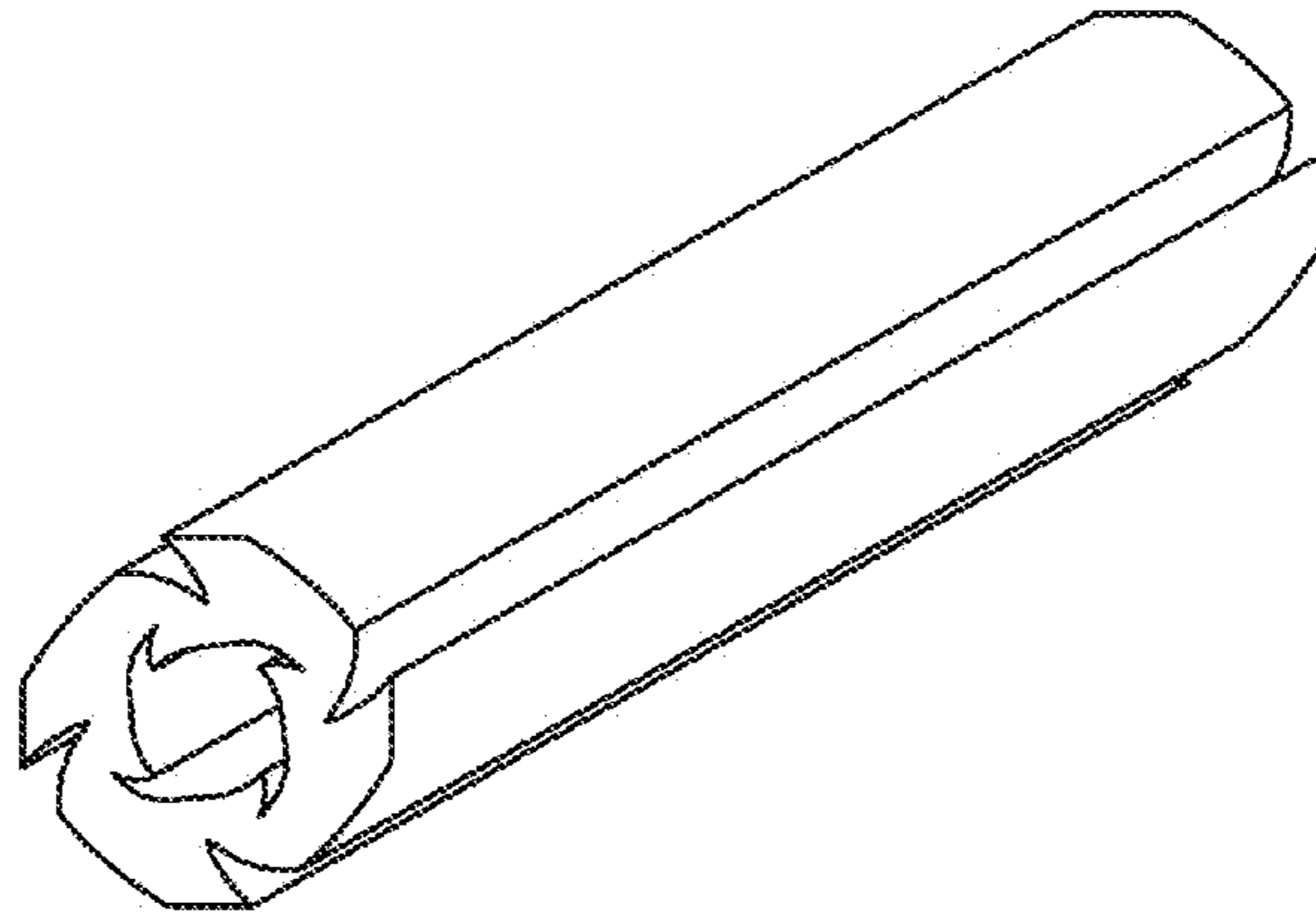


FIG. 9

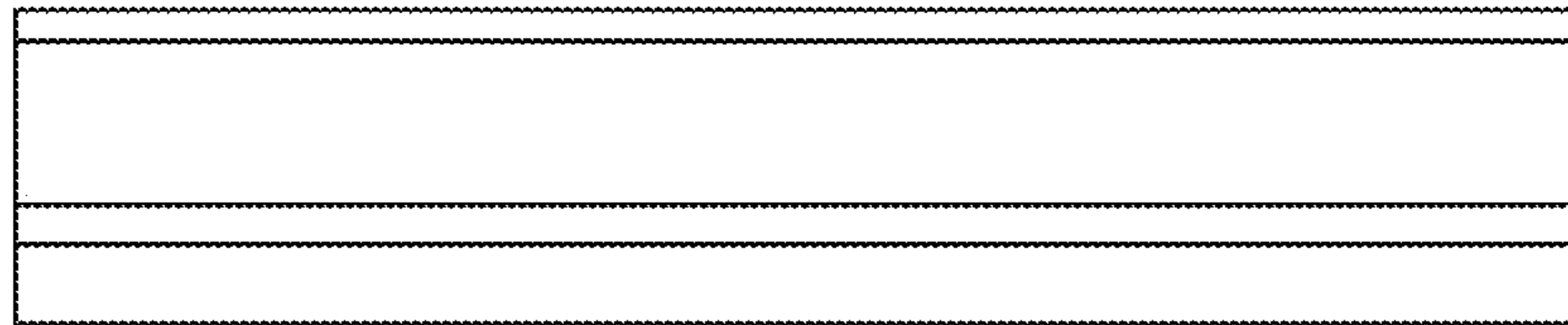


FIG. 10

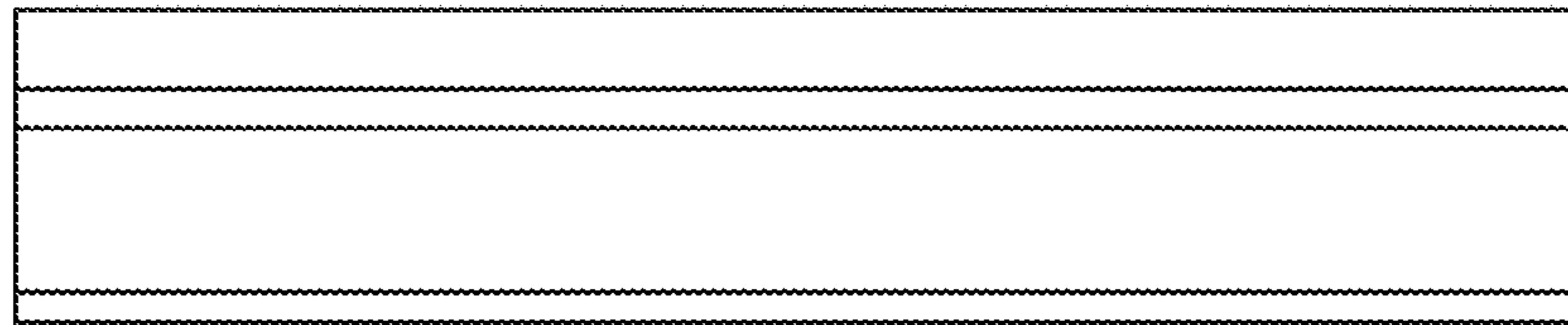


FIG. 11

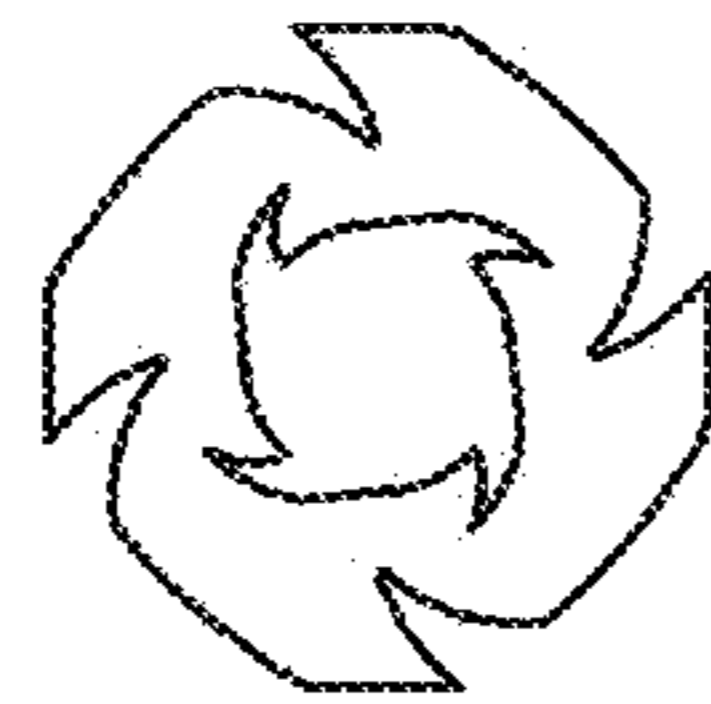


FIG. 12

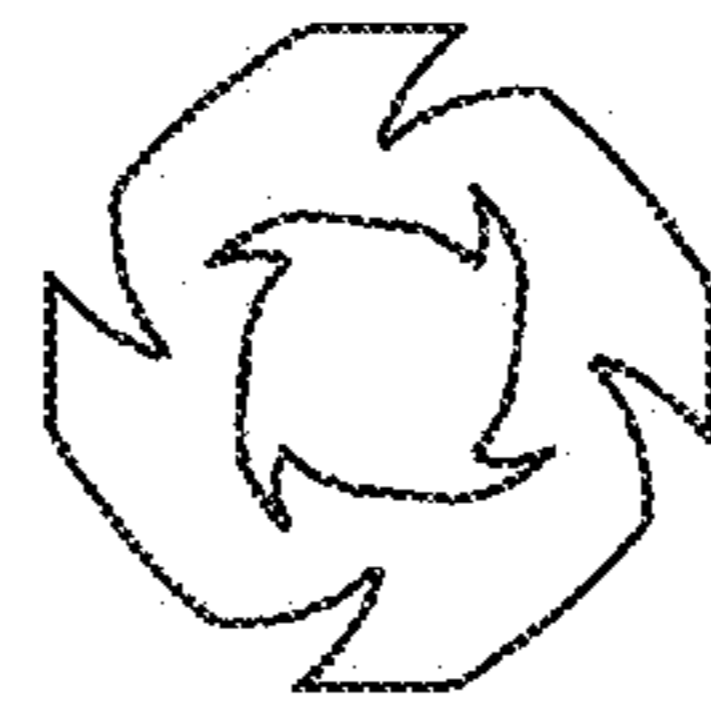


FIG. 13

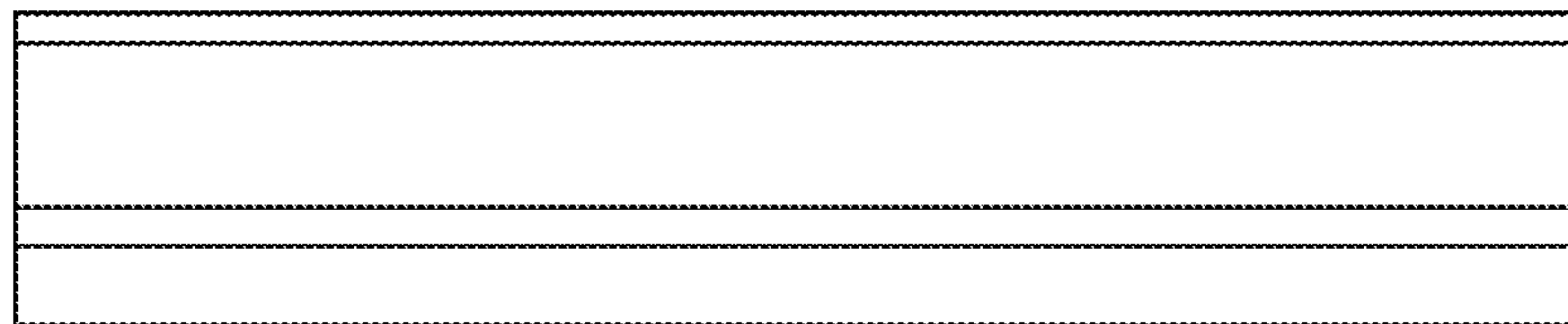


FIG. 14

