



US00D759340S

(12) **United States Design Patent**
Nelson

(10) **Patent No.:** **US D759,340 S**
(45) **Date of Patent:** **** Jun. 14, 2016**

- (54) **3D FRONT PANEL OF LOCK-BOX**
- (71) Applicant: **Safemark Systems, LP**, Orlando, FL (US)
- (72) Inventor: **Scott Nelson**, Apopka, FL (US)
- (73) Assignee: **Safemark Systems, LP**, Orlando, FL (US)
- (**) Term: **14 Years**
- (21) Appl. No.: **29/513,426**
- (22) Filed: **Dec. 30, 2014**
- (51) **LOC (10) Cl.** **99-00**
- (52) **U.S. Cl.**
USPC **D99/43**
- (58) **Field of Classification Search**
USPC D99/28, 34, 35, 36, 43, 99; 109/1 R, 1 V, 109/2, 45, 49.5, 52, 58, 59 R, 78; 206/0.8, 206/0.81, 0.815, 0.82, 317, 527; 902/9
CPC . F42B 35/00; E05G 2700/00; E05G 2700/02; E05G 2700/04; G07D 11/0006; G07D 11/0009; G07D 9/02; G07D 9/002; G07D 11/00; G07D 9/06; G07F 9/06; A47B 63/065; A45C 1/12; A45C 2001/125
See application file for complete search history.

(56) **References Cited**

U.S. PATENT DOCUMENTS

D393,526 S *	4/1998	Robey	D3/281
D474,596 S *	5/2003	Osiecki	D3/273
D485,041 S *	1/2004	Paris	D99/28
D485,042 S *	1/2004	Paris	D99/28
D485,419 S *	1/2004	Paris	D99/28
D485,960 S *	1/2004	Paris	D99/43
D488,910 S *	4/2004	Lynch	D99/43
D495,113 S *	8/2004	Lynch	D6/705.5
D498,895 S *	11/2004	Lynch	D99/28
D503,255 S *	3/2005	Lynch	D6/705.5
D509,688 S *	9/2005	Lynch	D6/705.5

D541,045 S *	4/2007	Peart	D3/291
D542,529 S *	5/2007	Peart	D3/276
D558,977 S *	1/2008	Peart	D3/294
D561,994 S *	2/2008	Peart	D3/291
D617,974 S *	6/2010	Alfeld, Sr.	D99/28
D624,275 S *	9/2010	Min	D99/28
D635,324 S *	3/2011	Plato	D99/28
7,918,362 B2 *	4/2011	Schmitt	B65D 55/145 220/324
D645,224 S *	9/2011	Hunt	D99/43
D654,655 S *	2/2012	Hunt	D99/43
D664,325 S *	7/2012	Hunt	D99/43
D671,705 S *	11/2012	Edmondson	D99/28
D688,024 S *	8/2013	Metlen	D99/28
D715,015 S *	10/2014	Measom	D99/43
D719,344 S *	12/2014	Miller	D3/203.1
D724,814 S *	3/2015	Scheib	D99/34
D732,264 S *	6/2015	Hine	D99/28
D732,265 S *	6/2015	Osiecki	D99/28
2008/0196637 A1 *	8/2008	Howell	E05G 1/005 109/38

* cited by examiner

Primary Examiner — Elizabeth J Oswecki
(74) *Attorney, Agent, or Firm* — Dentons US LLP

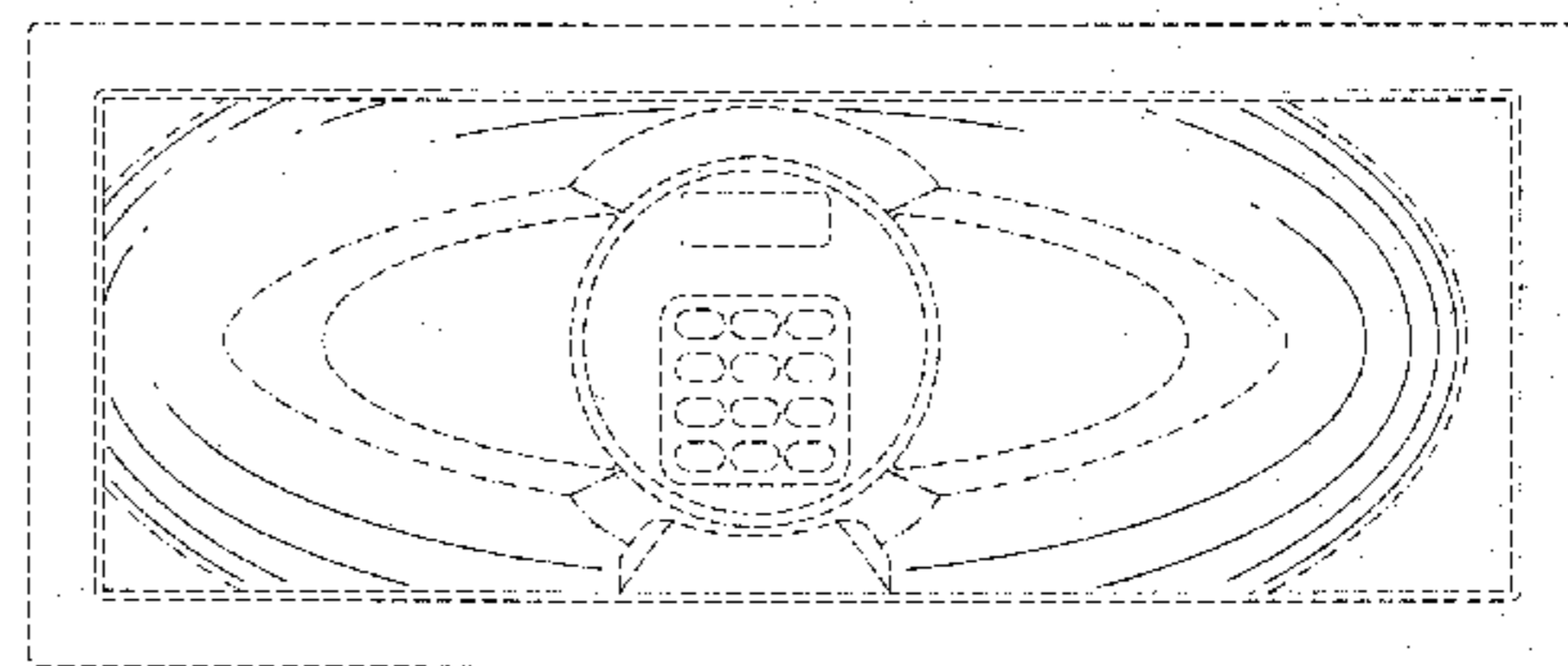
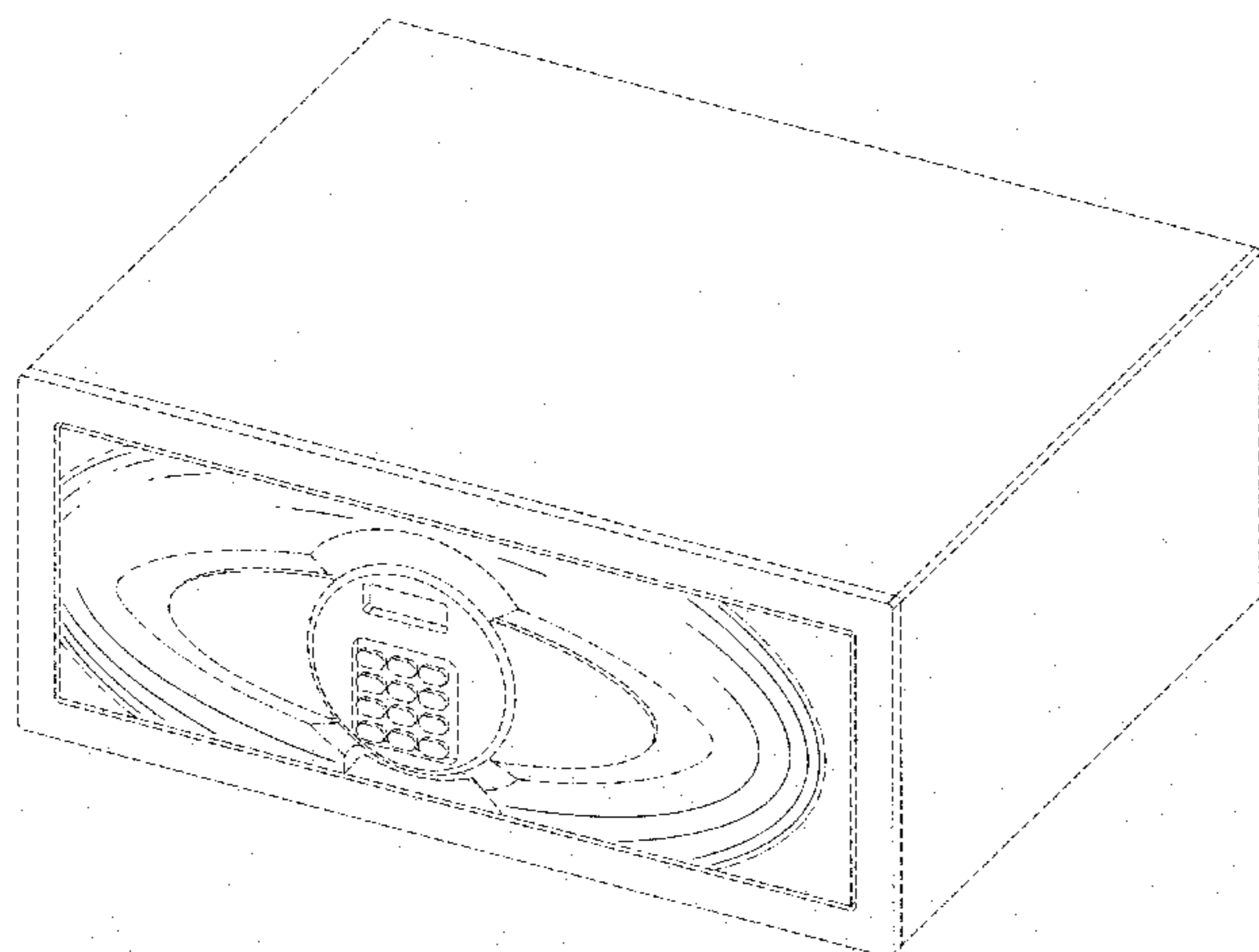
(57) **CLAIM**

The ornamental design for a 3D front panel of a lock box, as shown and described.

DESCRIPTION

FIG. 1 is a perspective view of a 3D front panel of a lock box showing my new design;
 FIG. 2 is a front view thereof;
 FIG. 3 is a rear view thereof;
 FIG. 4 is a left side view thereof;
 FIG. 5 is a right side view thereof;
 FIG. 6 is a top view thereof; and,
 FIG. 7 is a bottom view thereof.
 The broken lines shown in the drawings represent portions of the 3D front panel of a lock box that form no part of the claimed design.

1 Claim, 5 Drawing Sheets



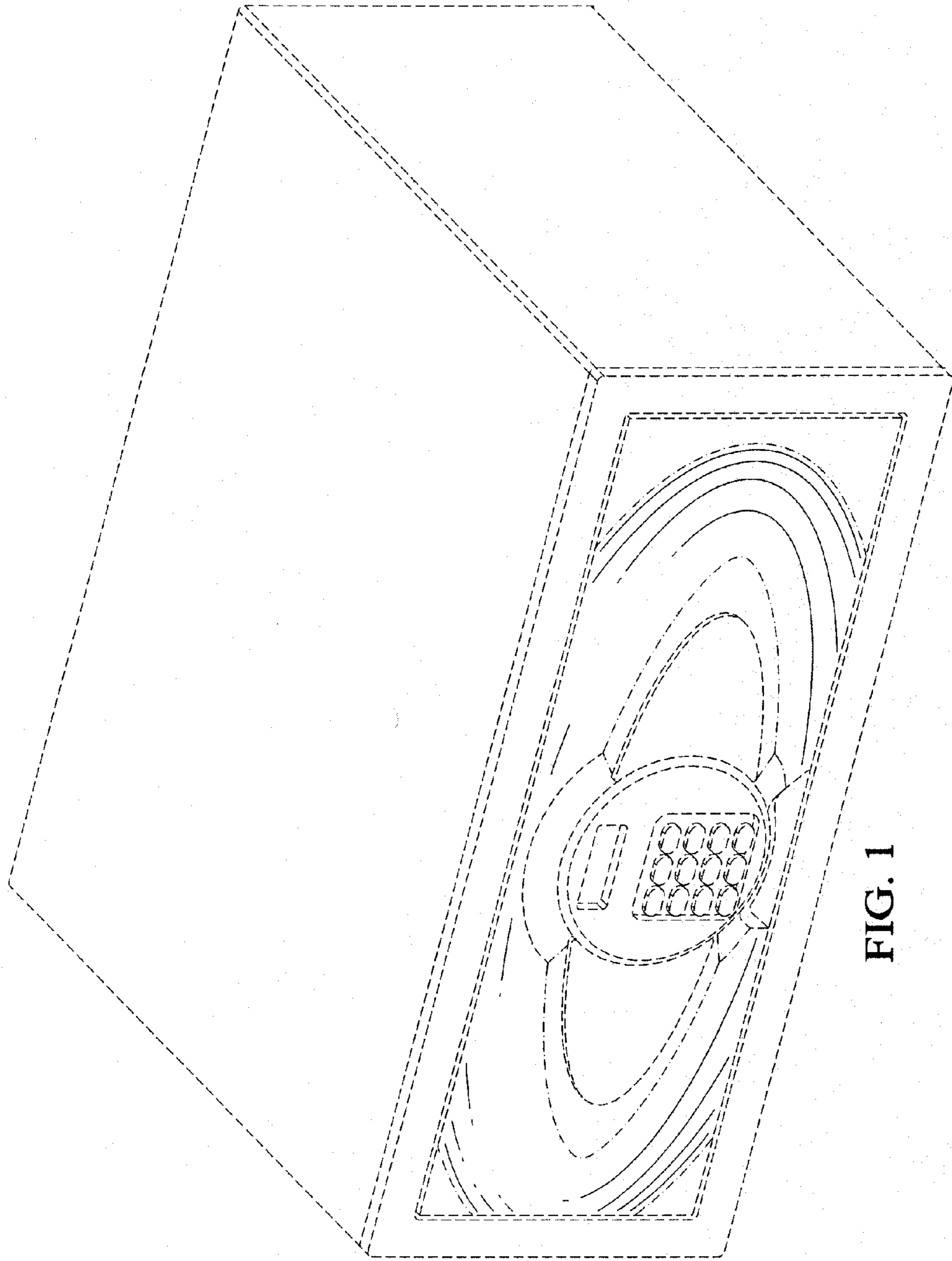


FIG. 1

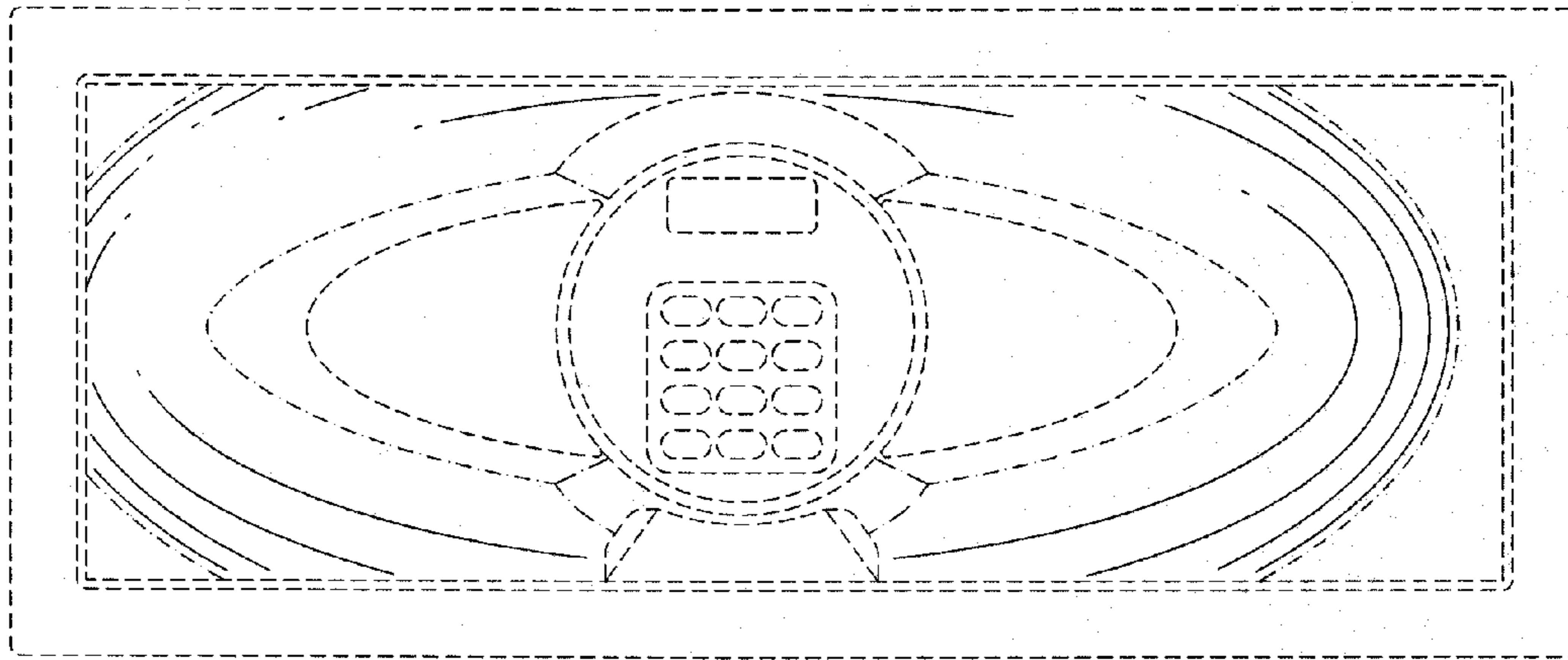


FIG. 2

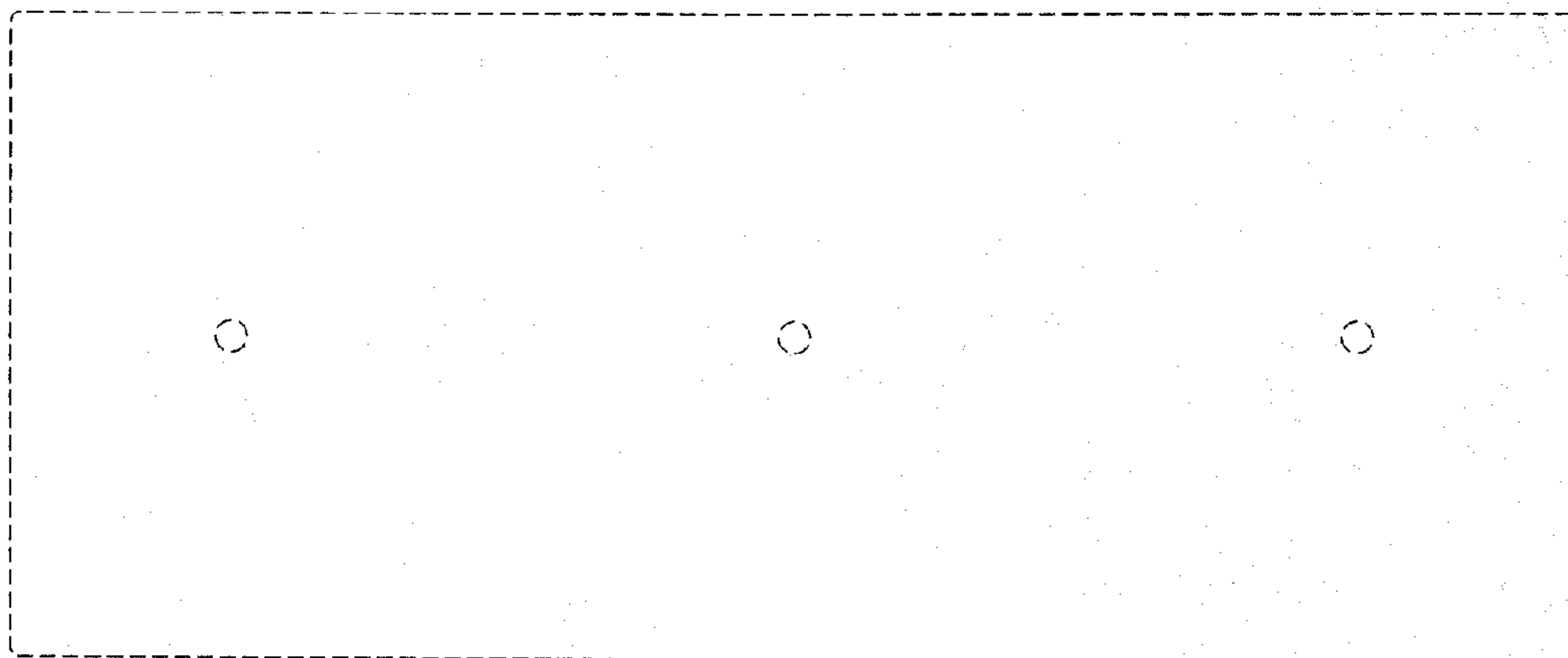


FIG. 3

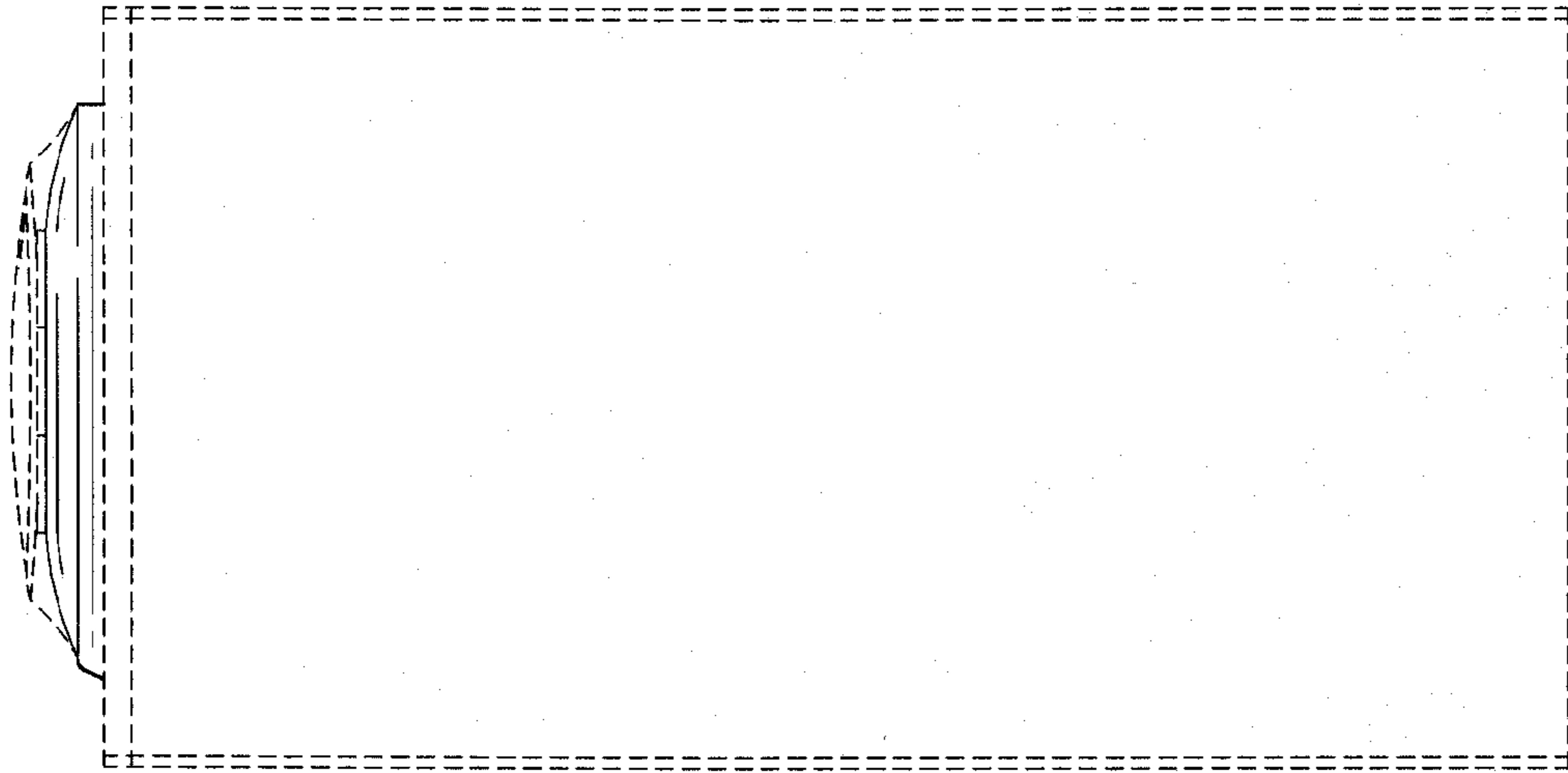


FIG. 4

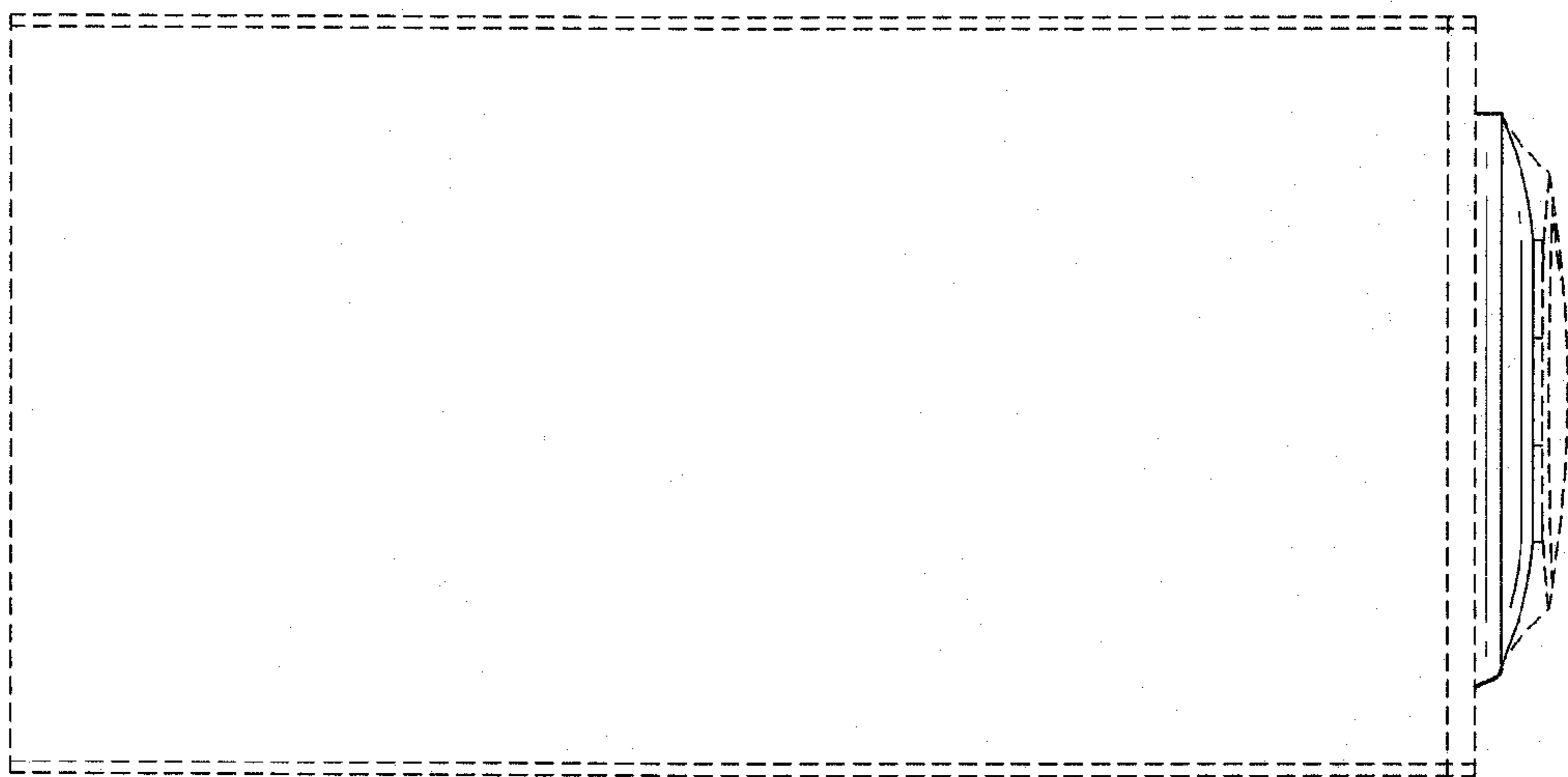


FIG. 5

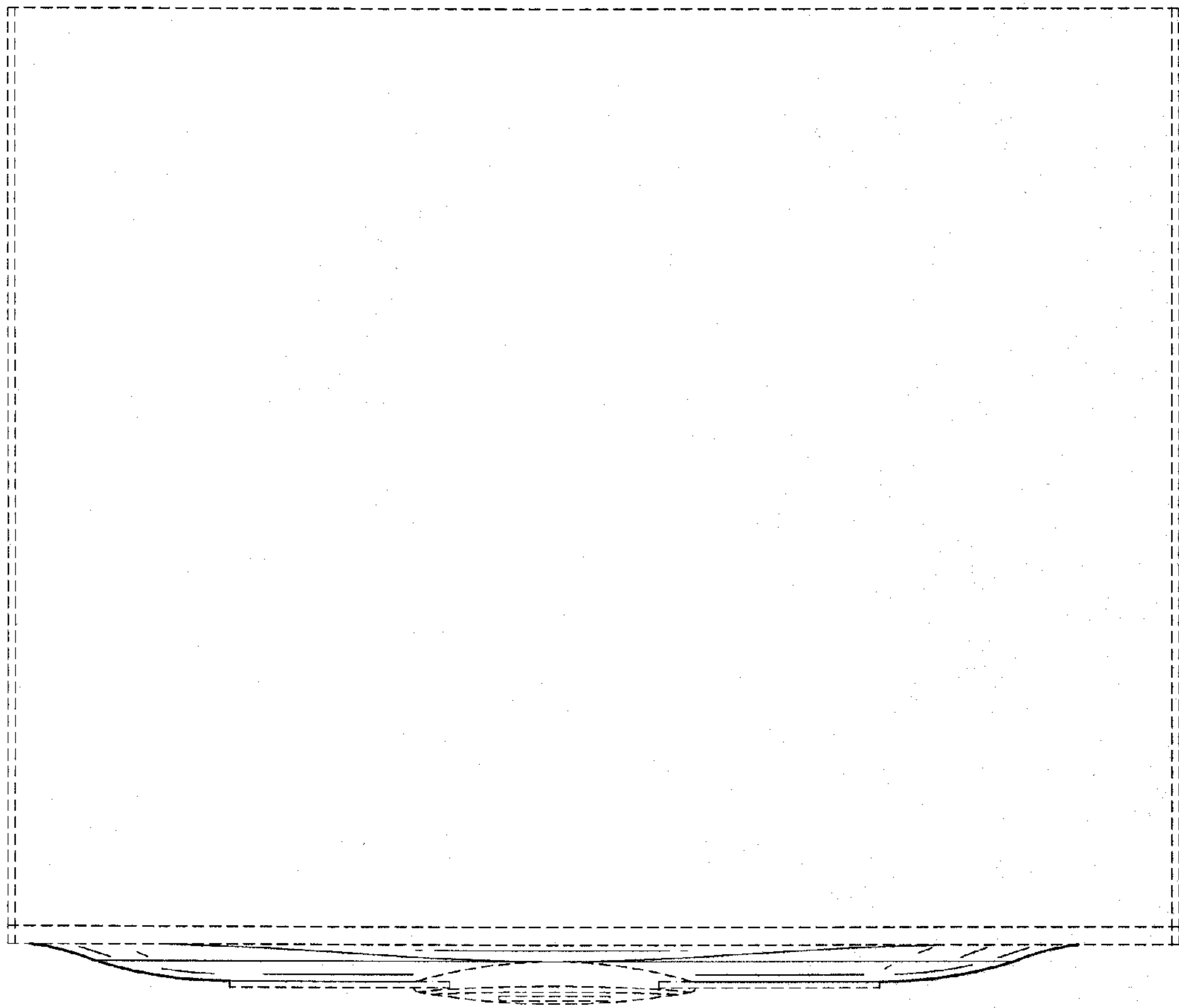


FIG. 6

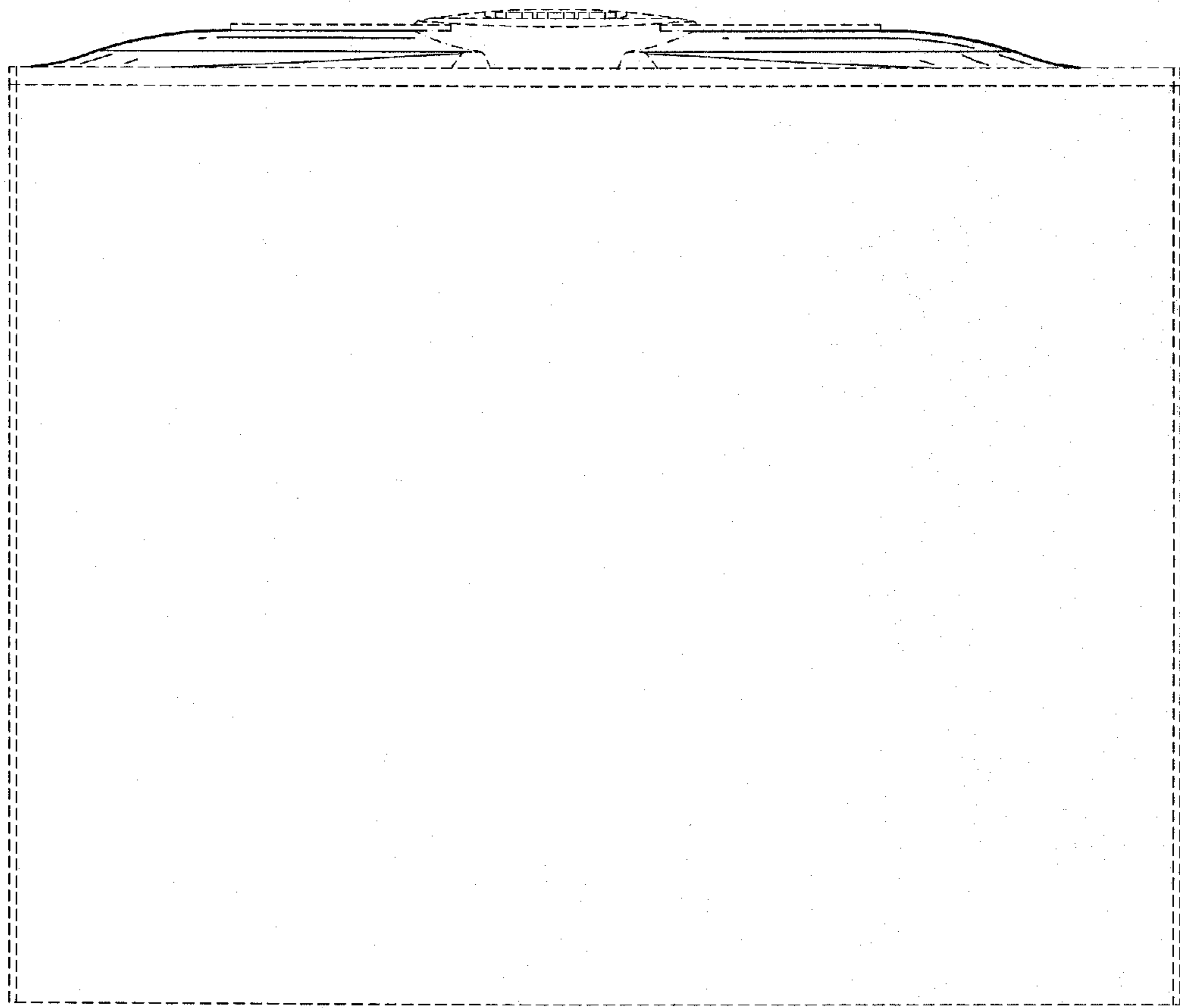


FIG. 7