



US00D759336S

(12) **United States Design Patent**  
**Piispanen**

(10) **Patent No.:** **US D759,336 S**  
(45) **Date of Patent:** **\*\* Jun. 14, 2016**

(54) **WIRE ROPE HOIST**

(71) Applicant: **Konecranes Plc**, Hyvinkää (FI)

(72) Inventor: **Tatu Johannes Piispanen**, Helsinki (FI)

(73) Assignee: **Konecranes Global Corporation** (FI)

(\*\*) Term: **14 Years**

(21) Appl. No.: **29/518,733**

(22) Filed: **Feb. 26, 2015**

(30) **Foreign Application Priority Data**

Aug. 29, 2014 (FI) ..... 002527549-0001

(51) **LOC (10) Cl.** ..... **12-05**

(52) **U.S. Cl.**  
USPC ..... **D34/33**

(58) **Field of Classification Search**

USPC ..... D34/28, 23, 33; 280/490.1; 254/266  
CPC ..... B66D 1/46; B66D 1/36; B66D 1/04;  
B66D 1/12; B66D 1/14; B66D 1/20; B66D  
1/225; B66D 1/30; B66D 1/34; B66D 1/485;  
B66D 3/18; B66D 3/20; B66D 3/04; B66D  
3/16; B66D 3/06

See application file for complete search history.

(56) **References Cited**

**U.S. PATENT DOCUMENTS**

2,175,037 A \* 10/1939 Smith ..... B66D 3/18  
254/362  
3,032,016 A \* 5/1962 Smith ..... B66D 3/18  
251/58  
3,960,362 A \* 6/1976 Griffiths ..... B66D 3/24  
254/276  
3,971,971 A \* 7/1976 Wycoff ..... B66D 3/20  
318/743  
4,462,570 A \* 7/1984 Gagnet ..... B66D 1/58  
254/268  
4,635,903 A \* 1/1987 Broyden ..... B66D 3/26  
174/DIG. 12

D309,969 S \* 8/1990 Tamura ..... D34/28  
5,899,441 A \* 5/1999 Kuivamaki ..... F16D 67/06  
192/90  
D411,364 S \* 6/1999 Sasaki ..... D34/33  
6,105,939 A \* 8/2000 Vance ..... B66D 1/36  
254/405  
6,209,852 B1 \* 4/2001 George ..... B66D 3/18  
254/270  
D540,003 S \* 4/2007 Hagihara ..... D34/33  
7,344,121 B1 \* 3/2008 Pan ..... B66D 1/58  
254/346  
D571,973 S \* 6/2008 Burns ..... D34/33  
8,096,528 B2 \* 1/2012 Weingartner ..... F16H 55/303  
254/358  
D655,883 S \* 3/2012 Hiroshima ..... D34/33  
D674,163 S \* 1/2013 Tarkiainen ..... D34/33  
D677,853 S \* 3/2013 Gans ..... D34/33  
D679,474 S \* 4/2013 Beaussart ..... D34/33  
D704,411 S \* 5/2014 Ishikawa ..... D34/33  
D704,412 S \* 5/2014 Ishikawa ..... D34/33  
D706,514 S \* 6/2014 Weingartner ..... D34/33  
D744,188 S \* 11/2015 van der Zijde ..... D34/33  
2012/0187356 A1 \* 7/2012 Lawson ..... B66D 3/26  
254/266

\* cited by examiner

*Primary Examiner* — Cynthia Ramirez

(74) *Attorney, Agent, or Firm* — Clinton H. Wilkinson;  
Charles A. Wilkinson

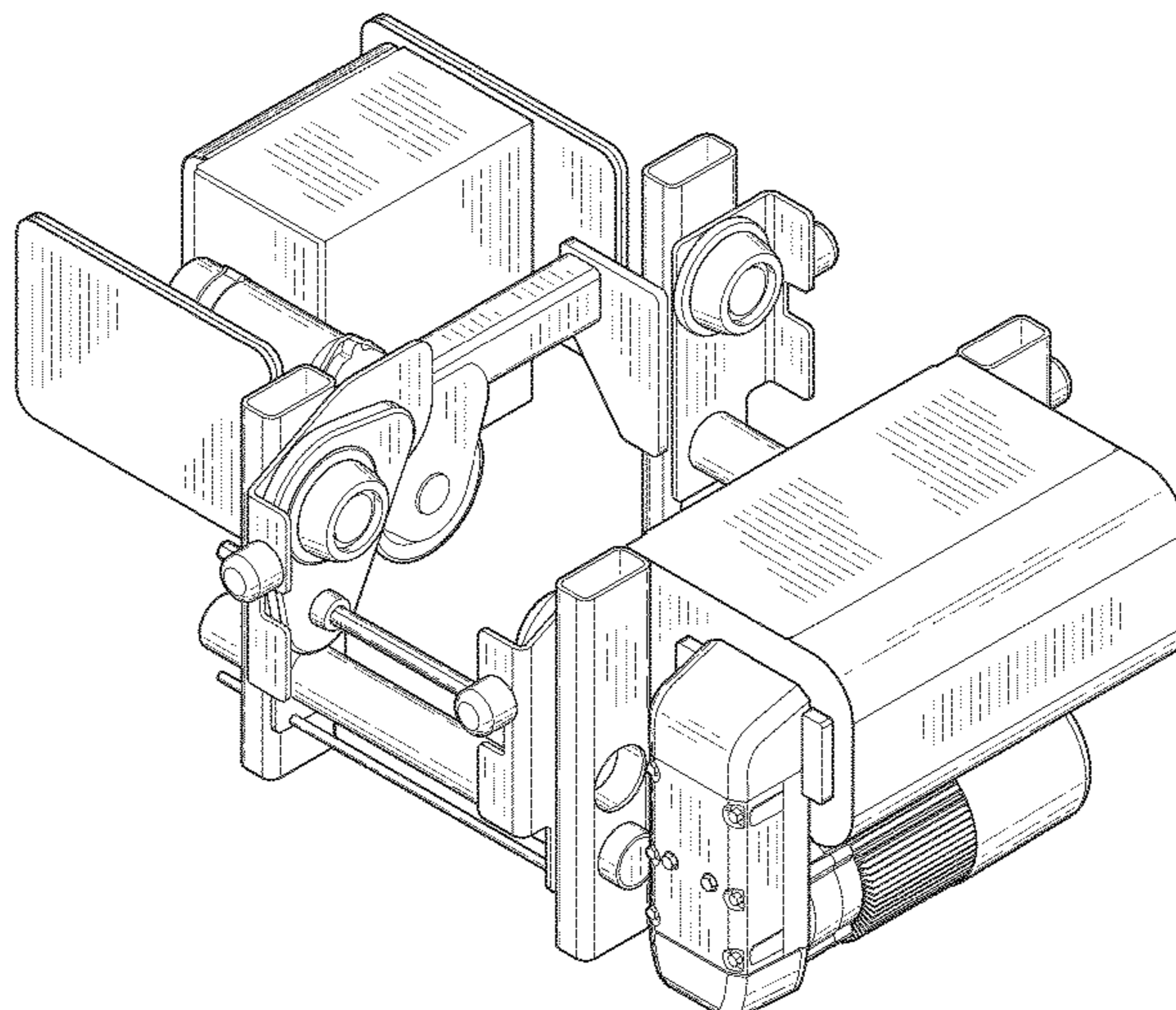
(57) **CLAIM**

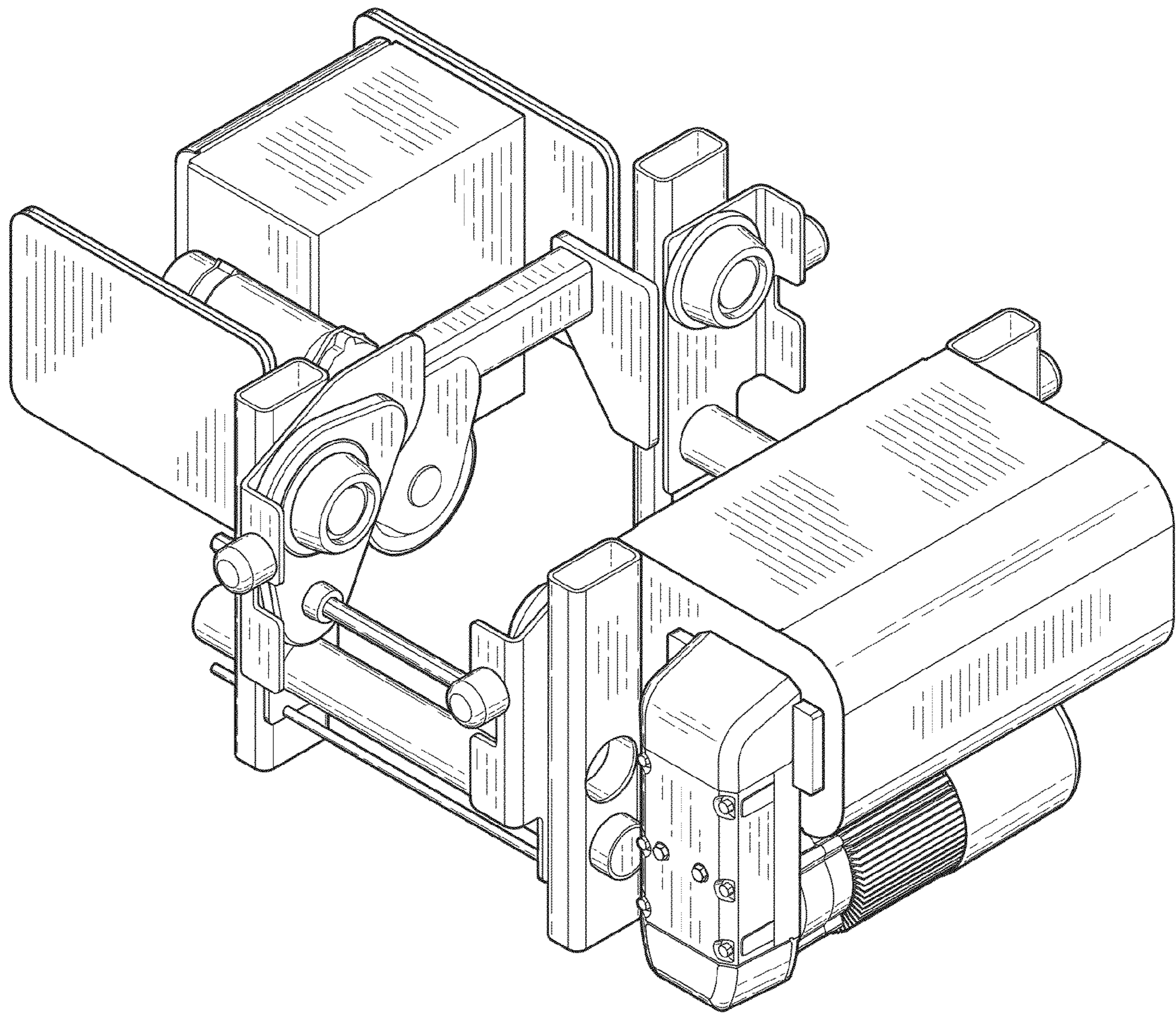
The ornamental design for a wire rope hoist, as shown and described.

**DESCRIPTION**

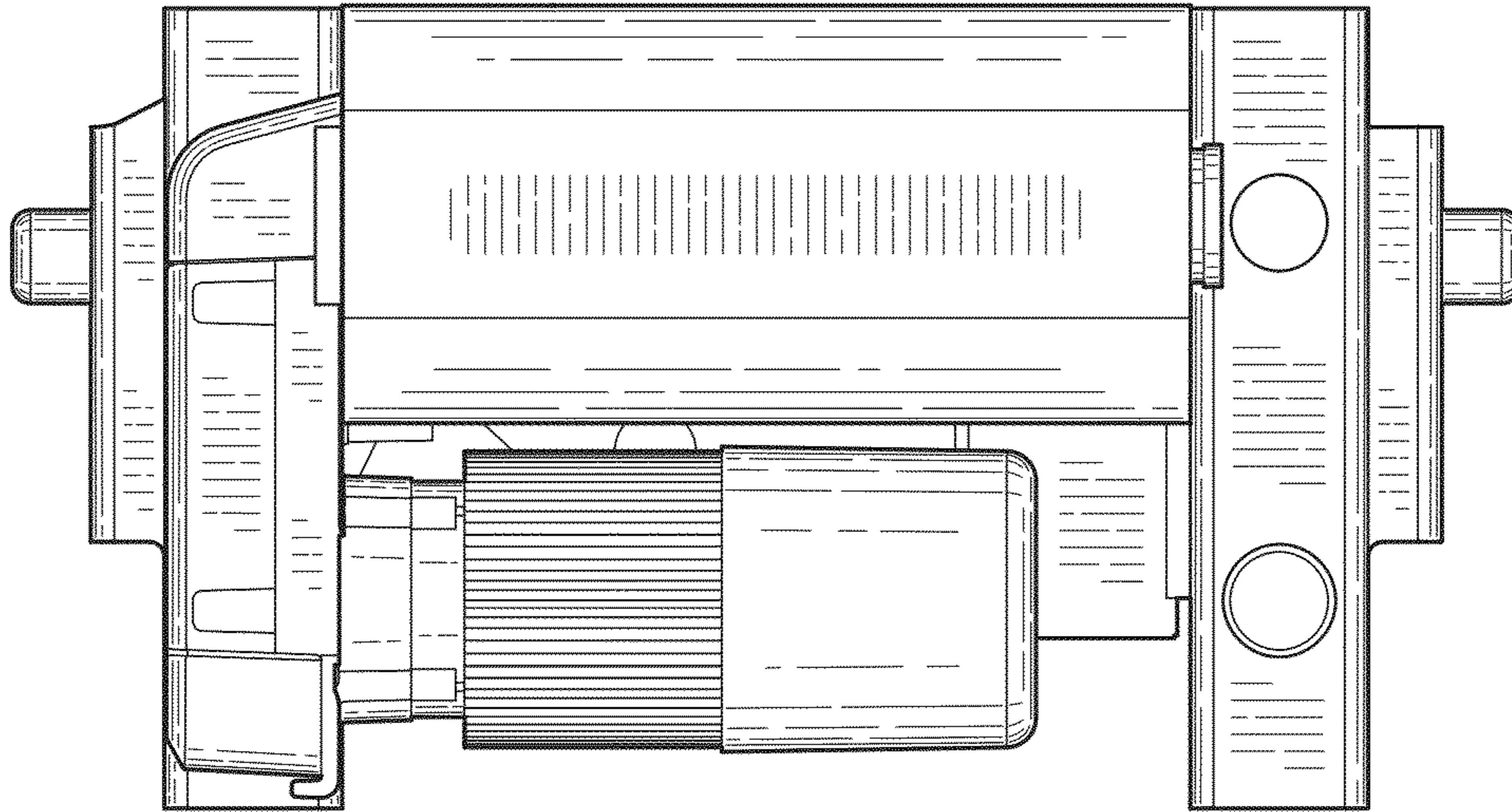
FIG. 1 is an isometric view of a wire rope hoist showing our new design;  
FIG. 2 is a front elevation view thereof;  
FIG. 3 is a back elevation view thereof;  
FIG. 4 is a left side view thereof;  
FIG. 5 is a right side view thereof;  
FIG. 6 is a top view thereof; and,  
FIG. 7 is a bottom view thereof.

**1 Claim, 5 Drawing Sheets**

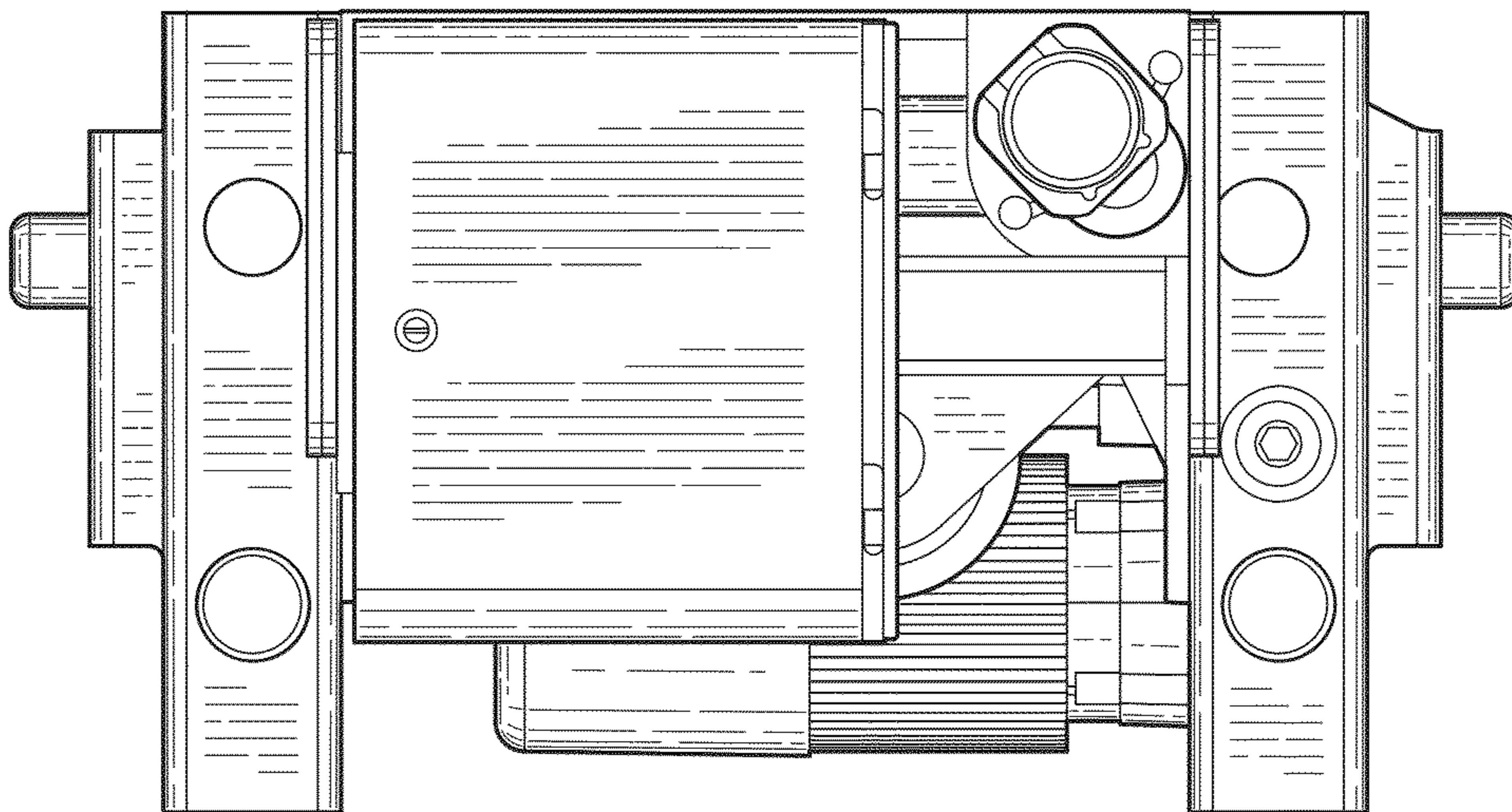




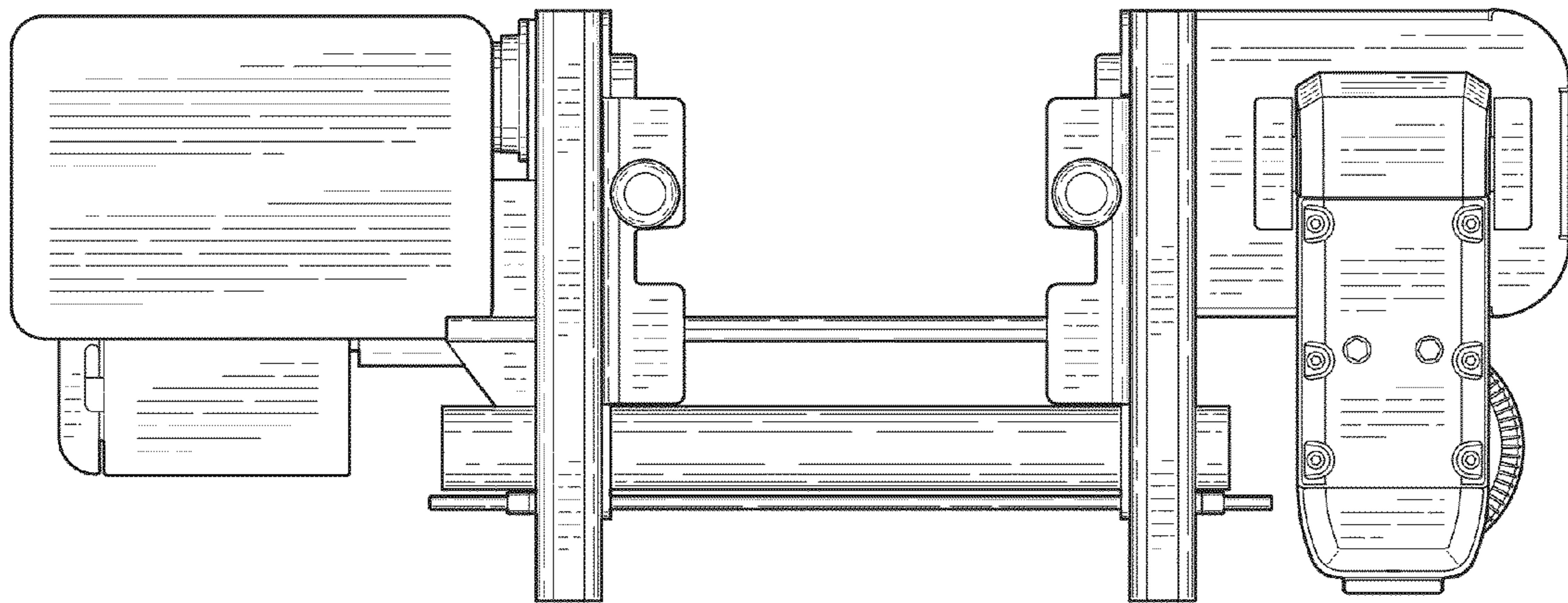
*FIG. 1*



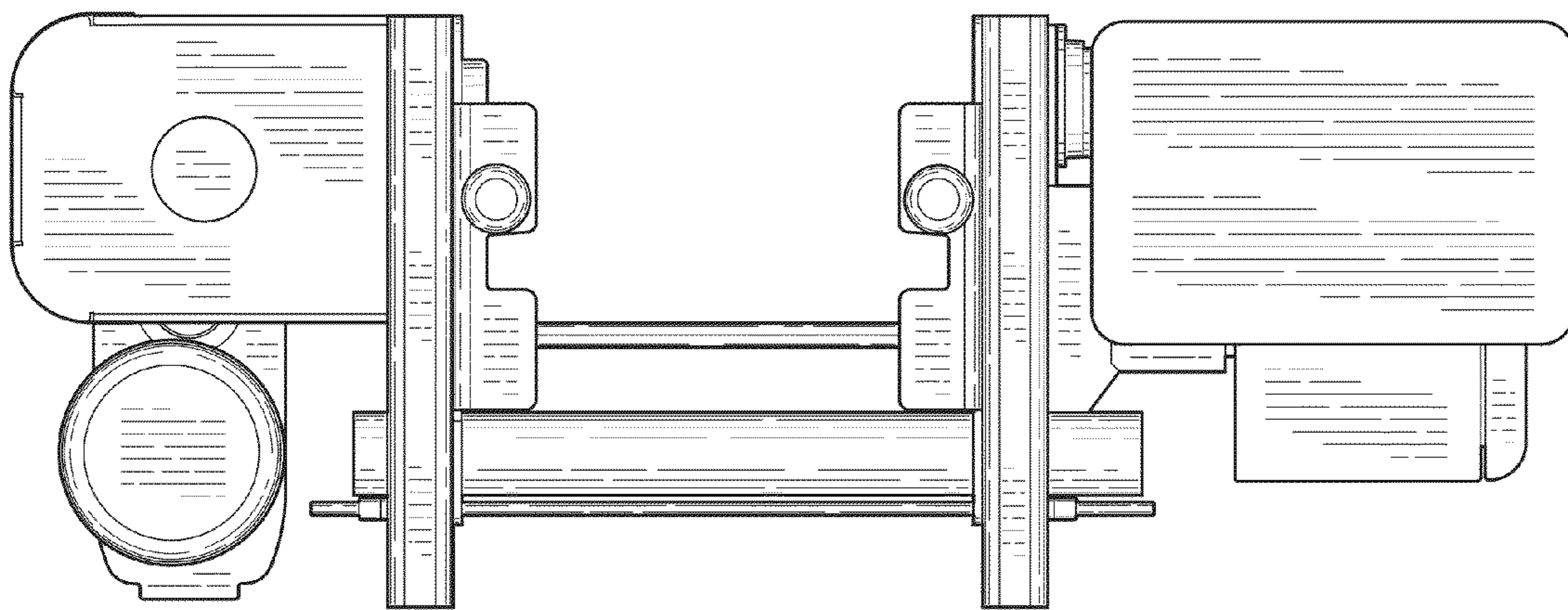
*FIG. 2*



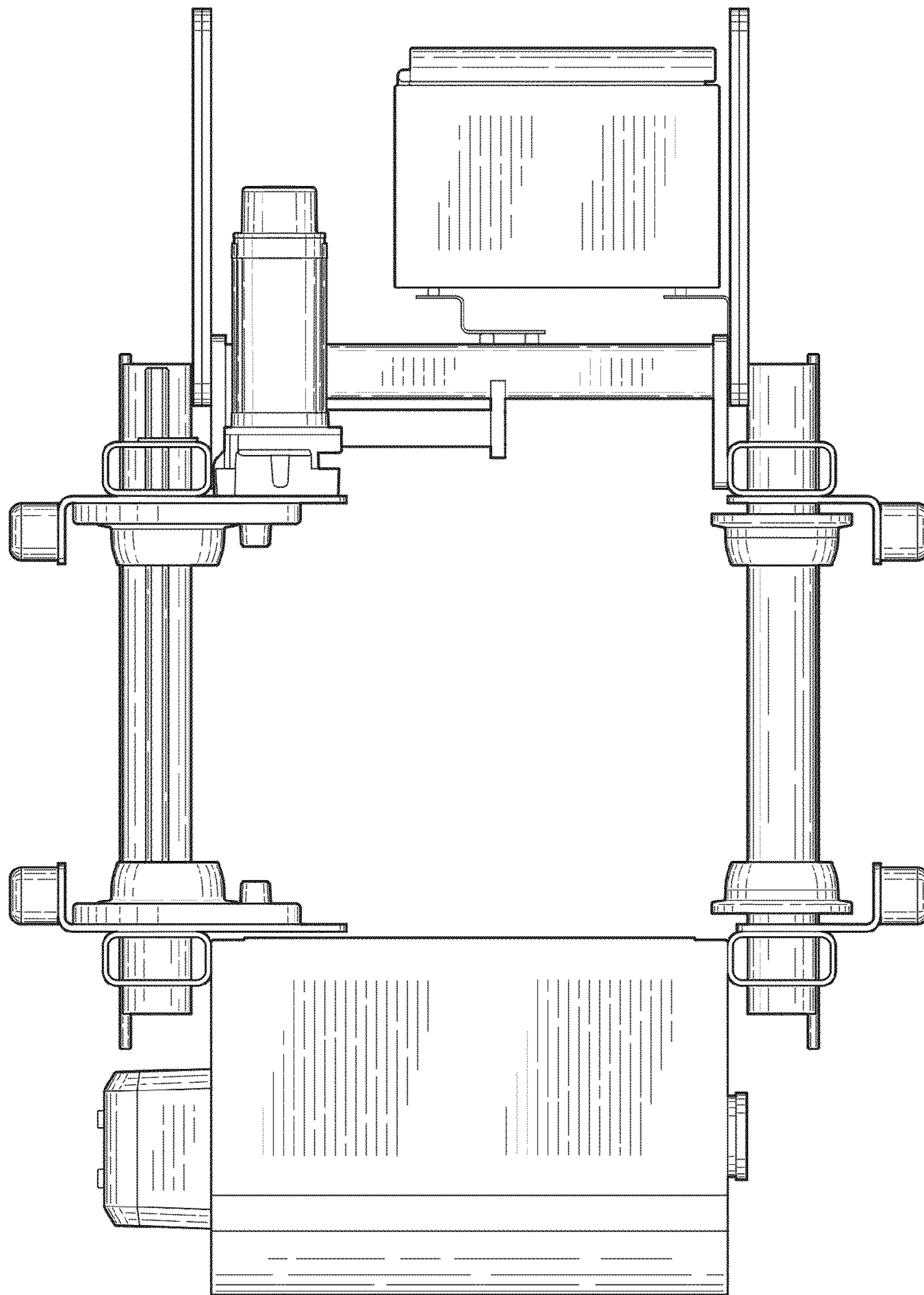
*FIG. 3*



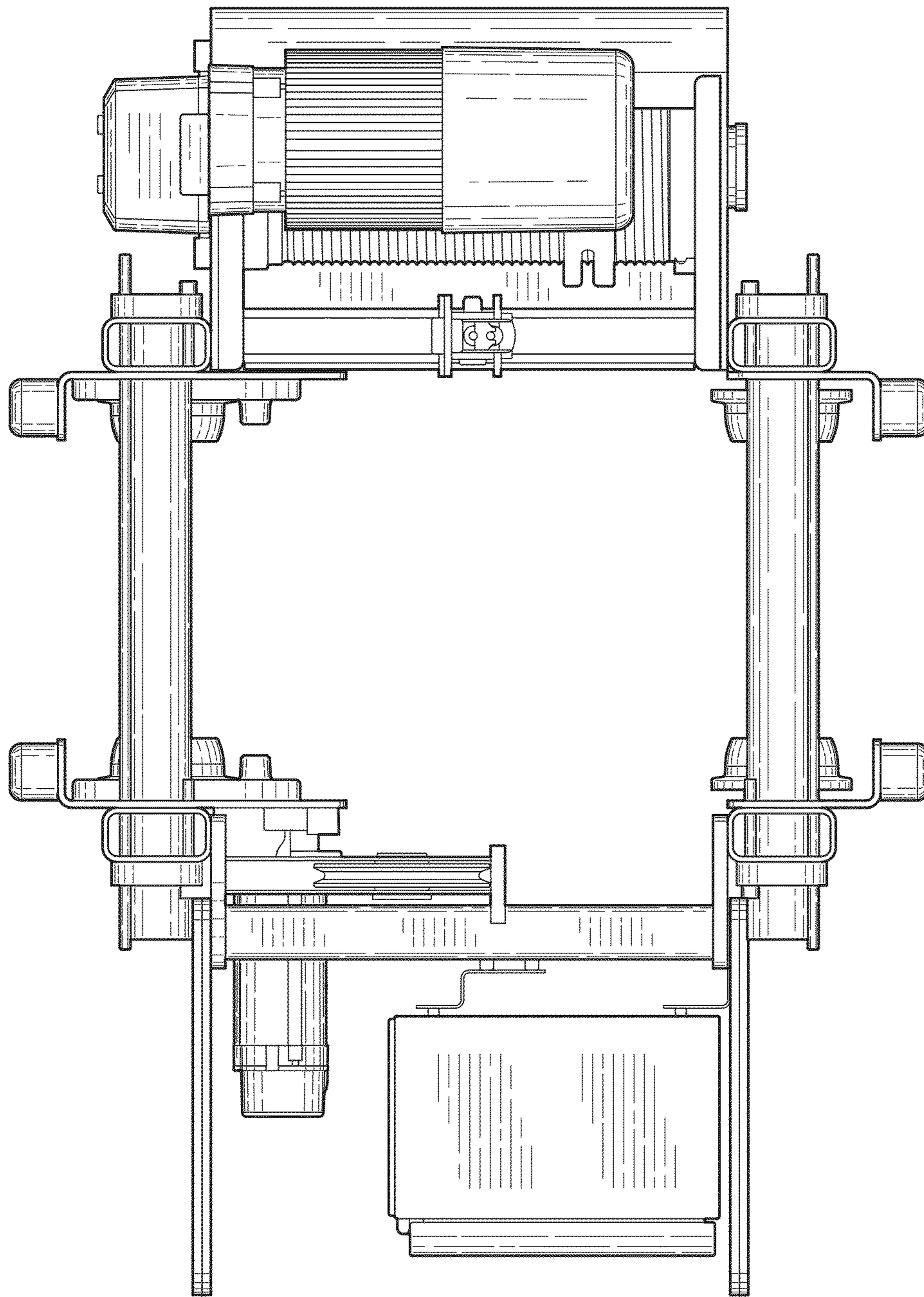
*FIG. 4*



*FIG. 5*



*FIG. 6*



*FIG. 7*