



US00D759335S

(12) **United States Design Patent**
Kim et al.

(10) **Patent No.:** **US D759,335 S**
(45) **Date of Patent:** **** Jun. 14, 2016**

(54) **GIMBAL**

(56) **References Cited**

(71) Applicant: **SZ DJI TECHNOLOGY CO., LTD.**,
Shenzhen (CN)

U.S. PATENT DOCUMENTS

(72) Inventors: **Min Kim**, Shenzhen (CN); **Paul Pan**,
Shenzhen (CN); **Yan-Chong Zhao**,
Shenzhen (CN); **Hao Liu**, Shenzhen
(CN)

D348,134 S * 6/1994 McCause D34/28
5,632,475 A * 5/1997 McCause B25H 1/0007
254/134
6,116,577 A * 9/2000 McCause B66F 9/08
254/2 B
8,094,414 B1 * 1/2012 Cheng G11B 5/4826
360/244.5
D676,213 S * 2/2013 Dyrvall D34/28
9,196,274 B2 * 11/2015 Stephan G11B 5/48

(73) Assignee: **SZ DJI TECHNOLOGY CO., LTD.**,
Shenzhen (CN)

* cited by examiner

(**) Term: **14 Years**

Primary Examiner — Cynthia Ramirez

(21) Appl. No.: **29/513,070**

(74) *Attorney, Agent, or Firm* — Sterne, Kessler, Goldstein
& Fox P.L.L.C.

(22) Filed: **Dec. 25, 2014**

(57) **CLAIM**

The ornamental design for a gimbal, as shown and described.

(30) **Foreign Application Priority Data**

DESCRIPTION

Jun. 27, 2014 (CN) 2014 3 0207007

(51) **LOC (10) Cl.** **12-05**

(52) **U.S. Cl.**
USPC **D34/28**

(58) **Field of Classification Search**
USPC D34/28, 32, 33; 254/89 H, 89 R, 134,
254/93 R

CPC B66F 9/08; B25H 1/0007; G11B 5/4826
See application file for complete search history.

FIG. 1 is a perspective view of a gimbal, showing our new design;

FIG. 2 is a front elevational view thereof;

FIG. 3 is a rear elevational view thereof;

FIG. 4 is a left side elevational view thereof;

FIG. 5 is a right side elevational view thereof;

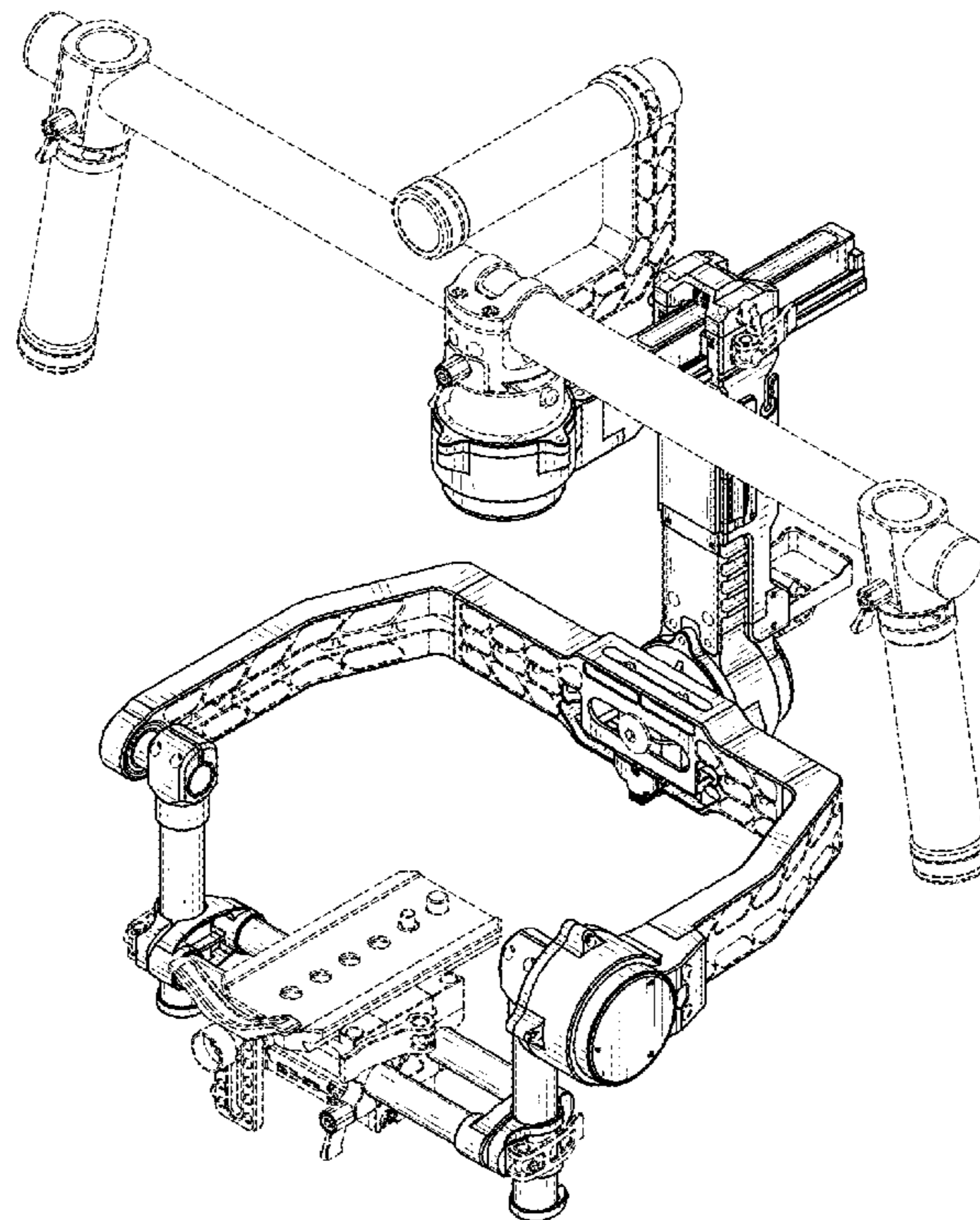
FIG. 6 is a top plan view thereof;

FIG. 7 is a bottom plan view thereof; and,

FIG. 8 is a perspective view thereof in a state of use.

The broken lines in the figures show portions of the gimbal that form no part of the claimed design.

1 Claim, 8 Drawing Sheets



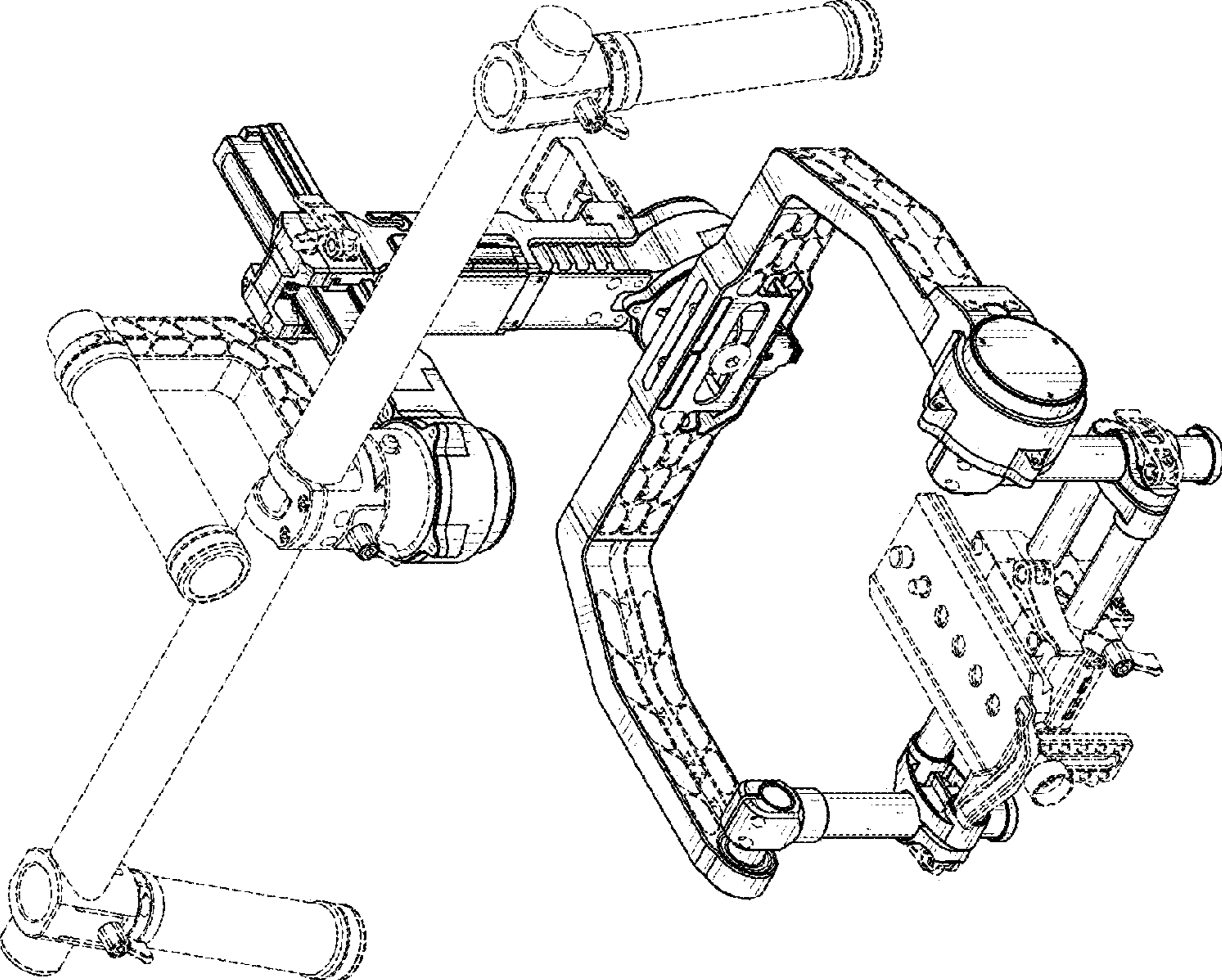


FIG. 1

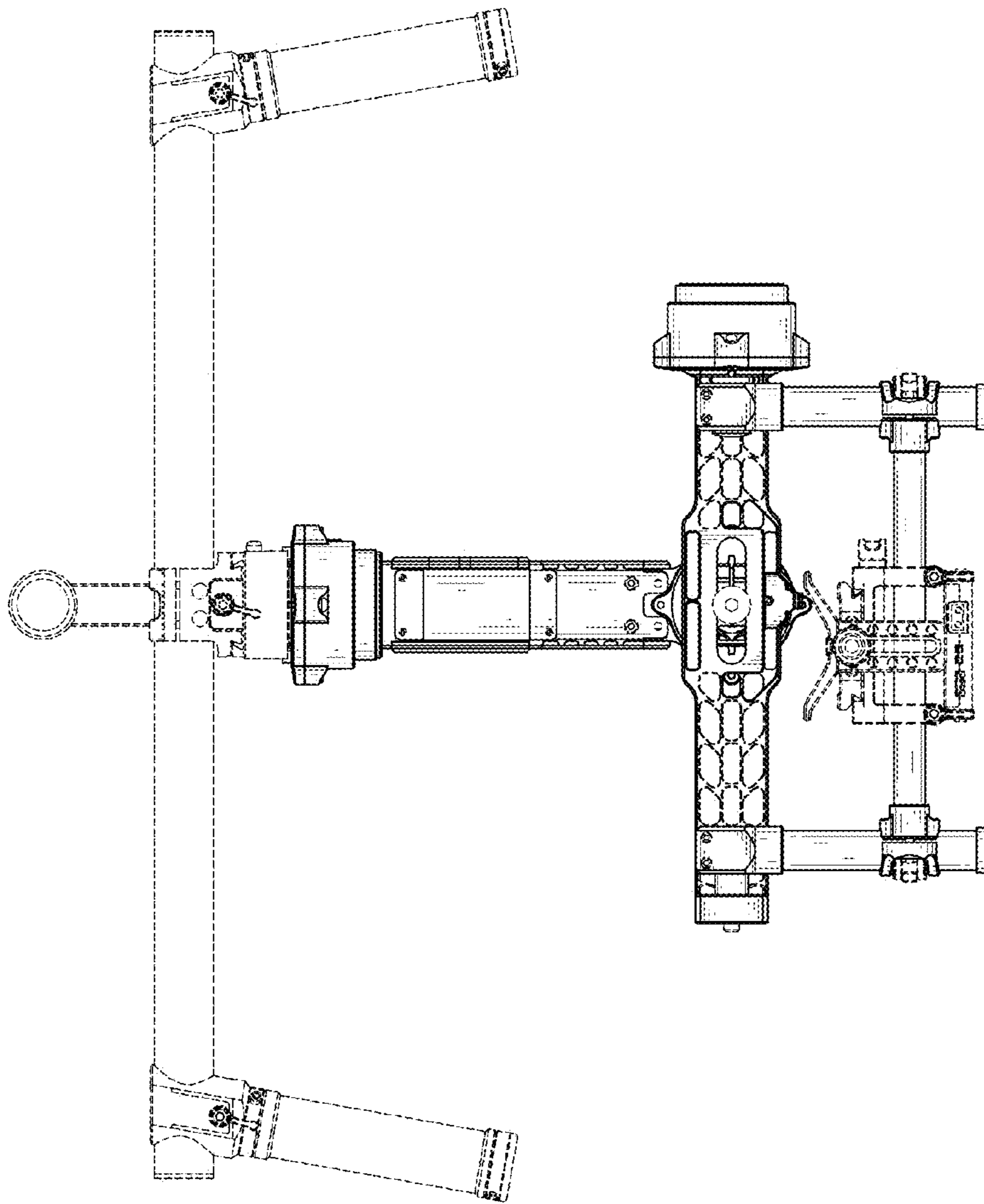


FIG. 2

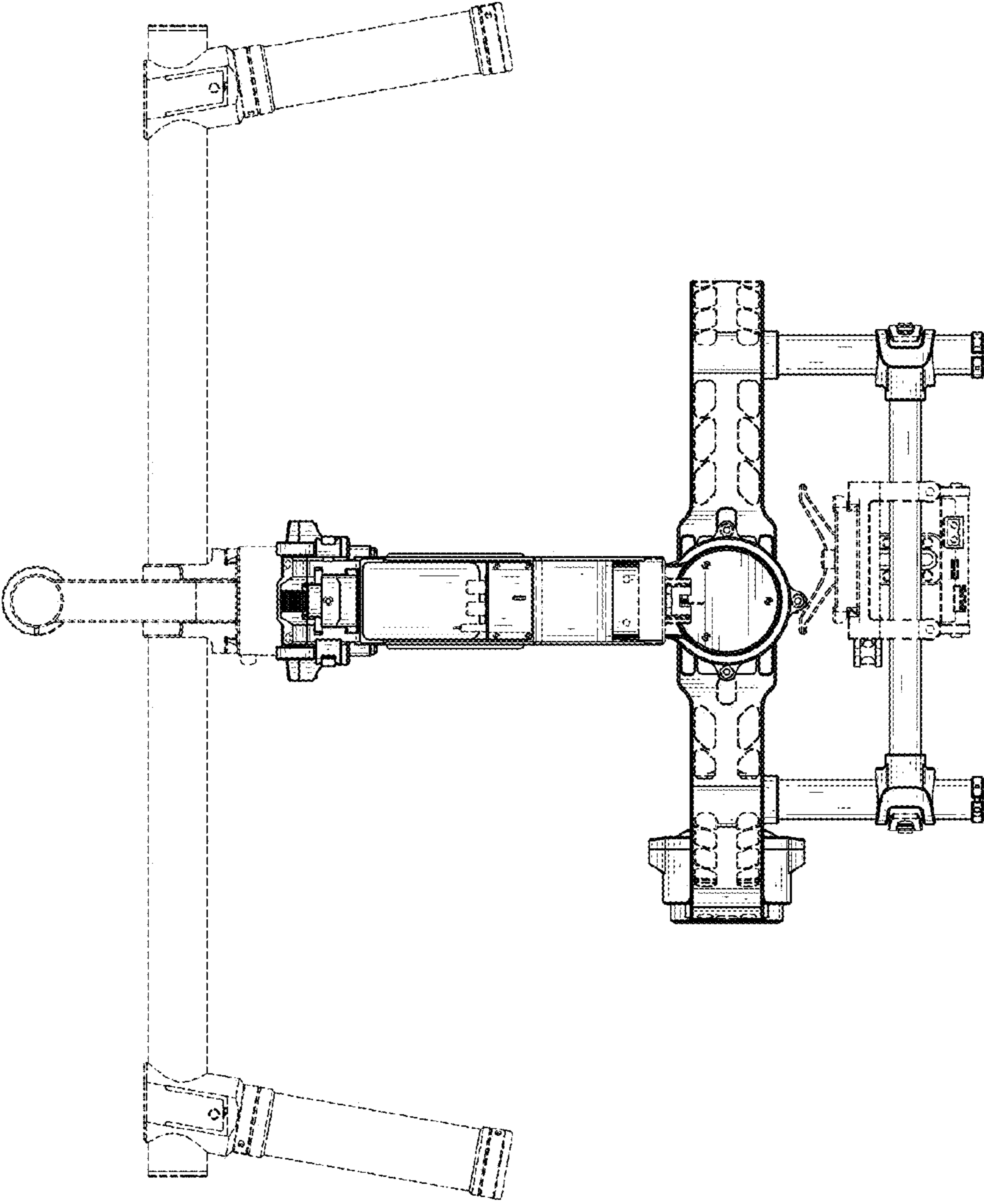


FIG. 3

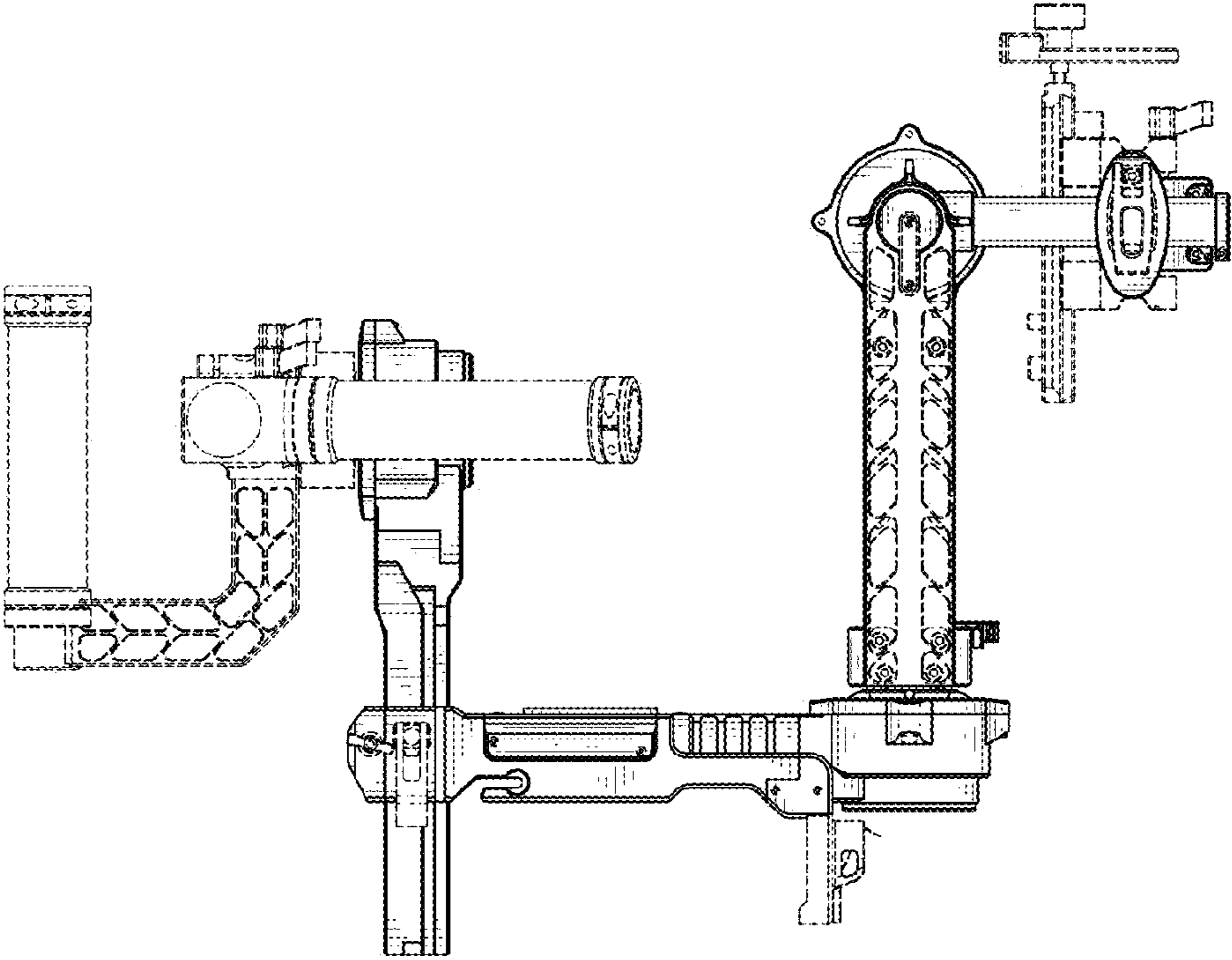


FIG. 4

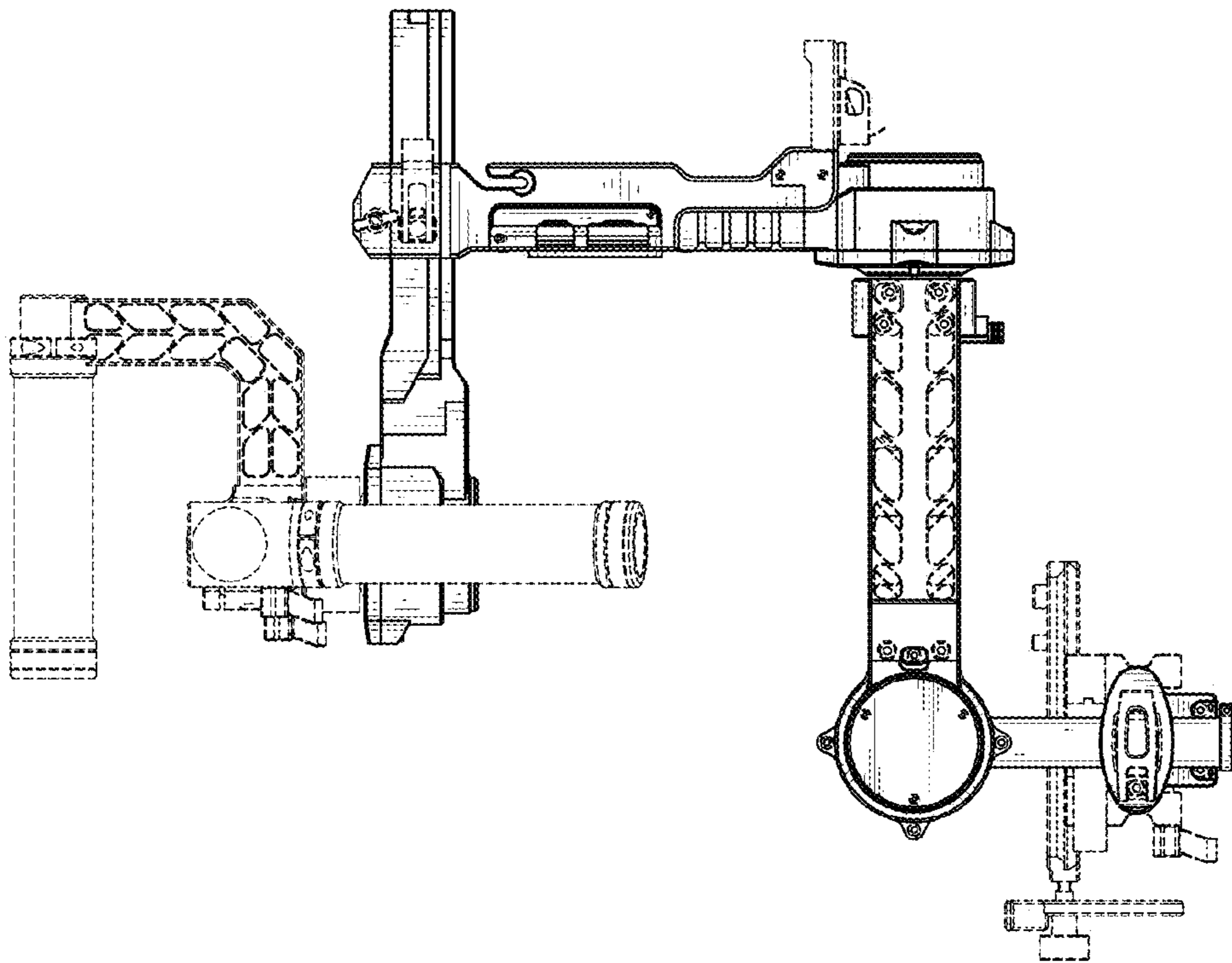


FIG. 5

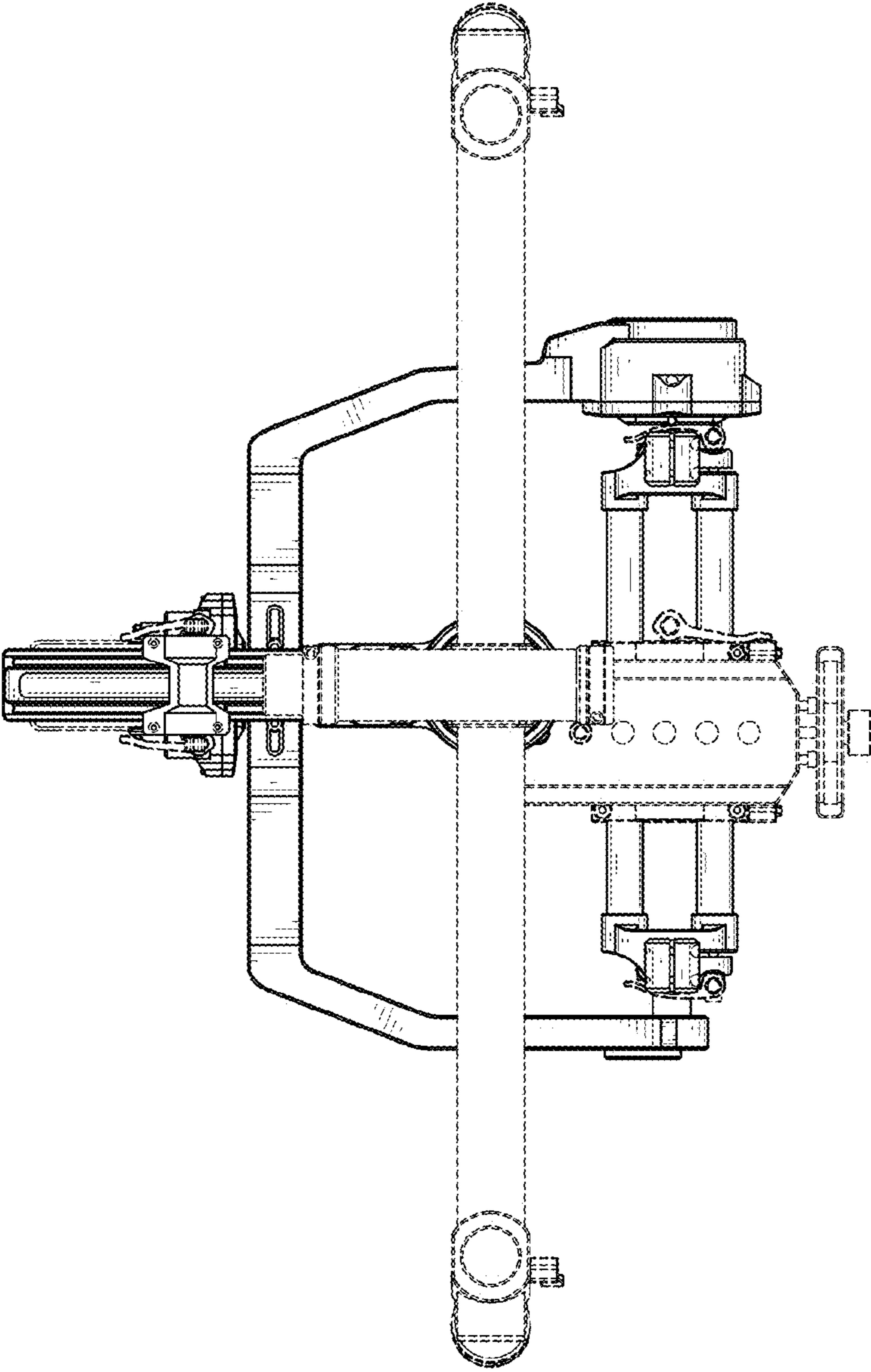


FIG. 6

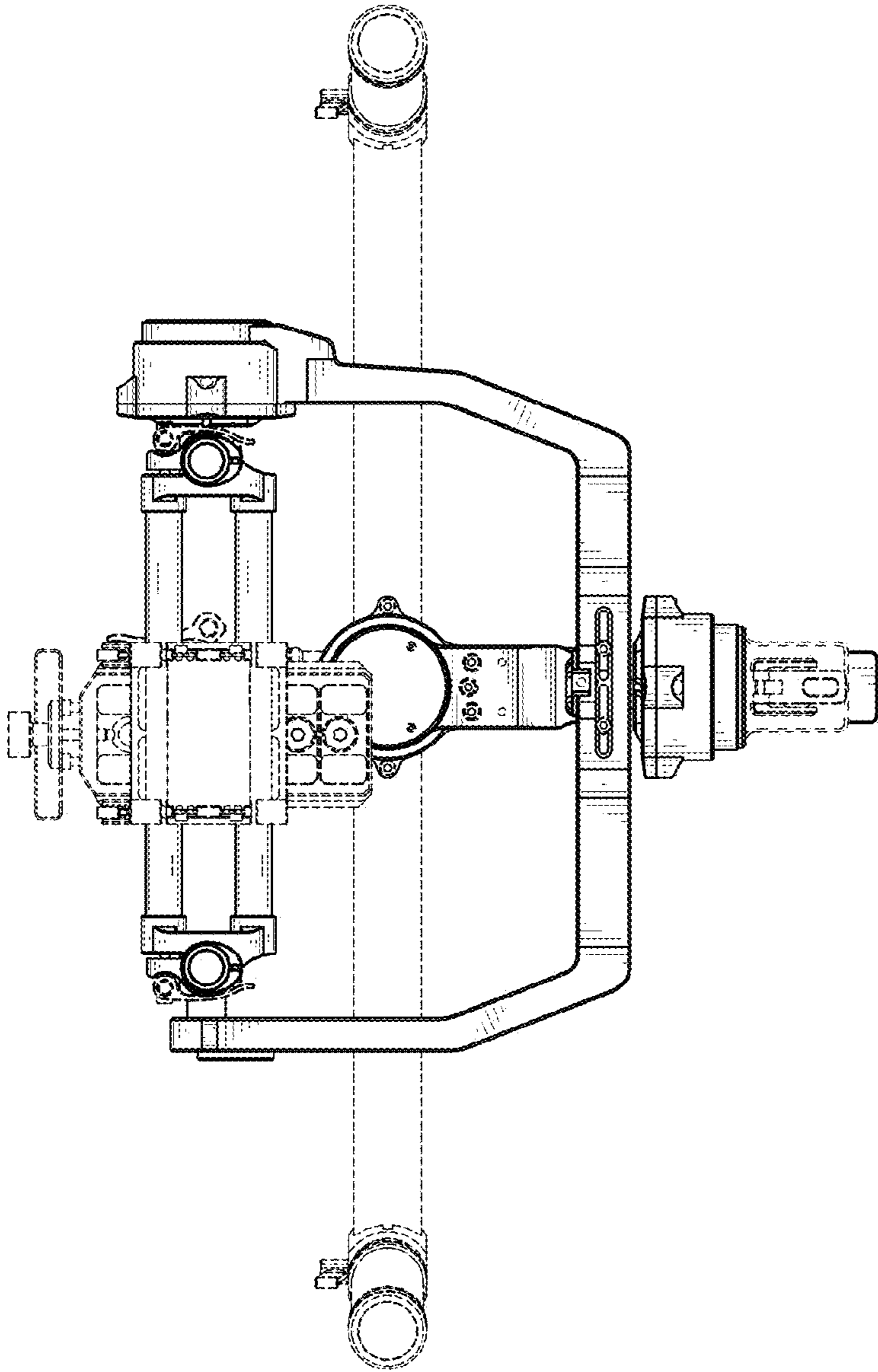


FIG. 7

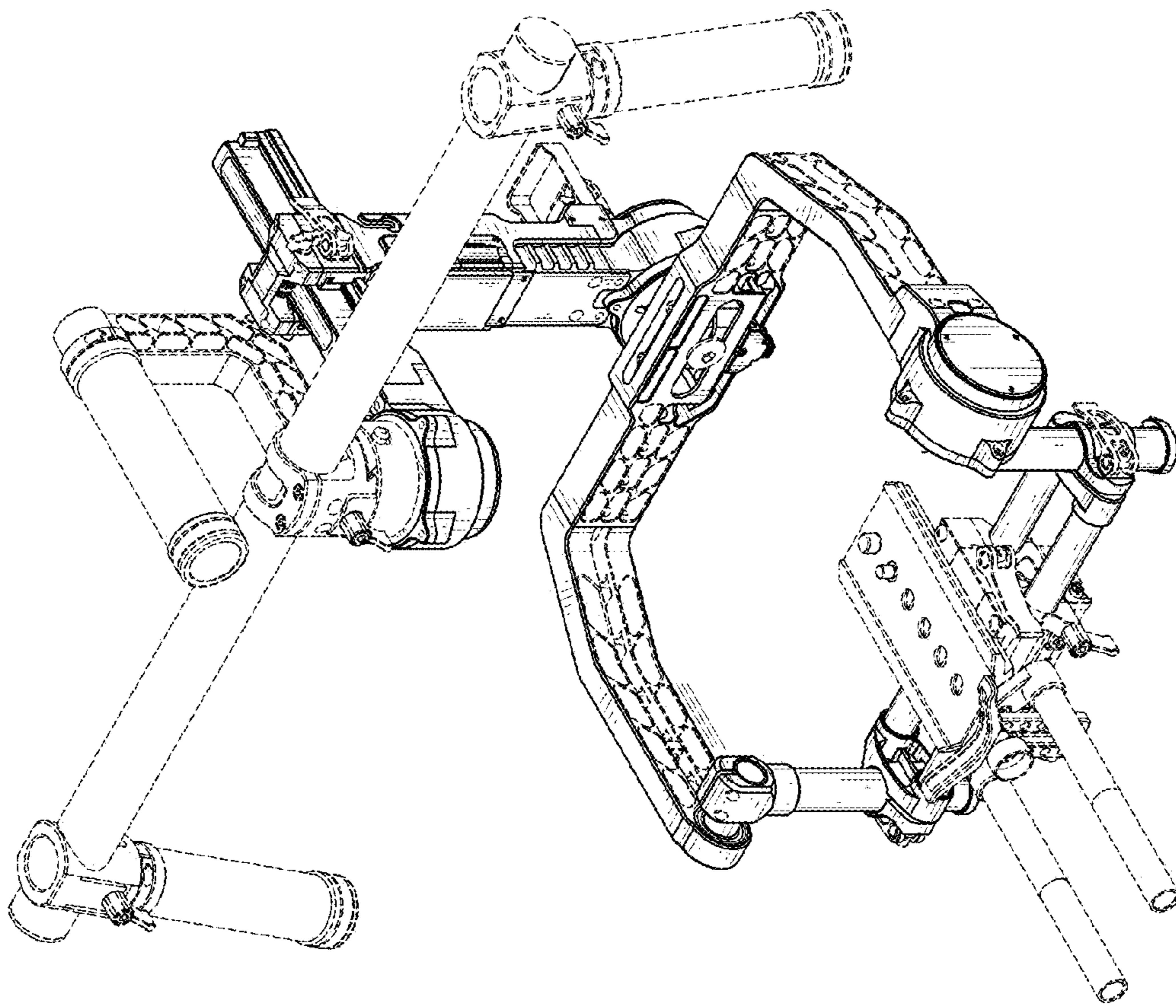


FIG. 8