



US00D759334S

(12) **United States Design Patent**
Aoki

(10) **Patent No.:** **US D759,334 S**
(45) **Date of Patent:** **** Jun. 14, 2016**

(54) **PNEUMATIC CONVEYOR**
(71) Applicant: **SINTOKOGIO, LTD.**, Nagoya-shi,
Aichi (JP)
(72) Inventor: **Yukinori Aoki**, Fukuoka (JP)
(73) Assignee: **SINTOKOGIO, LTD**, Aichi (JP)
(**) Term: **14 Years**

D584,324 S * 1/2009 Yaegashi D15/143
7,487,958 B2 * 2/2009 Wang B01F 9/0001
188/378
D605,664 S * 12/2009 Walter D15/7
D613,635 S * 4/2010 Chu D15/9
D669,097 S * 10/2012 Hariwara D15/7
D669,098 S * 10/2012 Hariwara D15/7
D674,676 S * 1/2013 Wang D8/61
D699,761 S * 2/2014 Peschel D15/7
2015/0314970 A1 * 11/2015 McIlrath B65G 53/50
406/118

(21) Appl. No.: **29/494,608**

(22) Filed: **Jun. 23, 2014**

(30) **Foreign Application Priority Data**

Jan. 10, 2014 (JP) 2014-000308

(51) **LOC (10) Cl.** **12-05**

(52) **U.S. Cl.**
USPC **D34/28**

(58) **Field of Classification Search**
USPC D34/28, 29; D15/7, 9, 147; D18/35
CPC B01F 11/0031; B65G 43/08; B65G 53/06;
B65G 53/12; B65G 53/14; B65G 53/16;
B65G 53/36; B65G 53/50; B65G 53/525;
B65B 69/0075; B65D 88/548; G05D 7/0605;
Y10S 366/605

See application file for complete search history.

(56) **References Cited**

U.S. PATENT DOCUMENTS

2,831,732 A * 4/1958 Rieser B65G 53/06
406/152
D271,879 S * 12/1983 Neilson D15/147
4,619,532 A * 10/1986 Schmidt, III B01F 11/0031
D15/147
D341,014 S * 11/1993 Grosswiller D18/35

FOREIGN PATENT DOCUMENTS

CN 302688727 * 12/2013
CN 302789884 * 4/2014
CN 302849803 * 6/2014

* cited by examiner

Primary Examiner — Bridget L Eland

Assistant Examiner — Lauren McVey

(74) *Attorney, Agent, or Firm* — Sughrue Mion, PLLC

(57) **CLAIM**

The ornamental design for a pneumatic conveyor, as shown and described.

DESCRIPTION

FIG. 1 is a perspective view of a pneumatic conveyor showing my new design;

FIG. 2 is another perspective view thereof;

FIG. 3 is a front view thereof;

FIG. 4 is a rear view thereof;

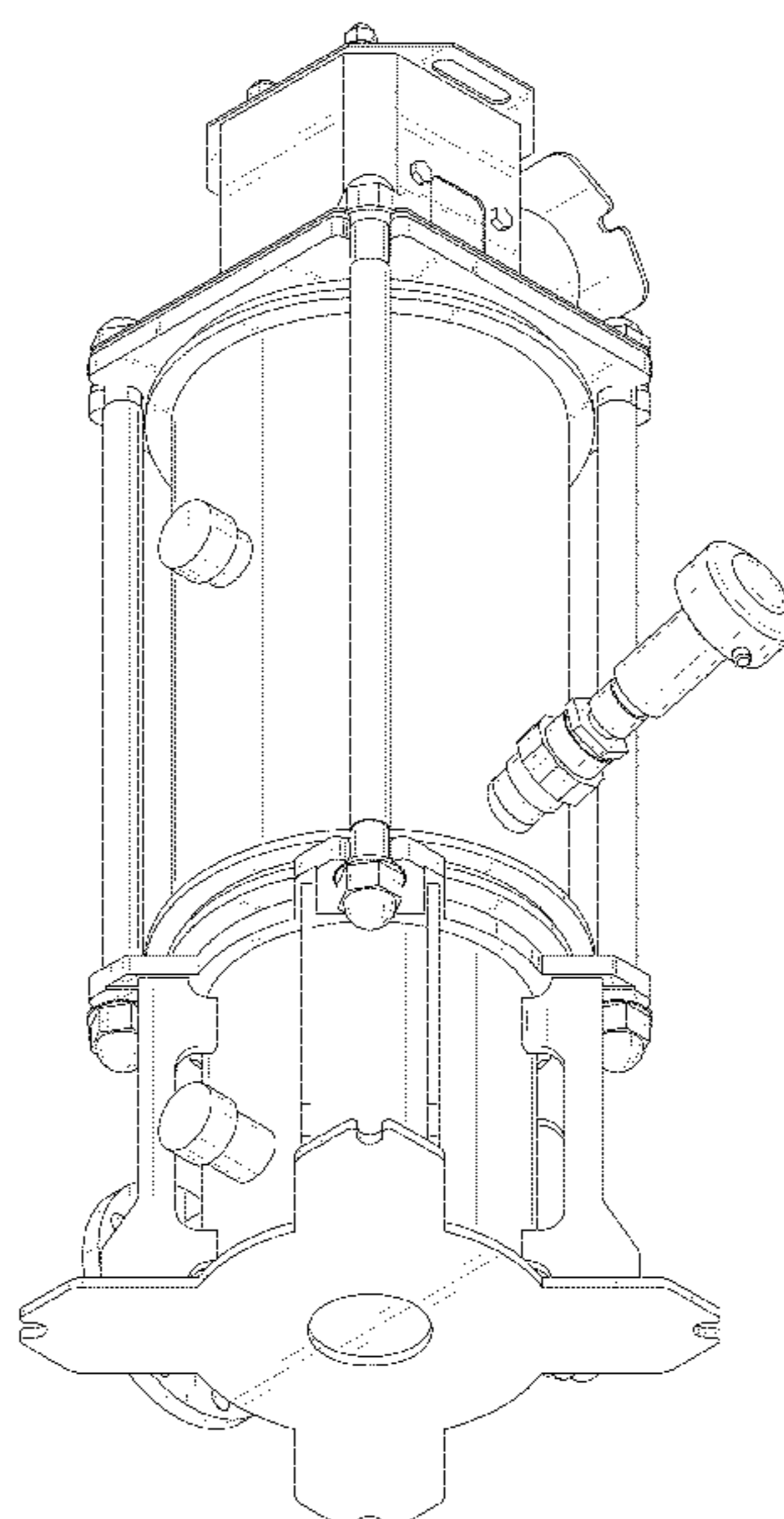
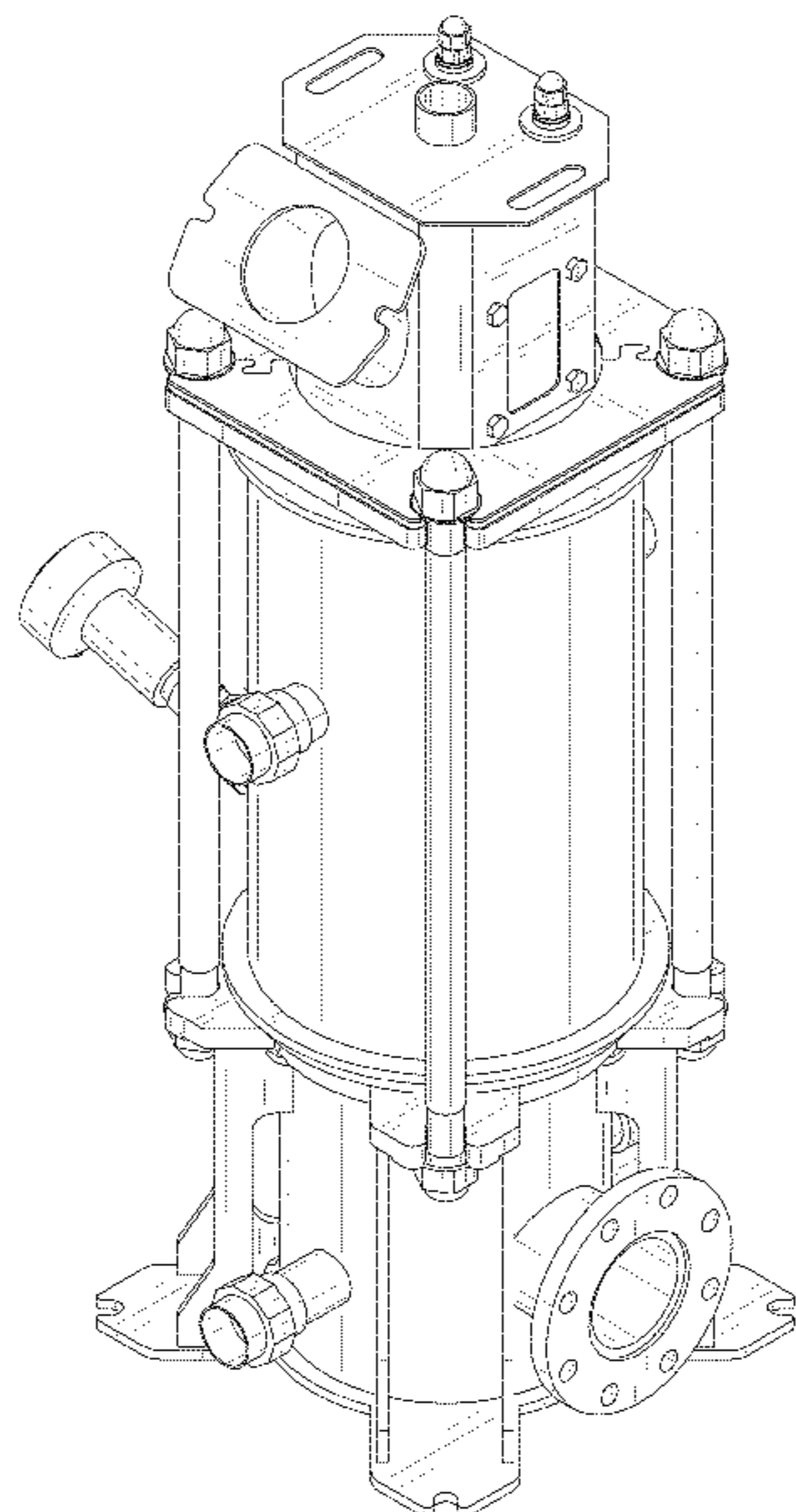
FIG. 5 is a left side view thereof;

FIG. 6 is a right side view thereof;

FIG. 7 is a top view thereof; and,

FIG. 8 is a bottom view thereof.

1 Claim, 8 Drawing Sheets



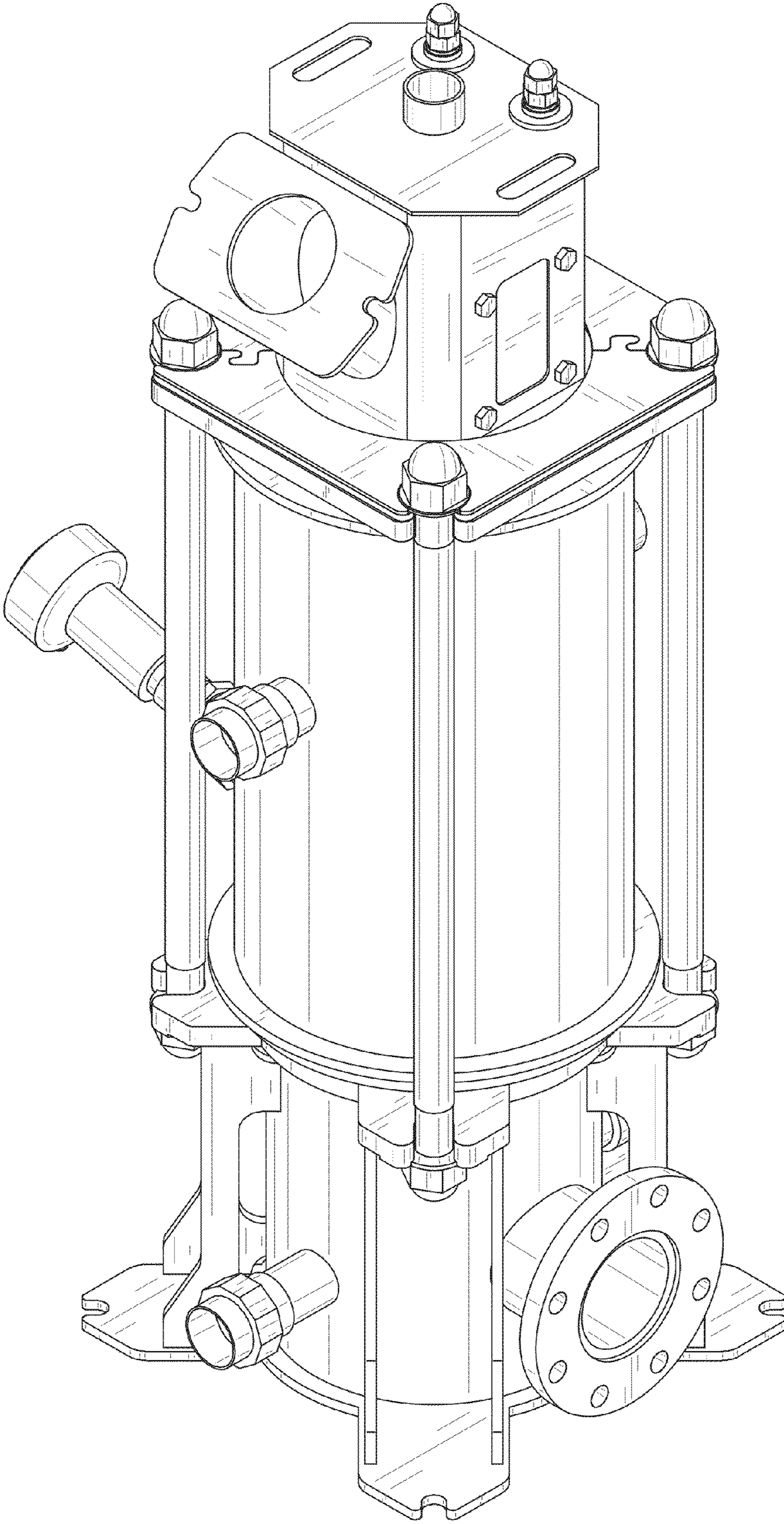


FIG. 1

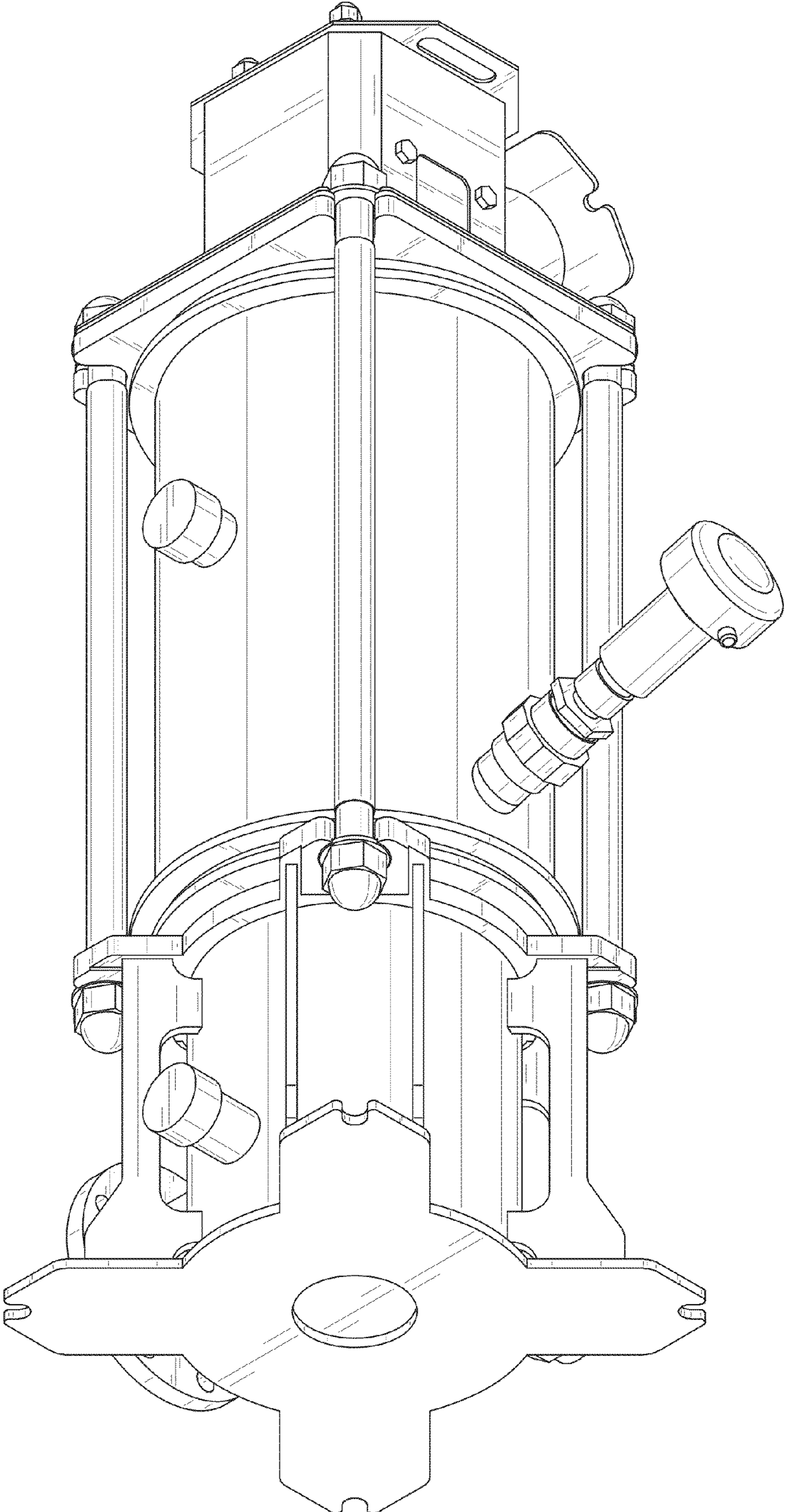


FIG. 2

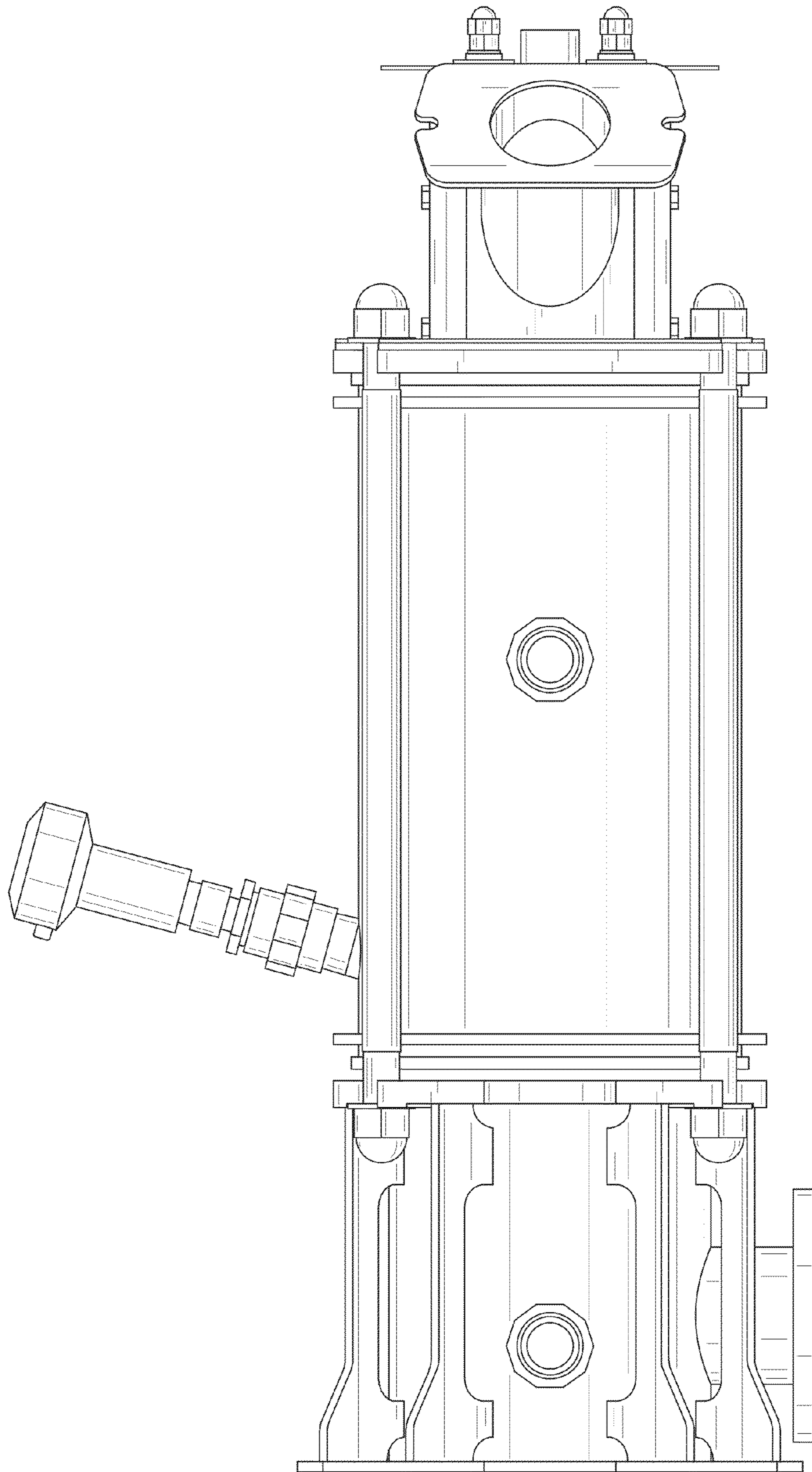


FIG. 3

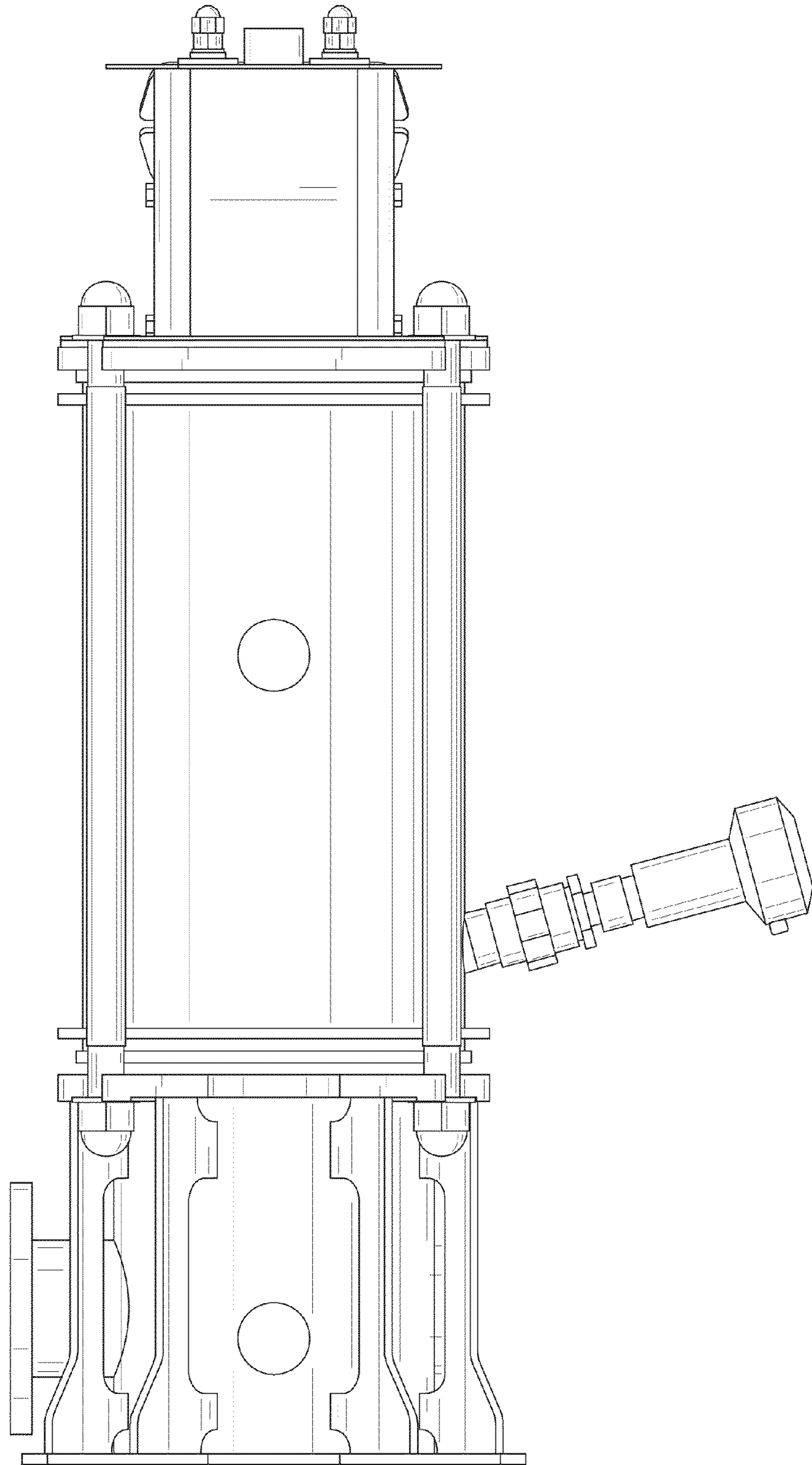


FIG. 4

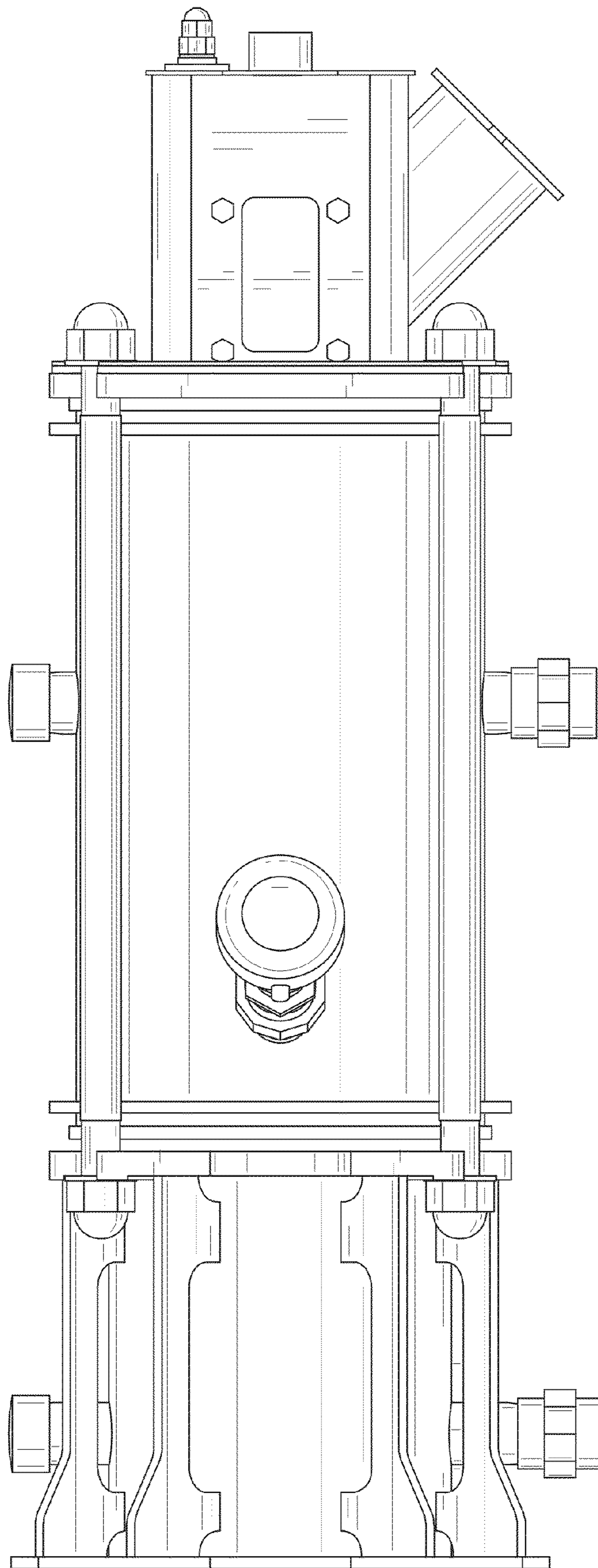


FIG. 5

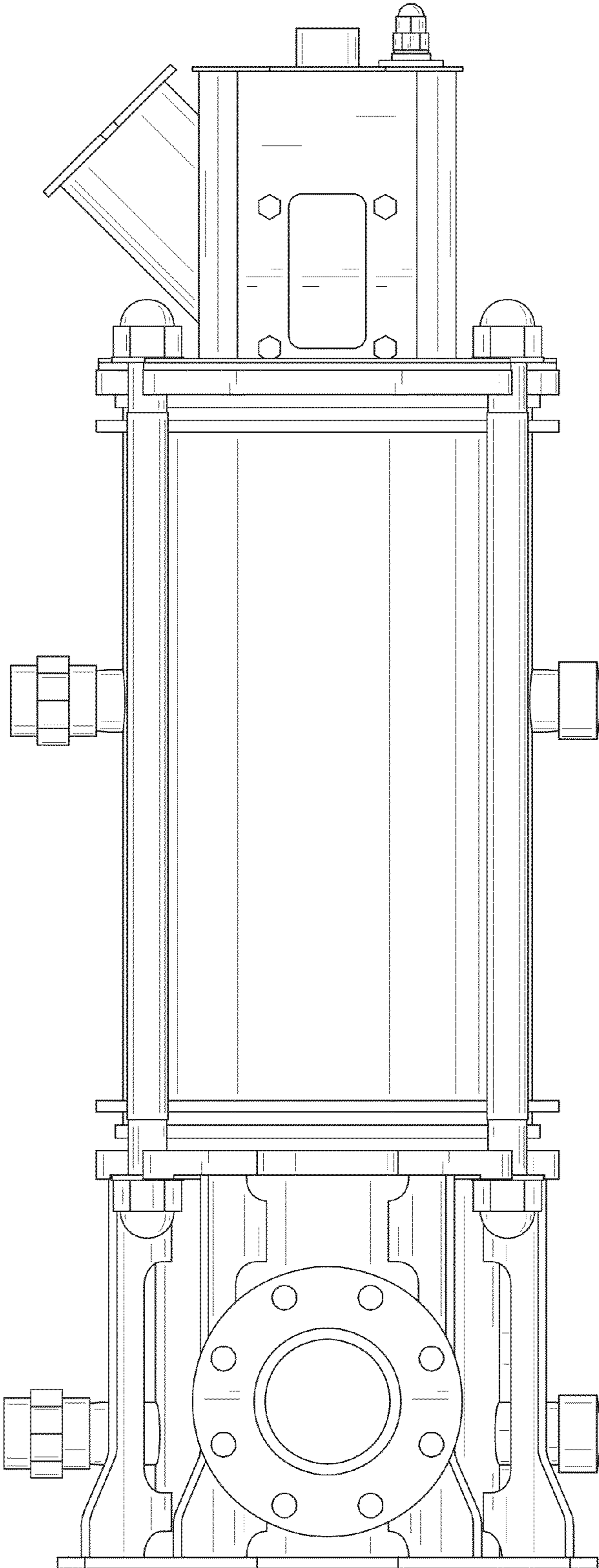


FIG. 6

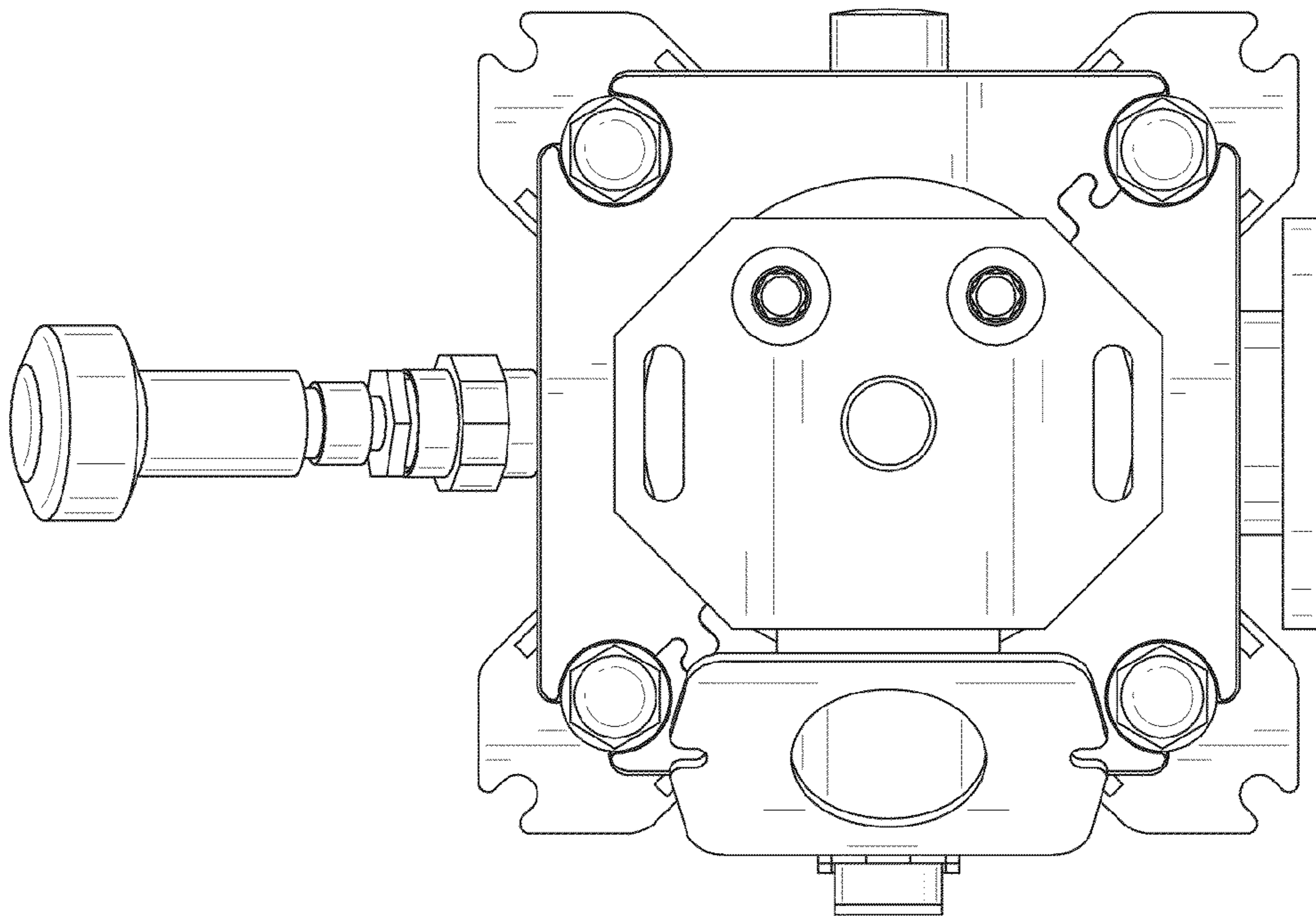


FIG. 7

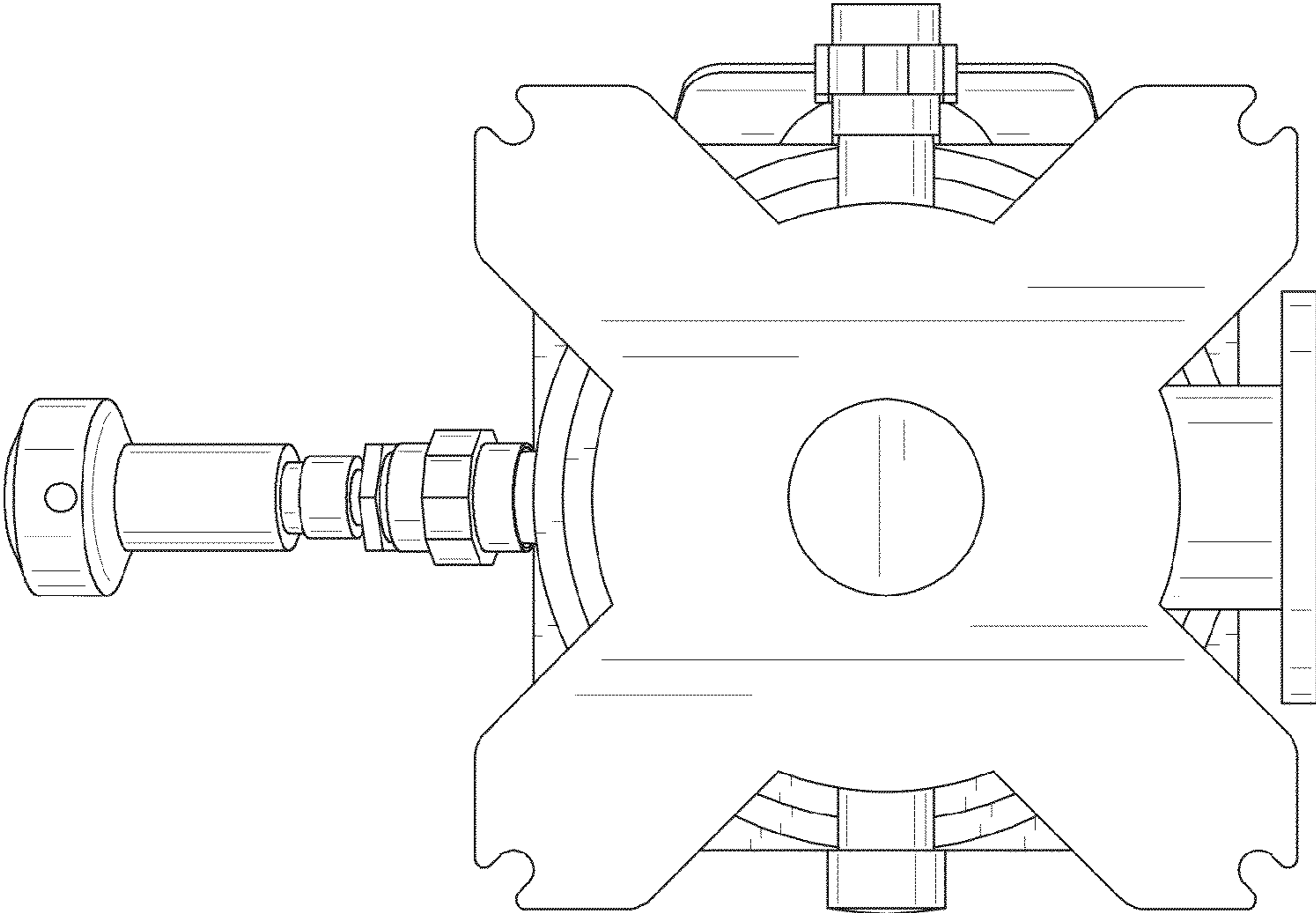


FIG. 8