



US00D759333S

(12) **United States Design Patent**
Grif

(10) **Patent No.:** **US D759,333 S**
(45) **Date of Patent:** **** *Jun. 14, 2016**

(54) **FOLDABLE CART**

(71) Applicant: **Iris Grif**, Woodmere, NY (US)

(72) Inventor: **Iris Grif**, Woodmere, NY (US)

(*) Notice: This patent is subject to a terminal disclaimer.

(**) Term: **14 Years**

(21) Appl. No.: **29/491,593**

(22) Filed: **May 22, 2014**

(51) **LOC (10) Cl.** **12-02**

(52) **U.S. Cl.**
USPC **D34/19**

(58) **Field of Classification Search**
USPC D34/12-27; 280/652, 639, 47.131, 280/47.26, DIG. 3
CPC B62B 1/12; B62B 1/208; B62B 1/14; B62B 2202/26; B62B 2202/404; B62B 2202/24; B62B 3/02; B62B 3/022
See application file for complete search history.

7,527,284 B2 5/2009 Nores
7,862,069 B2 1/2011 King
8,388,015 B2 3/2013 Chen
8,439,374 B1 * 5/2013 Elden B62B 1/12 280/47.26
8,511,406 B2 * 8/2013 Anasiewicz B62B 5/0033 180/19.1
8,596,389 B2 * 12/2013 Anasiewicz B62D 51/04 180/19.1
8,646,785 B2 * 2/2014 Udall A45C 5/14 280/47.25
D702,909 S * 4/2014 Stopp D34/12
2002/0084629 A1 * 7/2002 Levy B62B 1/14 280/651
2006/0049614 A1 * 3/2006 Shamah B62B 1/12 280/652
2012/0013090 A1 1/2012 Musi
2012/0160576 A1 * 6/2012 Anasiewicz B62B 5/0033 180/19.1

* cited by examiner

Primary Examiner — Cynthia Ramirez

(74) *Attorney, Agent, or Firm* — Scully Scott Murphy and Presser

(57) **CLAIM**

The ornamental design for a foldable cart, as shown.

DESCRIPTION

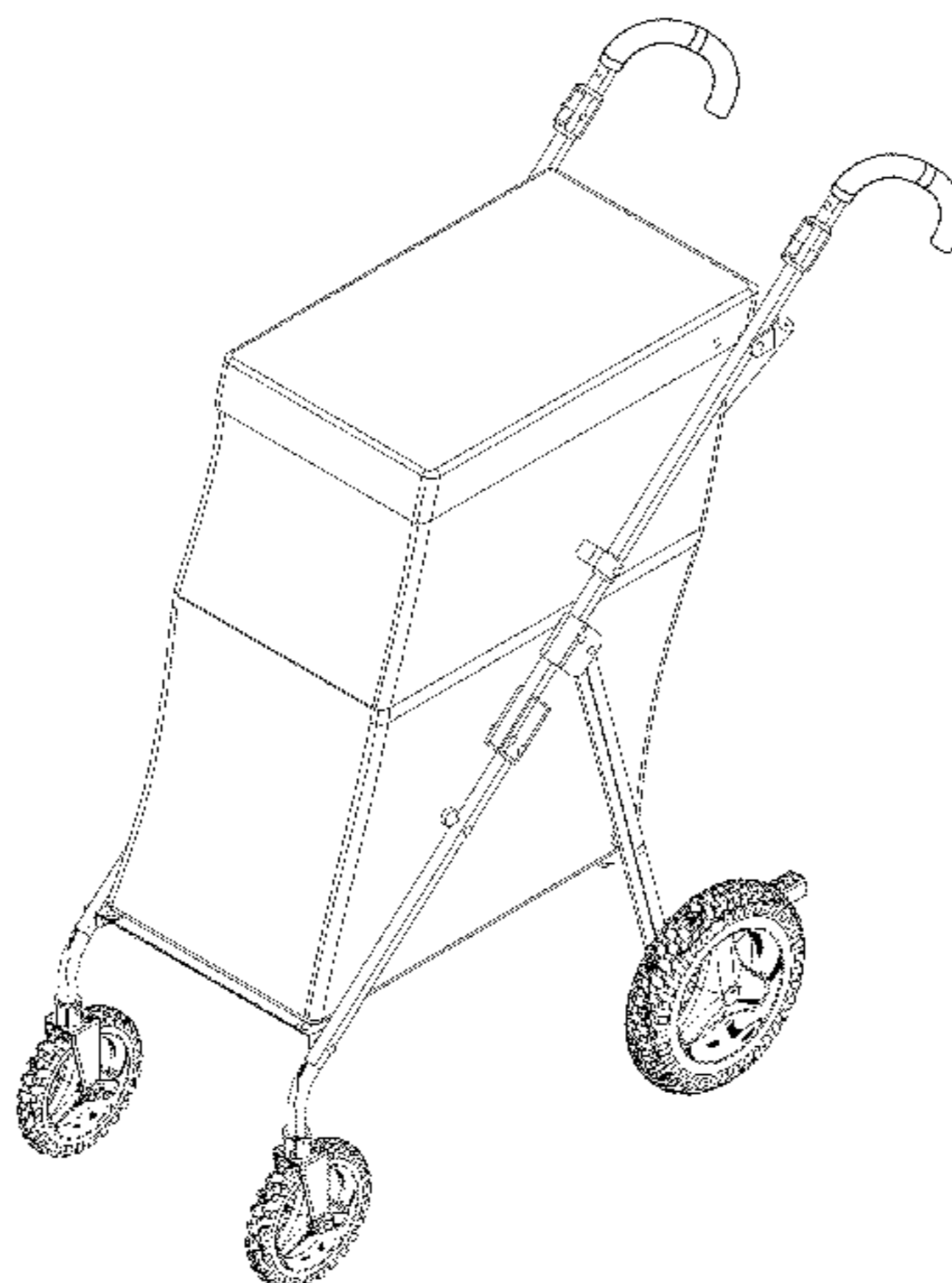
FIG. 1 is a perspective view of a foldable cart showing a first embodiment of my new design;
FIG. 2 is a front elevation view thereof;
FIG. 3 is a rear elevation view thereof;
FIG. 4 is a side view thereof;
FIG. 5 is an opposite side view thereof;
FIG. 6 is a top view thereof;
FIG. 7 is a bottom view thereof;
FIG. 8 is a perspective view of a foldable cart showing a second embodiment of my new design;
FIG. 9 is a front elevation view of FIG. 8;
FIG. 10 is a rear elevation view of FIG. 8;
FIG. 11 is a side view of FIG. 8;
FIG. 12 is an opposite side view of FIG. 8;
FIG. 13 is a top view of FIG. 8; and,
FIG. 14 is a bottom view of FIG. 8.

1 Claim, 14 Drawing Sheets

(56) **References Cited**

U.S. PATENT DOCUMENTS

1,769,418 A * 7/1930 Cooper B62B 1/12 211/132.1
3,992,038 A * 11/1976 Guadano, Sr. B62B 3/027 280/659
D250,326 S * 11/1978 Blatzer D34/26
D334,640 S * 4/1993 Forish 280/47.26
5,265,892 A * 11/1993 Said B62B 1/208 280/10
5,785,334 A * 7/1998 Robinson B62B 1/208 280/204
5,938,230 A 8/1999 Huang et al.
6,152,476 A 11/2000 Huang
D444,927 S * 7/2001 Lin D32/37
6,378,883 B1 4/2002 Epstein
6,598,898 B2 * 7/2003 Chu B62B 1/12 280/47.131
7,066,484 B2 6/2006 Willis et al.
D572,632 S 7/2008 Willis
7,481,445 B1 1/2009 Danziger



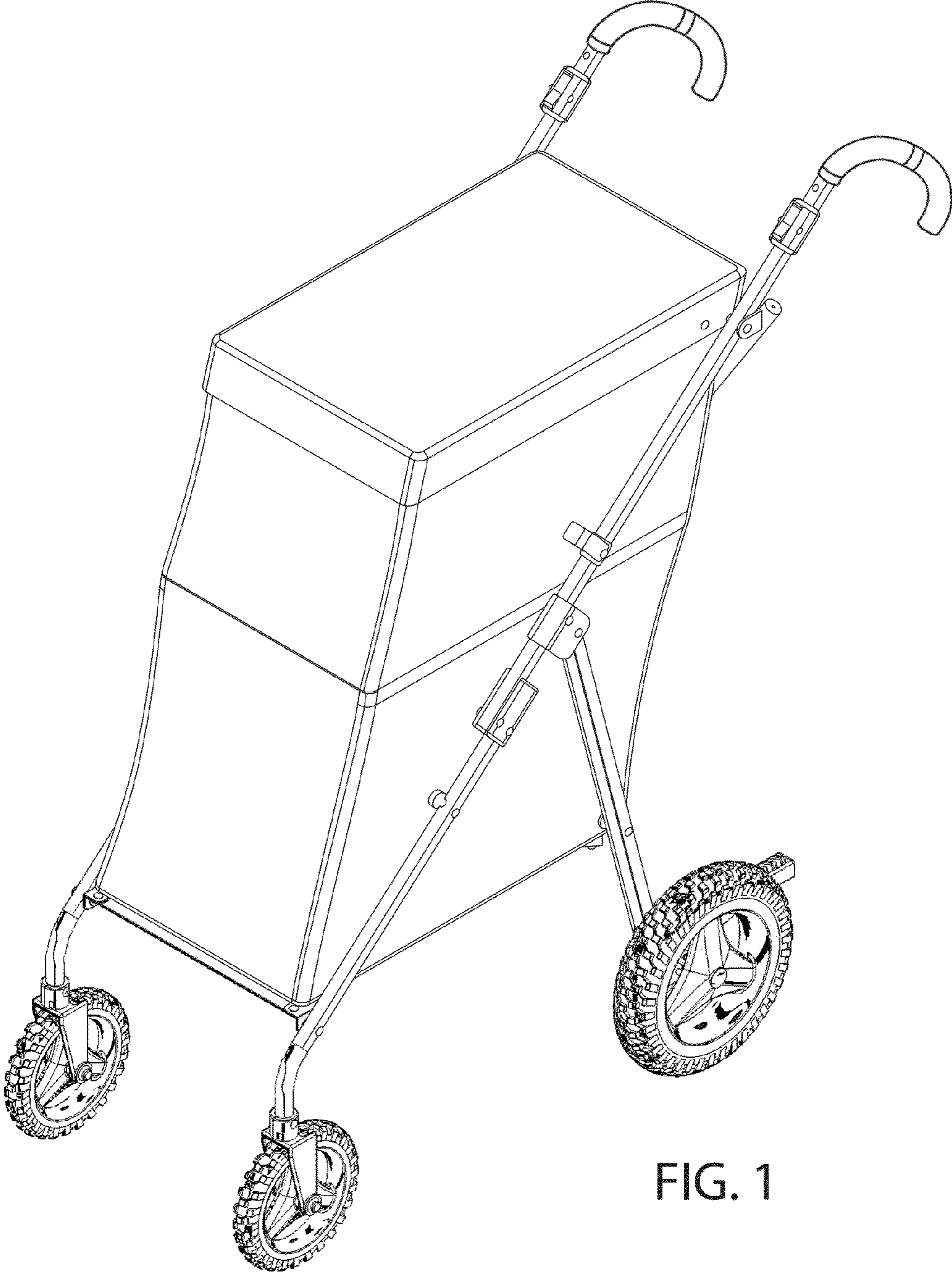


FIG. 1

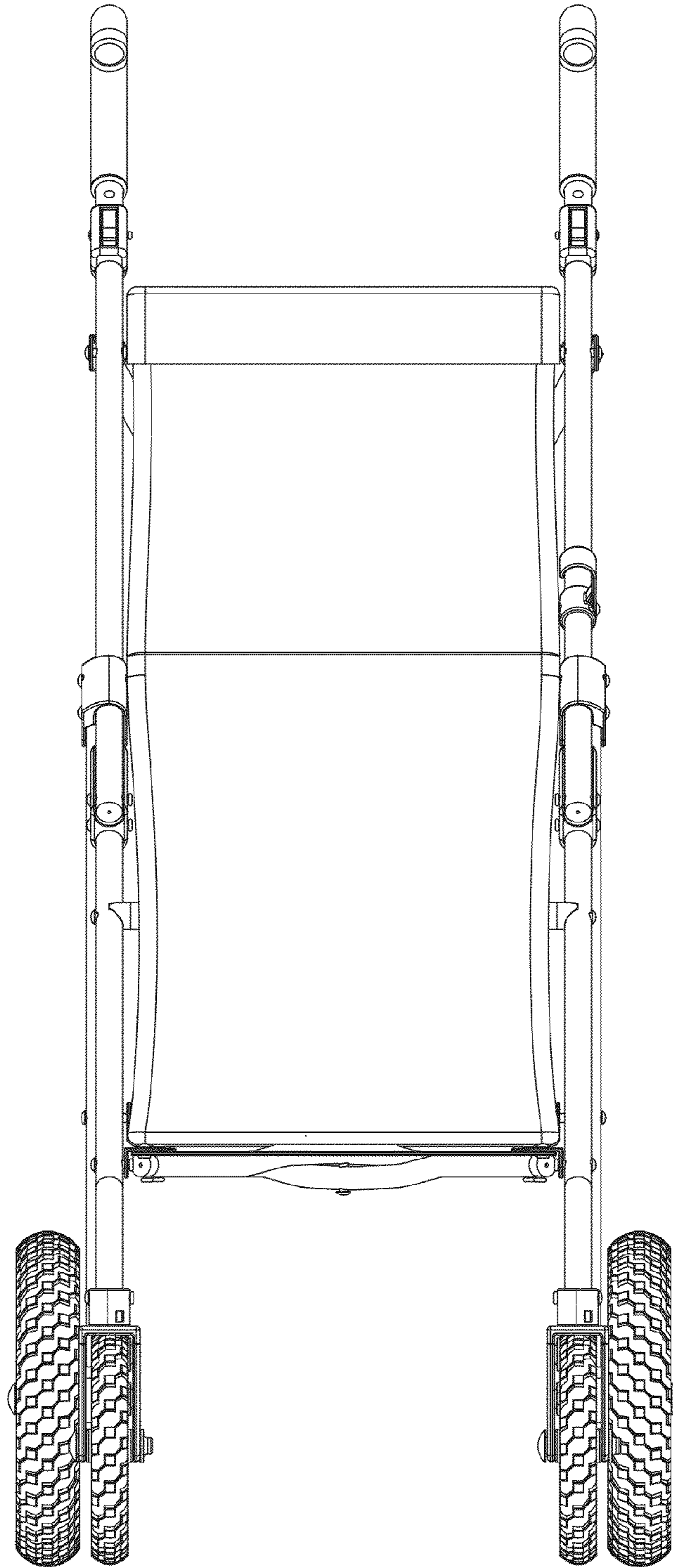


FIG. 2

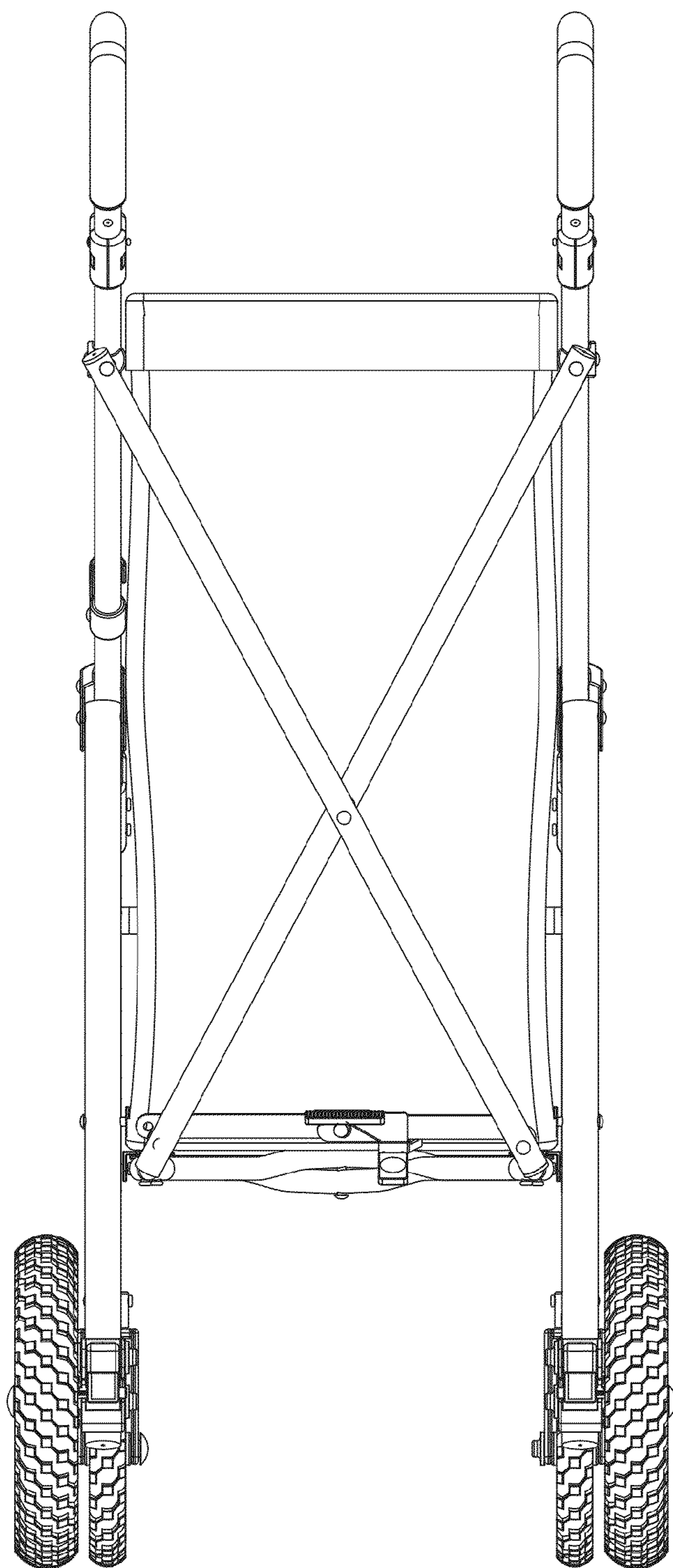


FIG. 3

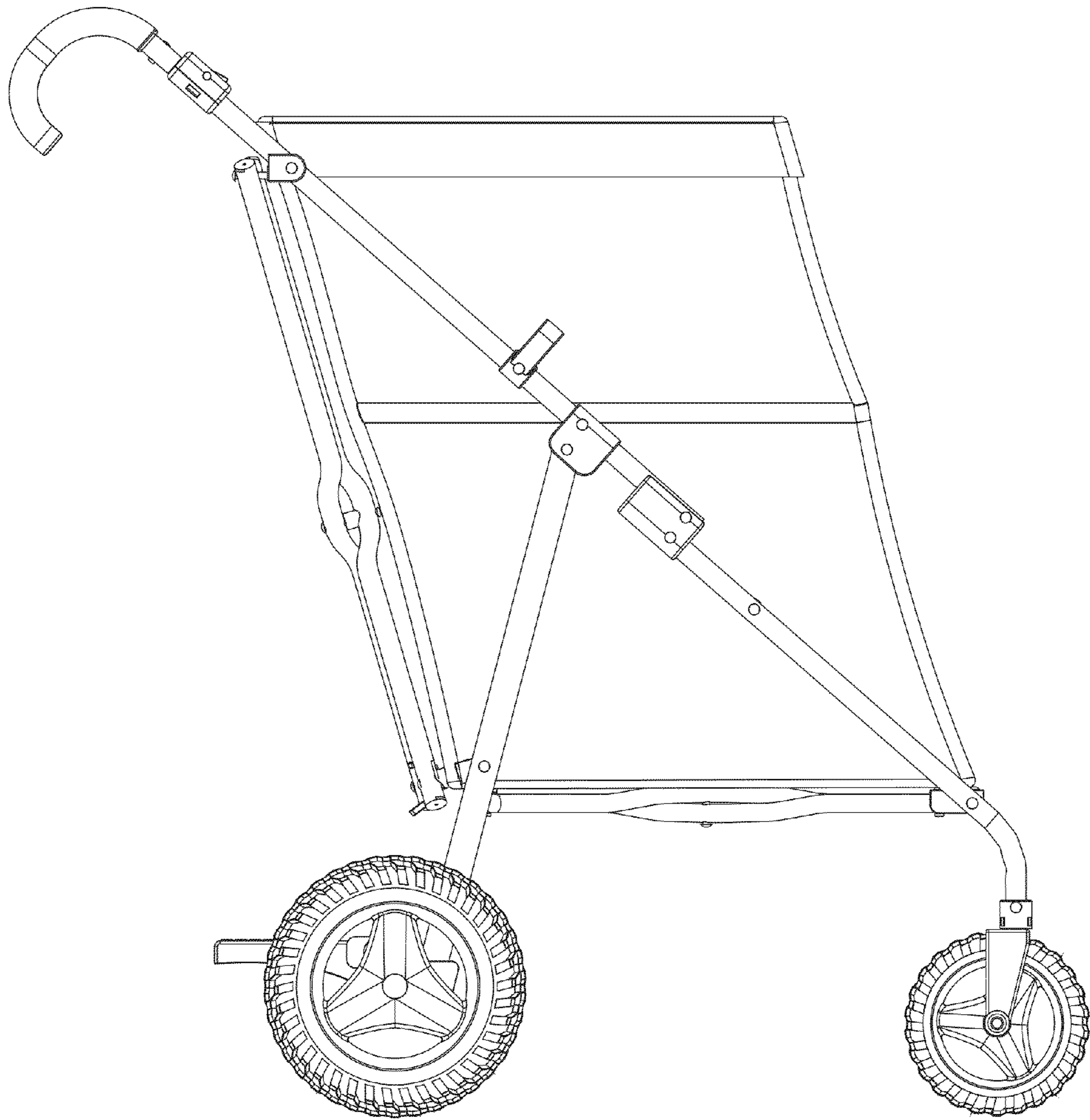


FIG. 4

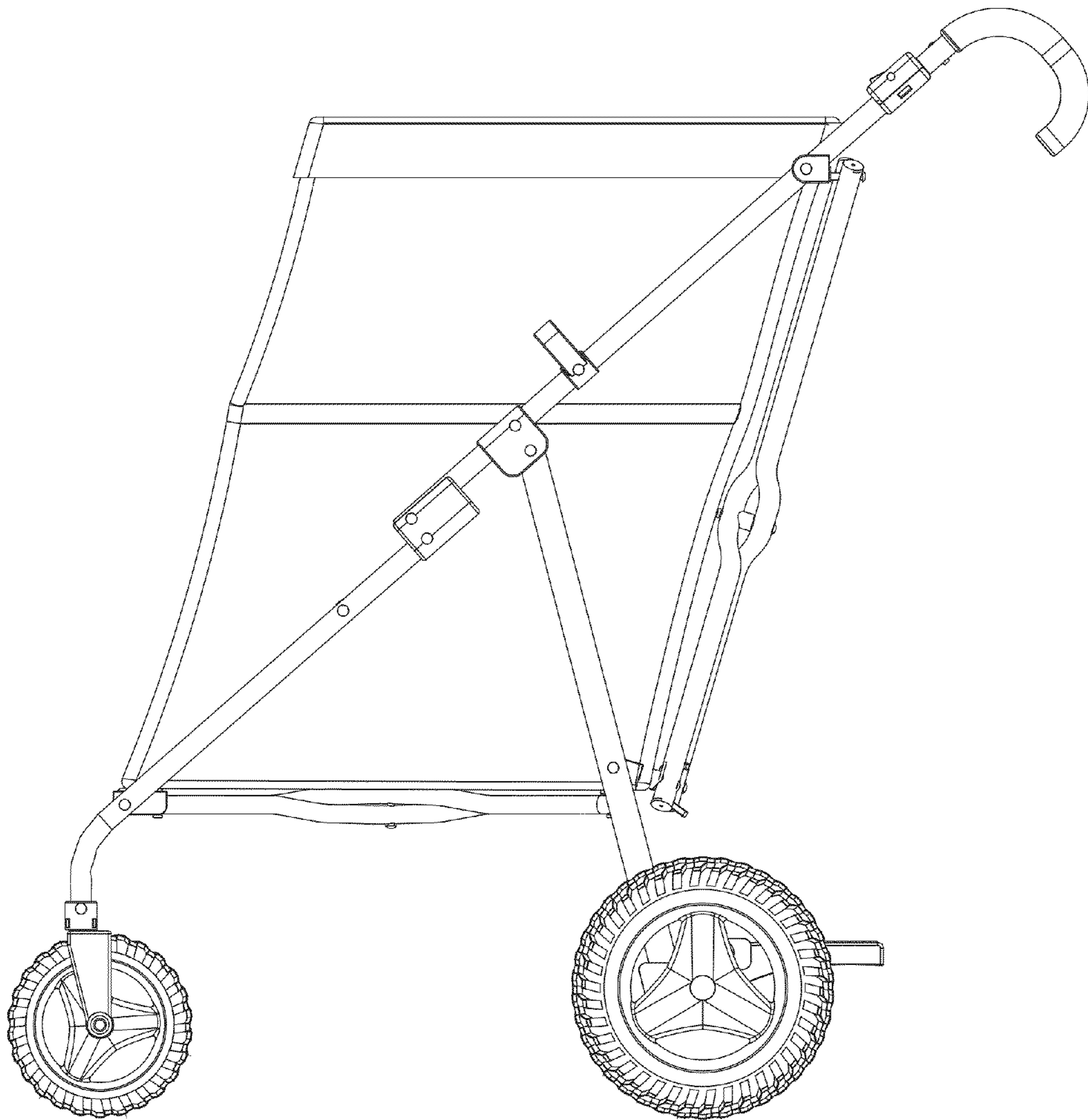


FIG. 5

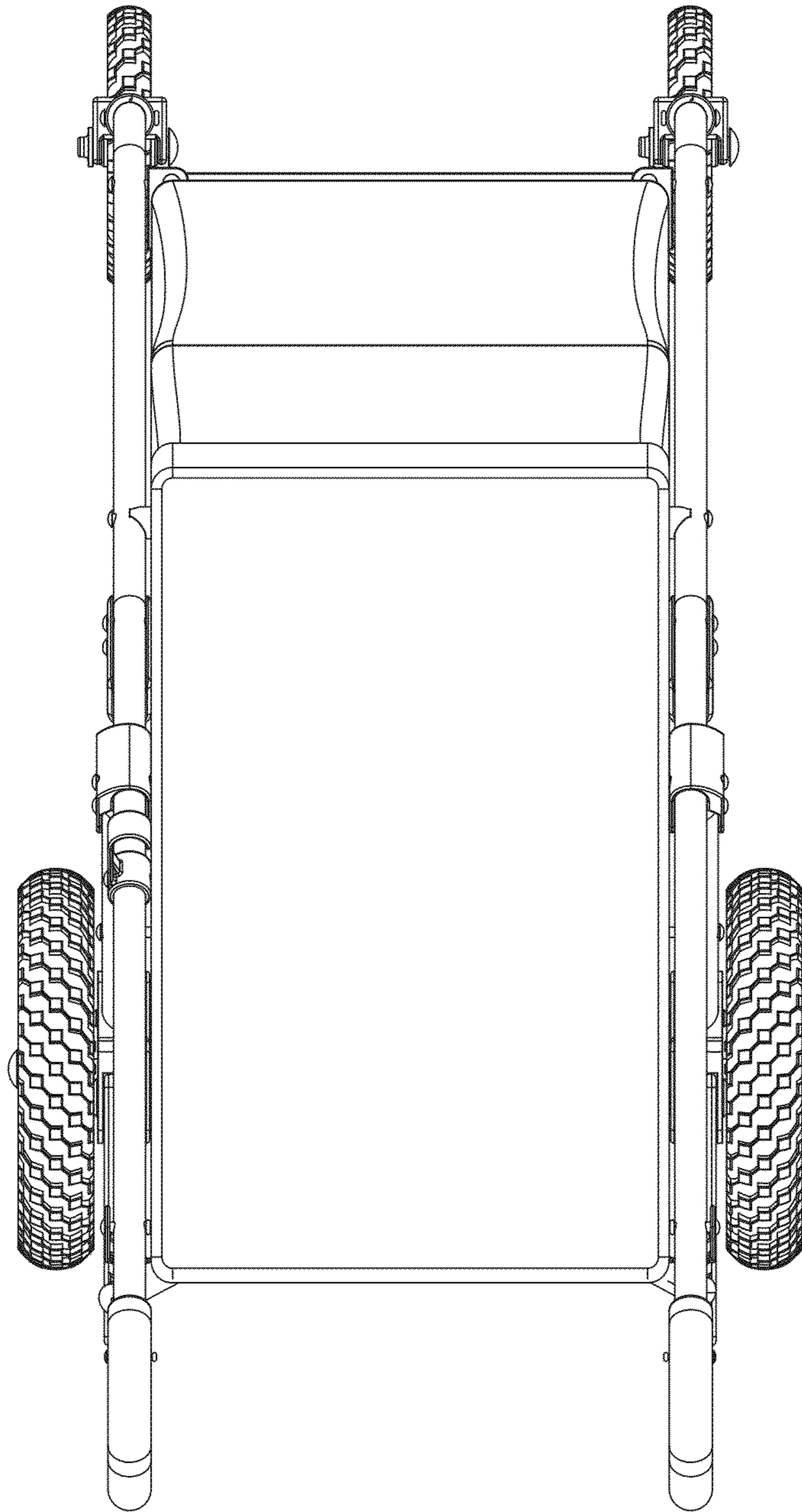


FIG. 6

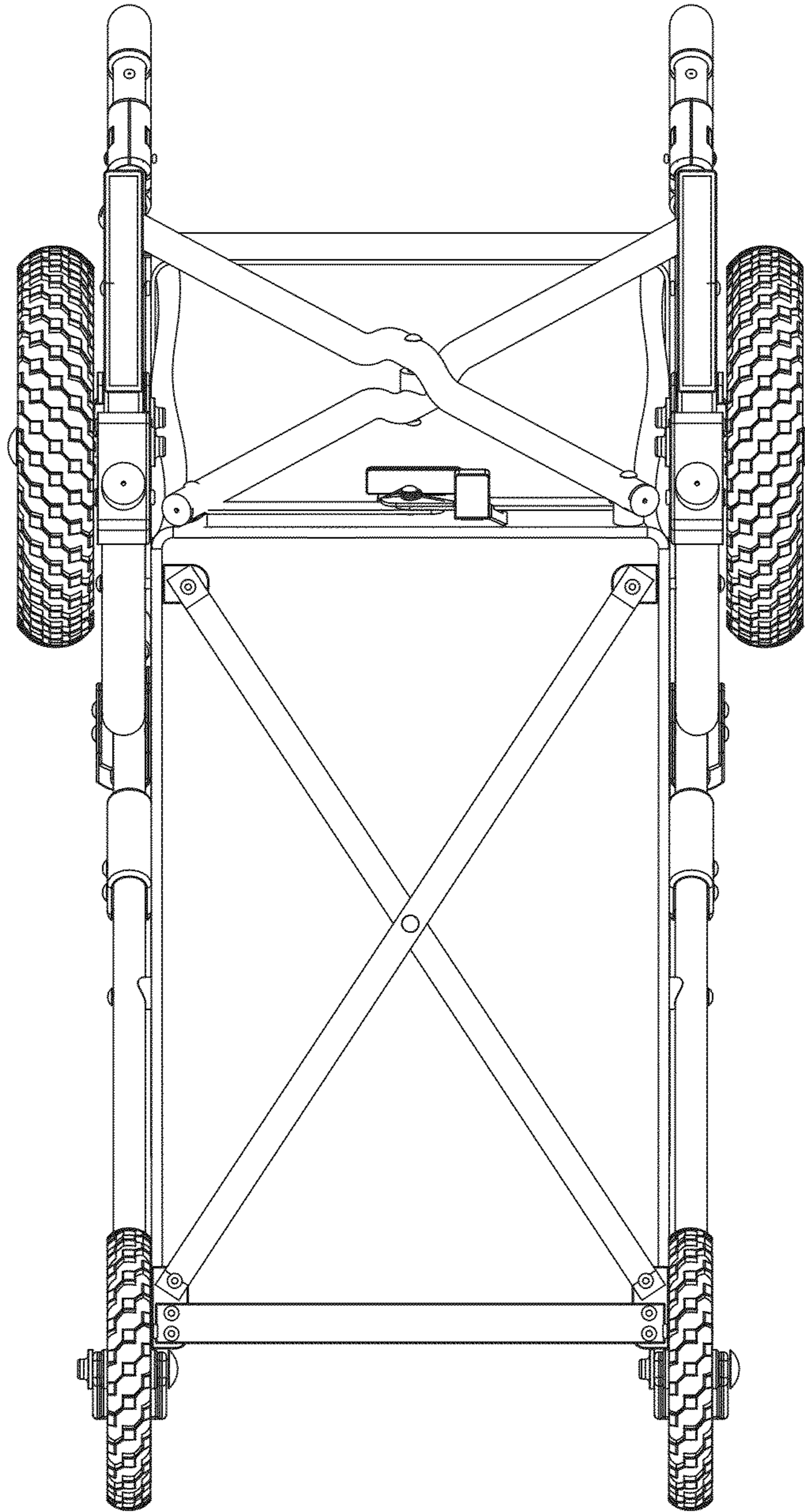


FIG. 7

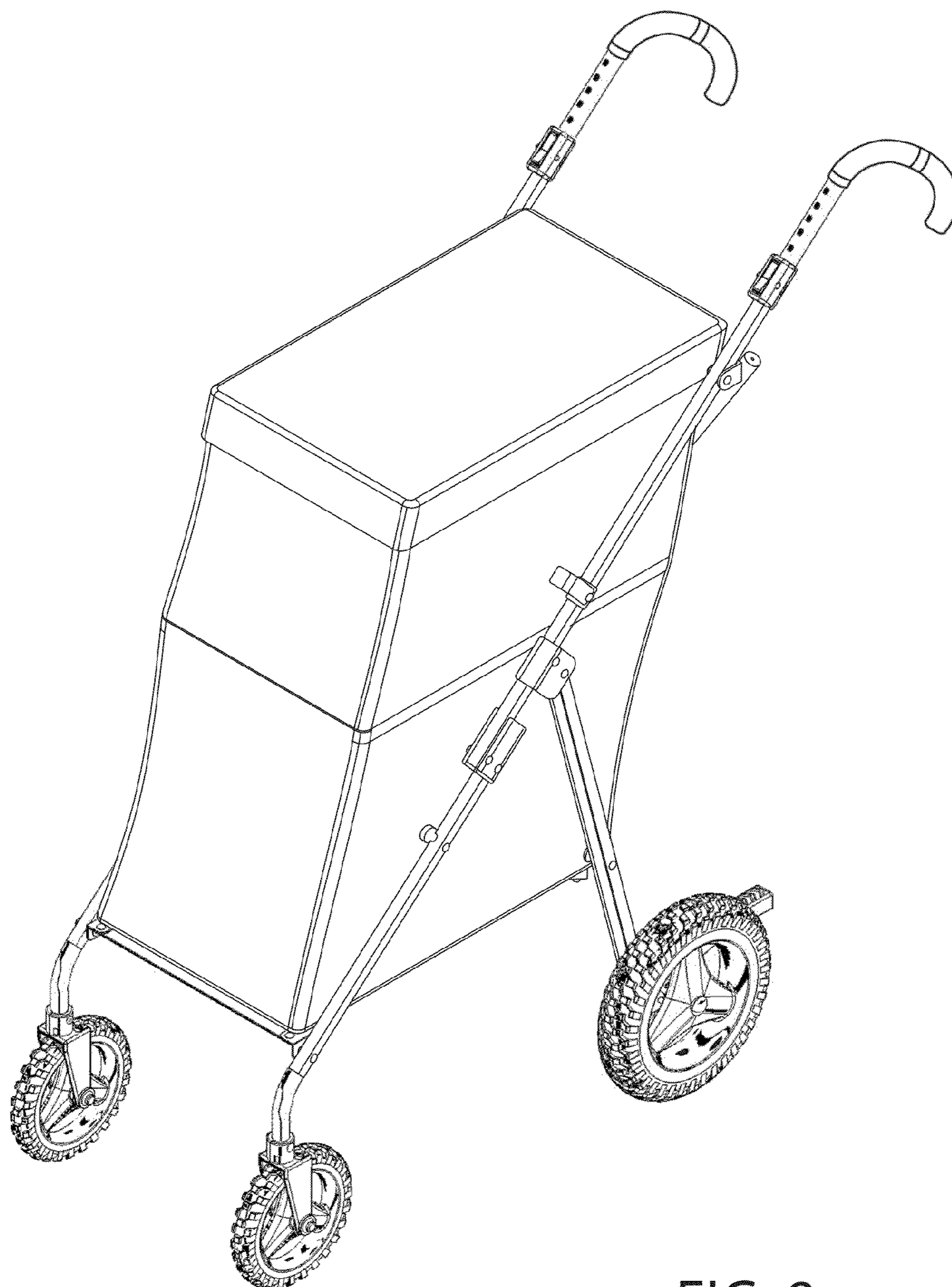


FIG. 8

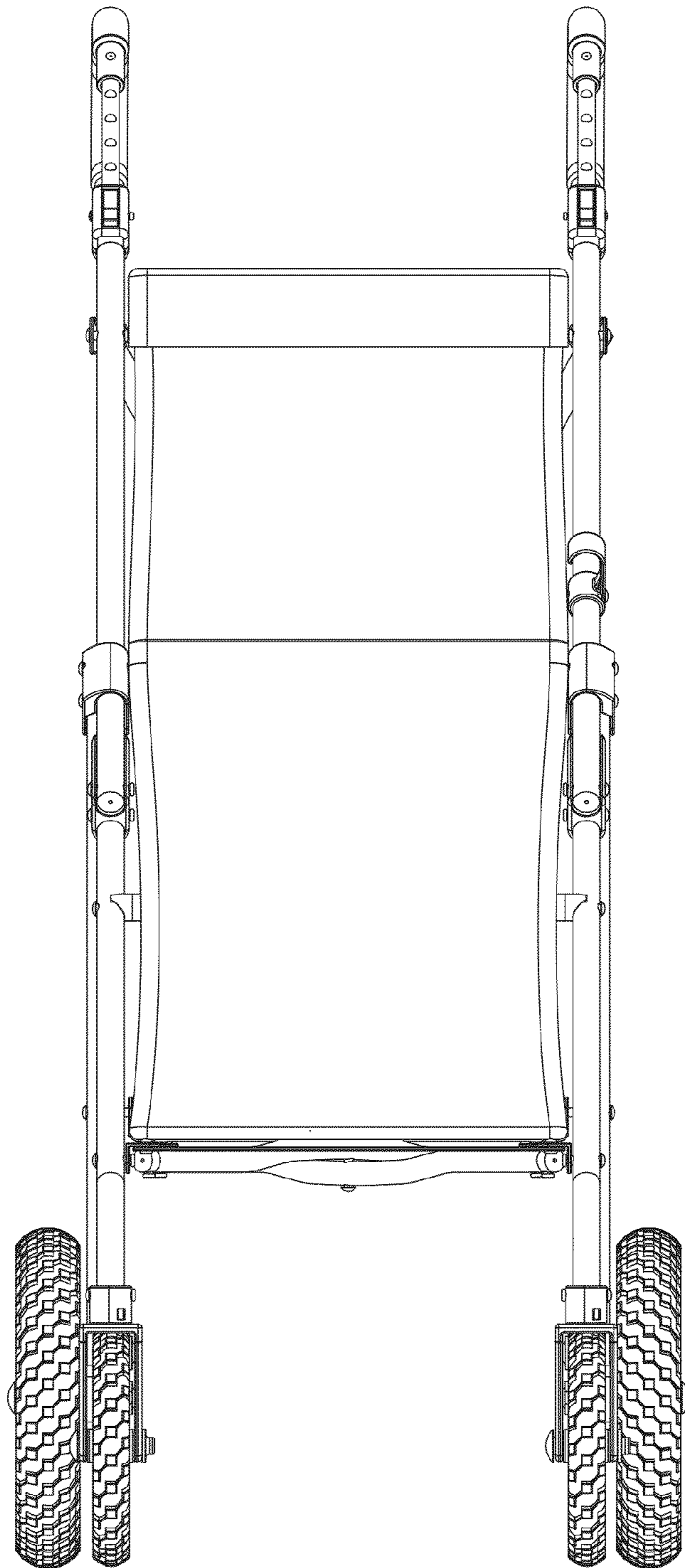


FIG. 9

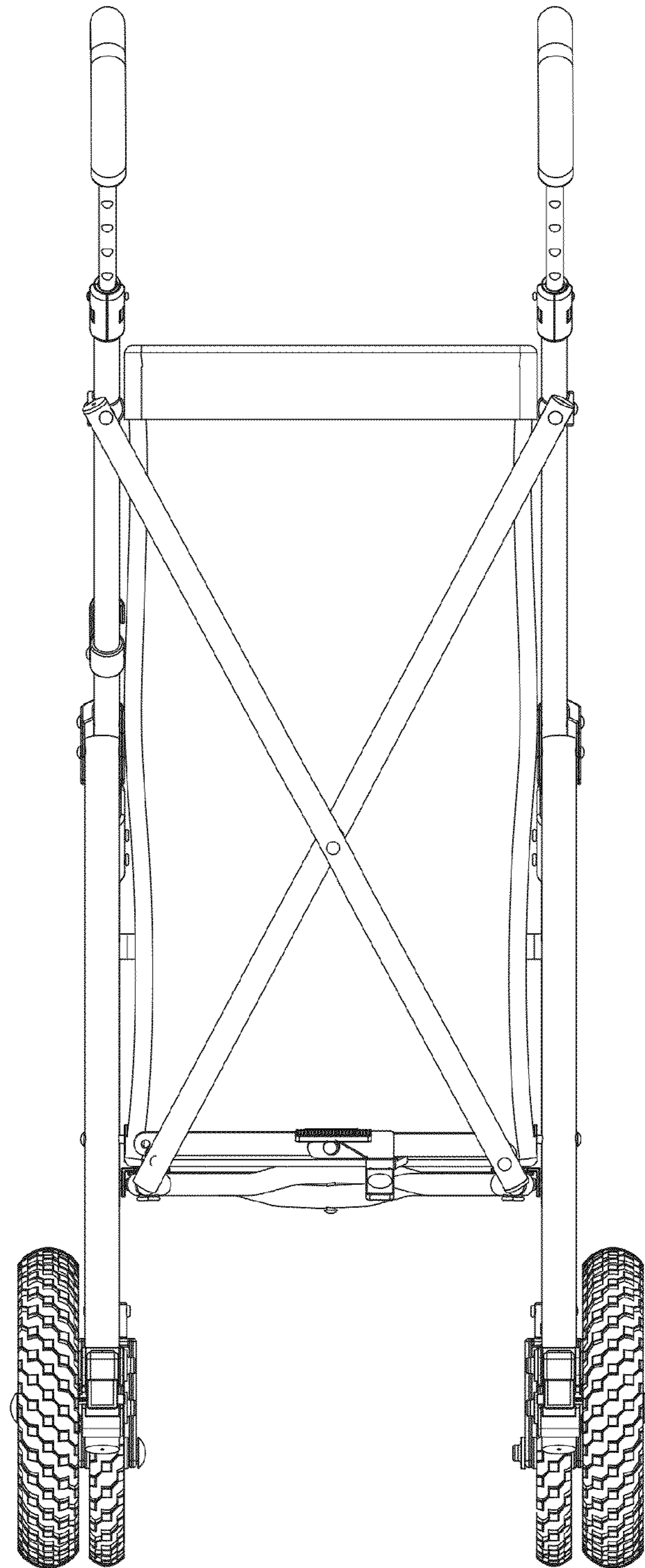


FIG. 10

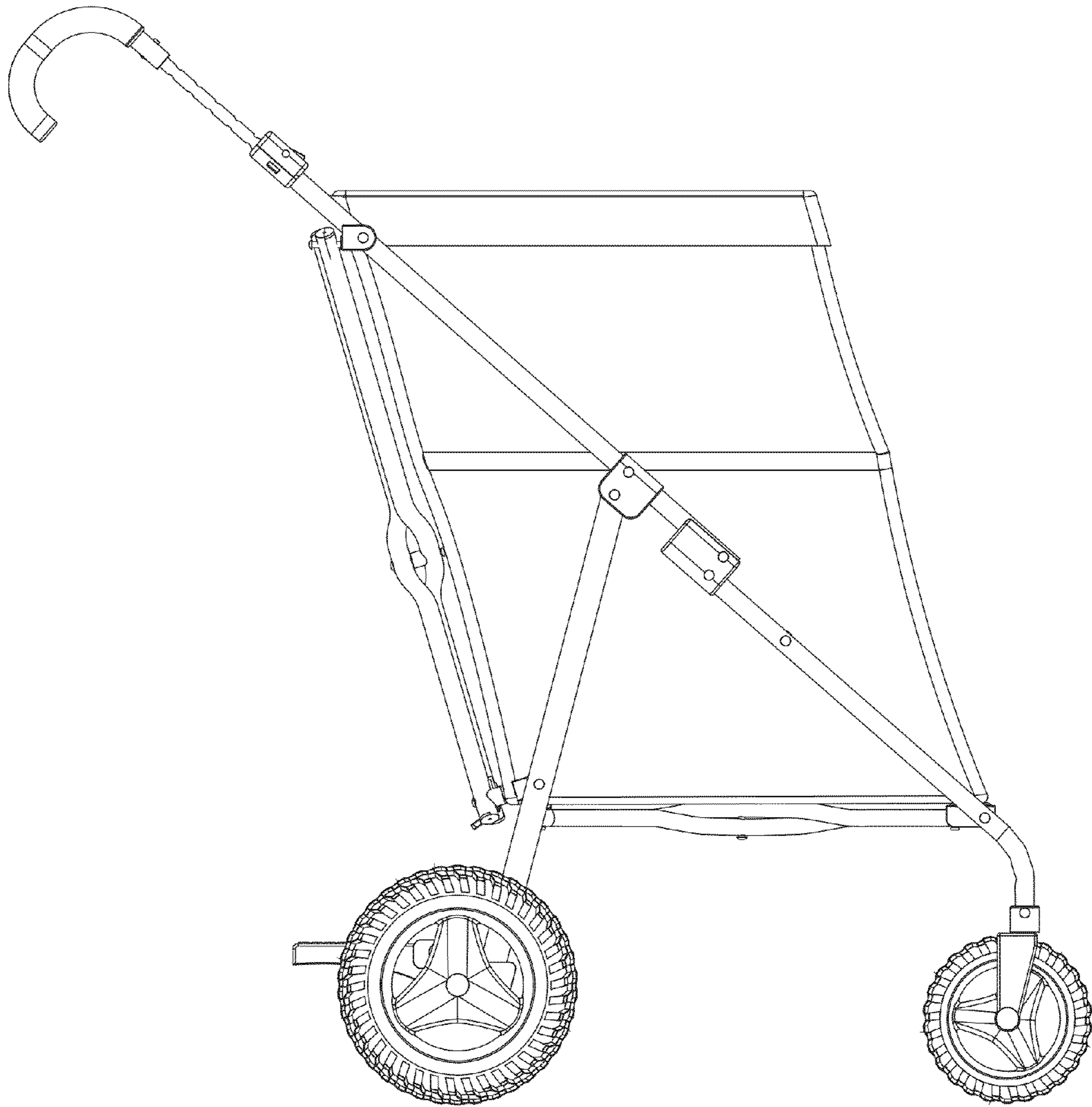


FIG. 11

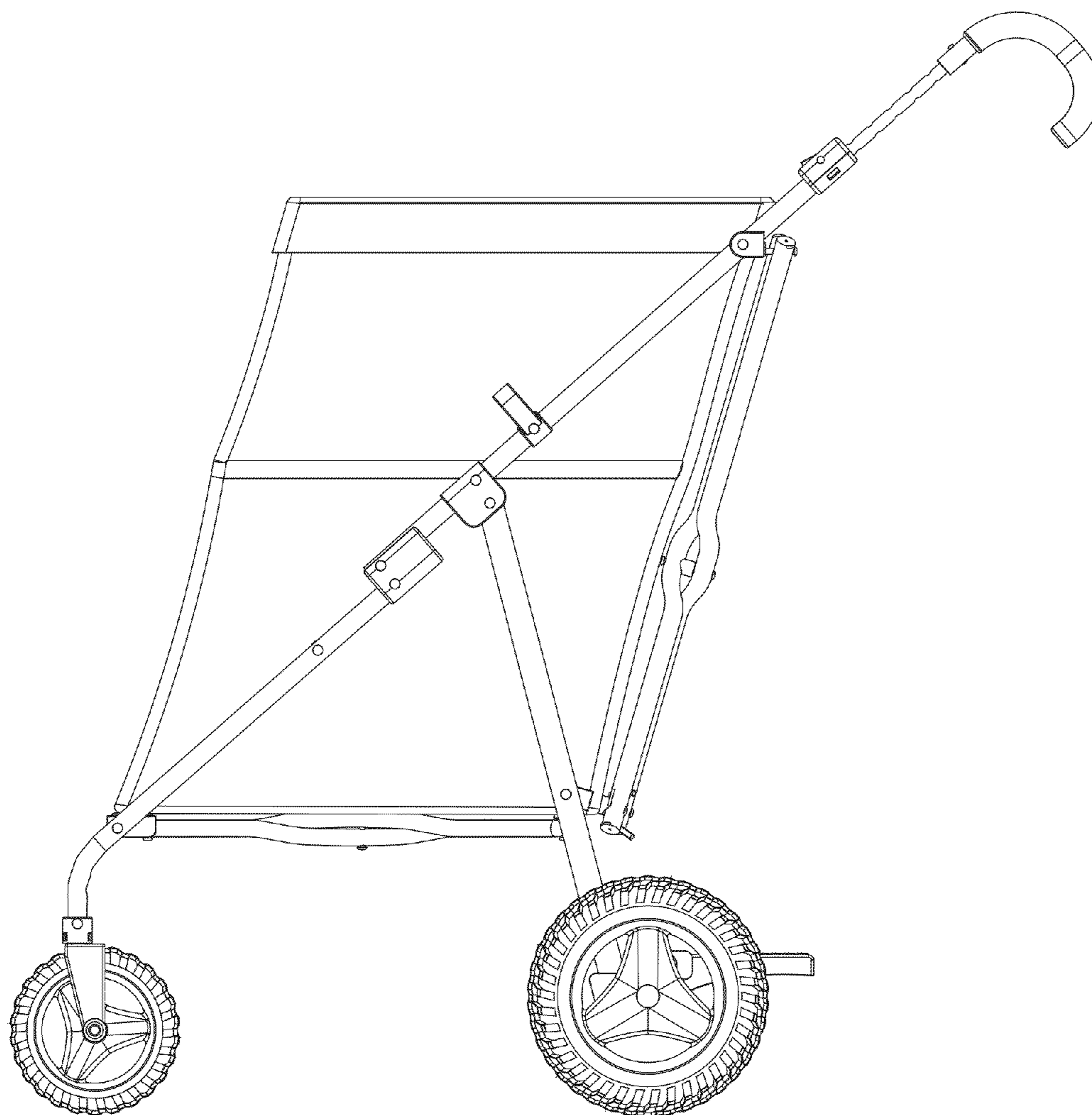


FIG. 12

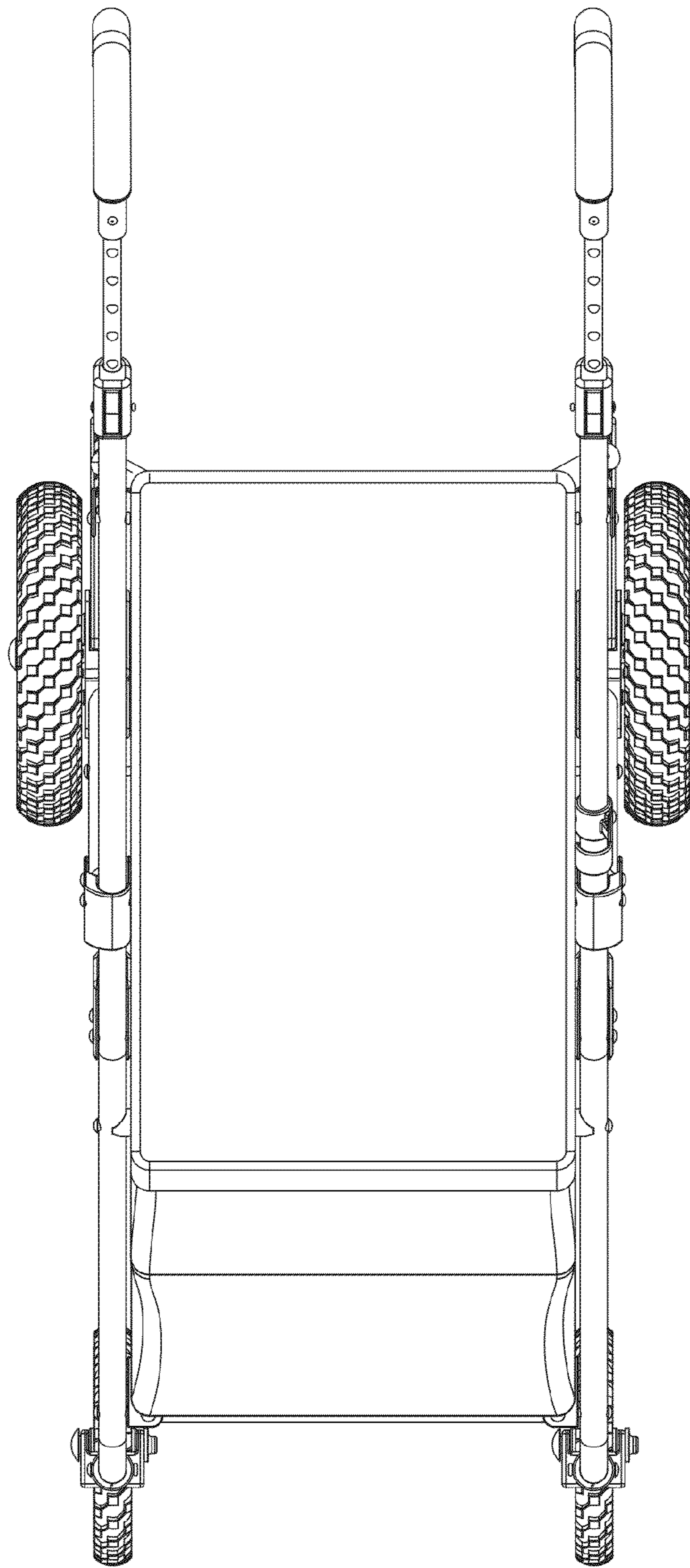


FIG. 13

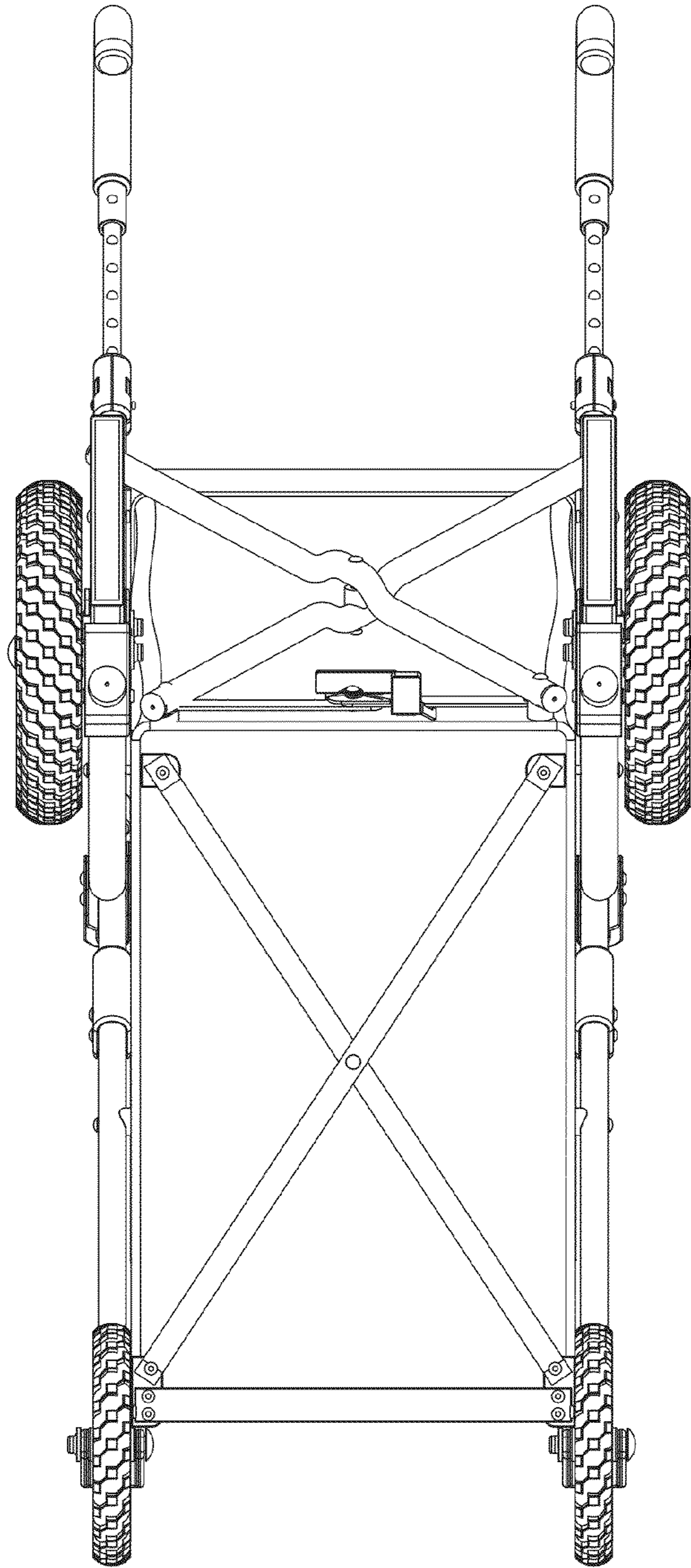


FIG. 14