



US00D759332S

(12) **United States Design Patent**  
**Basmajian et al.**

(10) **Patent No.:** **US D759,332 S**  
(45) **Date of Patent:** **\*\* Jun. 14, 2016**

(54) **COMBINATION RECYCLING AND TRASH RECEPTACLE BIN**

(71) Applicant: **Cara Brittany Basmajian**, Manhattan Beach, CA (US)

(72) Inventors: **Cara Brittany Basmajian**, Manhattan Beach, CA (US); **Bryan Tadashi Hiura**, Cypress, CA (US)

(73) Assignee: **Cara Brittany Basmajian**, Manhattan Beach, CA (US)

(\*\*) Term: **14 Years**

(21) Appl. No.: **29/519,413**

(22) Filed: **Mar. 4, 2015**

(51) **LOC (10) Cl.** ..... **09-09**

(52) **U.S. Cl.**  
USPC ..... **D34/1**

(58) **Field of Classification Search**  
USPC ..... D34/1-11; 220/908-913  
CPC ..... B65F 1/06; B65F 1/1615; B65F 1/1607;  
B65F 1/163; B65F 1/16; B65F 1/668; B65F  
1/062; B65D 90/587; B65D 90/10  
See application file for complete search history.

(56) **References Cited**

**U.S. PATENT DOCUMENTS**

2,726,004	A	*	12/1955	McLeod	.....	B65D 7/02 220/23.2
2,736,454	A	*	2/1956	McConnell	.....	D06F 95/002 220/23.2
3,482,730	A	*	12/1969	Podwalny	.....	B65F 1/16 220/825
D324,122	S	*	2/1992	Brussing	.....	D34/1
D336,703	S	*	6/1993	Mason, Jr.	.....	D19/81
D444,278	S	*	6/2001	Myers, Jr.	.....	D32/54

6,311,859	B1	*	11/2001	Haas	.....	B65F 1/141 220/4.22
D577,059	S	*	9/2008	Sued	.....	D15/127
D600,741	S	*	9/2009	Sued	.....	D18/34.9
D625,068	S	*	10/2010	Shannon	.....	D34/1
D627,122	S	*	11/2010	Meyerhoffer	.....	D34/1
D712,611	S	*	9/2014	Sun Ting Kung	.....	D34/1
D727,107	S	*	4/2015	Parodi, Jr.	.....	D7/396.2

\* cited by examiner

*Primary Examiner* — Cynthia Ramirez

(74) *Attorney, Agent, or Firm* — Karish & Bjorgum, PC

(57) **CLAIM**

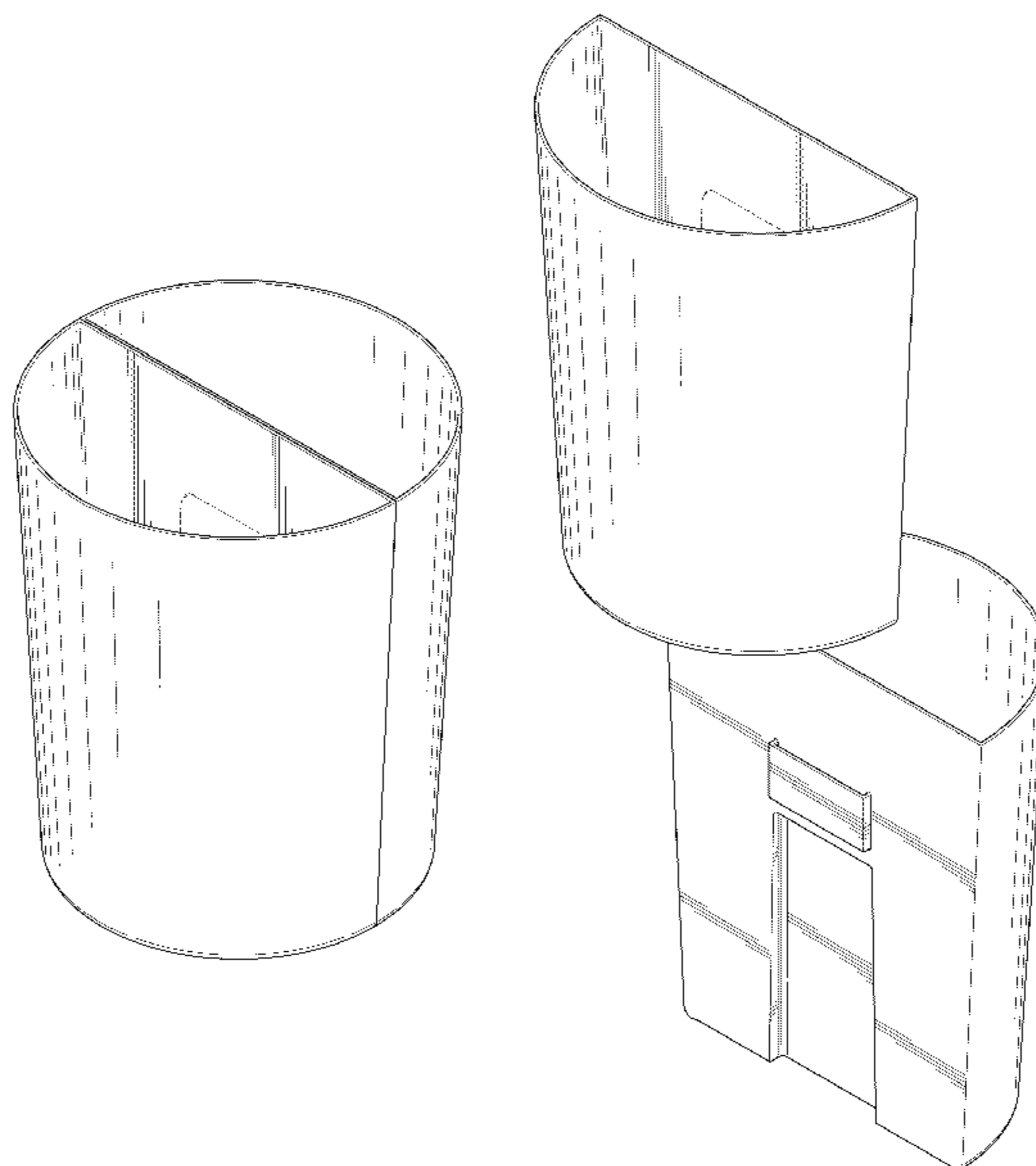
The ornamental design for a combination recycling and trash receptacle bin, as shown and described.

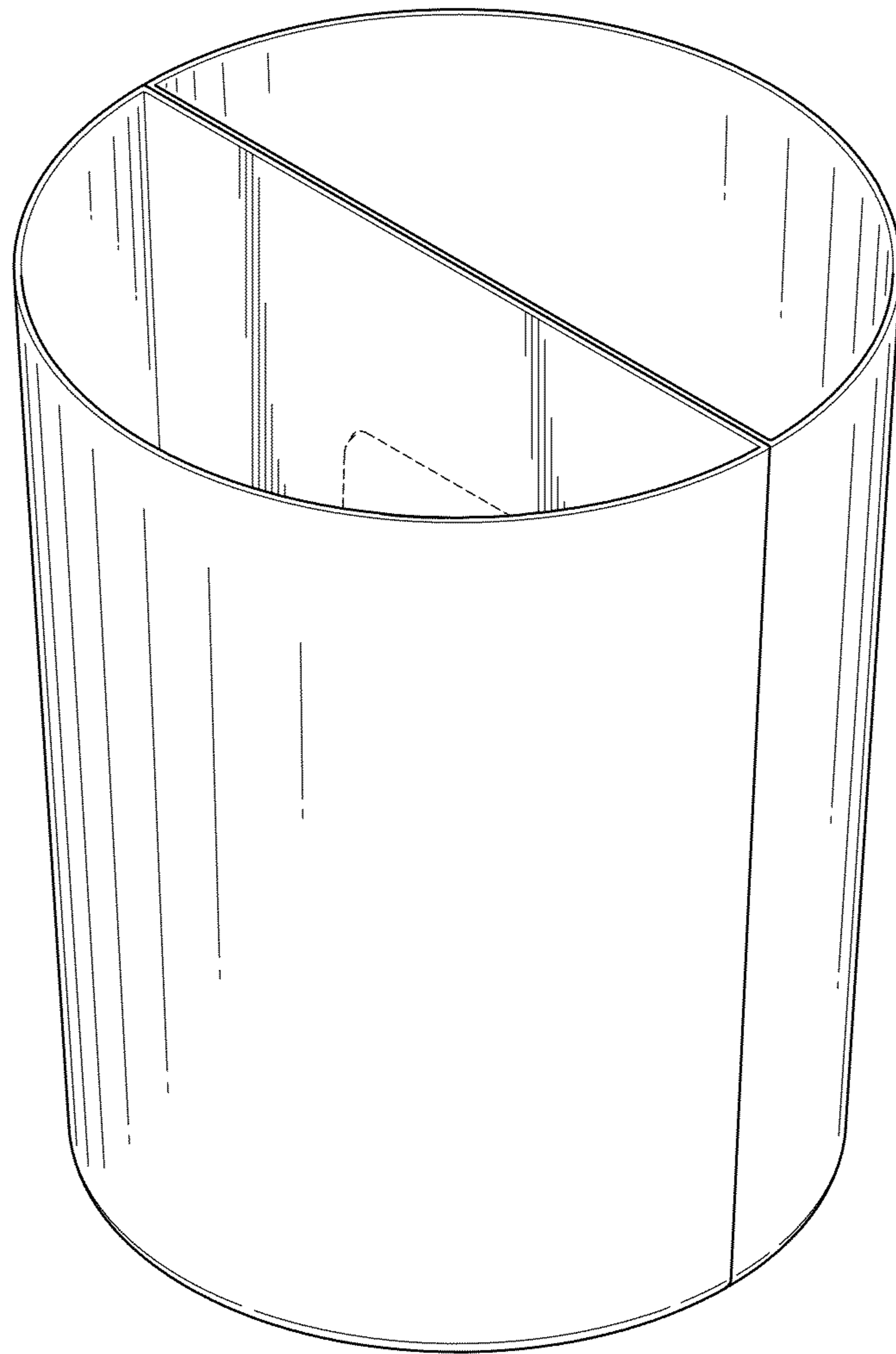
**DESCRIPTION**

FIG. 1 is an isometric view of the combination recycling and trash receptacle bin showing our new design;  
 FIG. 2 is a front elevational view, with the rear view being a mirror image thereof;  
 FIG. 3 is a right side elevational view, with the left side being a mirror image thereof;  
 FIG. 4 is a top plan view thereof;  
 FIG. 5 is a bottom plan view thereof;  
 FIG. 6 is an isometric right side exploded view thereof;  
 FIG. 7 is an isometric left side exploded view thereof;  
 FIG. 8 is a front elevational exploded view thereof;  
 FIG. 9 is a rear elevational exploded view thereof;  
 FIG. 10 is a left side elevational exploded view, with the right side elevational exploded view being a mirror image thereof;  
 FIG. 11 is a top plan exploded view thereof; and,  
 FIG. 12 is a bottom plan exploded view thereof.

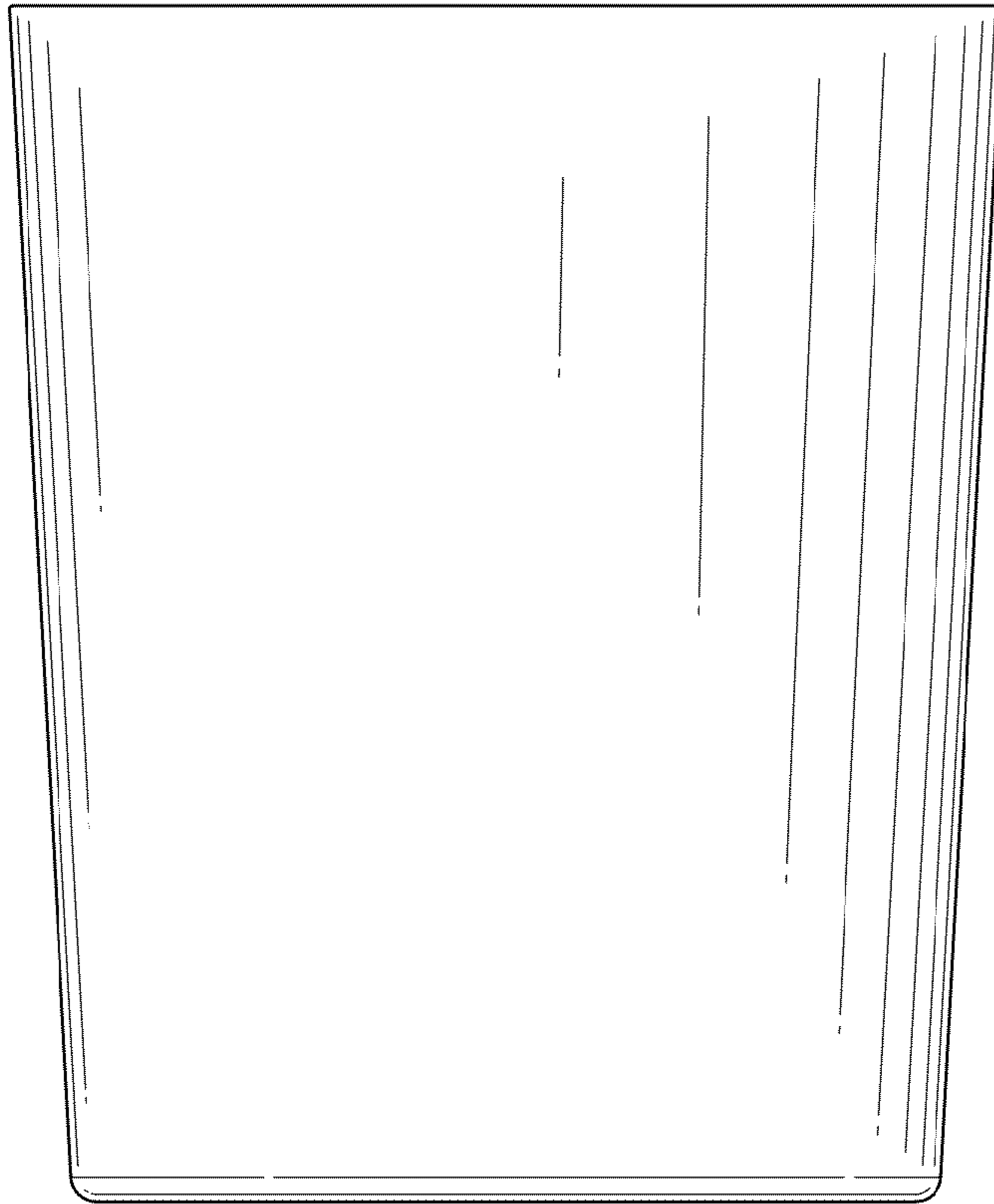
The broken lines shown in the figures are included for the purpose of illustrating portions of the claimed design and forms no part of the claimed design.

**1 Claim, 9 Drawing Sheets**





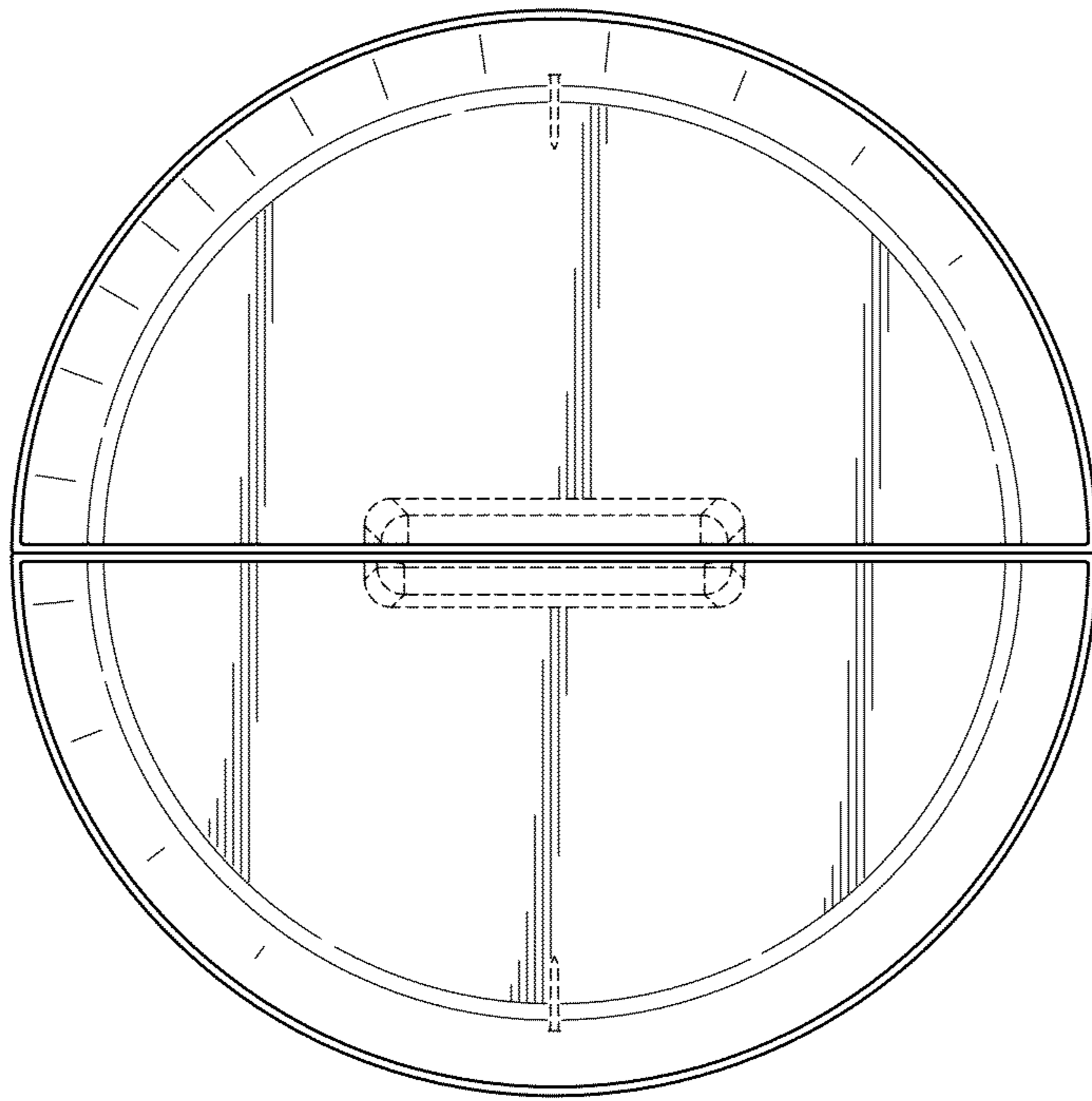
*FIG. 1*



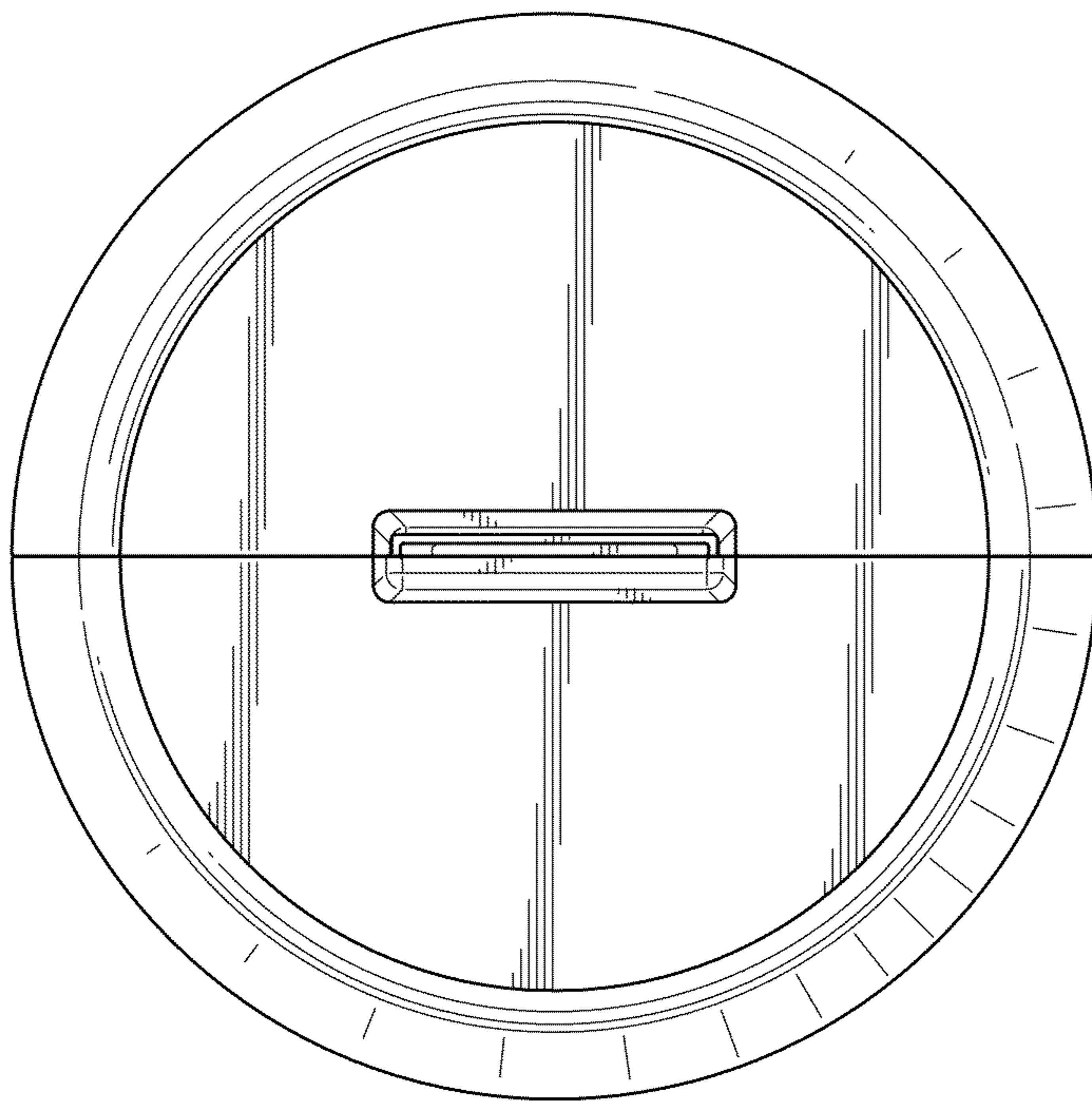
*FIG. 2*



*FIG. 3*

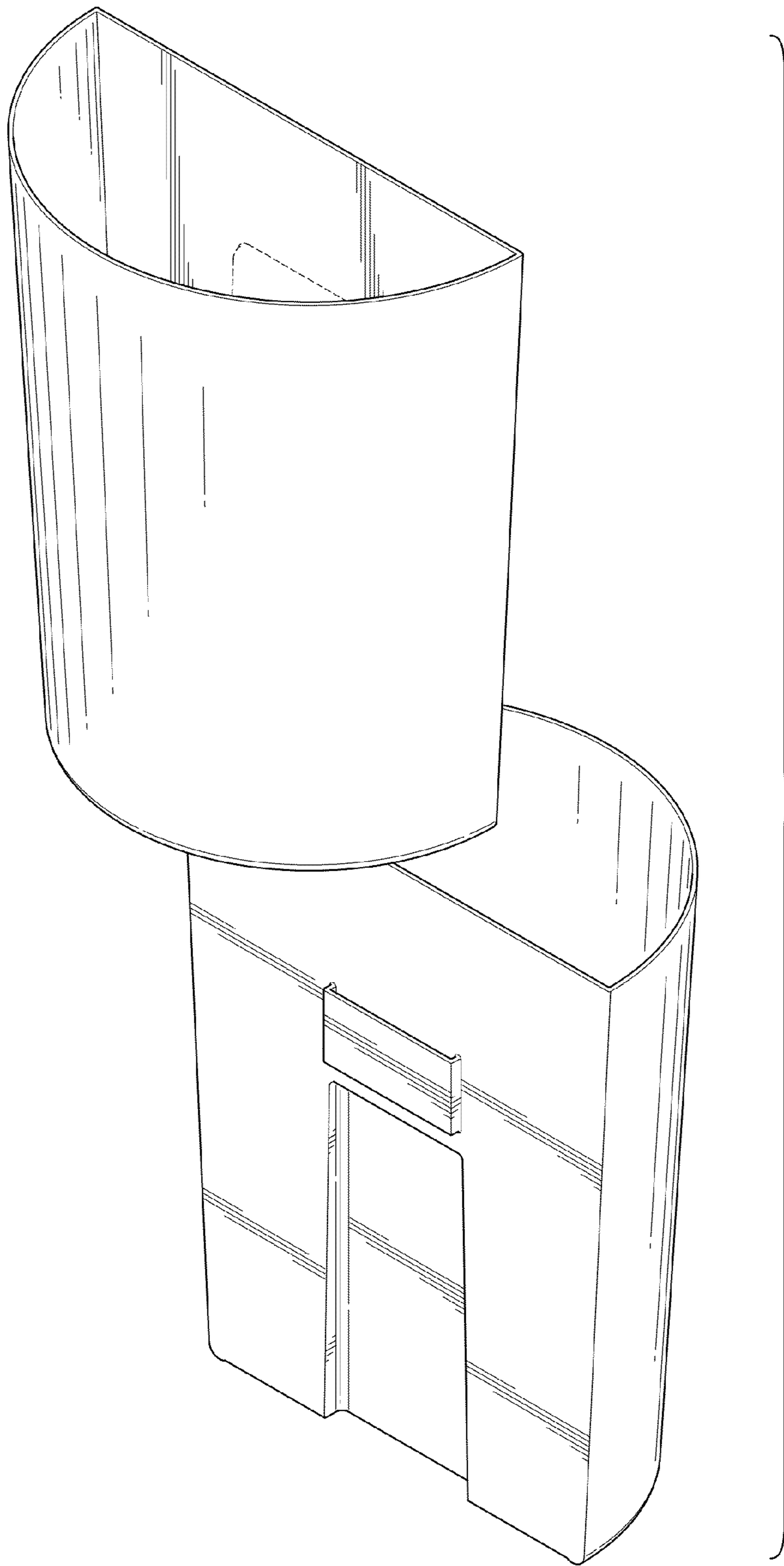


*FIG. 4*

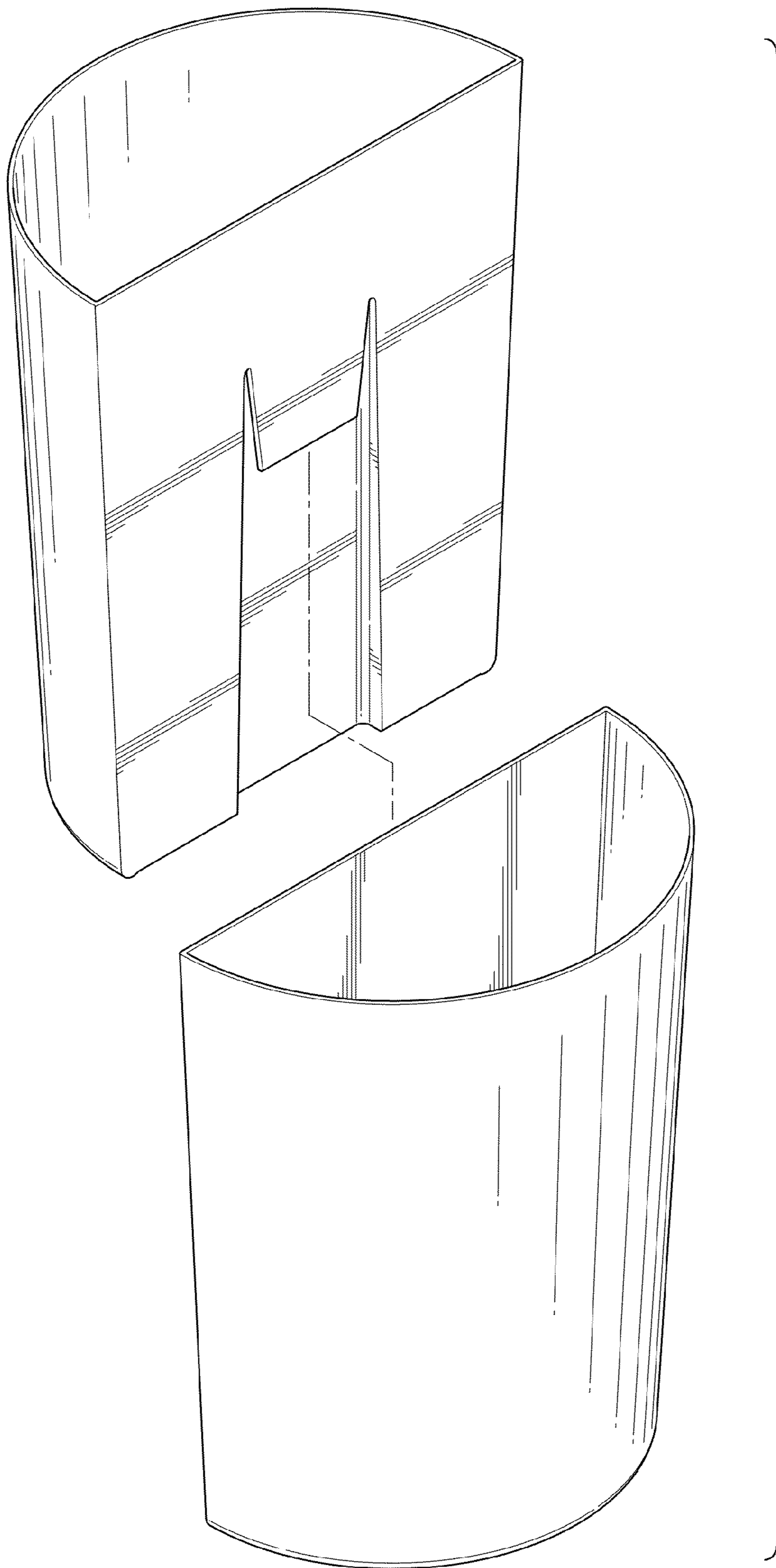


*FIG. 5*

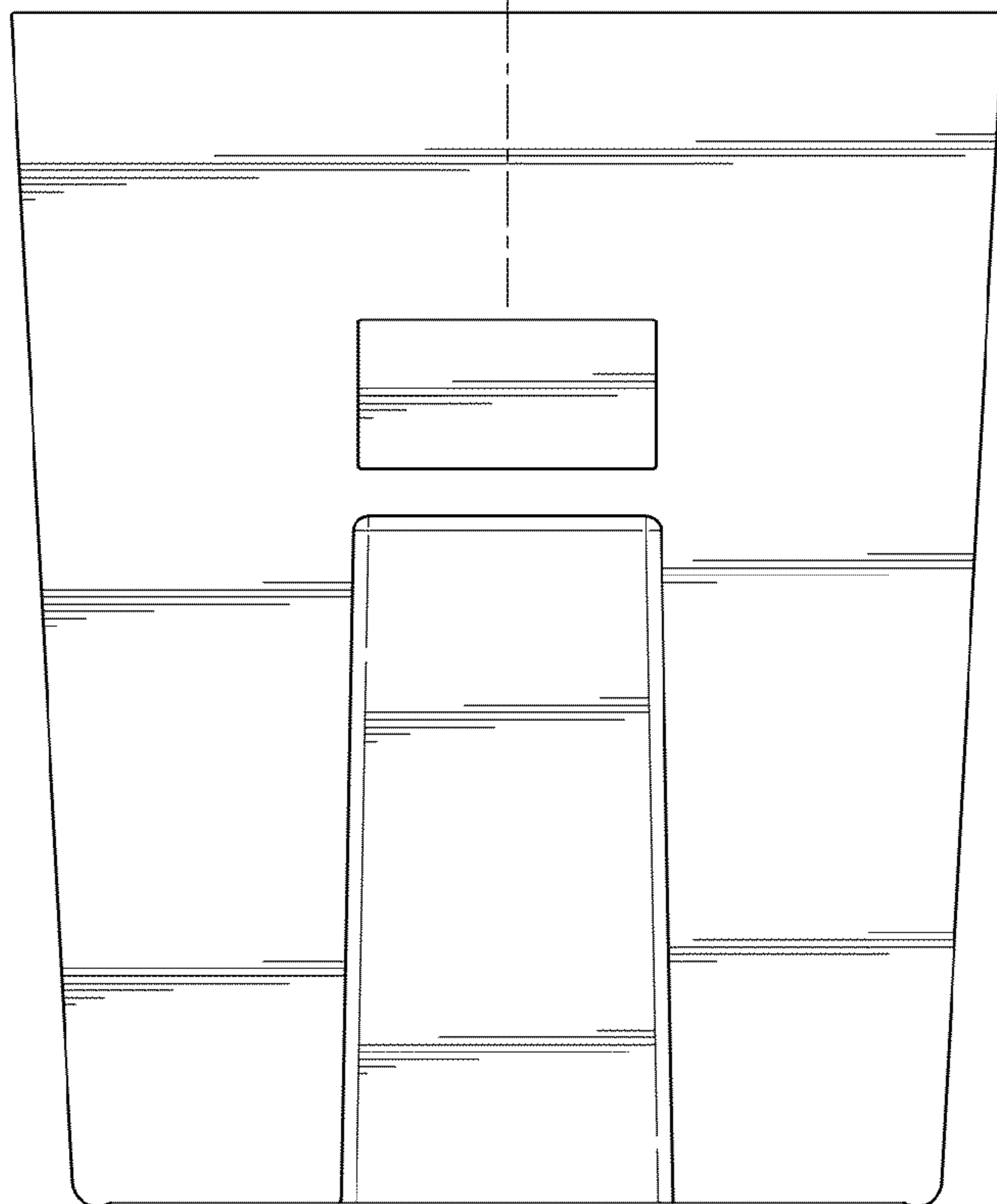
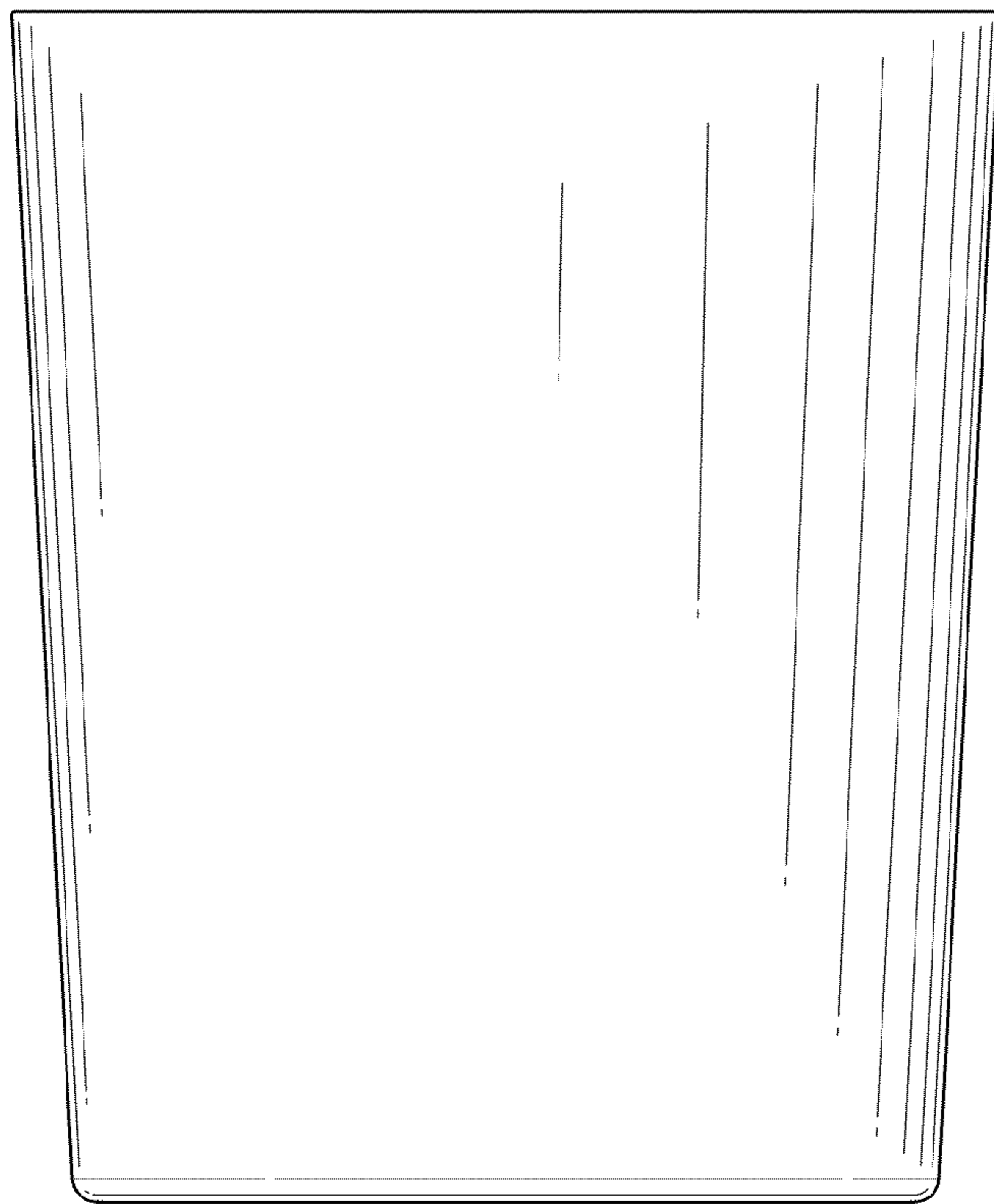




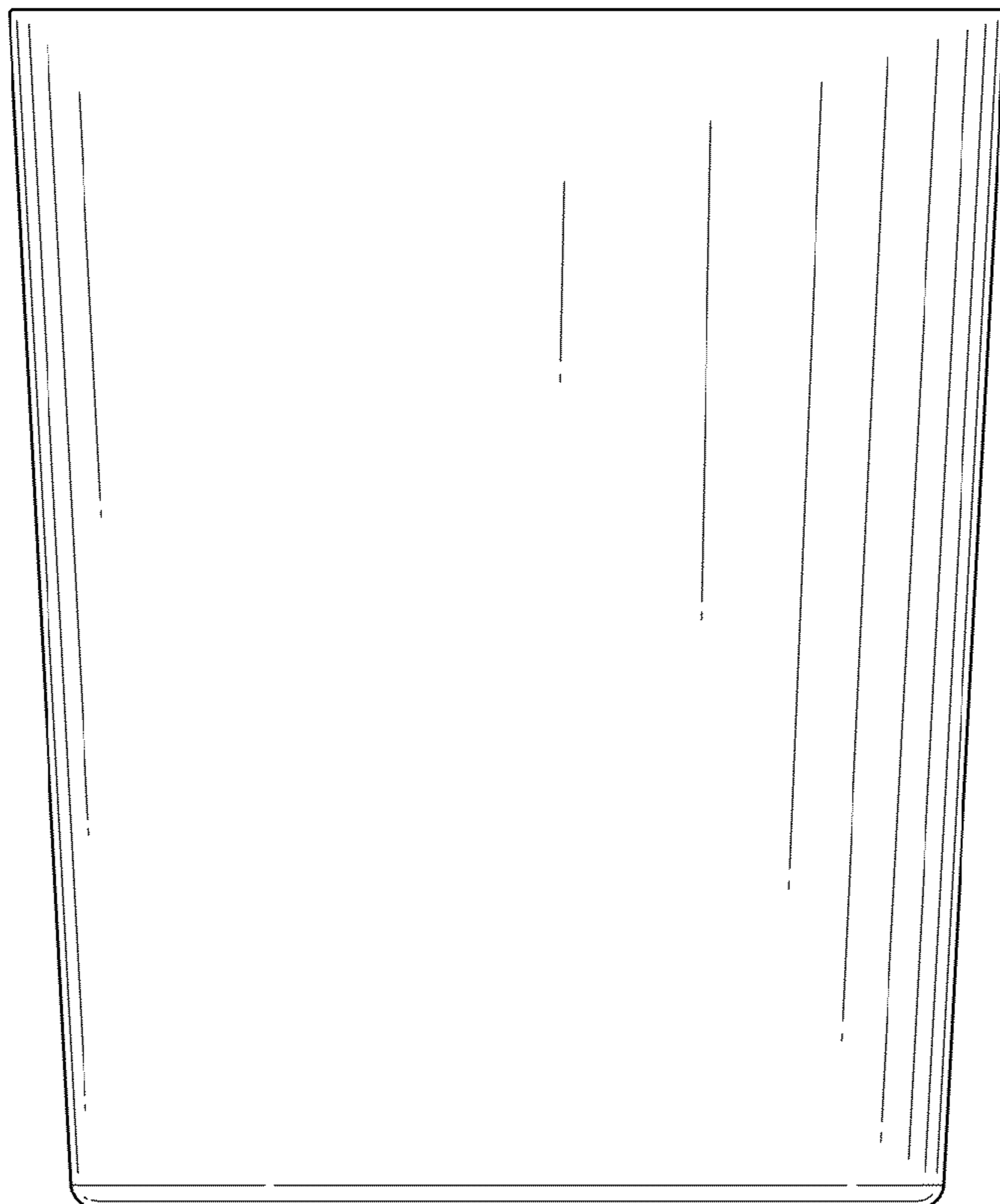
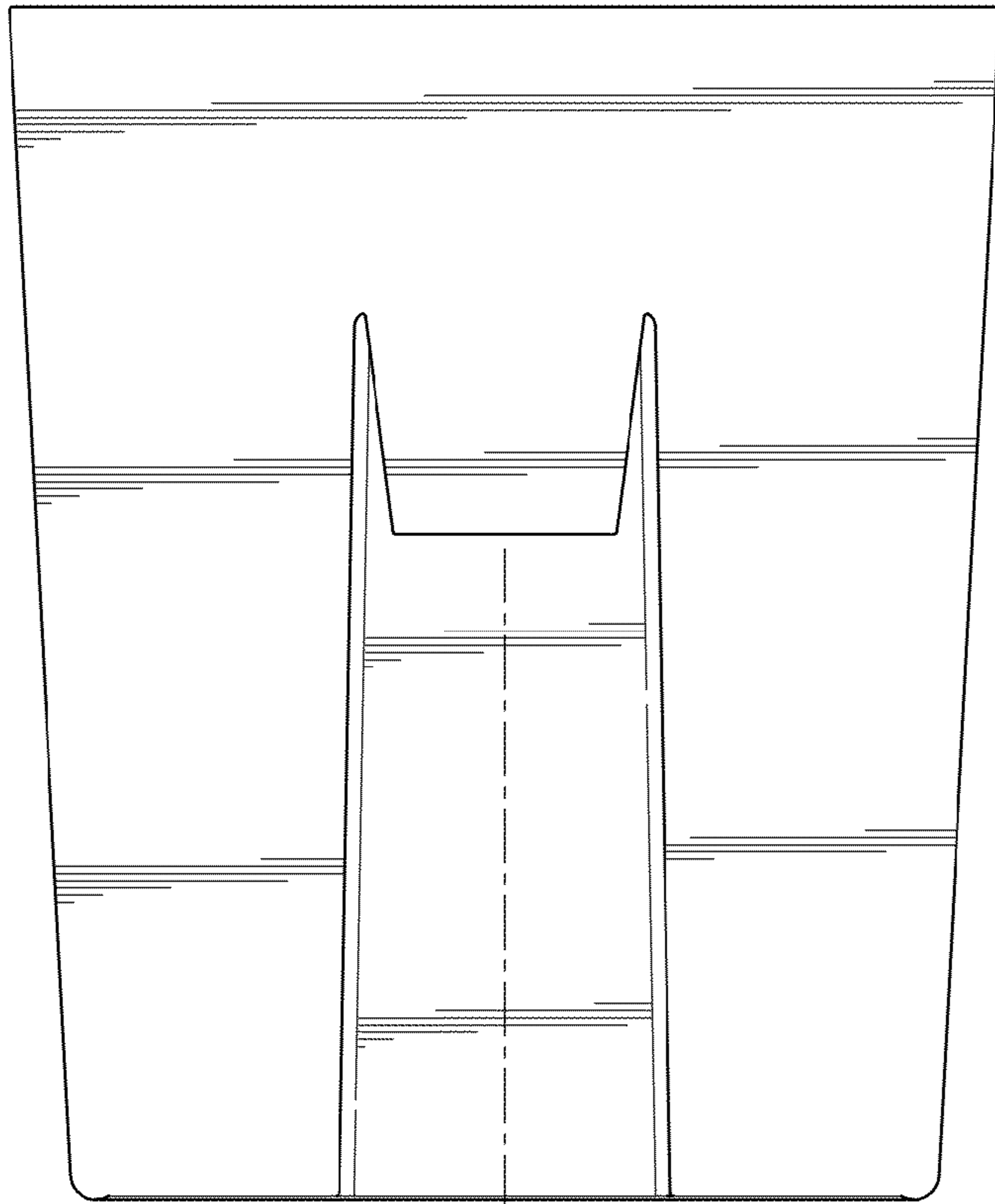
*FIG. 6*



*FIG. 7*



*FIG. 8*

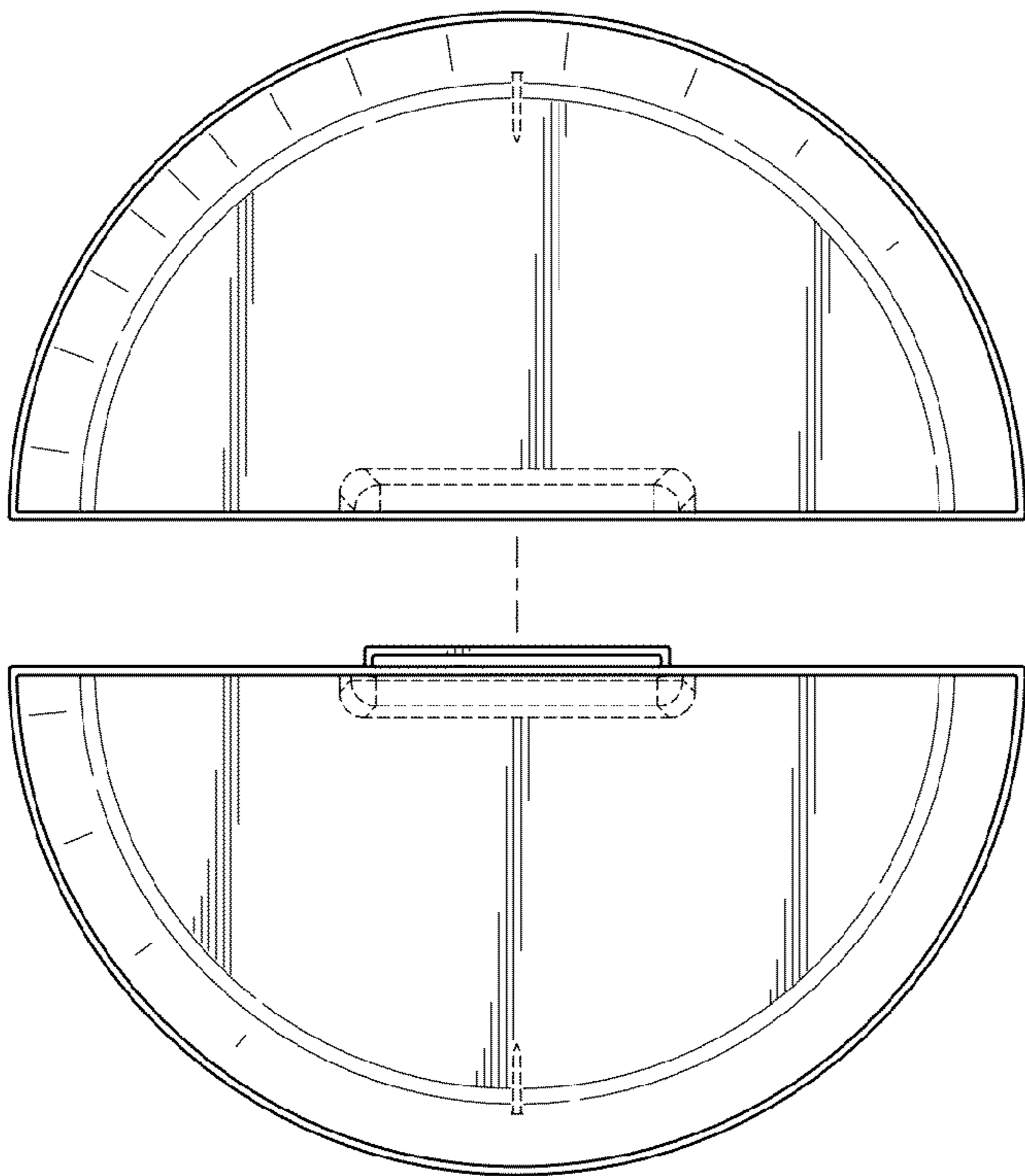


*FIG. 9*

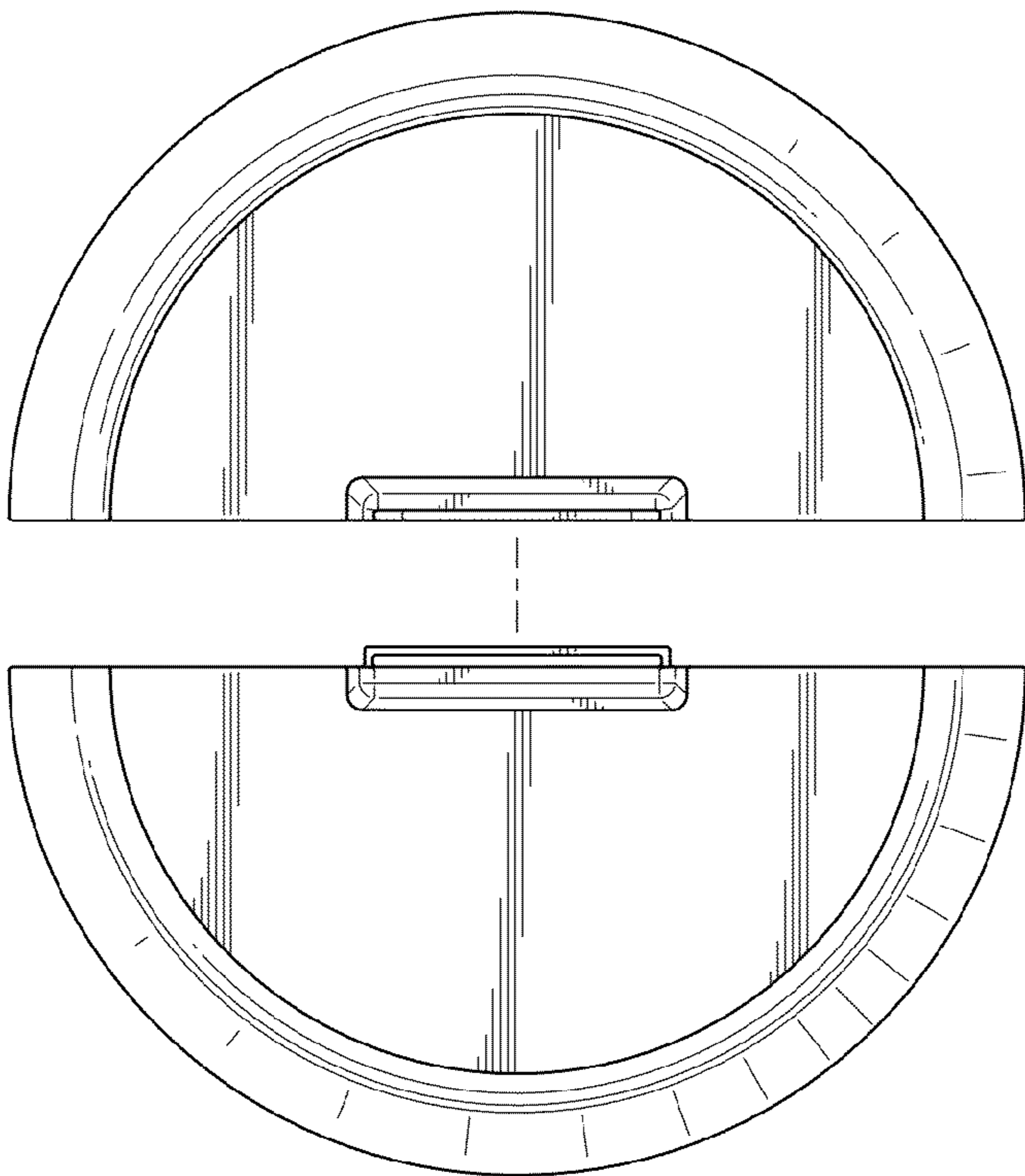




*FIG. 10*



*FIG. 11*



*FIG. 12*