



US00D759329S

(12) **United States Design Patent**
Colangelo

(10) **Patent No.:** **US D759,329 S**
(45) **Date of Patent:** **** Jun. 14, 2016**

(54) **MOP HEAD**

- (71) Applicant: **Joseph M Colangelo**, Boca Raton, FL (US)
- (72) Inventor: **Joseph M Colangelo**, Boca Raton, FL (US)
- (73) Assignee: **EZP International**, Boca Raton, FL (US)
- (**) Term: **14 Years**
- (21) Appl. No.: **29/476,433**
- (22) Filed: **Dec. 13, 2013**
- (51) **LOC (10) Cl.** **15-05**
- (52) **U.S. Cl.**
USPC **D32/50**
- (58) **Field of Classification Search**
USPC D32/35, 40, 50-53; 15/115, 118,
15/229.1-229.9, 147.1-147.2, 208, 209.1,
15/210.1, 228, 119.1, 119.2, 105, 152
See application file for complete search history.

(56) **References Cited**

U.S. PATENT DOCUMENTS

D391,715 S *	3/1998	Irwin et al.	D32/50
D427,401 S *	6/2000	Kunkler	D32/50
D428,226 S *	7/2000	Kunkler	D32/45
D465,890 S *	11/2002	Rivera et al.	D32/50
D503,836 S *	4/2005	Hall et al.	D32/50
D506,050 S *	6/2005	Lalanne et al.	D32/45
D514,267 S *	1/2006	Tsai	D32/45

(Continued)

FOREIGN PATENT DOCUMENTS

KR	300506000-0000	*	9/2008
WO	WO D71563-003	*	8/2009
WO	WO D72039-001	*	3/2010

OTHER PUBLICATIONS

Amazon.com—ProMist Microfiber Spray Mop—Wet Mops, review date Oct. 23, 2011, [online], <<http://www.amazon.com/O-Cedar-SFS-ONLY-ProMist-Microfiber/dp/B004HBCIR6#customerReviews>>, [site visited Jan. 13, 2015 6:44:20 PM].*

(Continued)

Primary Examiner — John Windmuller

Assistant Examiner — John R Yeh

(74) *Attorney, Agent, or Firm* — Smith Risley Tempel Santos LLC; Gregory Scott Smith

(57) **CLAIM**

The ornamental design for a mop head, as shown and described.

DESCRIPTION

FIG. 1 is a perspective view of the of my new ornamental design of a mop head shown in the environment of a mop handle;

FIG. 2 is an exploded view of my ornamental design;

FIG. 3 is a bottom angle perspective view of my ornamental design;

FIG. 4 is a top plan view of my ornamental design;

FIG. 5 is a bottom plan view of my ornamental design;

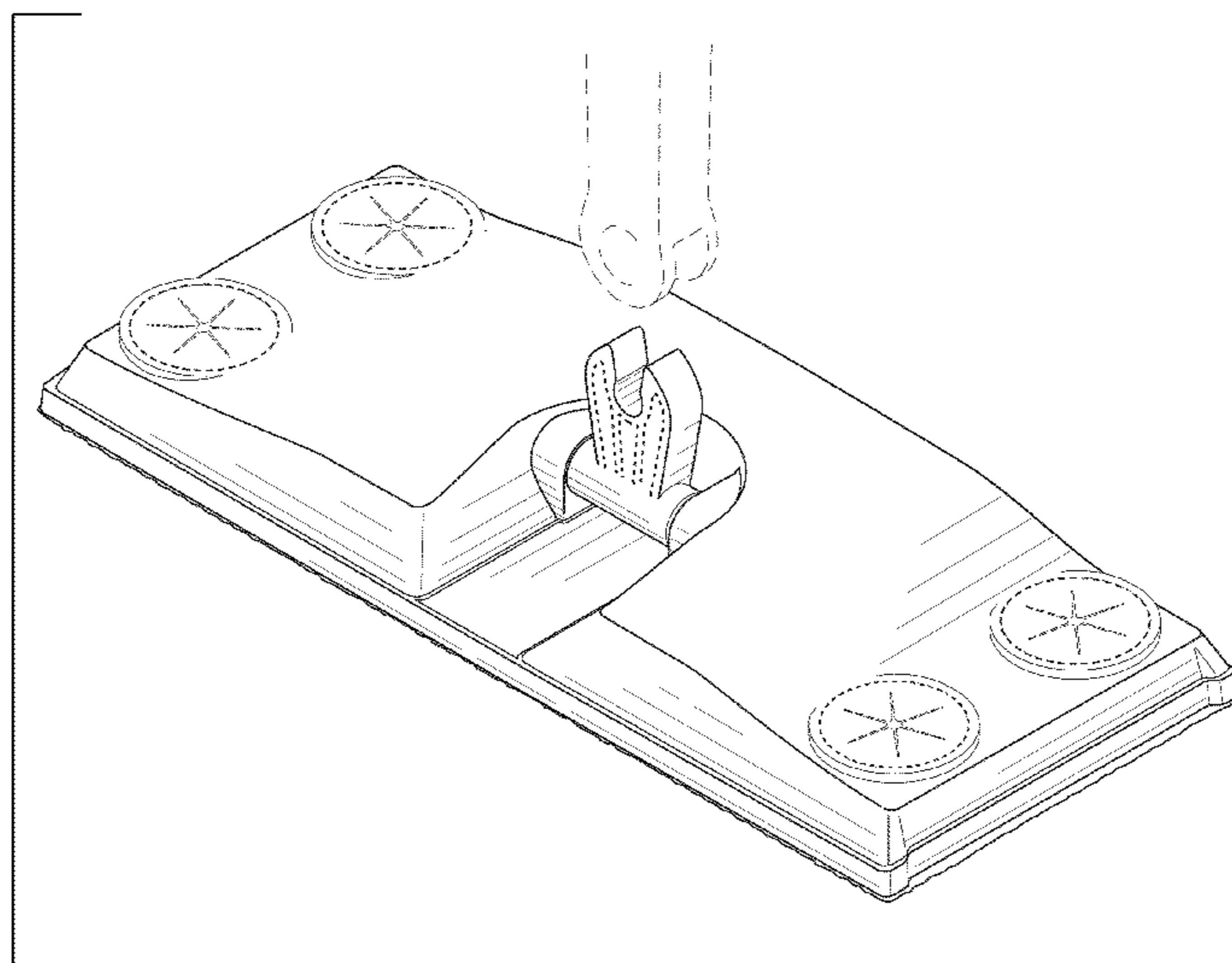
FIG. 6 is a front elevation view of my ornamental design;

FIG. 7 is a rear elevation view of my ornamental design;

FIG. 8 is a right side elevation view of my ornamental design; and,

FIG. 9 is a left side elevation view of my ornamental design. The broken lines throughout the various figures form no part of the claim and the handle, illustrated with broken lines is provide for environmental reference and does not form any part of the claim. The shading on the two strips on the bottom of the mop head as illustrated in FIG. 3 and in FIG. 5 is to illustrate that the texture of the two strips is different than the texture of the remainder of the bottom.

1 Claim, 7 Drawing Sheets



(56)

References Cited

OTHER PUBLICATIONS

U.S. PATENT DOCUMENTS

D518,935 S * 4/2006 Leitch et al. D32/50
D545,019 S * 6/2007 Harper et al. D32/50
D563,068 S * 2/2008 Jiang et al. D32/50
7,555,814 B2 * 7/2009 Lee et al. 15/403
D597,718 S * 8/2009 McNeil et al. D32/45
2002/0042962 A1 * 4/2002 Willman et al. 15/208
2003/0074756 A1 * 4/2003 Policicchio et al. 15/228
2003/0135948 A1 * 7/2003 Holt et al. 15/228
2007/0141299 A1 * 6/2007 Hong 428/97
2010/0043167 A1 * 2/2010 Bradbury et al. 15/228

Amazon.com—Rubbermaid Reveal Spray Mop—Wet Mops, review
date Dec. 23, 2011, [online], <<http://www.amazon.com/Rubbermaid-2856049-Reveal-Spray-Mop/dp/B003YHF4AC>>, [site visited Jan. 13, 2015 6:45:37 PM].*

* cited by examiner

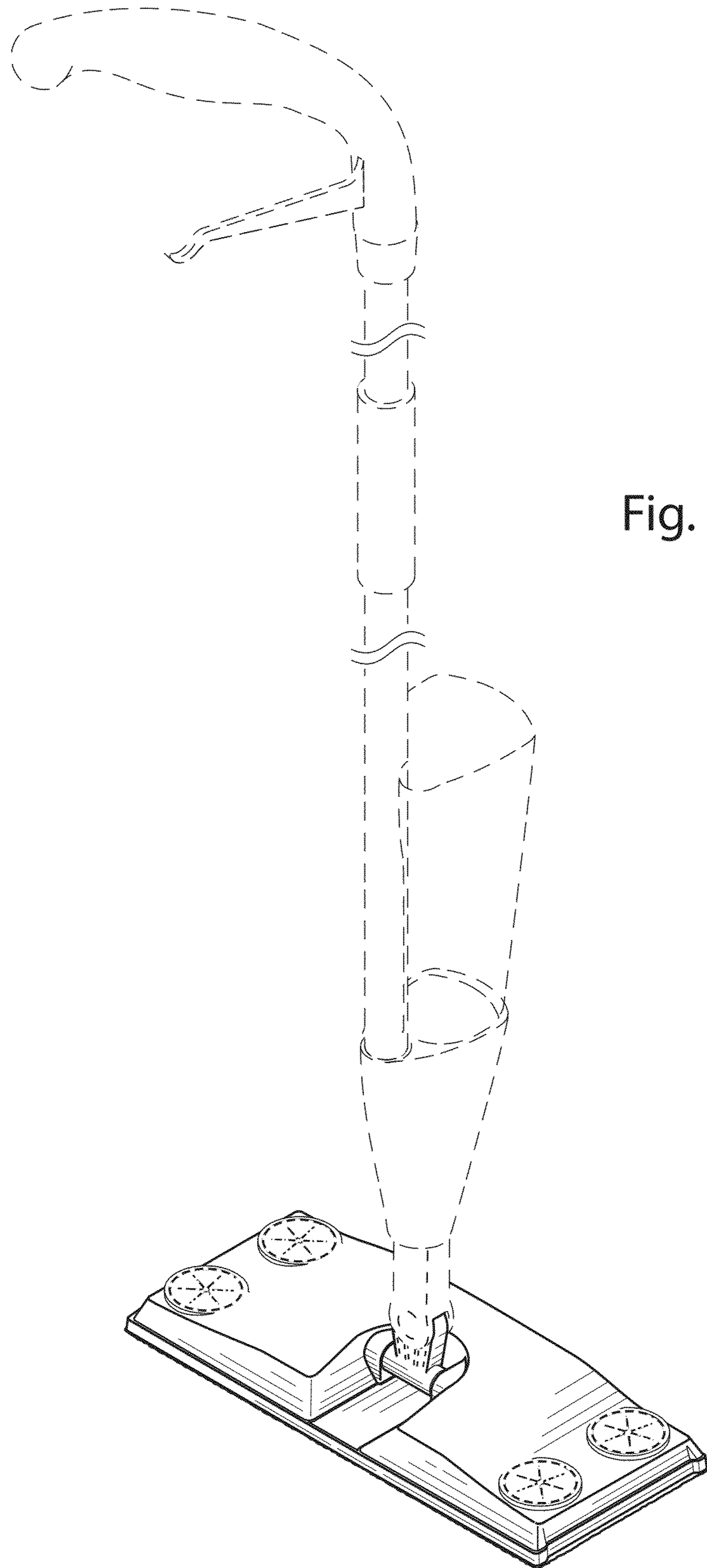
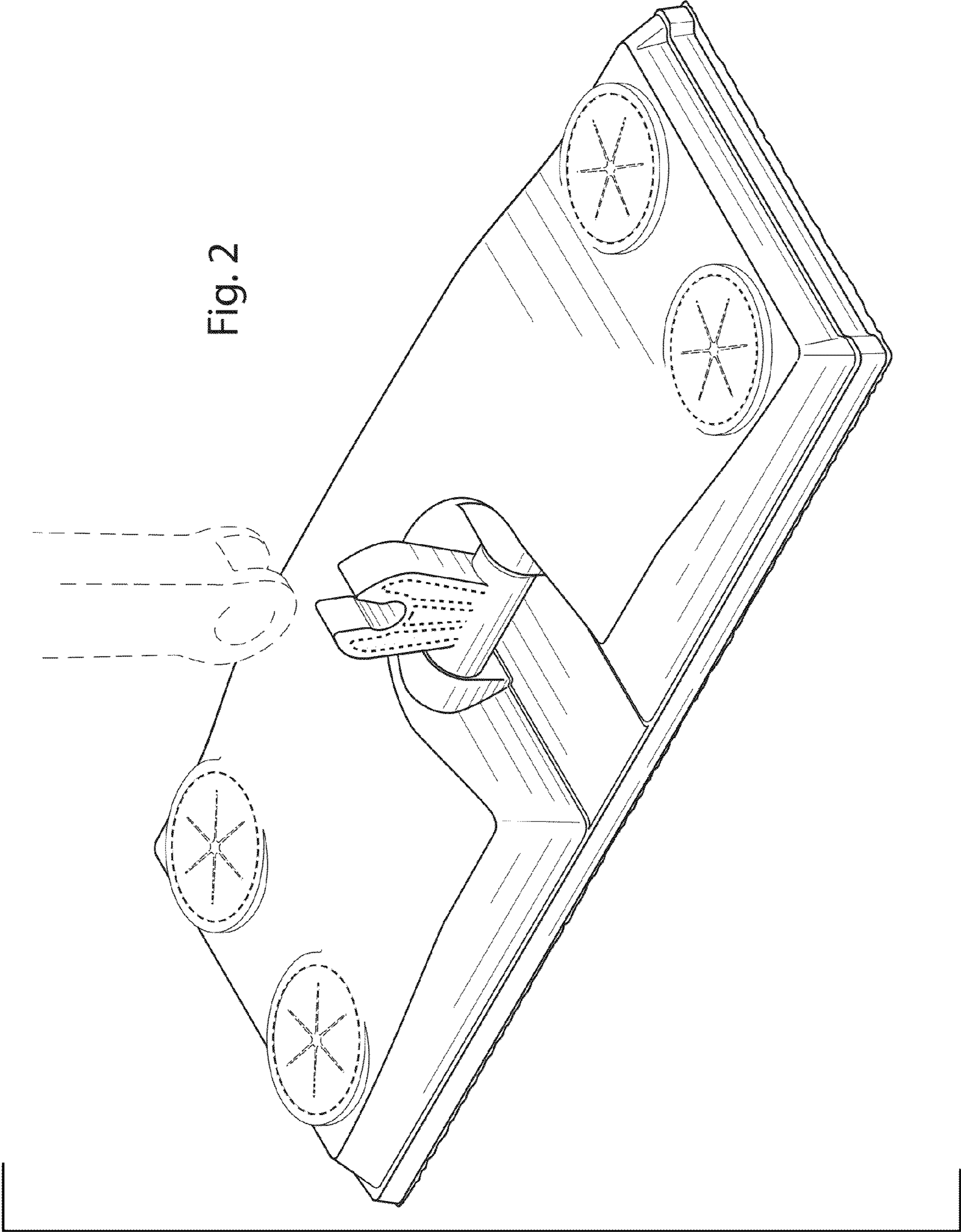


Fig. 1

Fig. 2



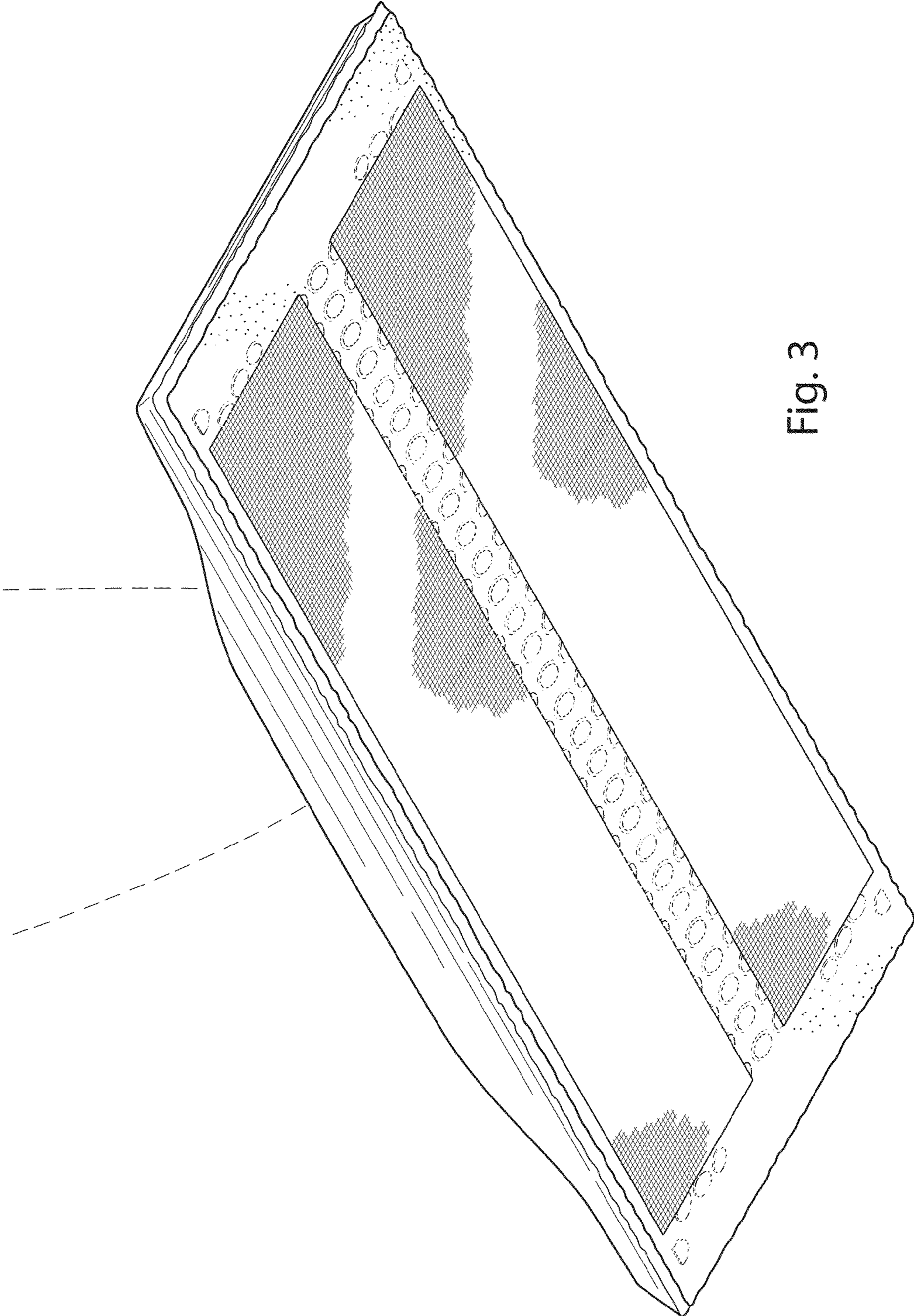


Fig. 3

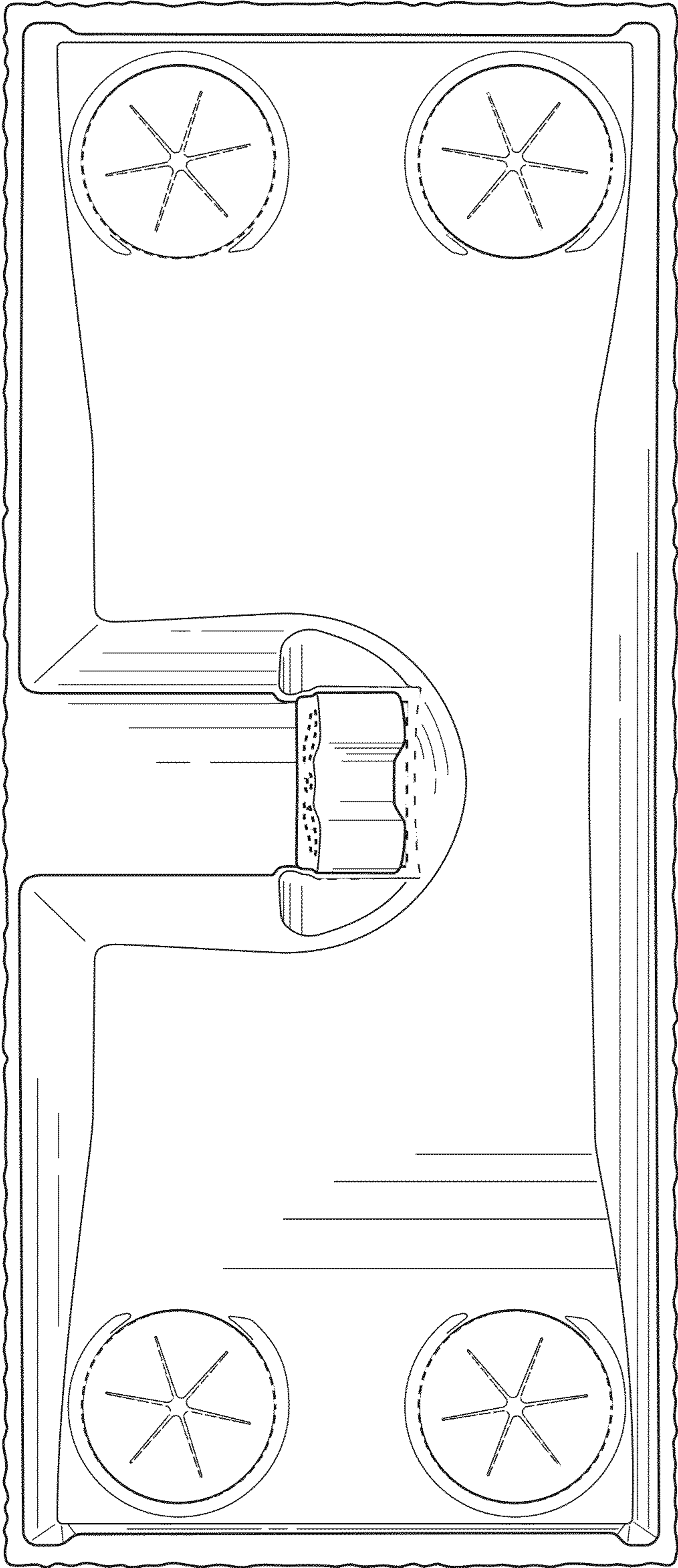


Fig. 4

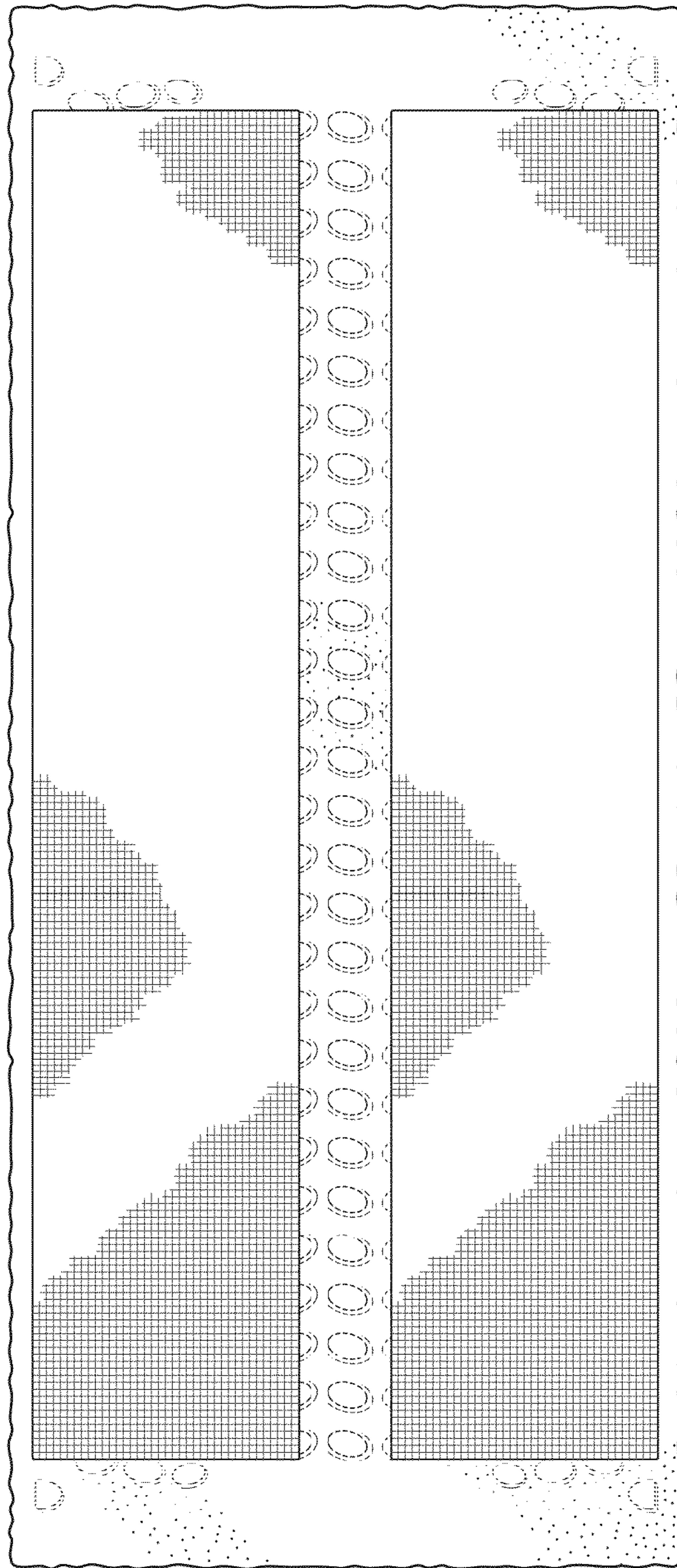


Fig. 5

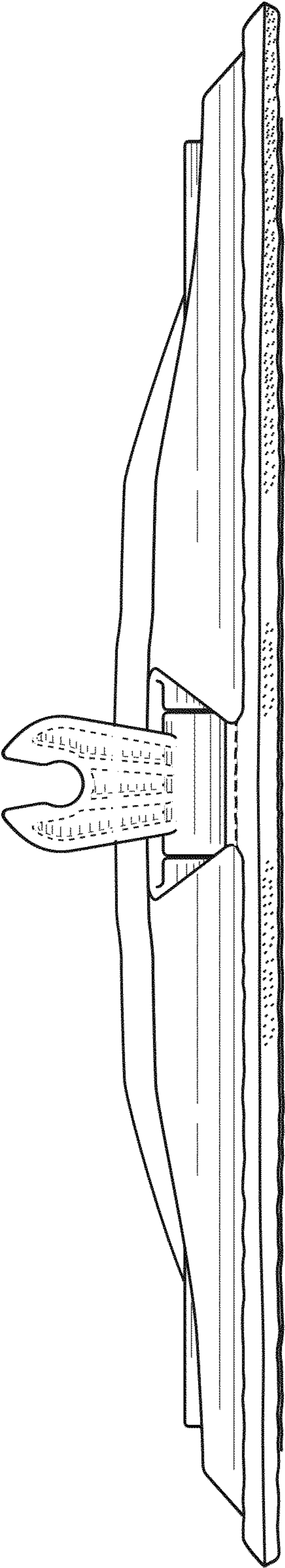


Fig. 6

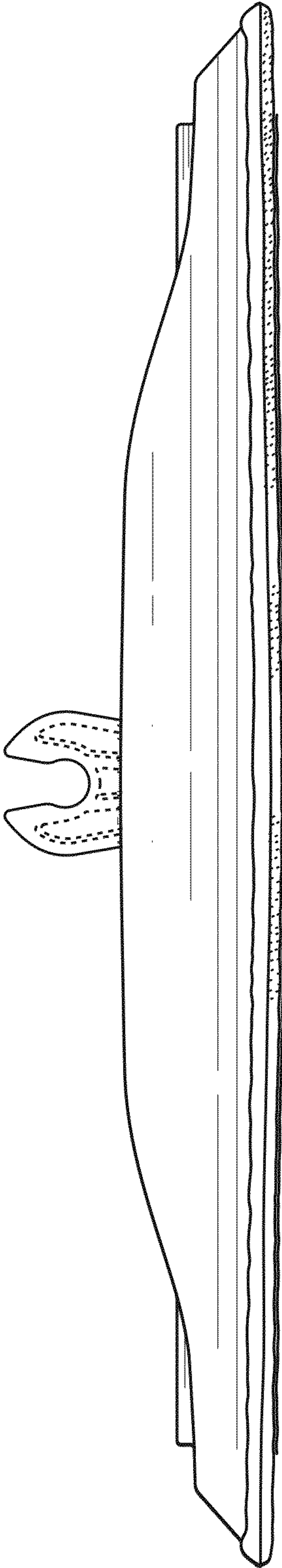


Fig. 7

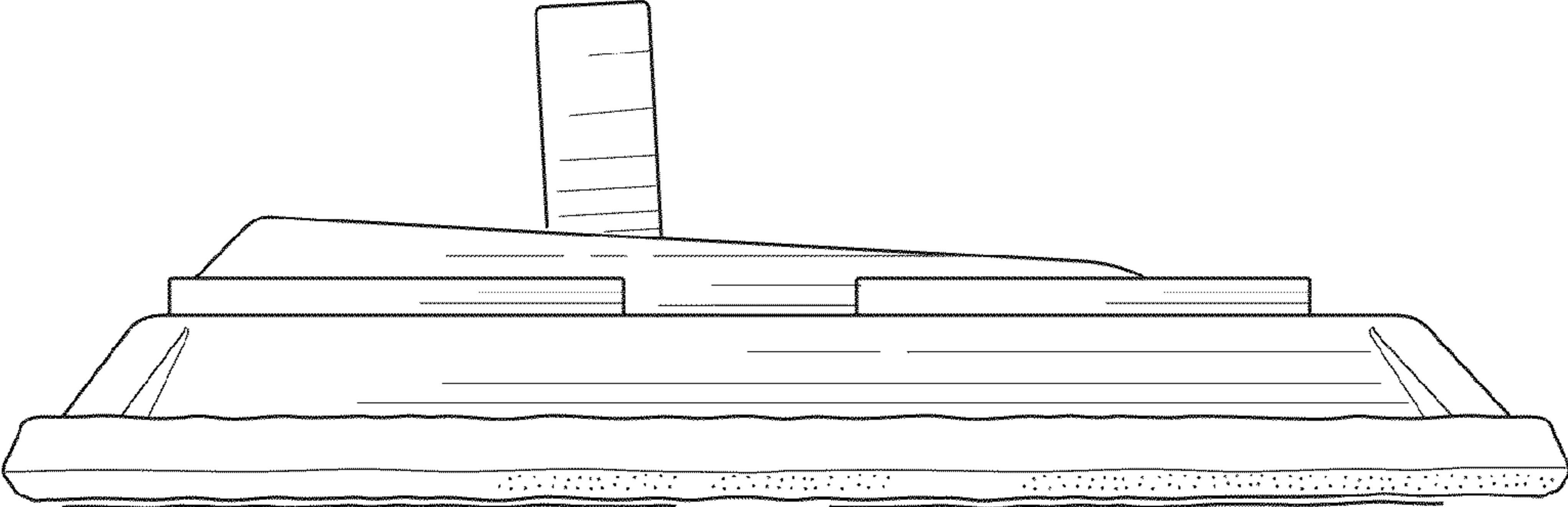


Fig. 8

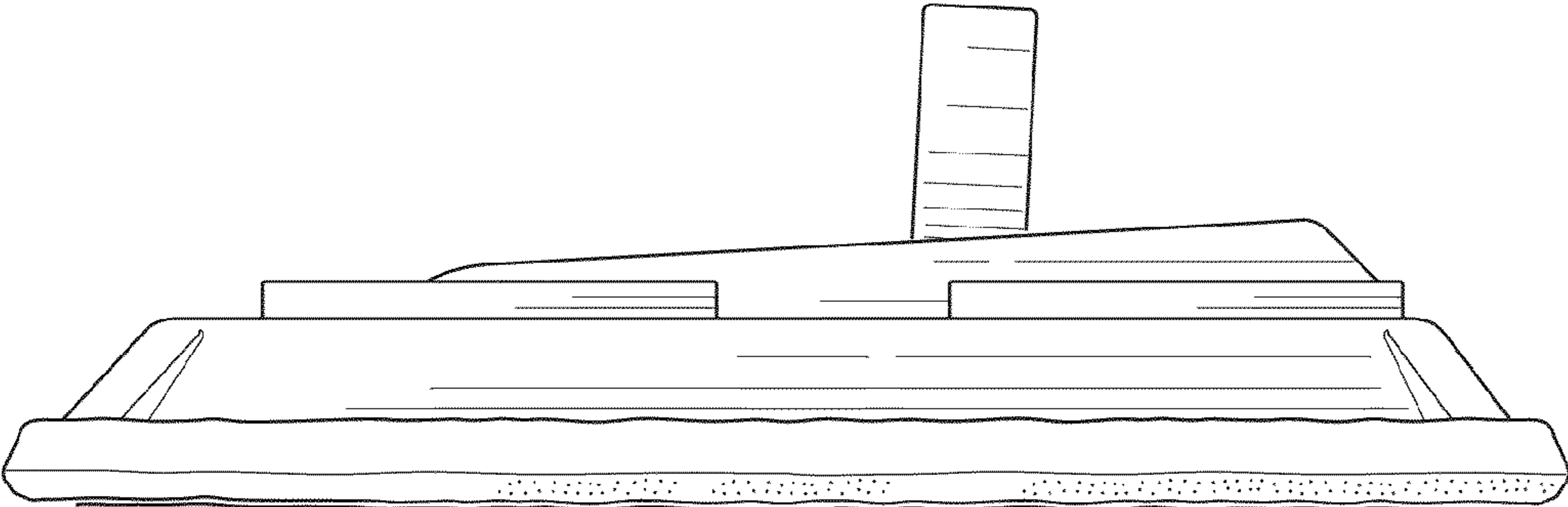


Fig. 9