



US00D759326S

(12) **United States Design Patent**  
**Jeon et al.**

(10) **Patent No.:** **US D759,326 S**

(45) **Date of Patent:** **\*\* Jun. 14, 2016**

(54) **CLOTHES DRYER**

(71) Applicant: **LG Electronics Inc.**, Seoul (KR)

(72) Inventors: **Ho Il Jeon**, Seoul (KR); **Eun Young Chee**, Seoul (KR); **Ki Hyuk Kim**, Seoul (KR); **Hye Rim An**, Seoul (KR); **Ne Rry Son**, Seoul (KR)

(73) Assignee: **LG Electronics Inc.**, Seoul (KR)

(\*\*) Term: **14 Years**

(21) Appl. No.: **29/514,072**

(22) Filed: **Jan. 8, 2015**

(30) **Foreign Application Priority Data**

Aug. 5, 2014 (KR) ..... 30-2014-0038324

(51) **LOC (10) Cl.** ..... **15-05**

(52) **U.S. Cl.**  
USPC ..... **D32/25**

(58) **Field of Classification Search**  
USPC ..... D32/6, 25, 1, 5, 8, 10; 312/228  
CPC ..... D06F 58/00; D06F 58/02; D06F 58/10;  
D06F 58/20; D06F 21/00; D06F 21/02;  
D06F 21/04; D06F 21/10; D06F 21/14;  
D06F 23/00; D06F 25/00; D06F 27/00;  
D06F 29/00; D06F 31/00; D06F 37/00;  
D06F 39/00

See application file for complete search history.

(56) **References Cited**

**U.S. PATENT DOCUMENTS**

- 3,321,100 A \* 5/1967 Toma ..... E05D 15/50  
220/835
- 5,195,647 A \* 3/1993 Studt ..... D06F 58/04  
220/810
- D527,853 S \* 9/2006 Carey ..... D32/6
- 7,549,305 B2 \* 6/2009 Yun ..... D06F 37/28  
68/12.01
- D661,852 S \* 6/2012 Song ..... D32/8
- 8,627,692 B2 \* 1/2014 Tooker ..... D06F 39/14  
68/196
- D703,887 S \* 4/2014 Lee ..... D32/8

D729,467 S \* 5/2015 Jee ..... D32/6  
D746,003 S \* 12/2015 Shin ..... D32/2

\* cited by examiner

*Primary Examiner* — Susan Bennett Hattan

*Assistant Examiner* — Rebecca Tsehaye

(74) *Attorney, Agent, or Firm* — Morgan, Lewis & Bockius LLP

(57) **CLAIM**

We claim the ornamental design for a clothes dryer, as shown and described.

**DESCRIPTION**

FIG. 1 is a perspective view of a clothes dryer showing our new design:

FIG. 2 is a front elevation view thereof;

FIG. 3 is a rear elevation view thereof;

FIG. 4 is a left-side elevation view thereof;

FIG. 5 is a right-side elevation view thereof;

FIG. 6 is a top plan view thereof;

FIG. 7 is a bottom plan view thereof;

FIG. 8 is a perspective view showing a door halfway opened in the left-to-right direction;

FIG. 9 is a front elevation view showing the door halfway opened in the left-to-right direction;

FIG. 10 is a perspective view showing the door fully closed;

FIG. 11 is a front elevation view showing the door fully closed;

FIG. 12 is a perspective view showing the door halfway opened in the top-to-bottom direction;

FIG. 13 is a front elevation view showing the door halfway opened in the top-to-bottom direction;

FIG. 14 is a perspective view showing the door fully opened in the top-to-bottom direction; and,

FIG. 15 is a front elevation view showing the door fully opened in the top-to-bottom direction.

The broken lines in the drawing figures are included for the purpose of illustrating environment and form no part of the claimed design.

**1 Claim, 15 Drawing Sheets**

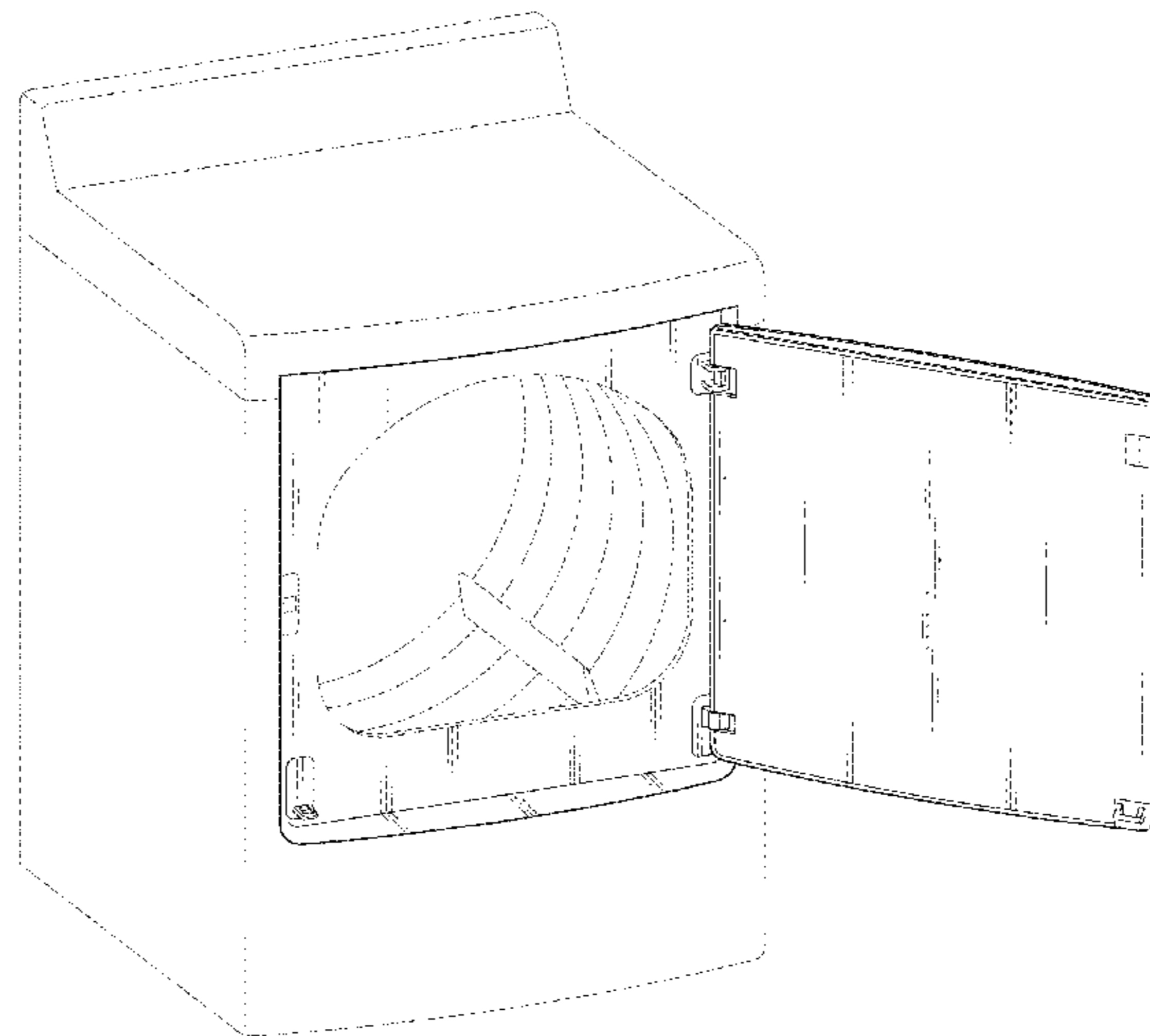


FIG. 1

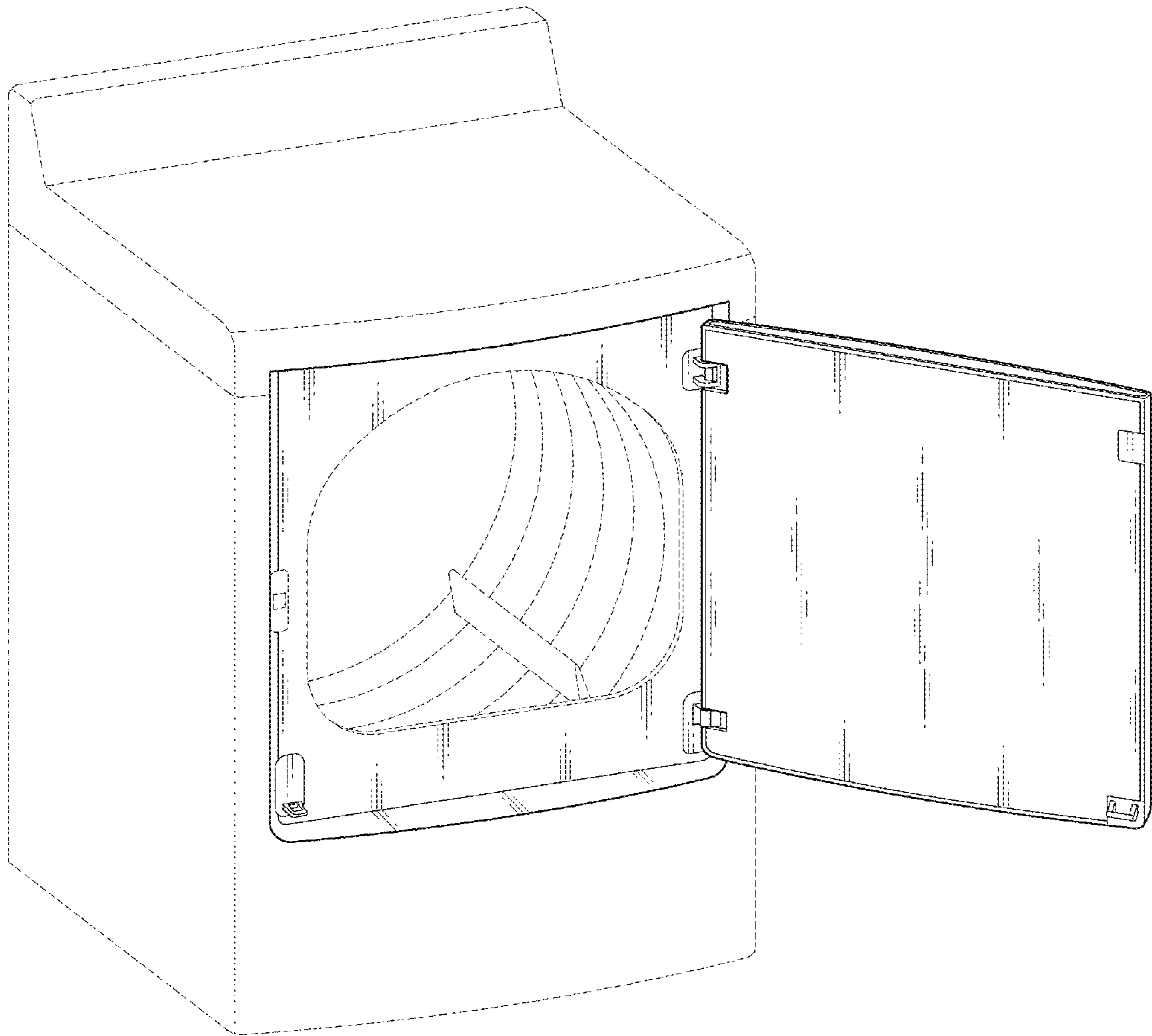


FIG. 2

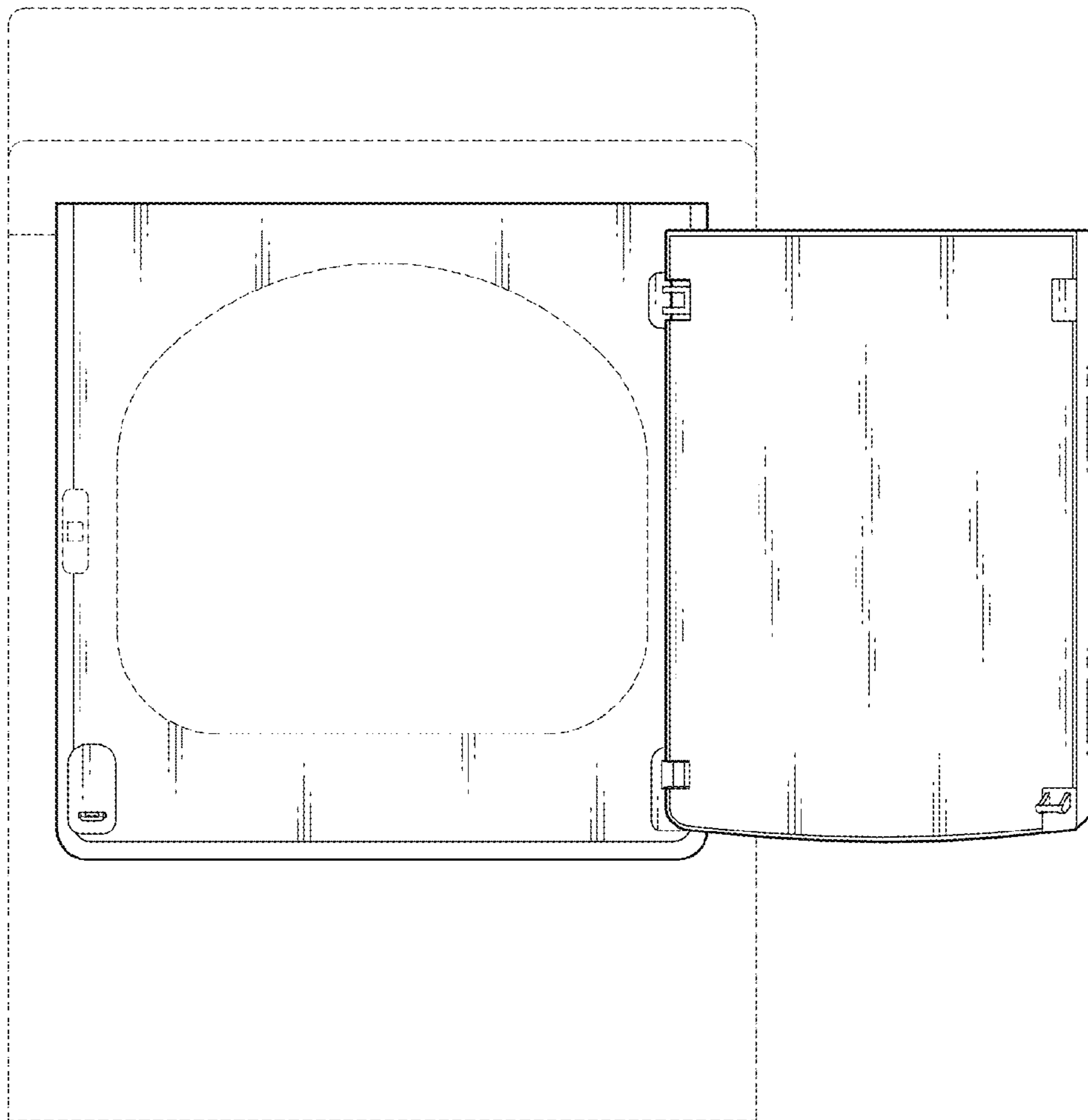


FIG. 3

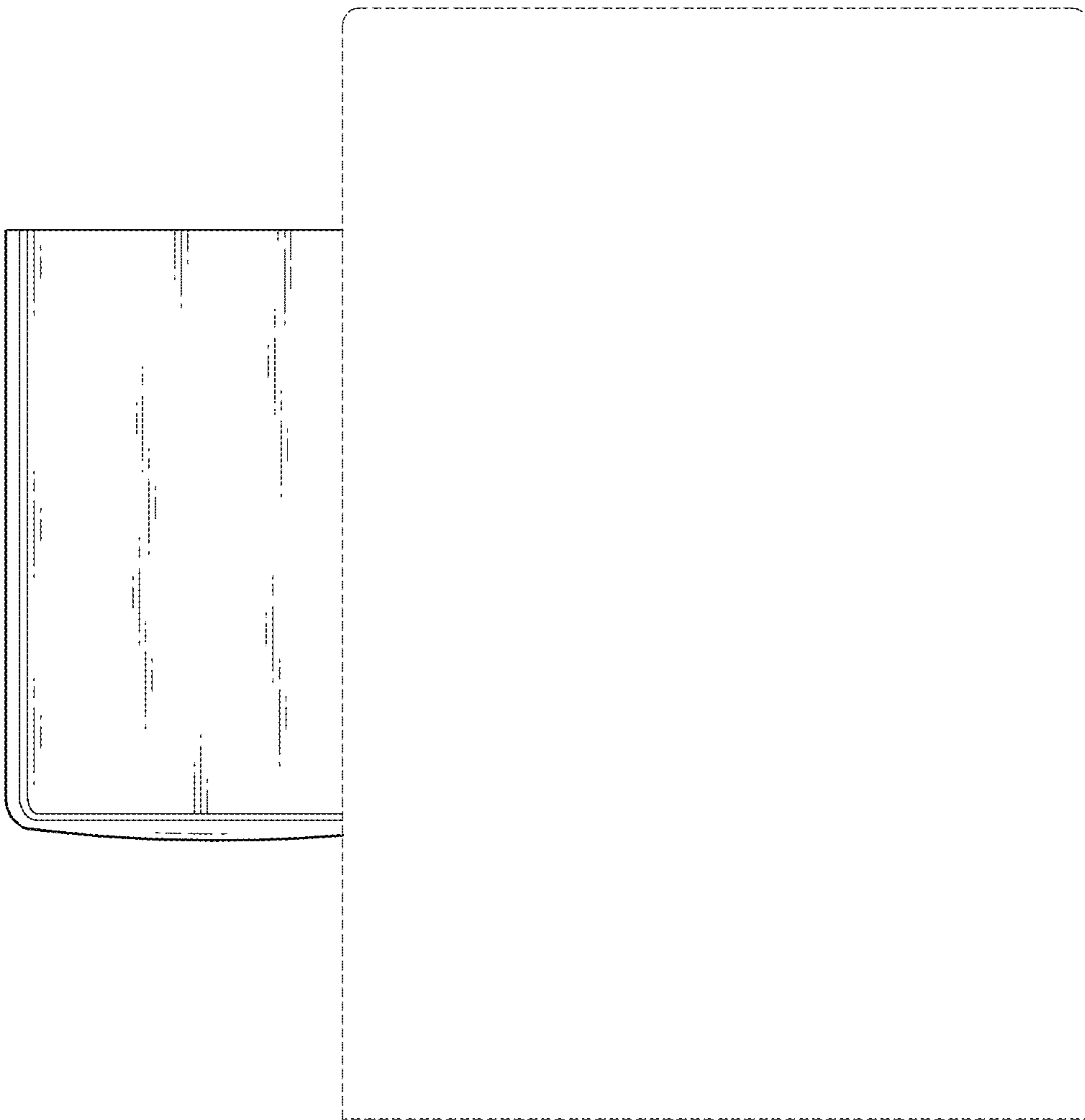


FIG. 4

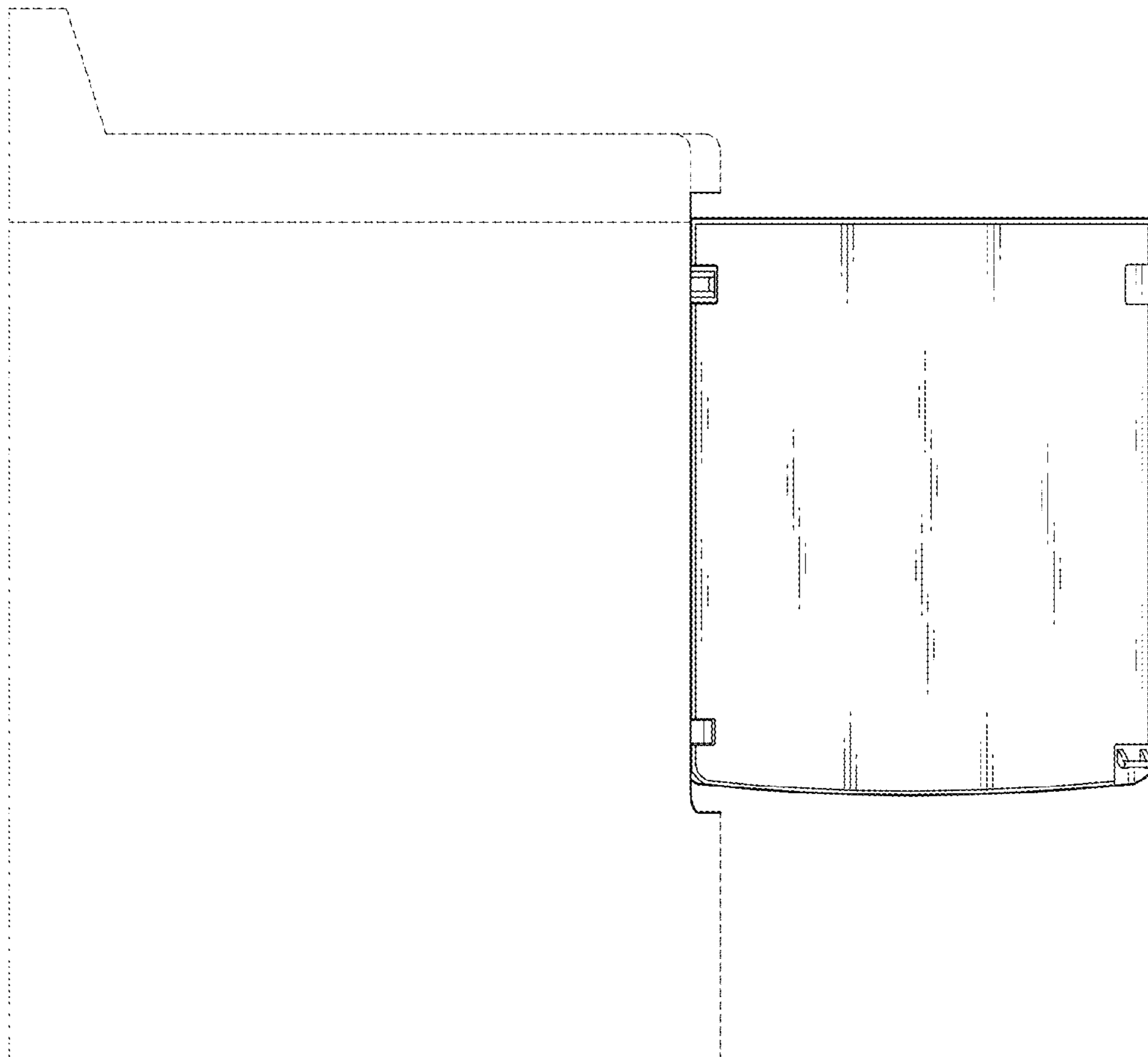


FIG. 5

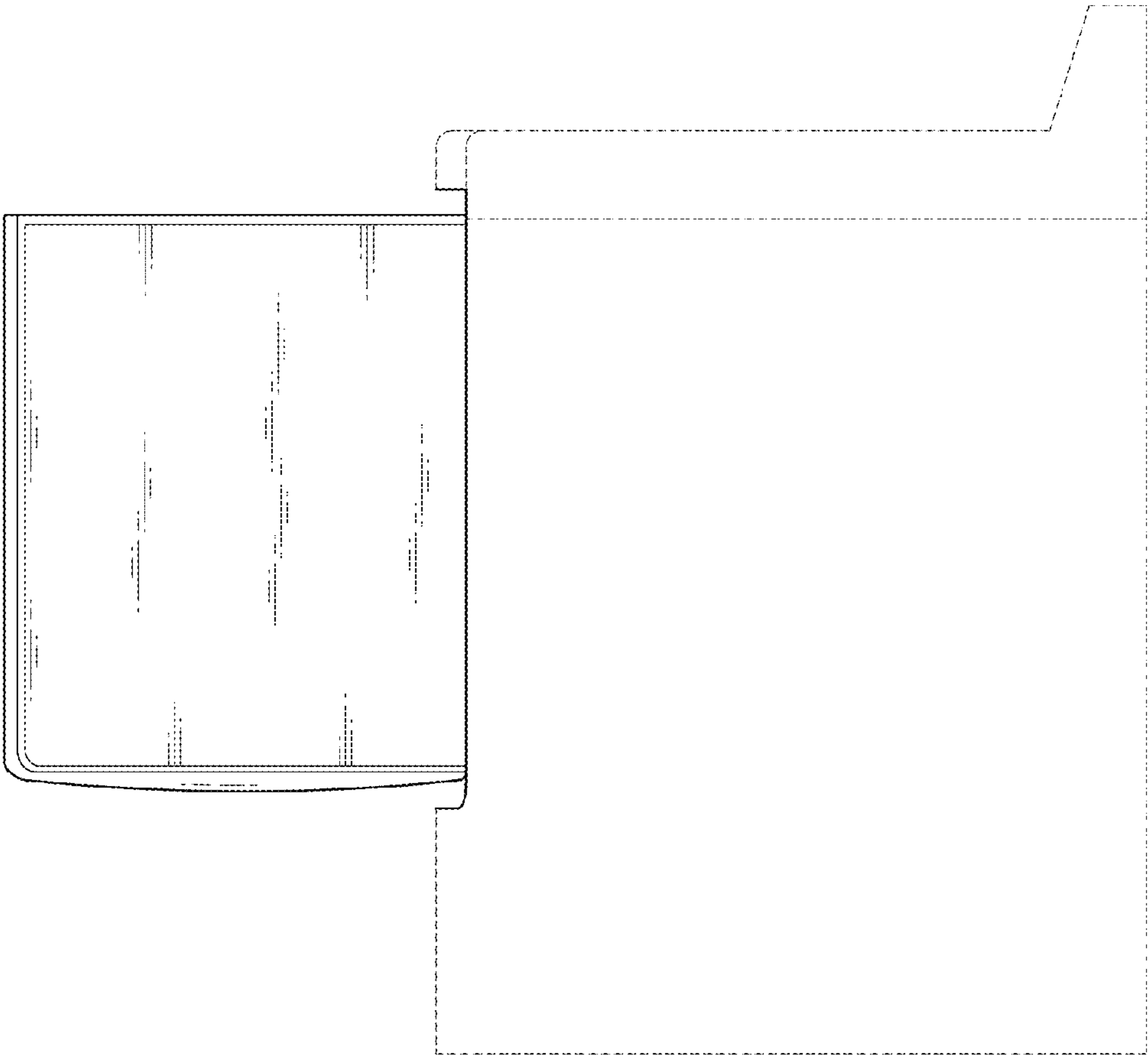


FIG. 6

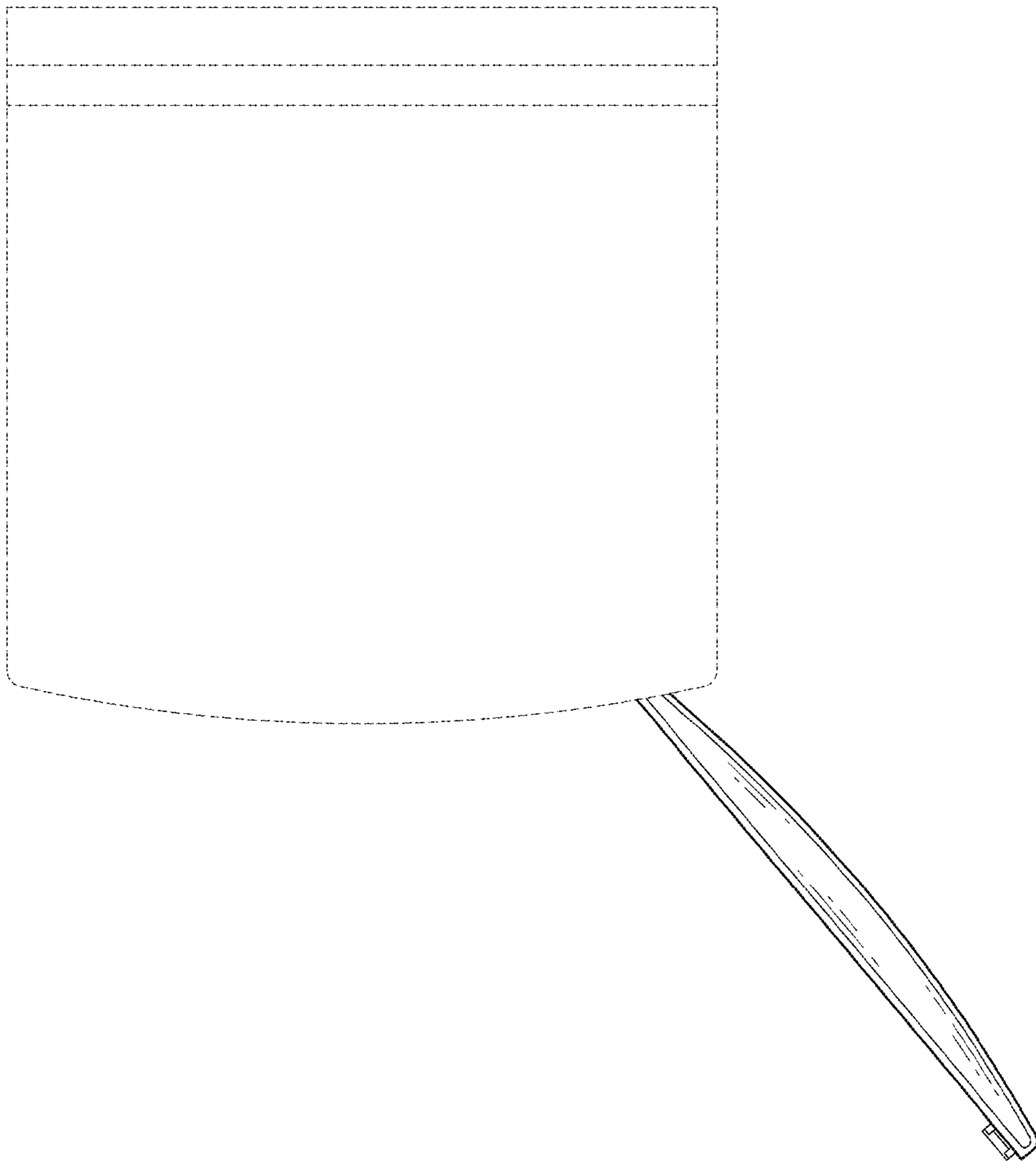


FIG. 7

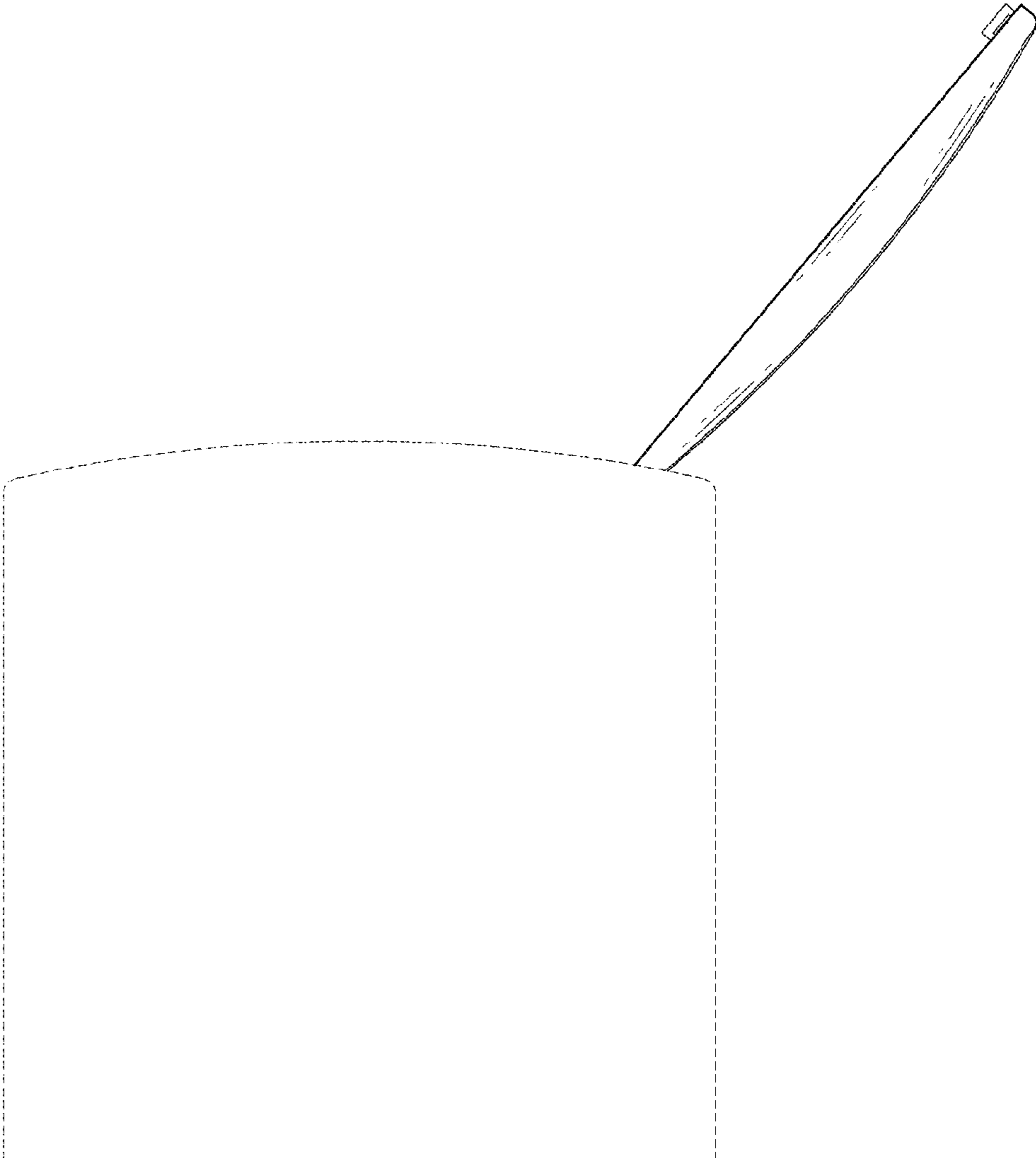




FIG. 8

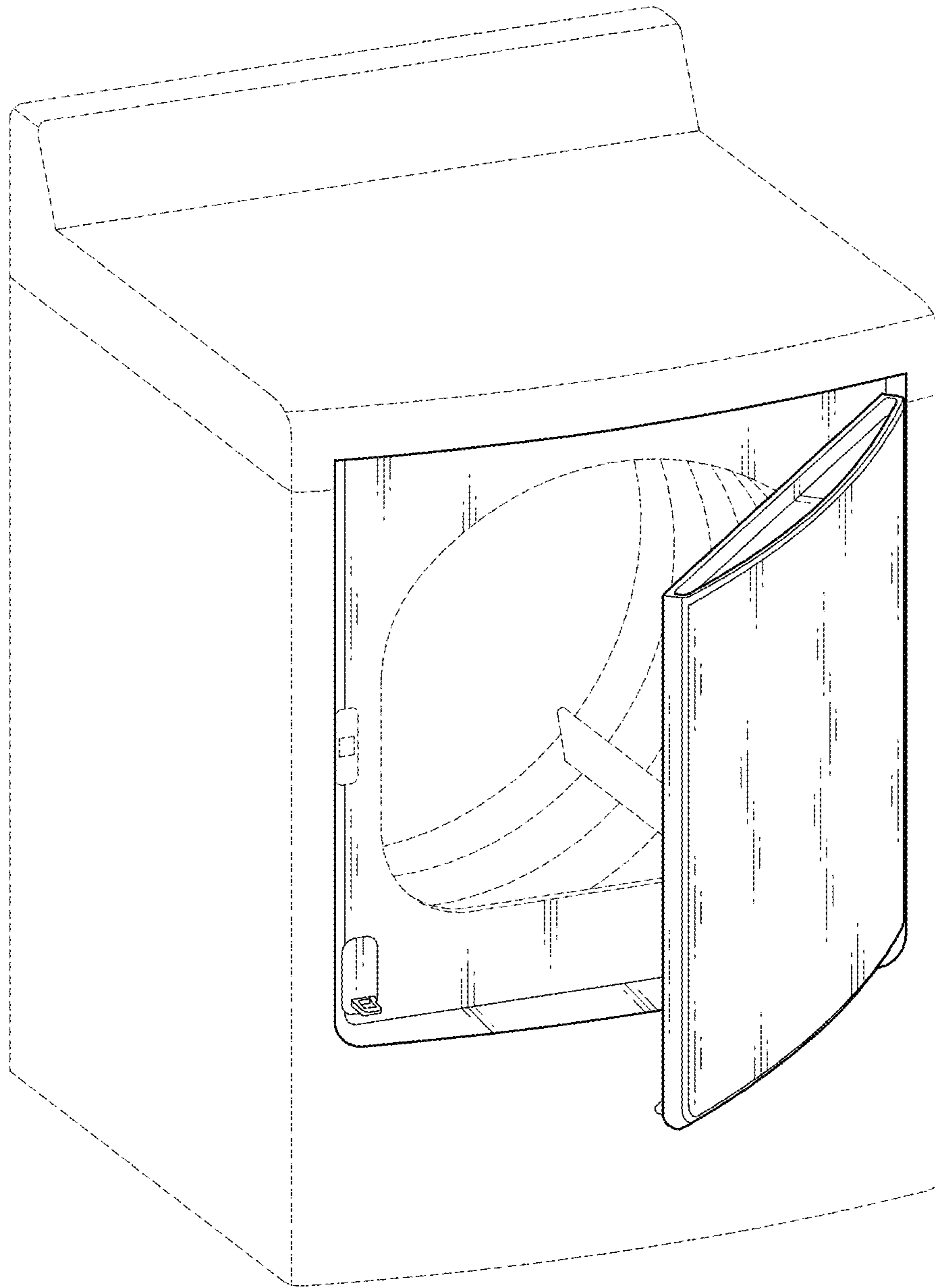


FIG. 9

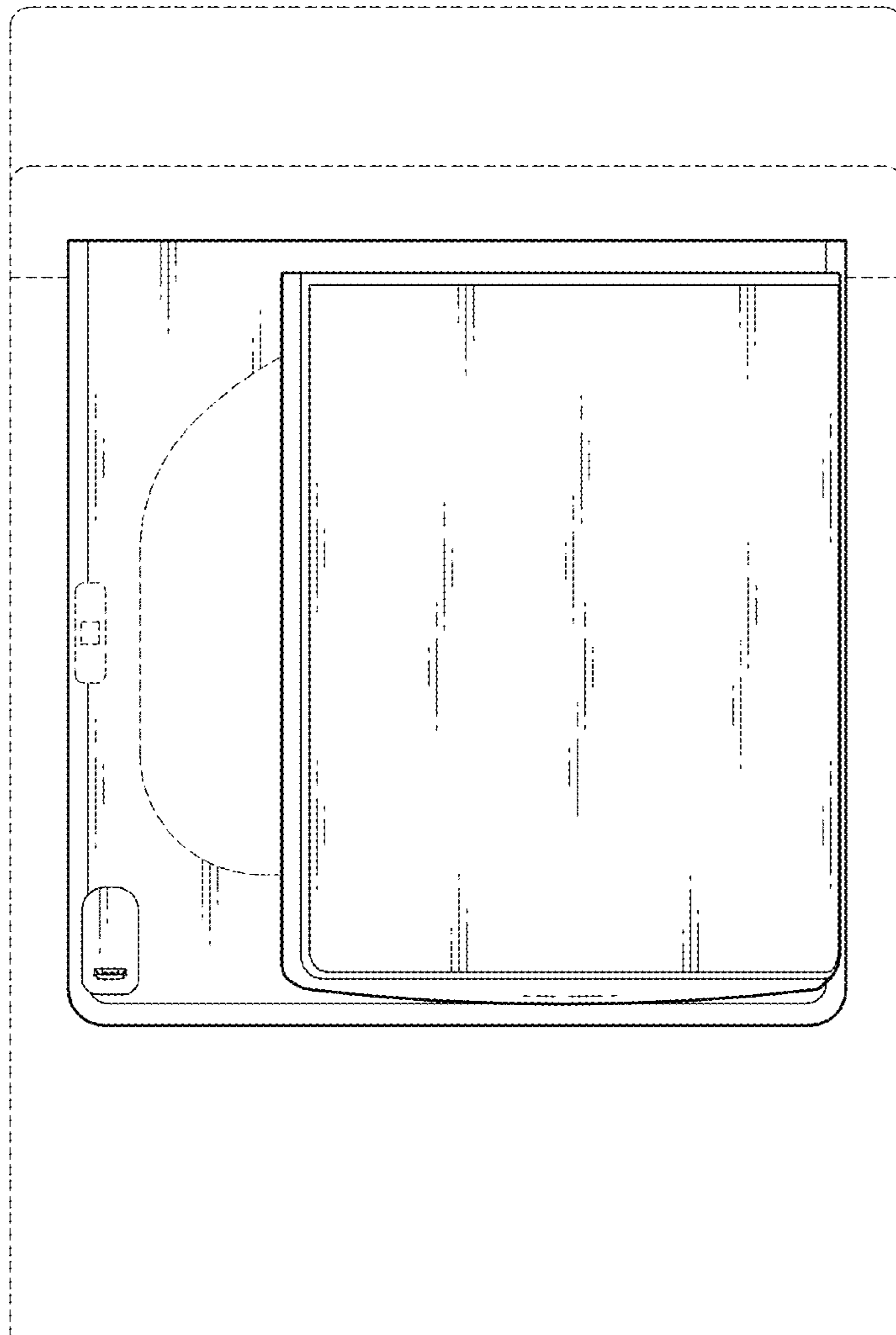


FIG. 10

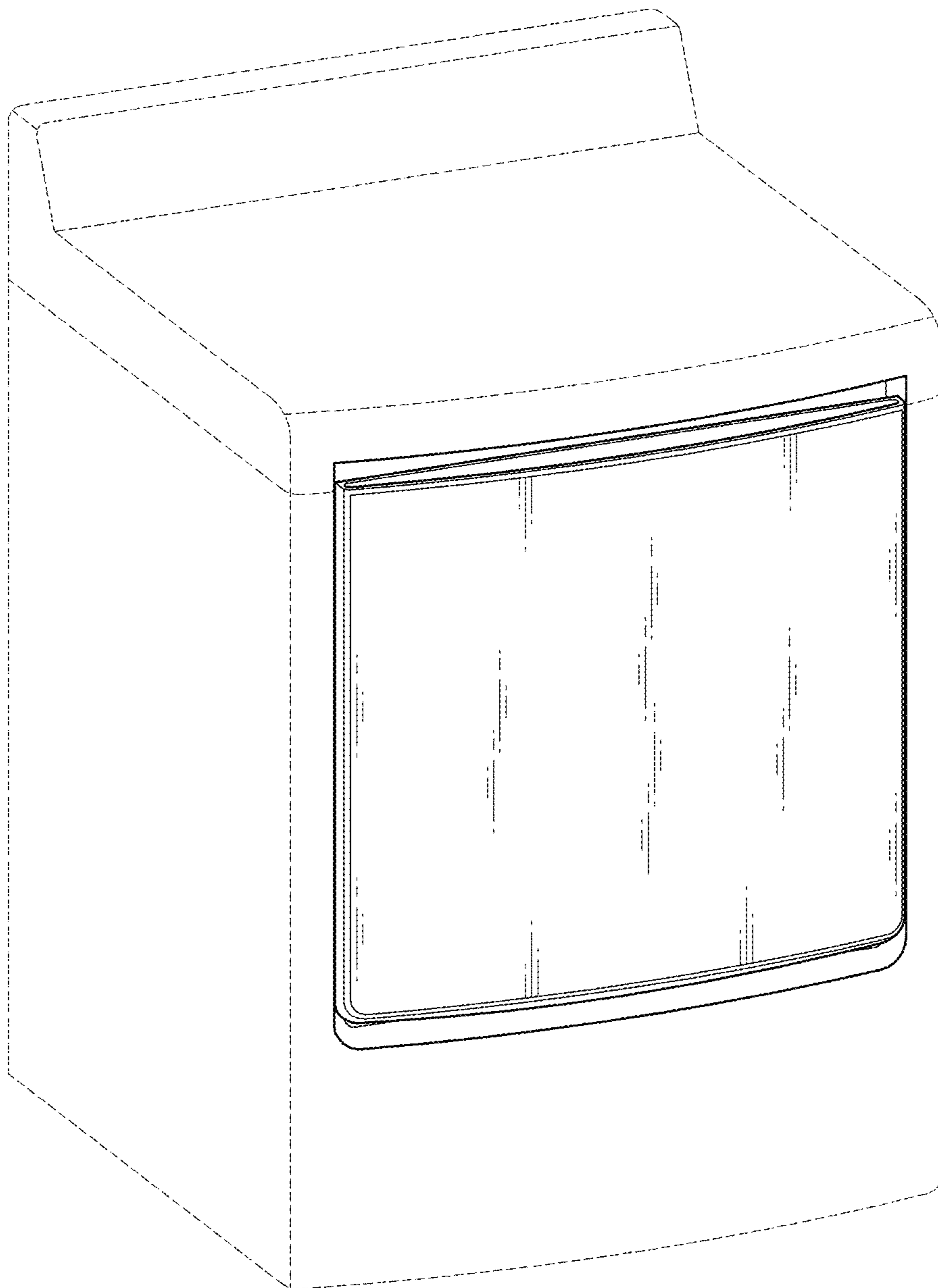


FIG. 11

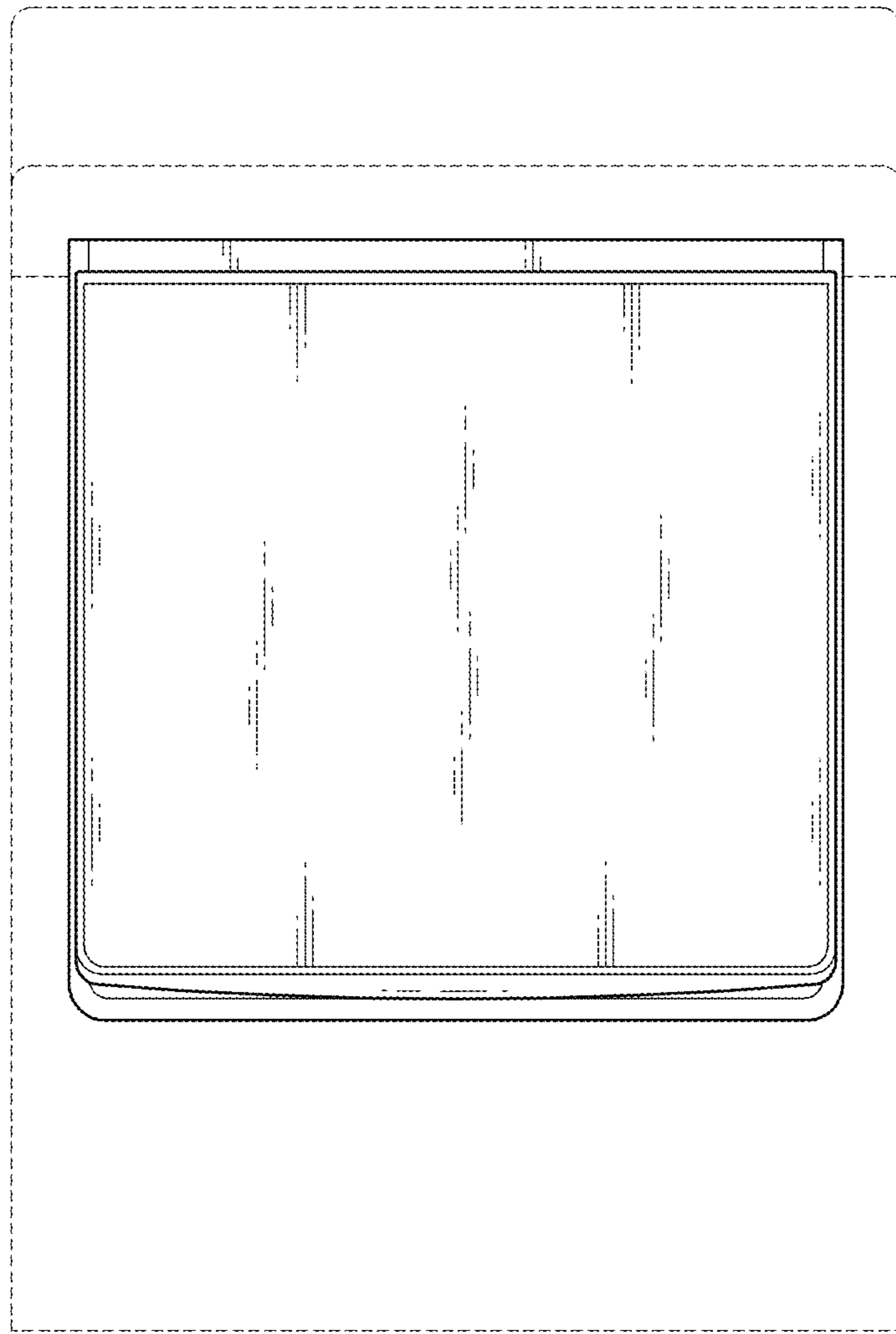


FIG. 12

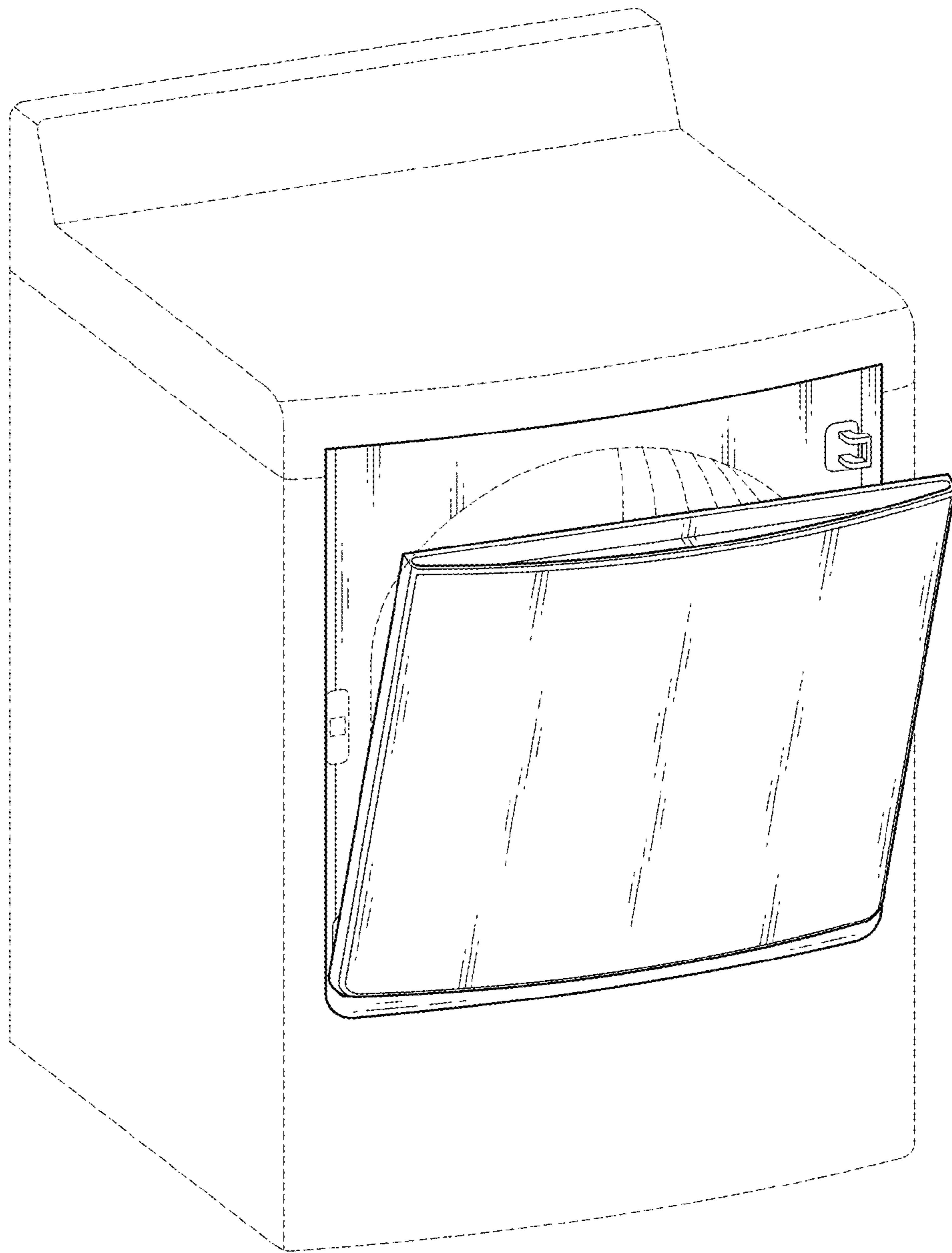


FIG. 13

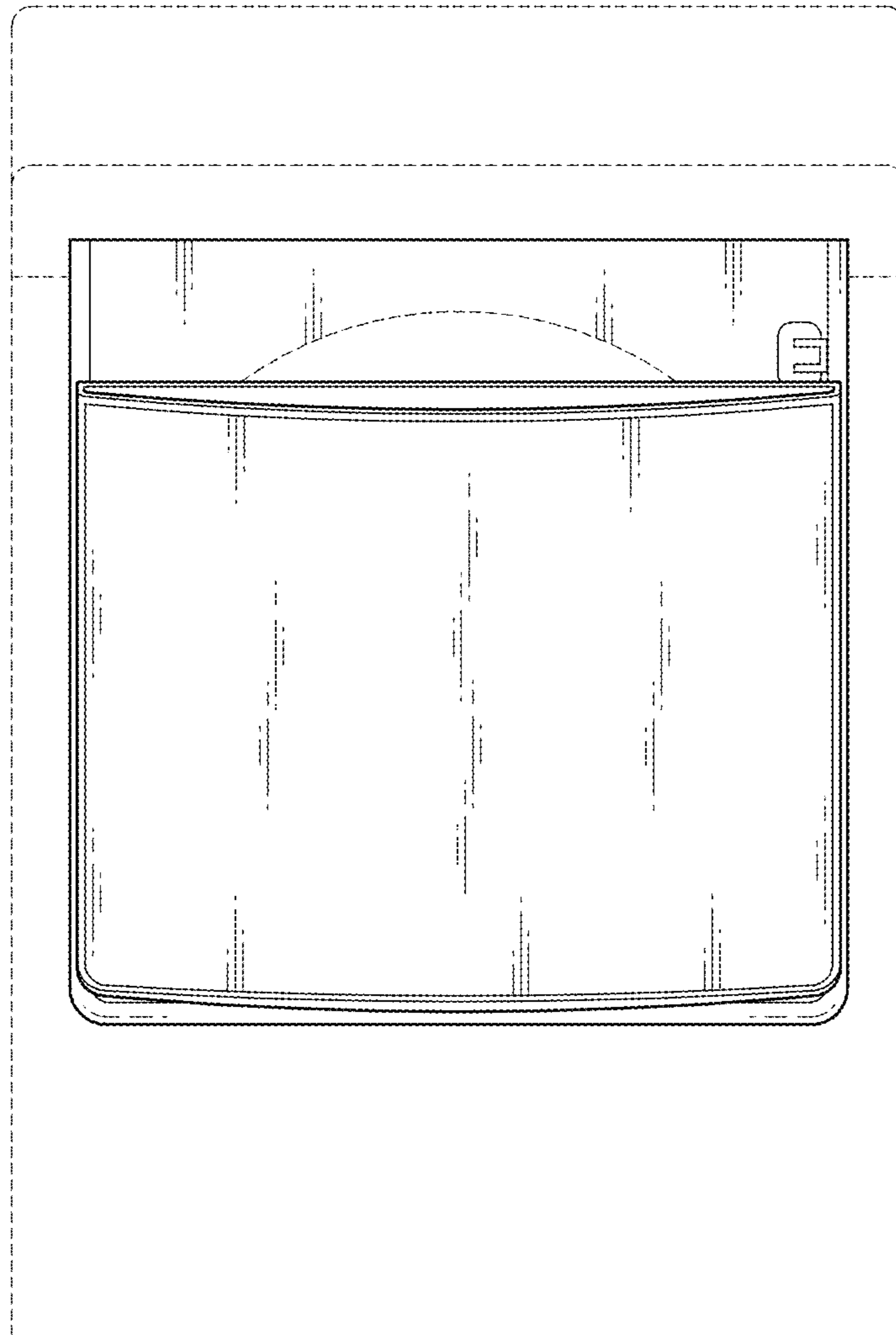


FIG. 14

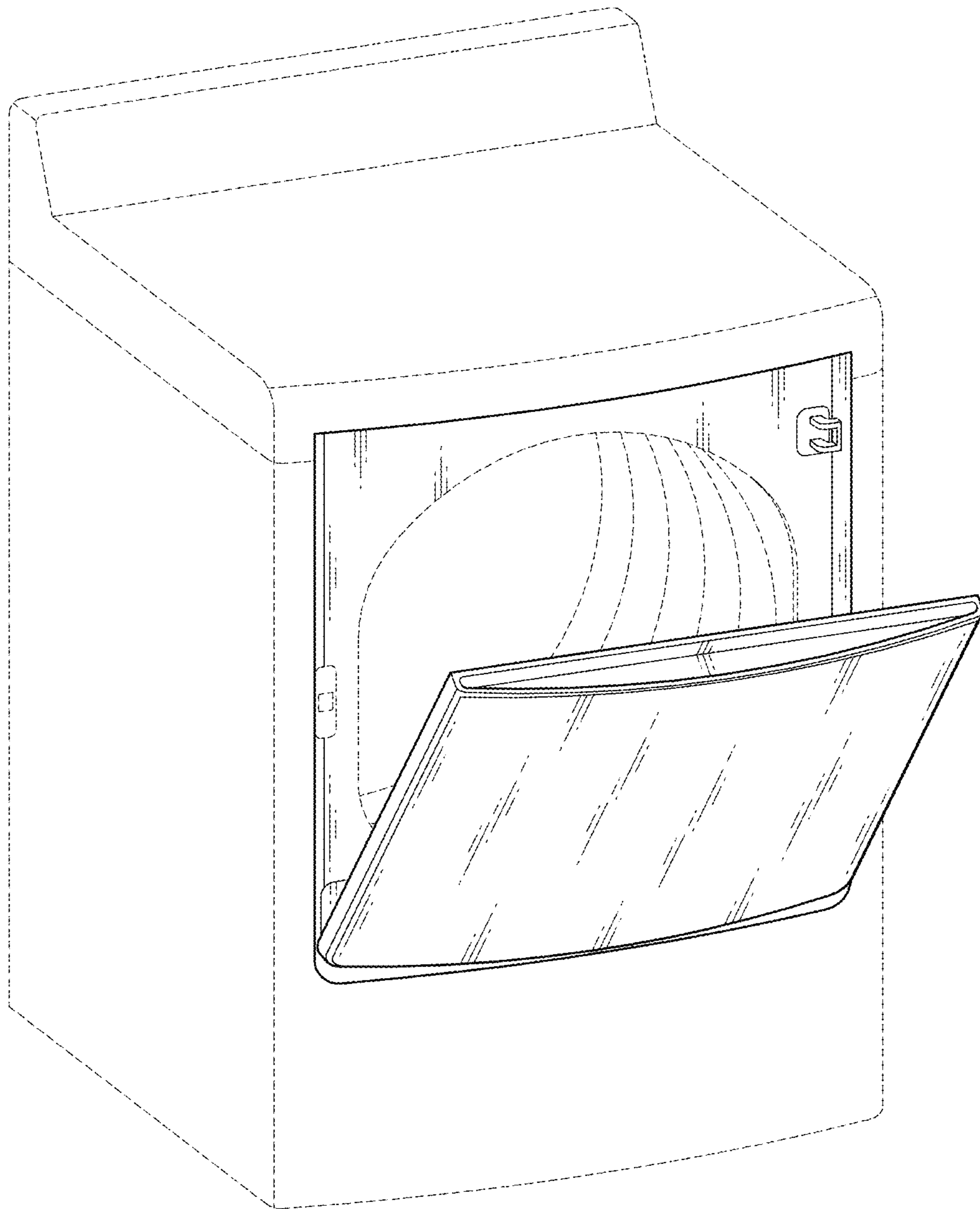


FIG. 15

