



US00D759323S

(12) **United States Design Patent**
Finkeldei

(10) **Patent No.:** **US D759,323 S**
(45) **Date of Patent:** **** Jun. 14, 2016**

(54) **LITTER BOX WITH AN INTEGRATED SIFTER**

(71) Applicant: **David Finkeldei**, Conroe, TX (US)

(72) Inventor: **David Finkeldei**, Conroe, TX (US)

(**) Term: **15 Years**

(21) Appl. No.: **29/540,860**

(22) Filed: **Sep. 29, 2015**

(51) **LOC (10) Cl.** **30-99**

(52) **U.S. Cl.**
USPC **D30/161**

(58) **Field of Classification Search**
USPC D30/161; D3/304, 314; D7/667; D8/1
CPC A01K 1/01; A01K 1/015; A01K 1/0107;
A01K 1/0114; A01K 1/0121
See application file for complete search history.

(56) **References Cited**

U.S. PATENT DOCUMENTS

1,114,264	A *	10/1914	Hoyle	A01K 45/002	D30/161
1,238,349	A *	8/1917	Shreve	A01K 31/22	D30/161
3,752,120	A *	8/1973	Palesi	A01K 1/0114	119/166
3,796,188	A *	3/1974	Bradstreet	A01K 1/0114	119/166
3,908,597	A *	9/1975	Taylor	A01K 1/0114	119/166
3,937,182	A *	2/1976	Kamimura	A01K 1/0114	119/161
D275,047	S *	8/1984	Andersson	D3/314	
4,469,046	A *	9/1984	Yananton	A01K 1/0107	119/169
4,505,226	A *	3/1985	Carlson	A01K 1/0114	119/166
5,293,837	A *	3/1994	Caldwell	A01K 1/0114	119/166
D363,369	S *	10/1995	Hoth	D30/161	
D364,944	S *	12/1995	Blaine	D30/161	
5,598,810	A *	2/1997	Lawton, III	A01K 1/0114	119/166

5,598,811	A *	2/1997	Merchant	A01K 1/0114	119/166
5,701,844	A	12/1997	Murphy			
D398,088	S *	9/1998	Angier	D30/161	
D408,599	S *	4/1999	Vice	D30/161	
5,893,336	A	4/1999	Vice et al.			
D417,549	S *	12/1999	Cassani	D3/304	
D421,161	S *	2/2000	Rogers	D30/161	
D430,399	S *	9/2000	Pawuk	D3/304	
6,510,814	B1 *	1/2003	Vargas	A01K 1/0107	119/165
D479,635	S *	9/2003	Taylor	D30/161	
D498,025	S *	11/2004	Tessier	D30/161	
7,114,459	B2 *	10/2006	Schmidt	A01K 1/0114	119/161
7,213,535	B2	5/2007	Schmidt et al.			
D617,959	S *	6/2010	Twu	D30/161	
8,074,603	B2	12/2011	Ohlman et al.			
D652,587	S *	1/2012	Matsuo	D30/161	
8,230,810	B2	7/2012	Mynatt et al.			
D690,059	S *	9/2013	Robbins	D30/161	
8,578,887	B2	11/2013	Andrade et al.			
8,851,014	B2	10/2014	Hecht			
D728,173	S *	4/2015	Matsuo	D30/161	
D731,716	S *	6/2015	Kuiper	D30/161	
D739,617	S *	9/2015	Slone	D30/161	
2009/0194033	A1	8/2009	Modlin			

* cited by examiner

Primary Examiner — Cathy A MacCormac

(74) *Attorney, Agent, or Firm* — Robert C. Montgomery; Montgomery Patent & Design

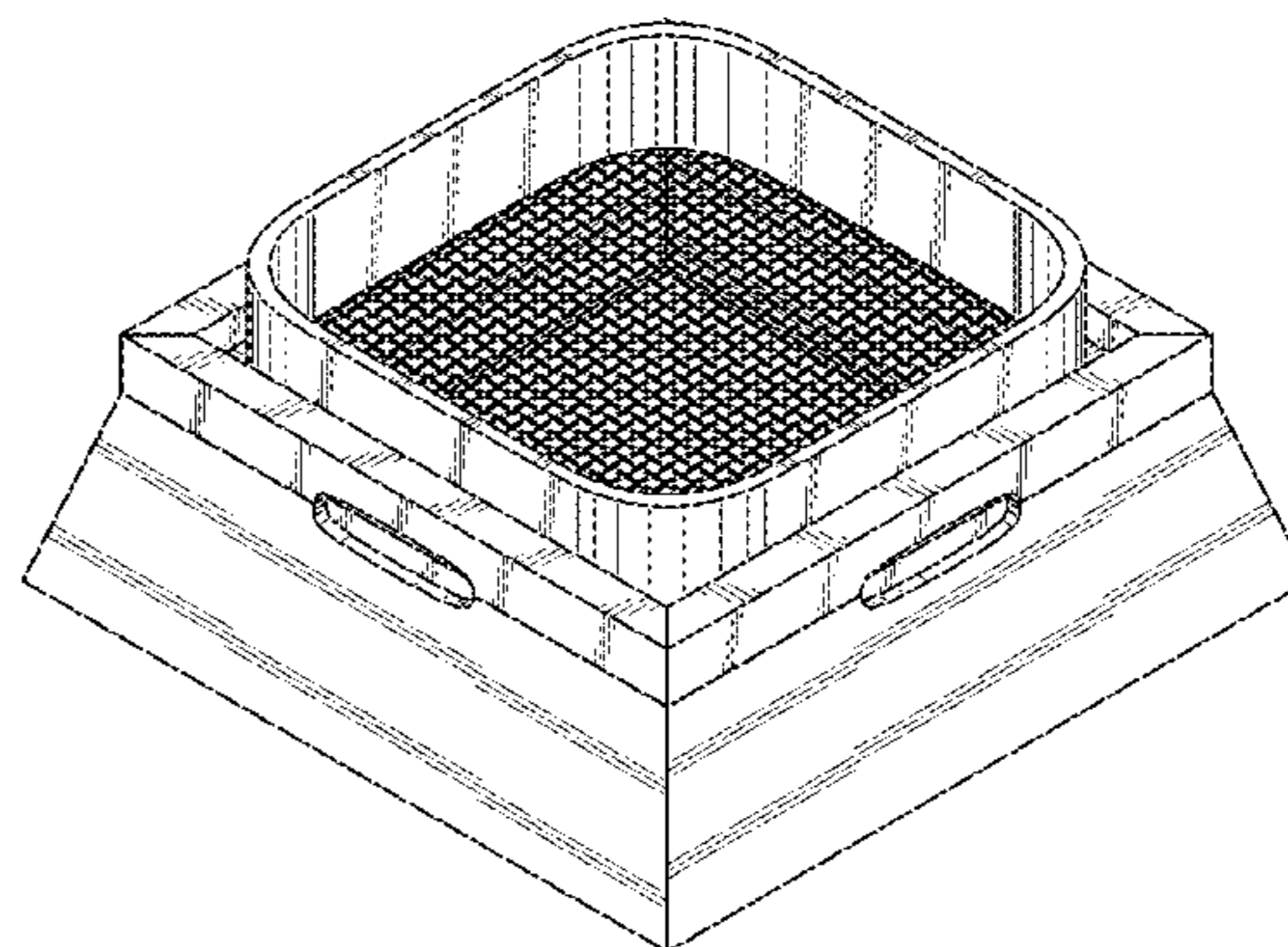
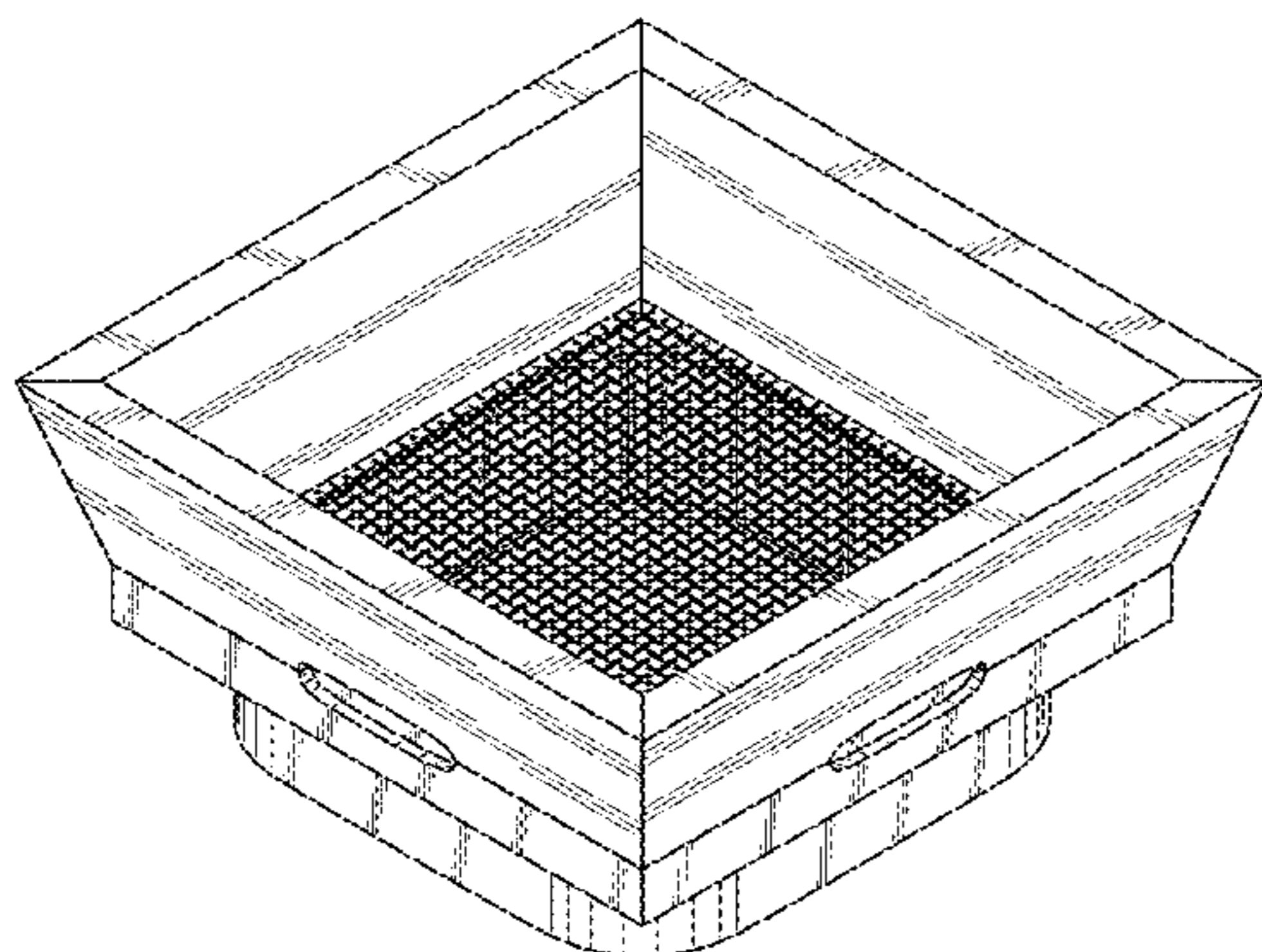
(57) **CLAIM**

The ornamental design for a litter box with an integrated sifter, as shown and described.

DESCRIPTION

FIG. 1 is a perspective top view of the litter box with an integrated sifter, showing my new design; FIG. 2 is a perspective bottom view thereof; FIG. 3 is a front elevation view thereof, wherein the rear view, left side view, and right side view are identical images thereof; FIG. 4 is an enlarged top plan view; and, FIG. 5 is an enlarged bottom plan view thereof.

1 Claim, 5 Drawing Sheets



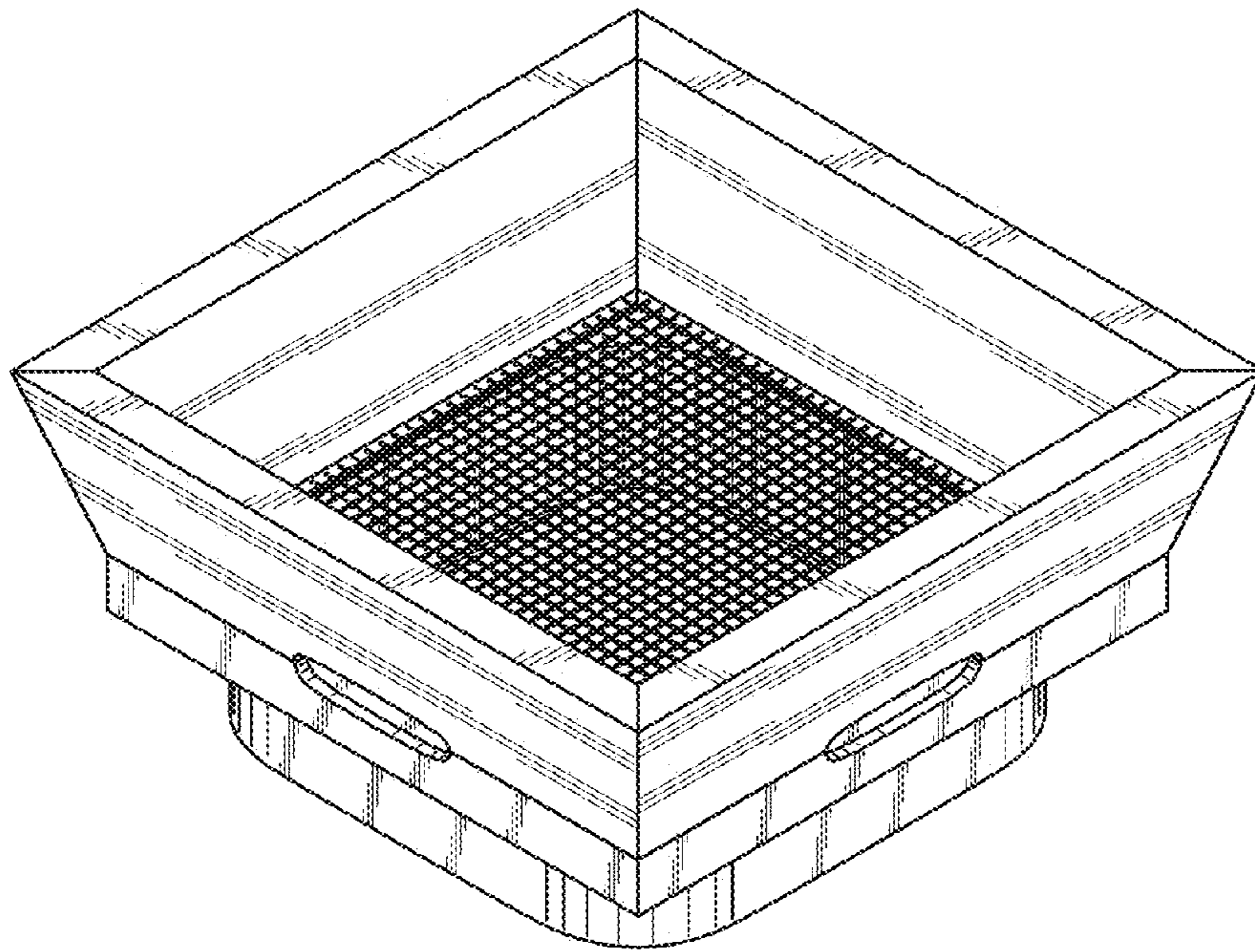


FIG. 1

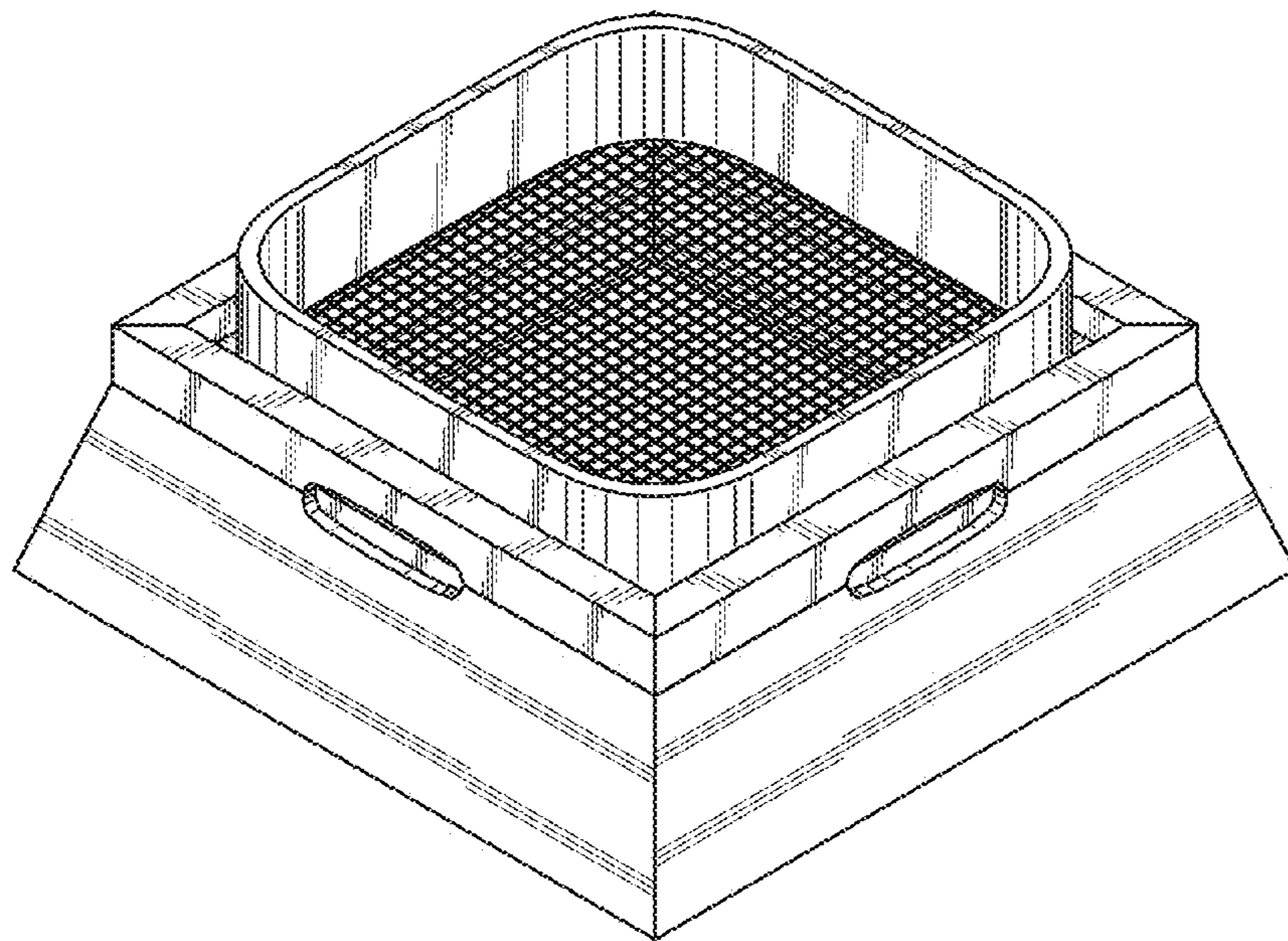


FIG. 2

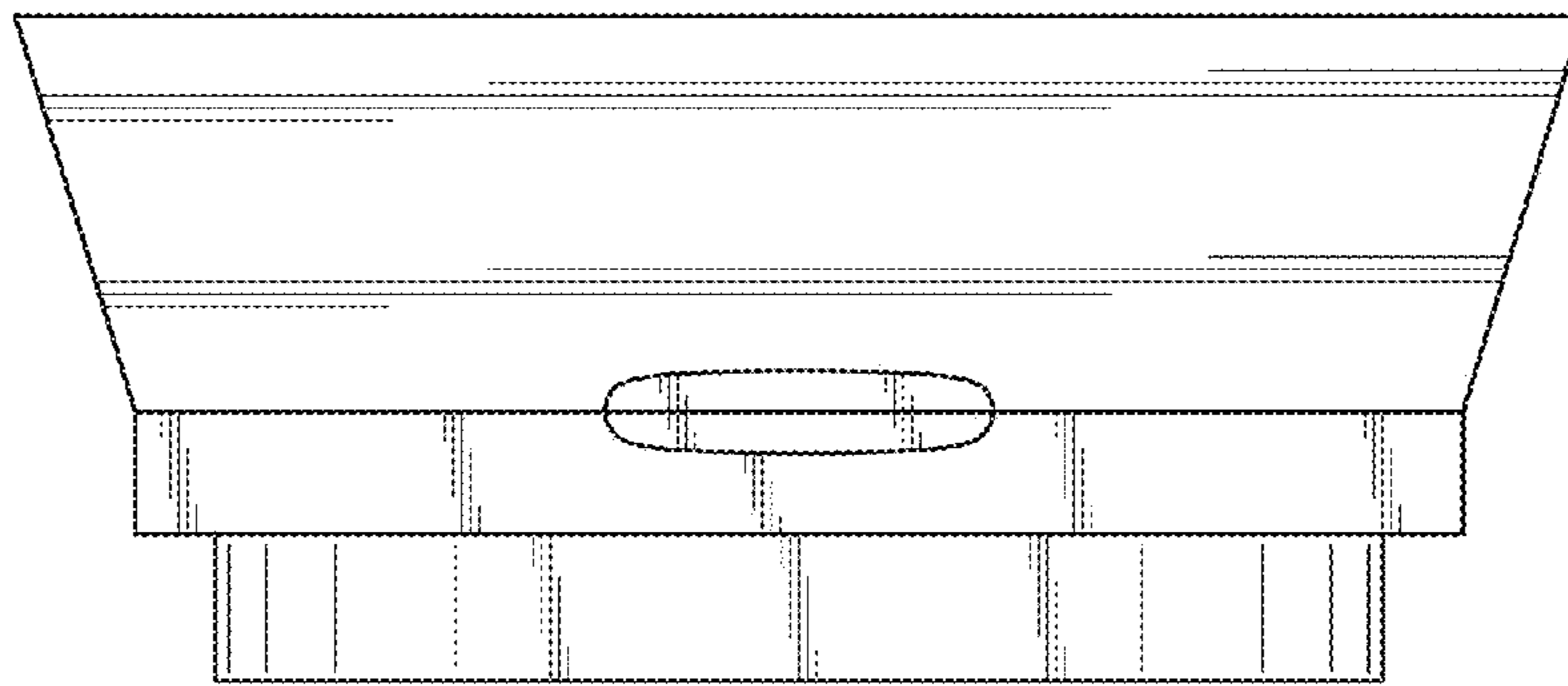


FIG. 3

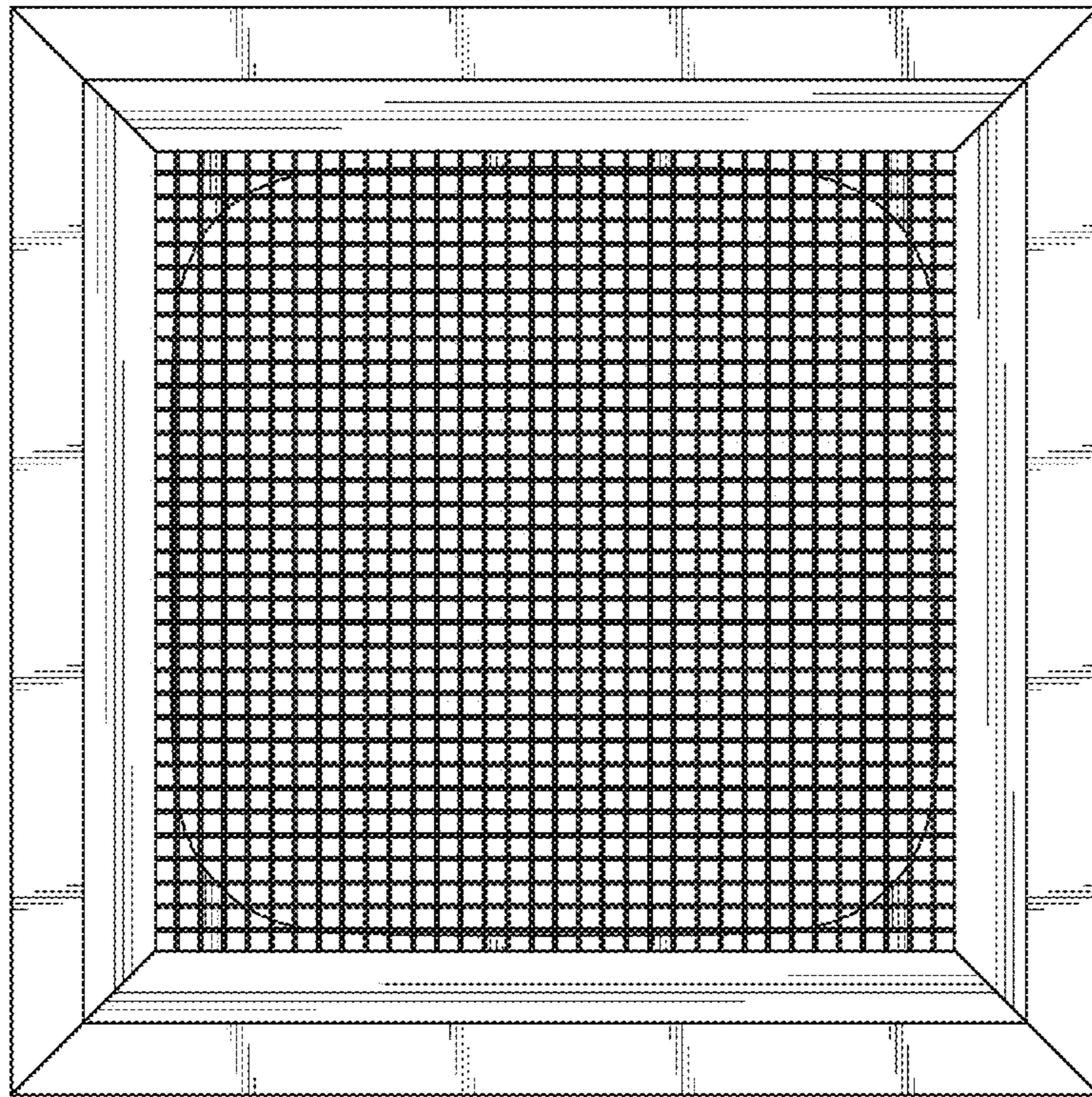


FIG. 4

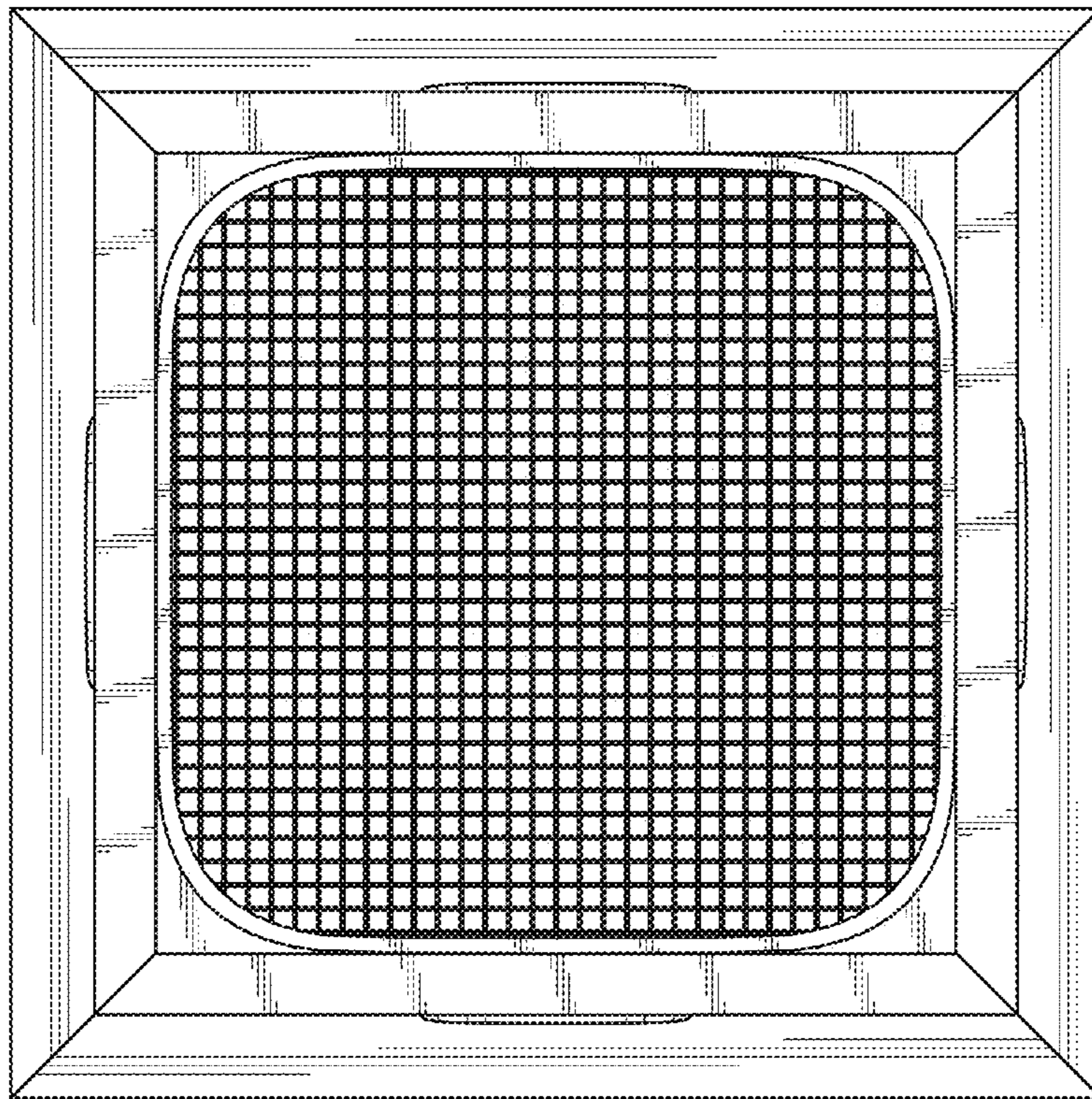


FIG. 5