



US00D759315S

(12) **United States Design Patent**
Mather

(10) **Patent No.:** **US D759,315 S**
(45) **Date of Patent:** **** Jun. 14, 2016**

- (54) **LIPSTICK CASE**
- (71) Applicant: **Sillage LLC**, Newport Beach, CA (US)
- (72) Inventor: **Nicole Mather**, Newport Beach, CA (US)
- (73) Assignee: **Sillage, LLC**, Newport Beach, CA (US)
- (**) Term: **14 Years**
- (21) Appl. No.: **29/520,462**
- (22) Filed: **Mar. 13, 2015**
- (51) **LOC (10) Cl.** **28-03**
- (52) **U.S. Cl.**
USPC **D28/87; D9/635**
- (58) **Field of Classification Search**
USPC D28/85-90, 79; D9/621, 635
CPC A45D 2040/0025-2040/0062; A45D 2040/0012; A45D 40/02-40/065; A45D 40/10-40/12; A45D 40/14; A45D 40/18; A45D 2200/00-2200/053
See application file for complete search history.

D185,320 S *	5/1959	Wolf	D28/89
D185,321 S *	5/1959	Wolf	D28/89
D185,336 S *	5/1959	Wolf	D28/89
D185,337 S *	5/1959	Wolf	D28/89
D419,266 S *	1/2000	Gobe	D28/89
D727,164 S *	4/2015	Staab	D9/635

OTHER PUBLICATIONS

Anna Sui bow shaped cosmetic compact, Dec. 2013, www.makeupmuseum.org.*

* cited by examiner

Primary Examiner — Jennifer Rivard

(74) *Attorney, Agent, or Firm* — Perkins Coie LLP

(57) **CLAIM**

The ornamental design for the lipstick case, as shown and described.

DESCRIPTION

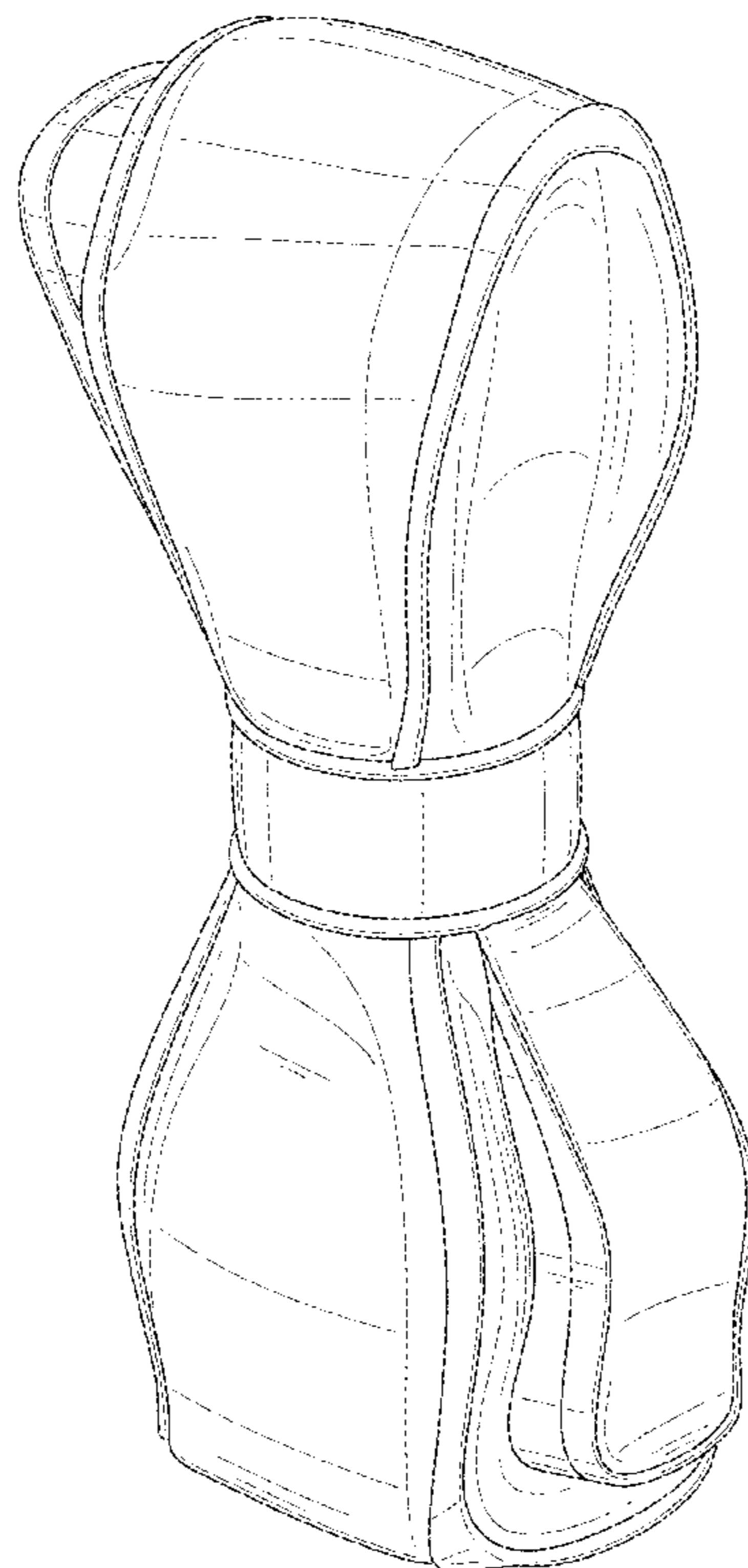
FIG. 1 is a top isometric view of an embodiment of a lipstick case showing my new design
FIG. 2 is a front elevation view thereof.
FIG. 3 is a back elevation view thereof.
FIG. 4 is a left side elevation view thereof.
FIG. 5 is a right side elevation view thereof.
FIG. 6 is a top plan view thereof; and,
FIG. 7 is a bottom plan view thereof.

1 Claim, 7 Drawing Sheets

(56) **References Cited**

U.S. PATENT DOCUMENTS

D110,302 S *	6/1938	Guerlain	D9/635
D124,653 S *	1/1941	KAné	D28/79
D185,319 S *	5/1959	Wolf	D28/89



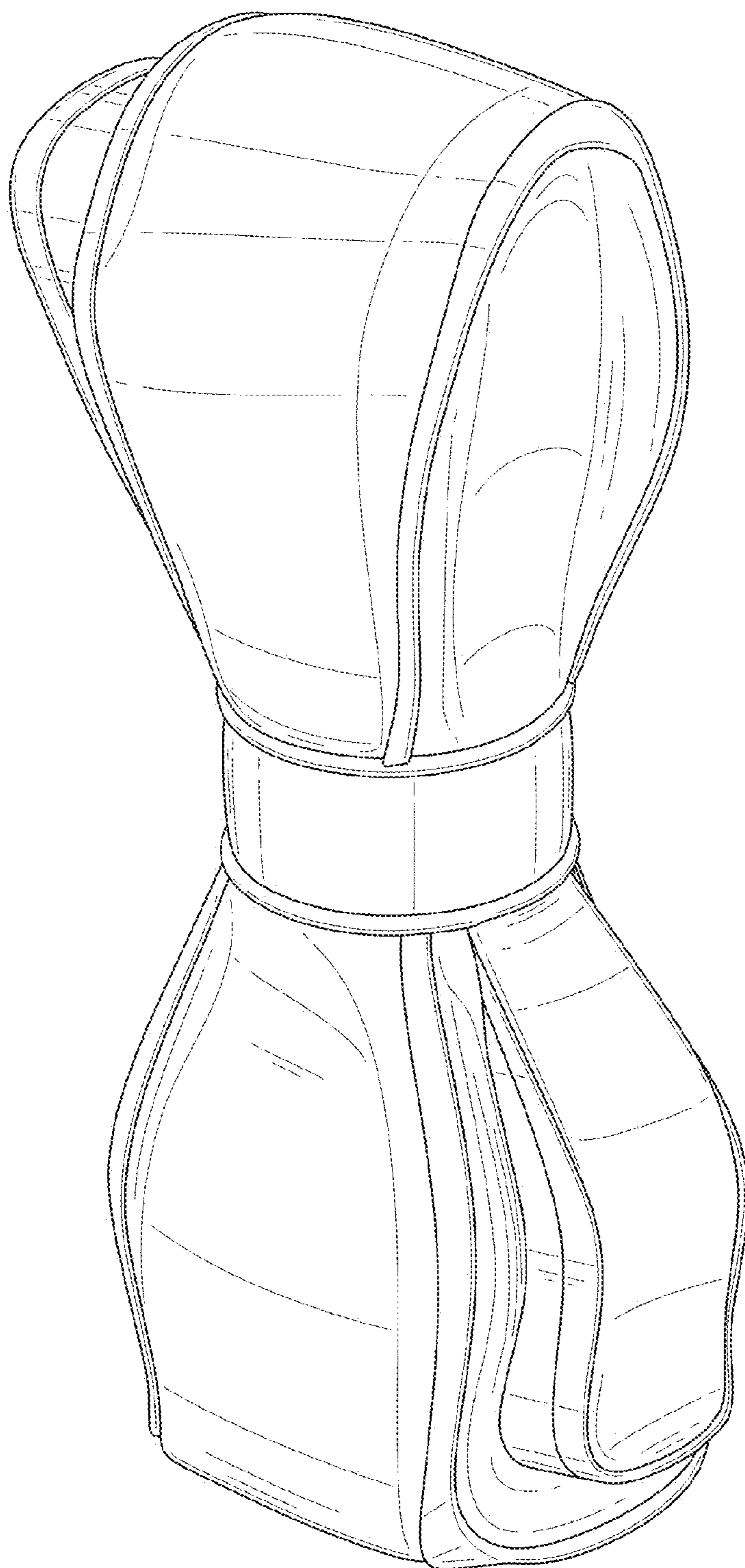


Fig. 1

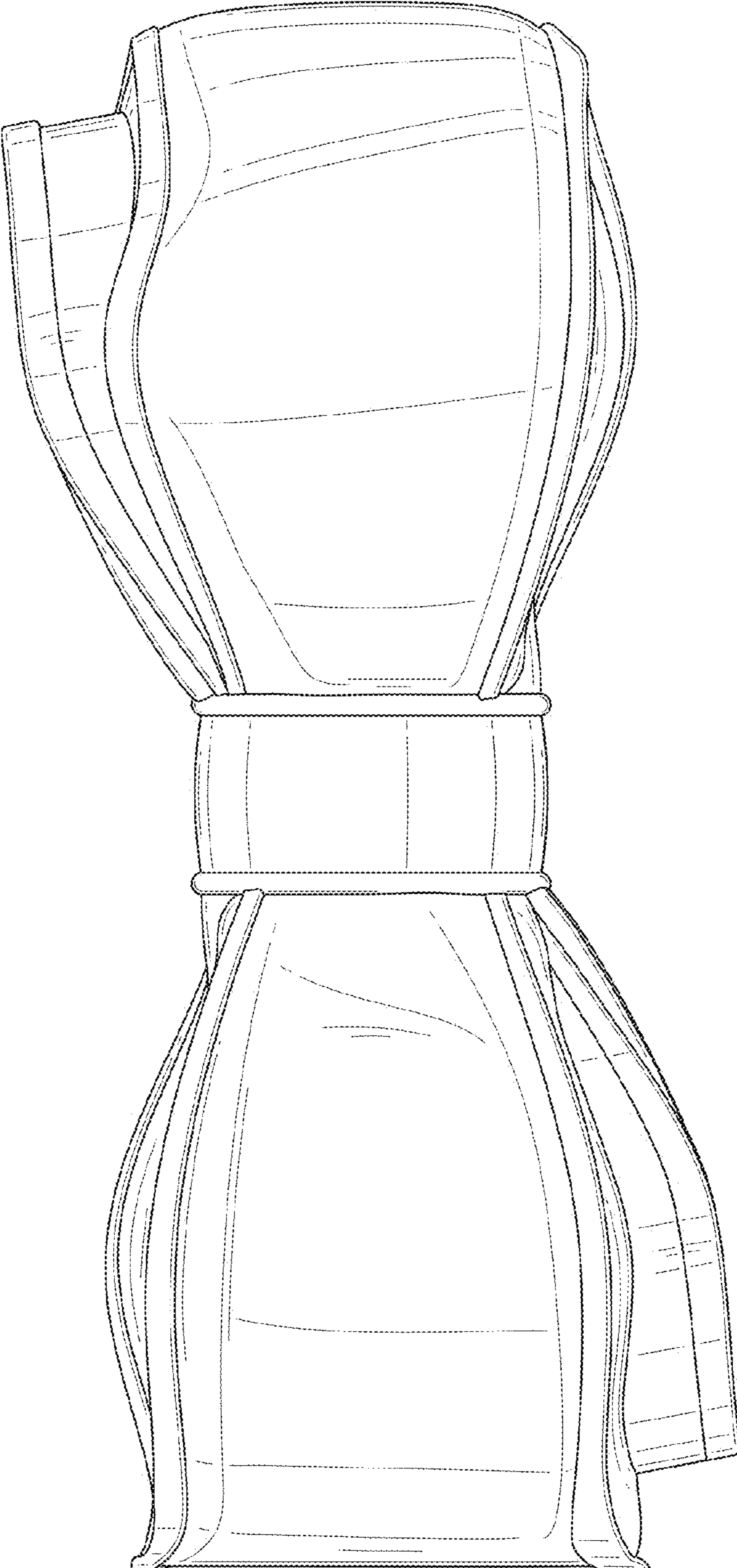


Fig. 2

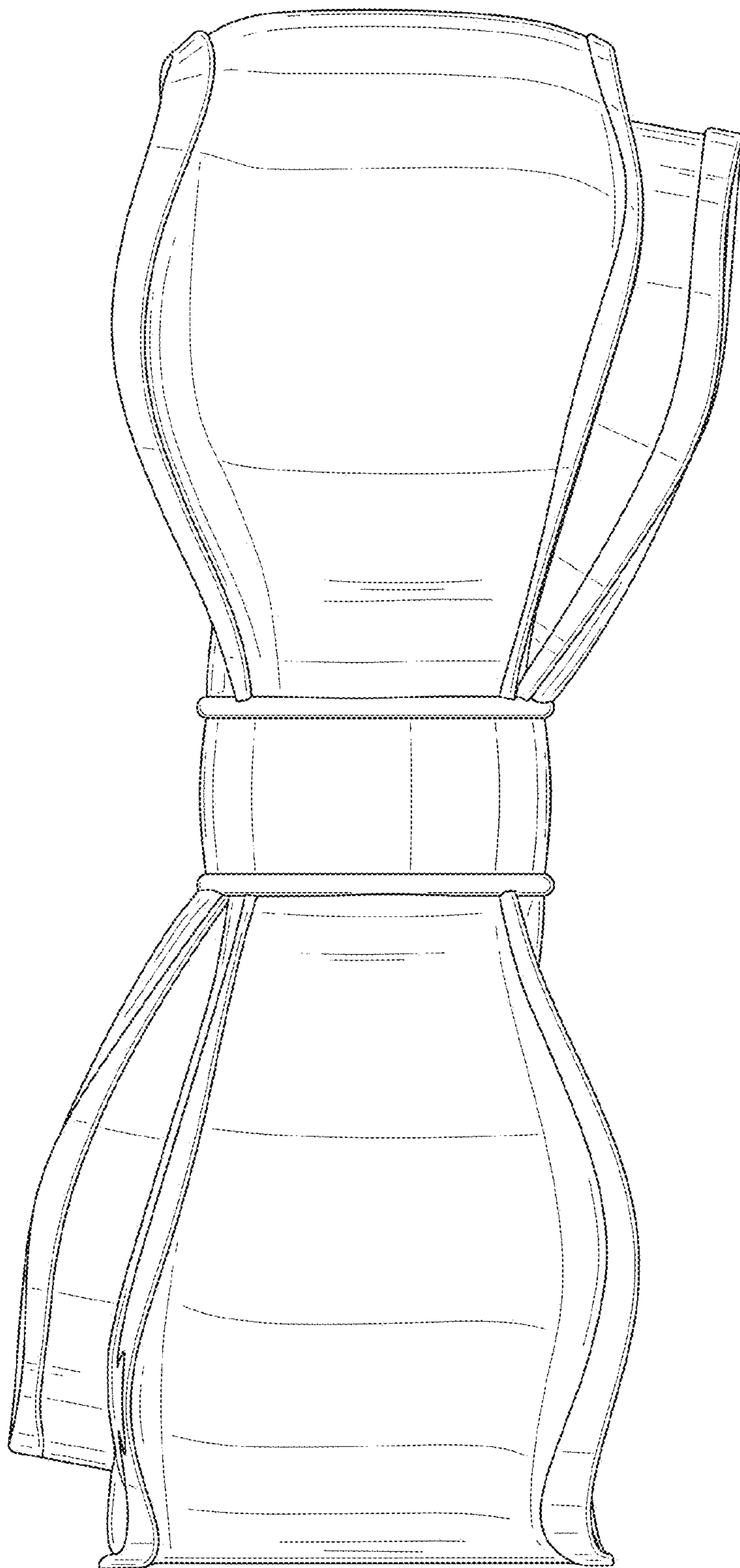


Fig. 3

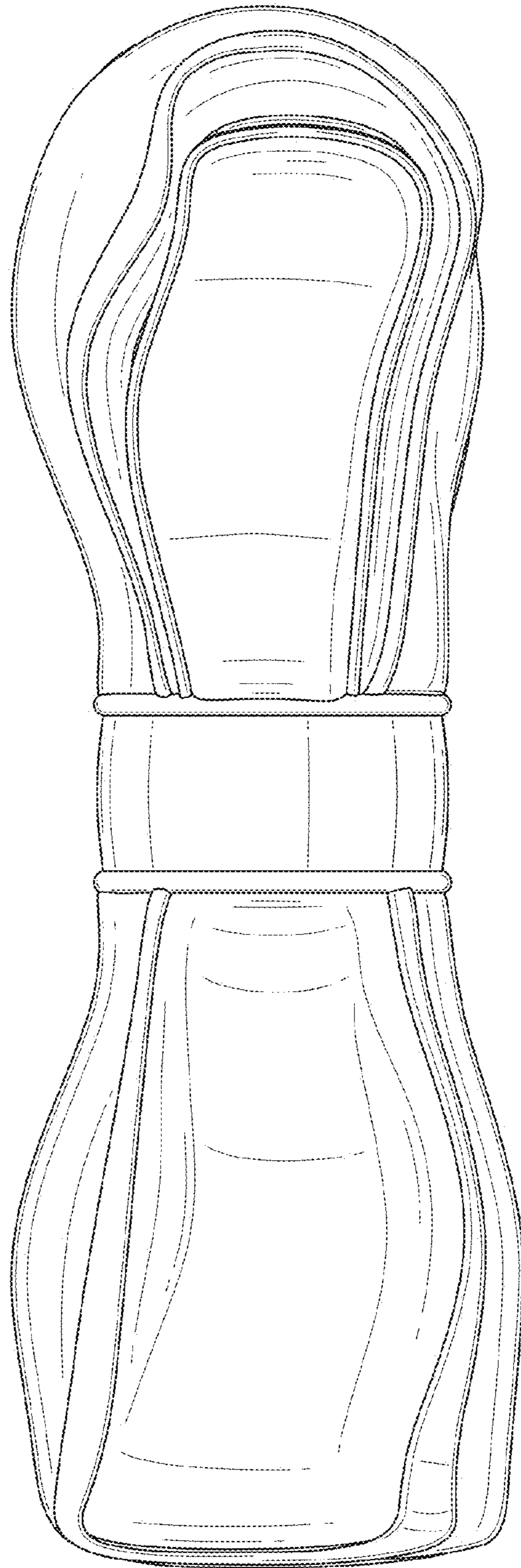


Fig. 4

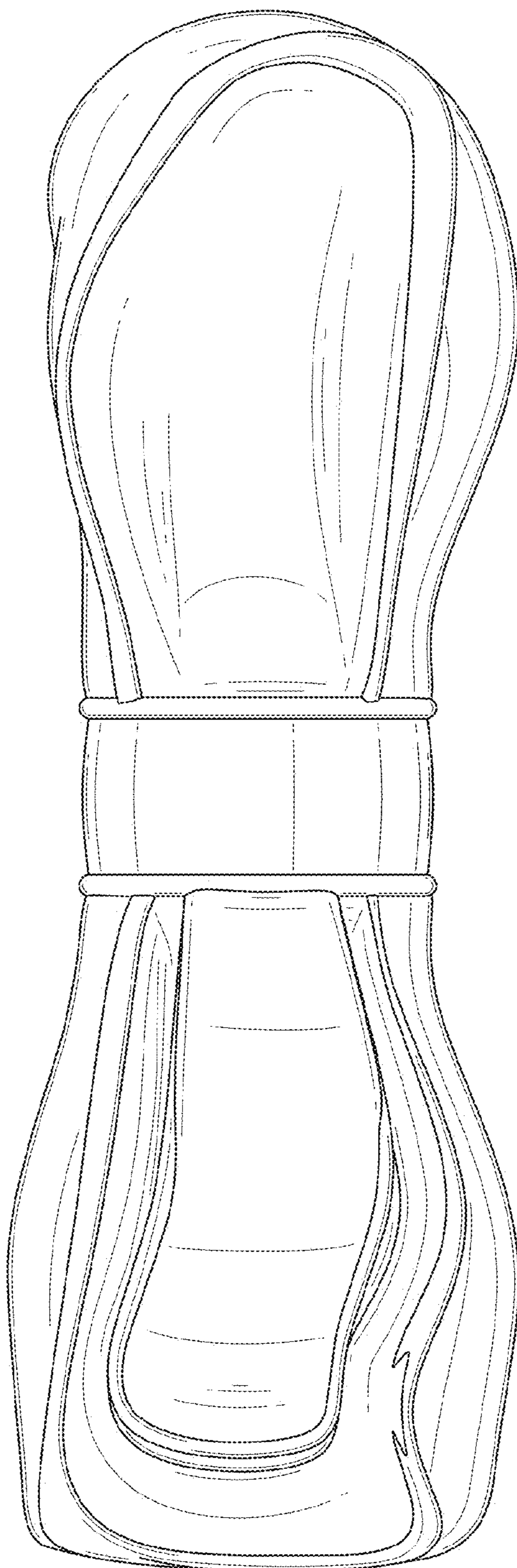


Fig. 5

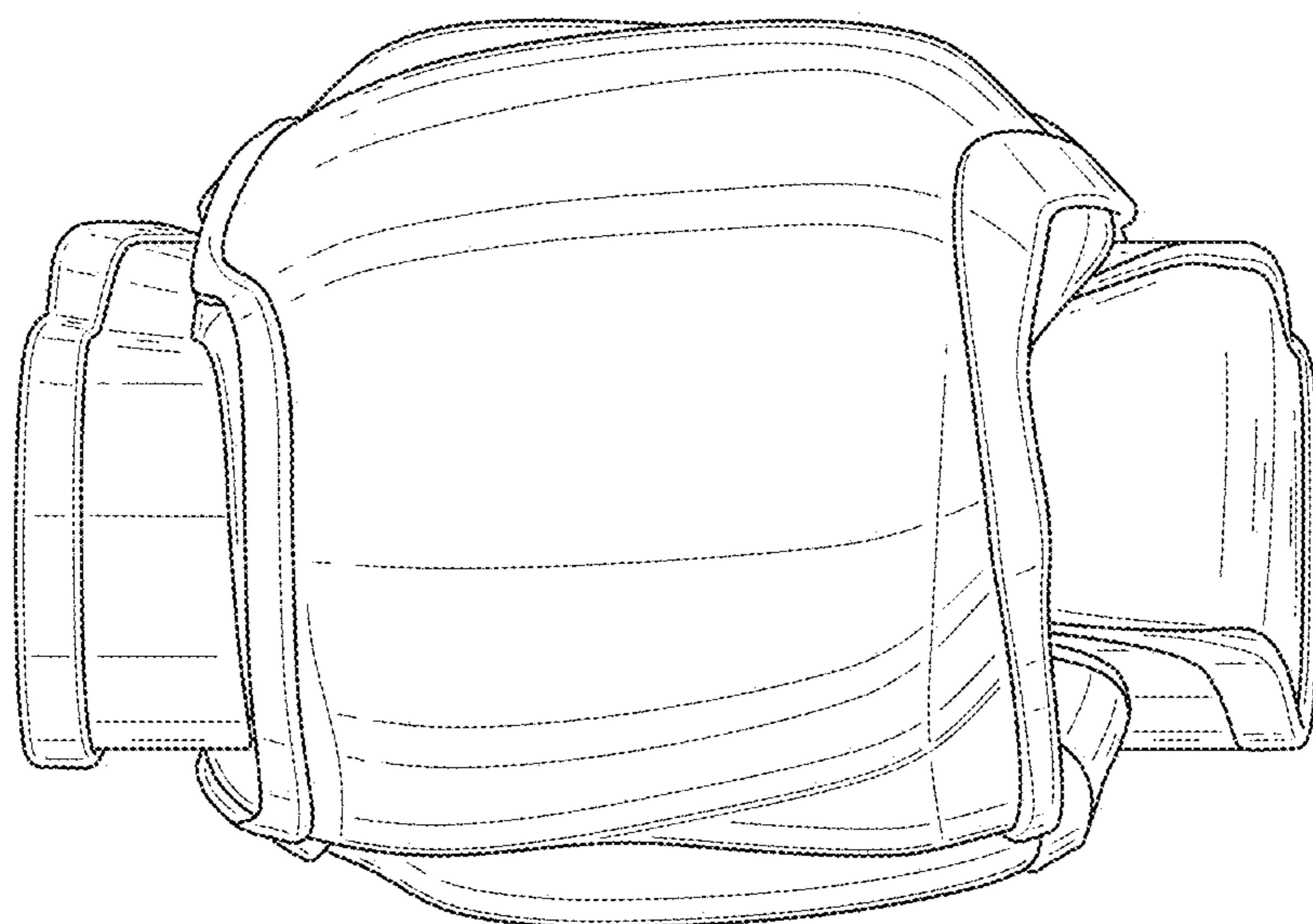


Fig. 6

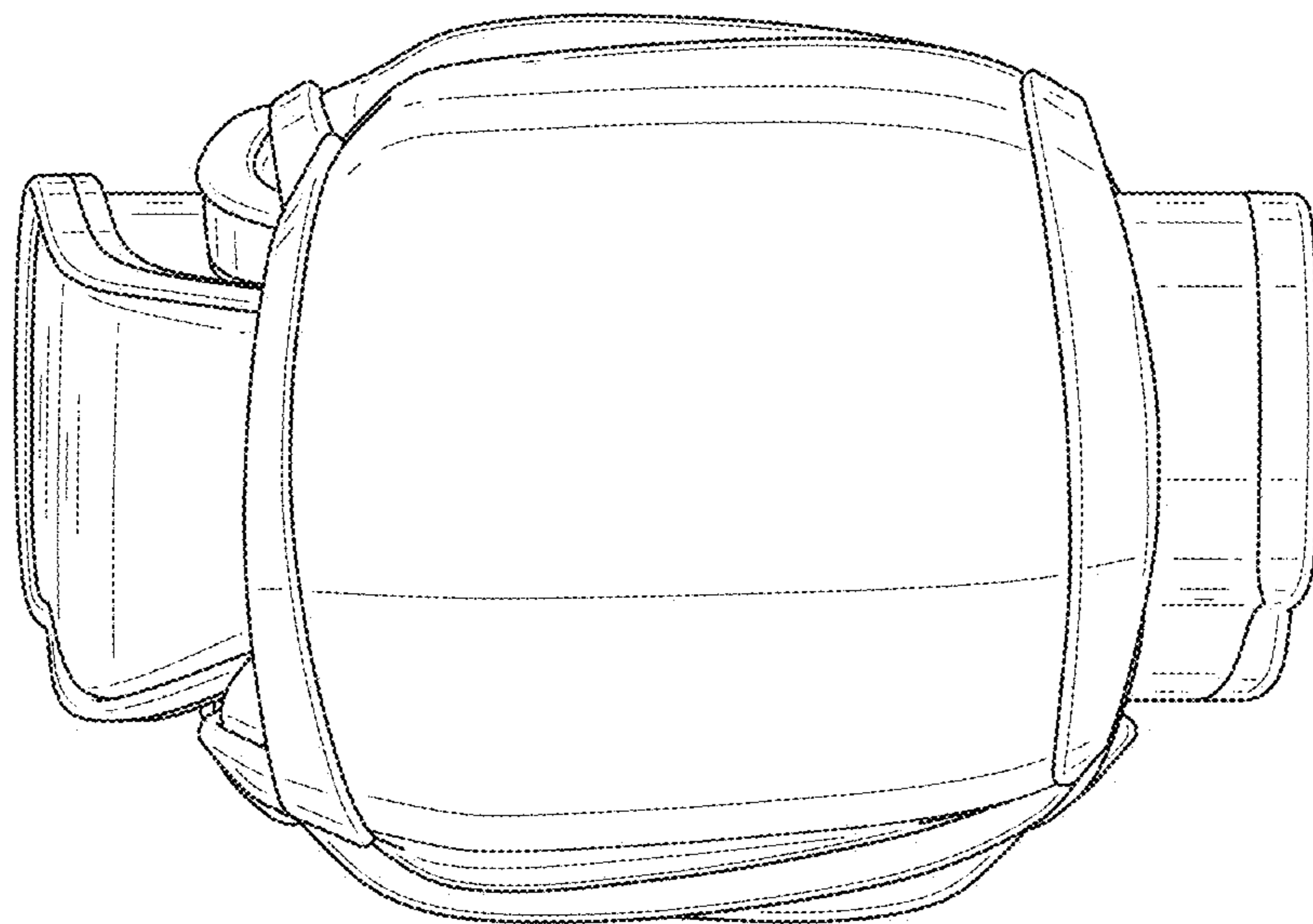


Fig. 7