



US00D759314S

(12) **United States Design Patent**
Goodman et al.

(10) **Patent No.:** **US D759,314 S**
(45) **Date of Patent:** **** Jun. 14, 2016**

(54) **WALL MOUNTED STYLING STATION**

5,727,701 A * 3/1998 Rhoades A45D 1/00
211/70.6
D396,770 S * 8/1998 Hoernig D6/566
7,137,584 B2 * 11/2006 Wong B23K 3/08
211/70.6

(71) Applicant: **Spectrum Diversified Designs, Inc.**,
Streetsboro, OH (US)

(72) Inventors: **Sheldon H. Goodman**, Solon, OH (US);
Phaysouk Xayoiphonh, Akron, OH
(US); **Courtney K. Wilson**, Chardon,
OH (US)

(73) Assignee: **Spectrum Diversified Designs, LLC**,
Streetsboro, OH (US)

(**) Term: **14 Years**

(21) Appl. No.: **29/507,588**

(22) Filed: **Oct. 29, 2014**

(51) **LOC (10) Cl.** **28-03**

(52) **U.S. Cl.**
USPC **D28/73; D28/38**

(58) **Field of Classification Search**
USPC D28/73, 77, 38; D6/567, 566, 528, 531,
D6/527, 524, 525, 526, 537, 553, 513;
D7/600.1–600.4, 704; D8/373, 366,
D8/352, 356, 376, 380; 248/317
CPC A45D 44/04; A45D 20/00; A45D 20/12;
A45D 2020/126; A45D 2020/128; A45D
44/02; A45D 2001/002; A45D 20/16; A47F
5/00; A47F 5/01; A47F 5/13
See application file for complete search history.

(56) **References Cited**

U.S. PATENT DOCUMENTS

4,874,142 A * 10/1989 Gelatt A45D 20/12
248/185.1
D315,306 S * 3/1991 Reister D28/73
D328,216 S * 7/1992 Steed D6/525
D335,935 S * 5/1993 Rouail D28/73
D336,704 S * 6/1993 Foden D30/118

(Continued)

OTHER PUBLICATIONS

Amazon.com, “Flat Iron & Hair Dryer Holder Combination Organizer” Accessed on Oct. 5, 2015. Reviewed first on Jun. 31, 2012. (http://www.amazon.com/Holder-Combination-Organizer-Polished-Chrome/dp/B004IKG7VY/ref=cm_cr_pr_product_top?ie=UTF8).*

(Continued)

Primary Examiner — Jennifer Rivard
Assistant Examiner — April Rivas

(74) *Attorney, Agent, or Firm* — Benesch Friedlander Coplan & Aronoff, LLP

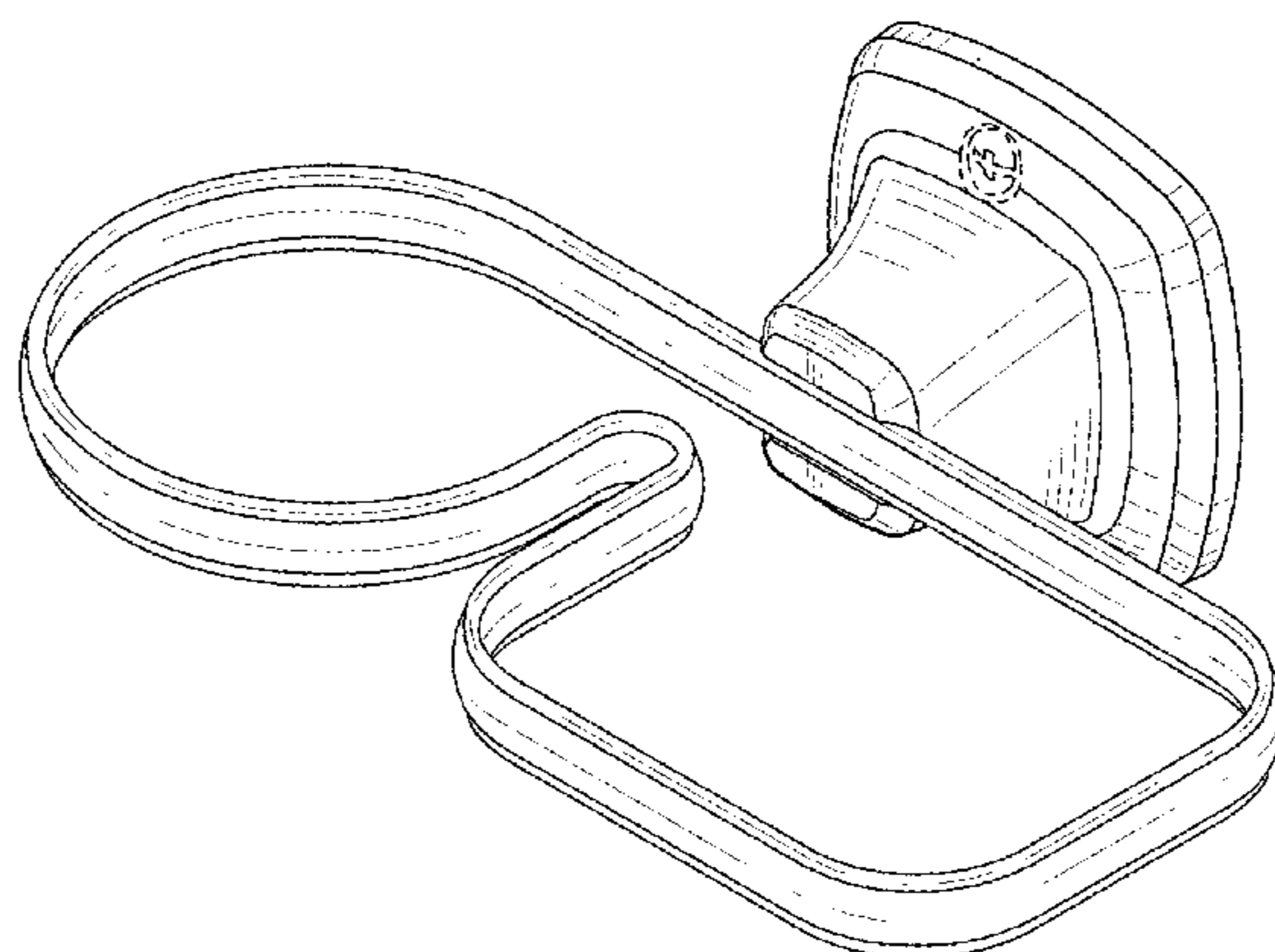
(57) **CLAIM**

What is claimed is the ornamental design for a wall mounted styling station, as shown and described.

DESCRIPTION

FIG. 1 is a perspective view of a wall mounted styling station showing a new design;
FIG. 2 is a front view of the wall mounted styling station of FIG. 1;
FIG. 3 is a rear view of the wall mounted styling station of FIG. 1;
FIG. 4 is a top view of the wall mounted styling station of FIG. 1;
FIG. 5 is a side view of the wall mounted styling station of FIG. 1;
FIG. 6 is a cross-sectional view taken along line 6-6 of FIG. 5;
FIG. 7 is a perspective view of another embodiment of the wall mounted styling station of FIG. 1; and,
FIG. 8 is a cross-sectional view taken along line 8-8 of FIG. 7. The broken lines and the unshaded areas within illustrate portions of the wall mounted styling station and form no part of the claimed design.

1 Claim, 4 Drawing Sheets



(56)

References Cited

U.S. PATENT DOCUMENTS

D557,049 S * 12/2007 Sedwick D6/524
D559,024 S * 1/2008 Tau D6/566
D637,850 S * 5/2011 Ghiorghie D3/306
D697,673 S * 1/2014 Wright D28/38
D703,381 S * 4/2014 Petruccelli D28/38
D723,302 S * 3/2015 Goodman D6/566
D732,844 S * 6/2015 Georgeson D6/524\

2004/0135048 A1* 7/2004 Wise A45D 20/12
248/304
2006/0255219 A1* 11/2006 Wang A45D 20/12
248/176.1

OTHER PUBLICATIONS

Google.com image search "flat iron and hair dryer holder". Date restricted to show results prior to Oct. 29, 2013. Accessed on Oct. 9, 2015.*

* cited by examiner

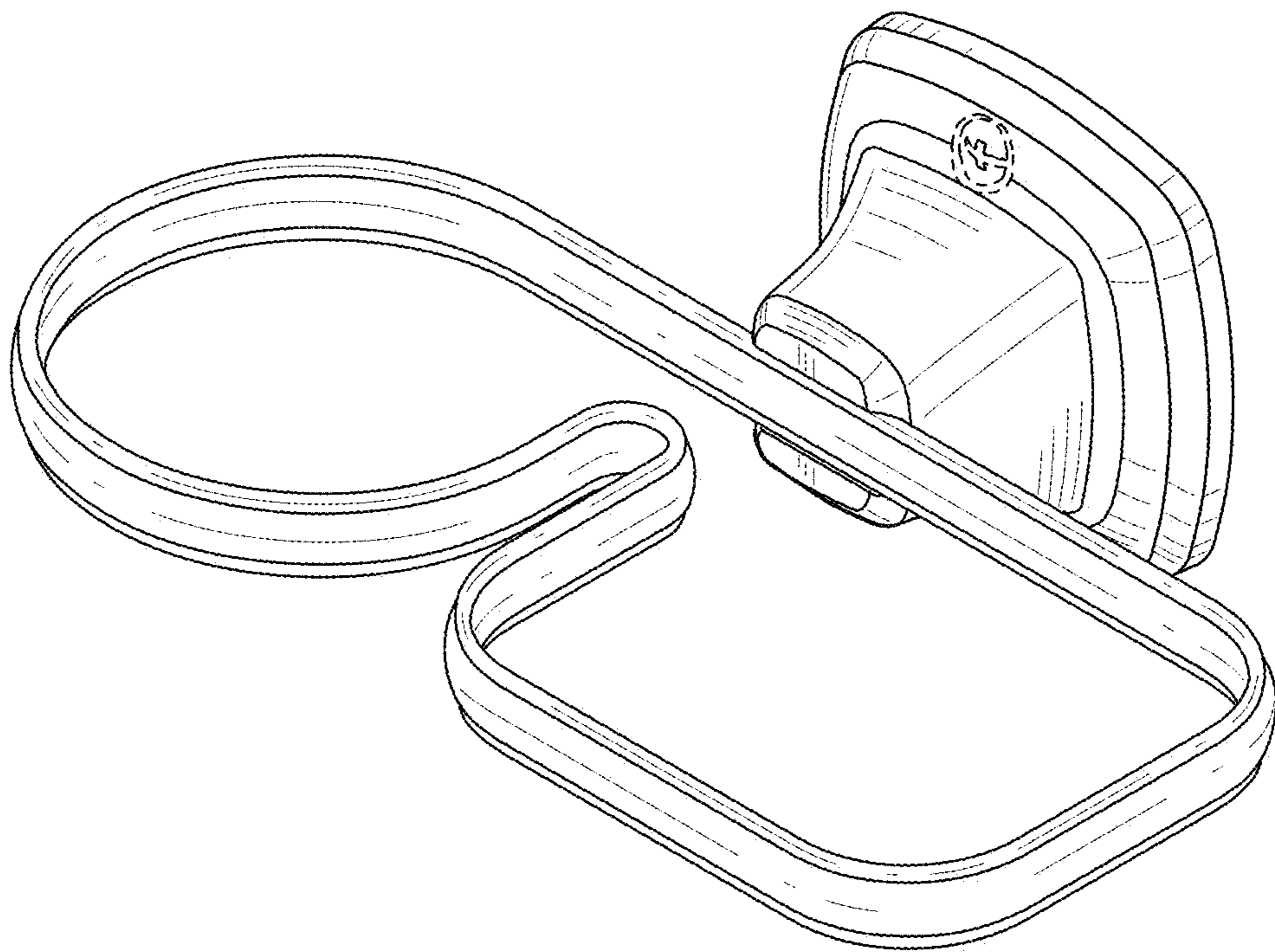


FIG. 1

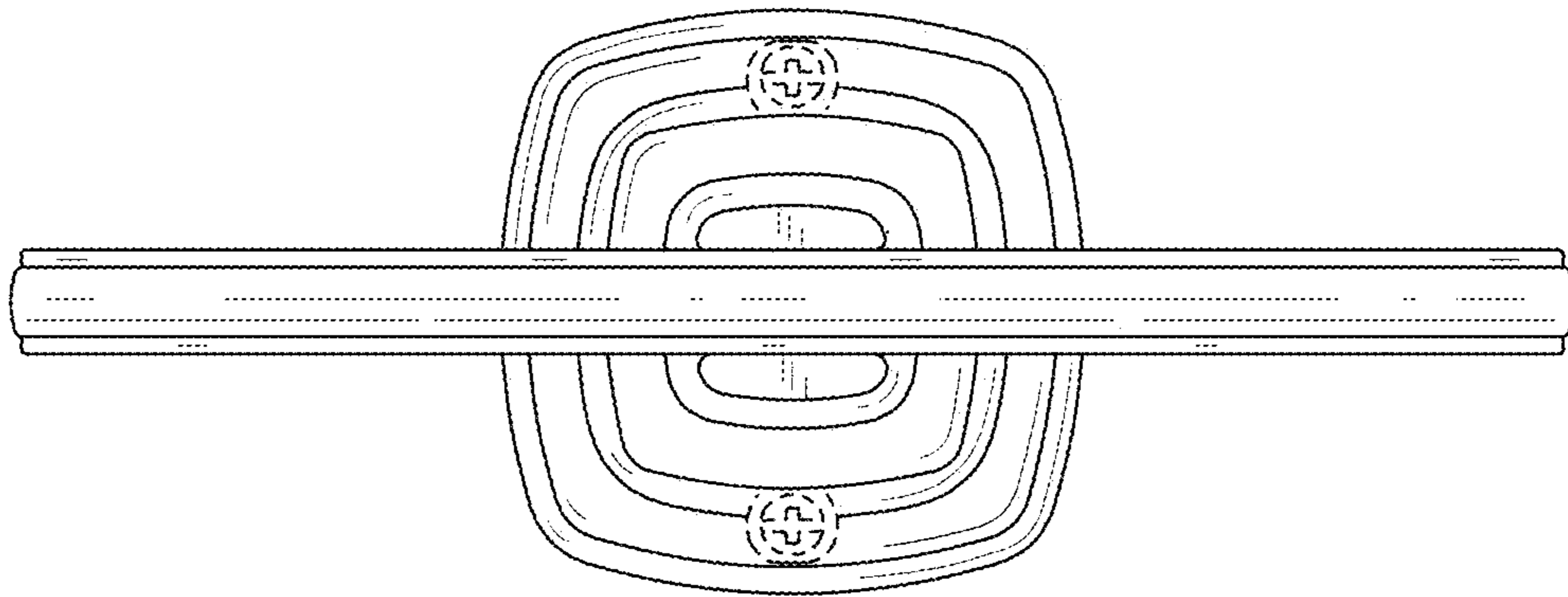


FIG. 2

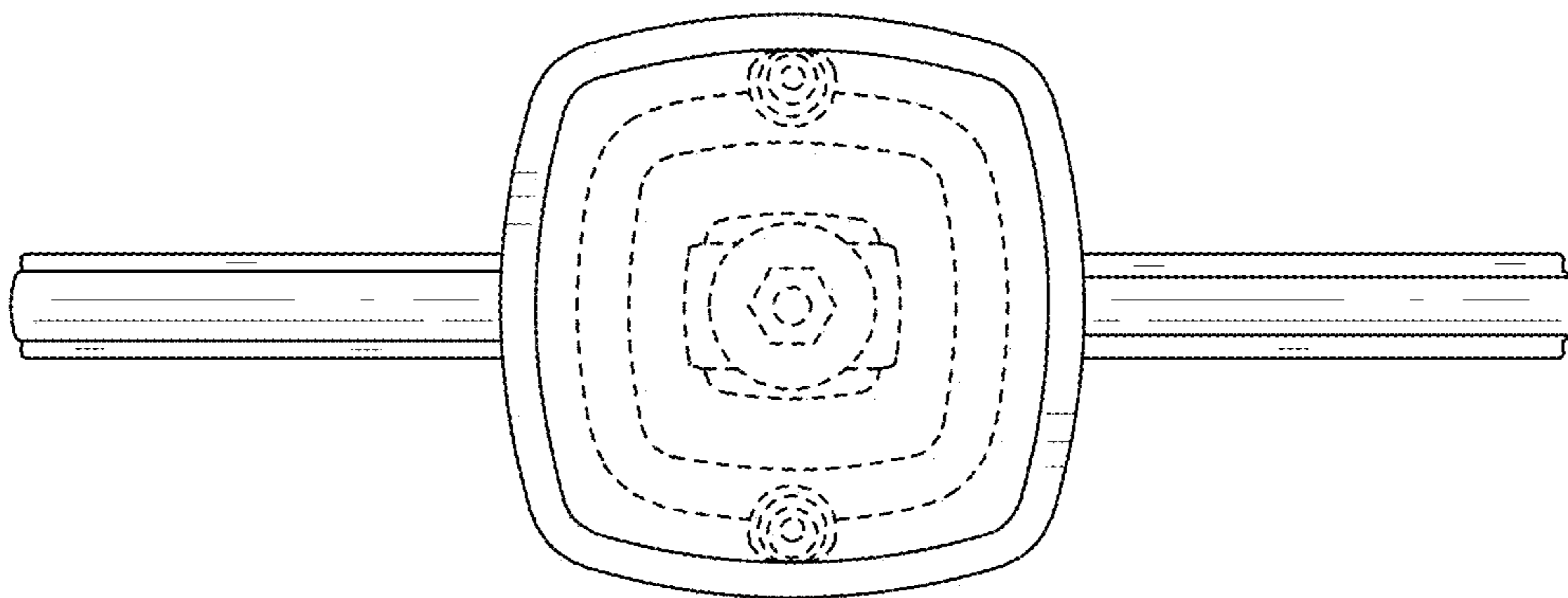


FIG. 3

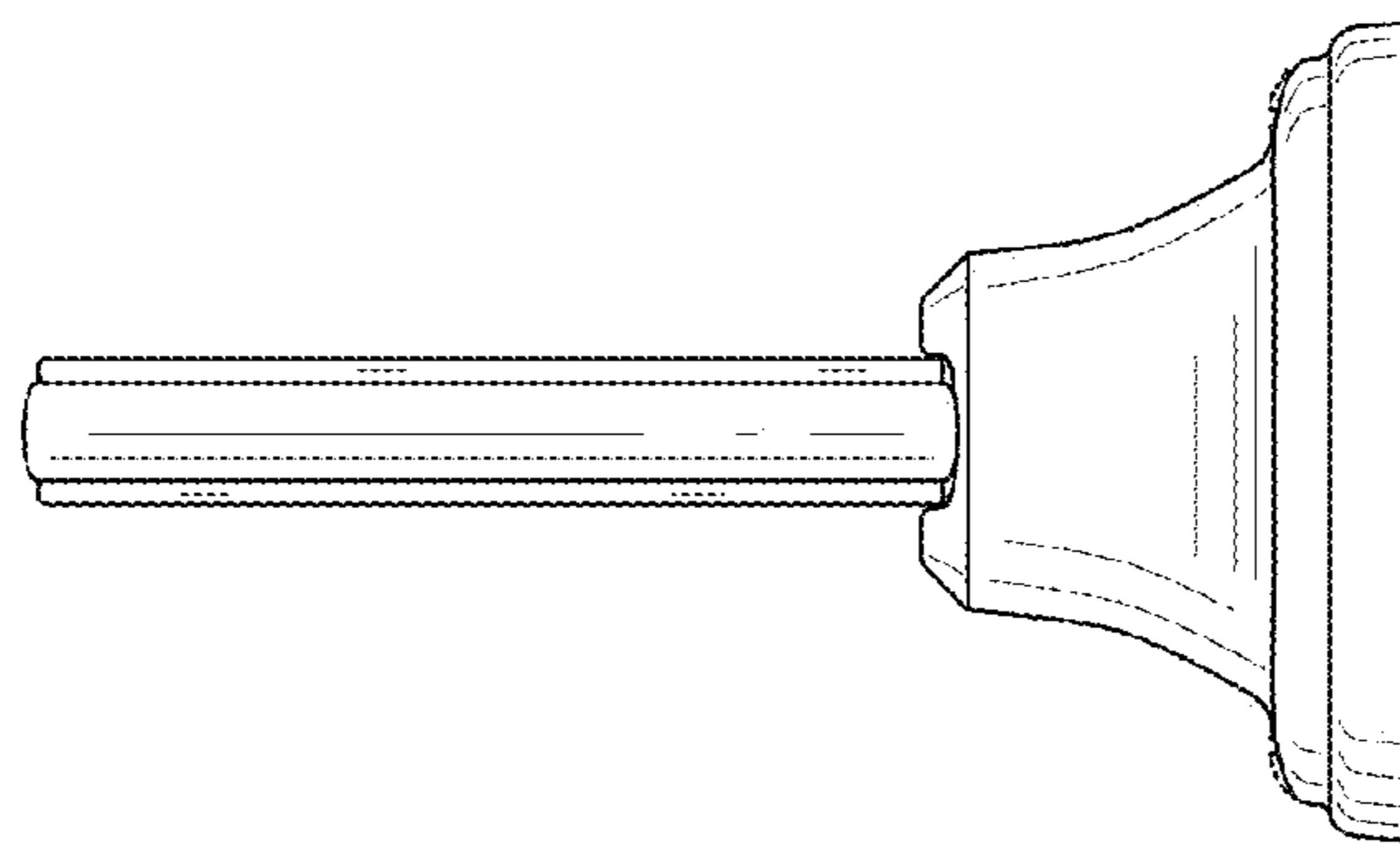
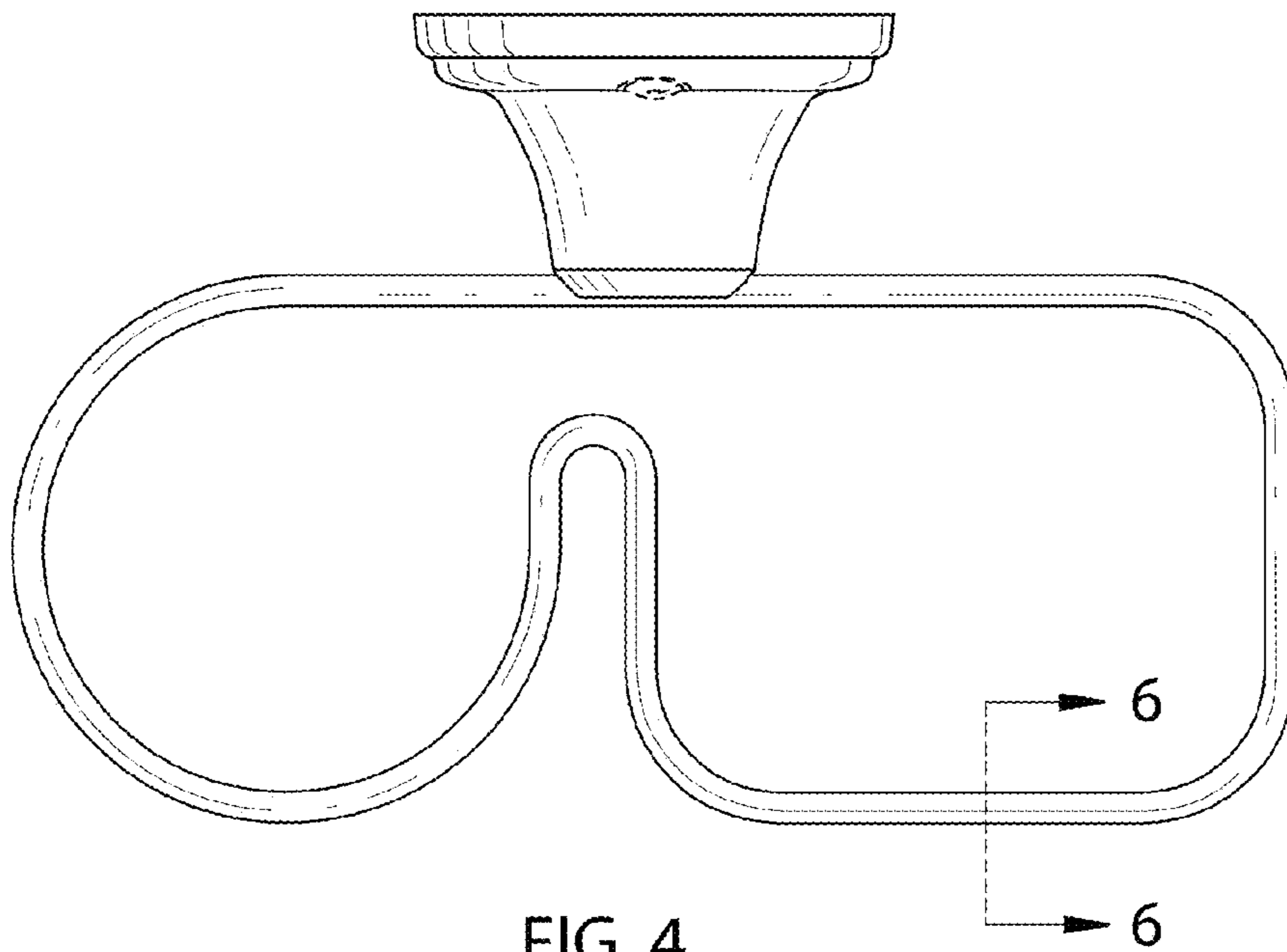


FIG. 6

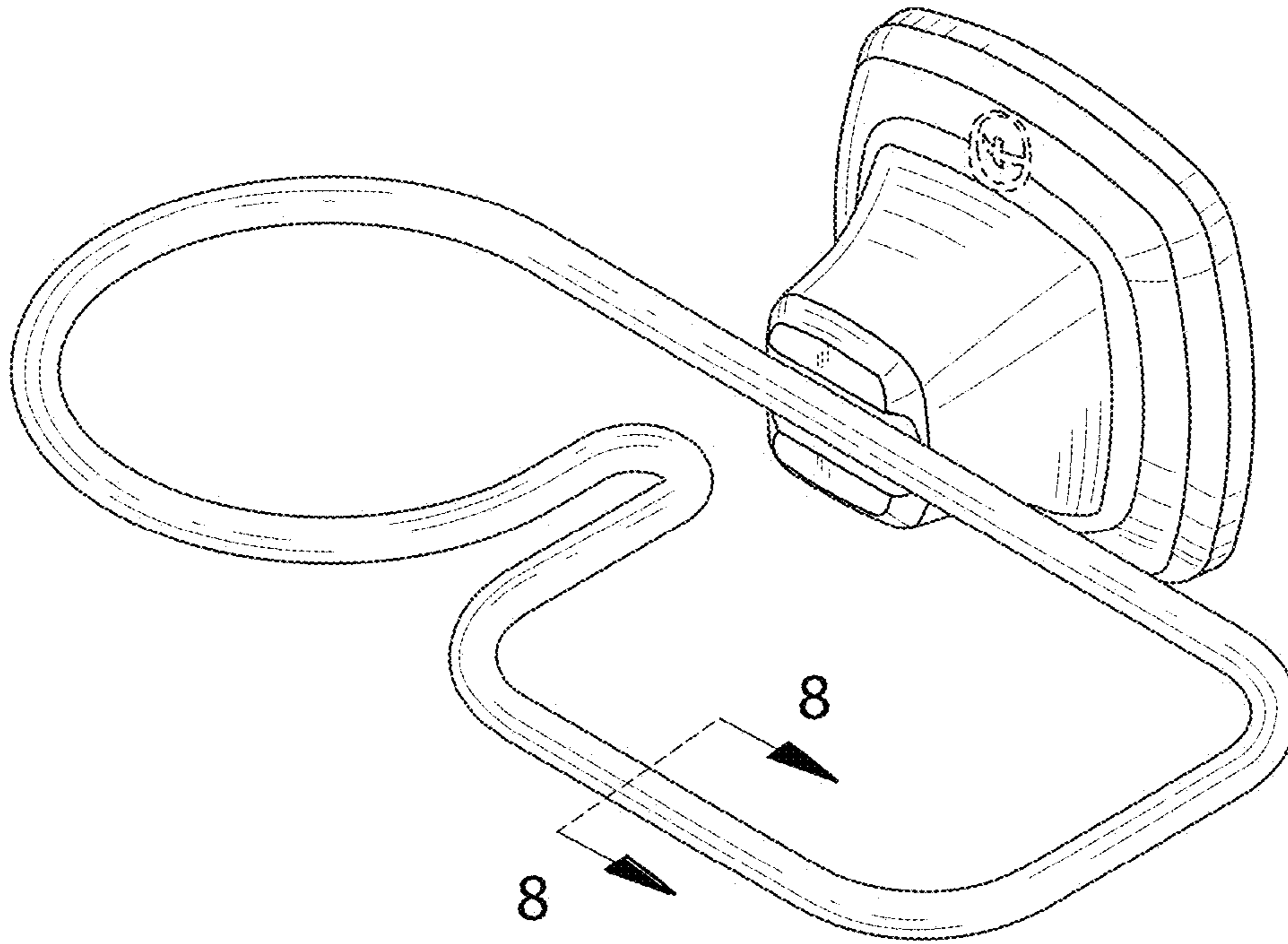


FIG. 7

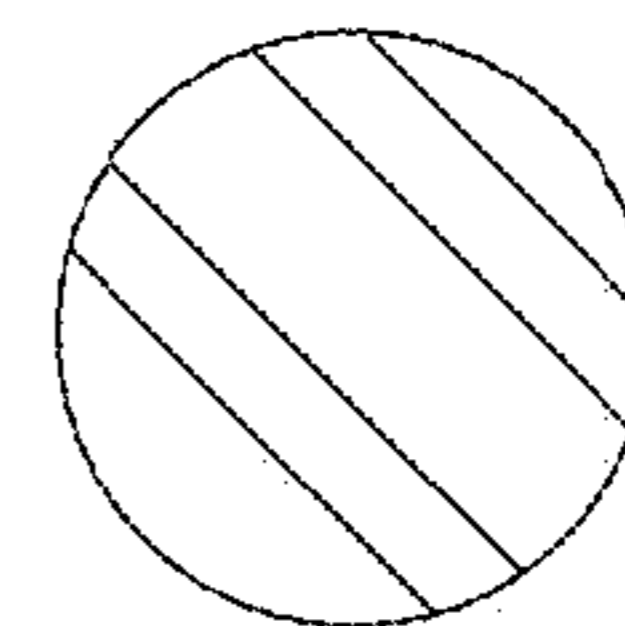


FIG. 8