



US00D759312S

(12) **United States Design Patent**  
**Kliegman et al.**

(10) **Patent No.:** **US D759,312 S**  
(45) **Date of Patent:** **\*\* Jun. 14, 2016**

(54) **PEELABLE NAIL FILE**

(71) Applicants: **Adriana Kliegman**, New York, NY  
(US); **Hussain Qurashi**, Kendall Park,  
NJ (US); **Krystyne M Biser**, Brooklyn,  
NY (US); **Antonette Bivona**, Bayside,  
NY (US)

(72) Inventors: **Adriana Kliegman**, New York, NY  
(US); **Hussain Qurashi**, Kendall Park,  
NJ (US); **Krystyne M Biser**, Brooklyn,  
NY (US); **Antonette Bivona**, Bayside,  
NY (US)

(73) Assignee: **Revlon Consumer Products Corp.**,  
New York, NY (US)

(\*\*) Term: **14 Years**

(21) Appl. No.: **29/491,475**

(22) Filed: **May 21, 2014**

(51) **LOC (10) Cl.** ..... **28-03**

(52) **U.S. Cl.**  
USPC ..... **D28/59**

(58) **Field of Classification Search**  
USPC ..... D28/56-59; D24/133, 146, 147;  
132/73, 73.5, 75.3, 75.5, 75.6, 76.4,  
132/76.5  
CPC . A45D 2029/045; A45D 29/04; A45D 29/12;  
A45D 29/11; A45D 2200/1054; A61B 17/54;  
A61B 2017/320008

See application file for complete search history.

(56) **References Cited**

U.S. PATENT DOCUMENTS

1,868,985	A *	7/1932	Lyon .....	132/73.5
3,866,618	A *	2/1975	Tsukamoto .....	132/76.4
3,923,070	A *	12/1975	Tsukamoto .....	132/73
4,184,499	A *	1/1980	Seidler .....	132/75.6
5,666,981	A *	9/1997	Stephens .....	132/76.4
5,799,666	A *	9/1998	Wu .....	132/76.4
5,813,416	A *	9/1998	Rudolph .....	132/76.4
D463,070	S *	9/2002	Fracassi .....	D28/59
D486,268	S *	2/2004	Chien .....	D28/59
D524,441	S *	7/2006	Anderson et al. ....	D24/147
D571,041	S *	6/2008	Schaeffer .....	D28/59
D619,795	S	7/2010	McBride	
D717,998	S *	11/2014	Paccagnini et al. ....	D28/59
8,888,790	B2 *	11/2014	Grace et al. ....	606/131
2002/0157681	A1 *	10/2002	Blazek .....	132/76.4
2009/0258585	A1 *	10/2009	Miekka et al. ....	451/523
2010/0037906	A1 *	2/2010	Ionis et al. ....	132/76.5

\* cited by examiner

*Primary Examiner* — Jennifer Rivard

(57) **CLAIM**

The ornamental design for a peelable nail file, as shown and described.

**DESCRIPTION**

FIG. 1: is a top perspective view of a peelable nail file.  
FIG. 2: is a top view of the nail file shown in FIG. 1.  
FIG. 3: is a bottom of the nail file shown in FIG. 1.  
FIG. 4: is a right side elevation view of the nail file shown in FIG. 1.  
FIG. 5: is a left side elevation view of the nail file shown in FIG. 1.  
FIG. 6: is a front view of the nail file shown in FIG. 1; and,  
FIG. 7: is a back view of the nail file shown in FIG. 1.  
In all figures, broken lines represent the boundary of an additional peelable nail file layer for illustrative purposes only and form no part of the claimed design.

**1 Claim, 4 Drawing Sheets**

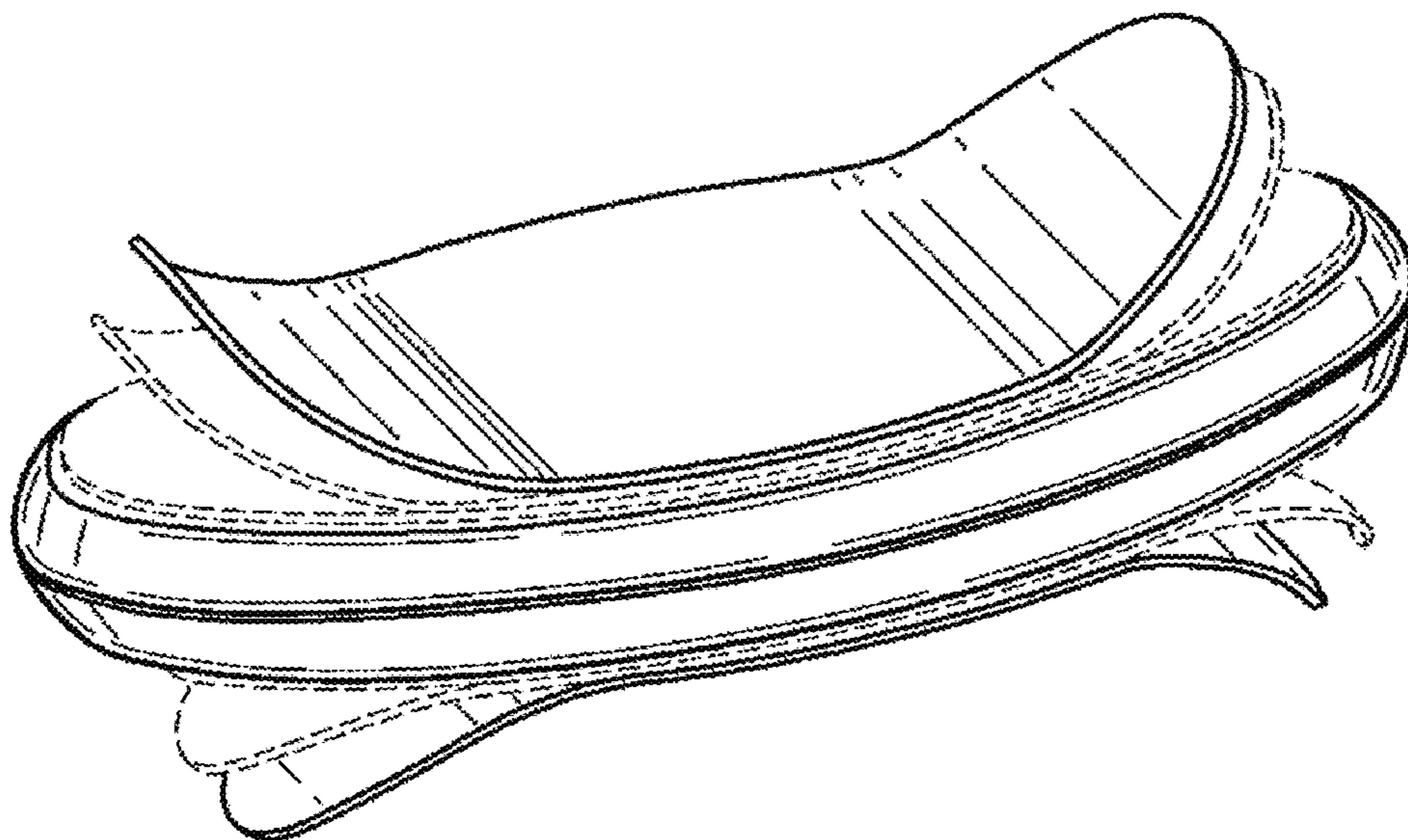


FIG. 1

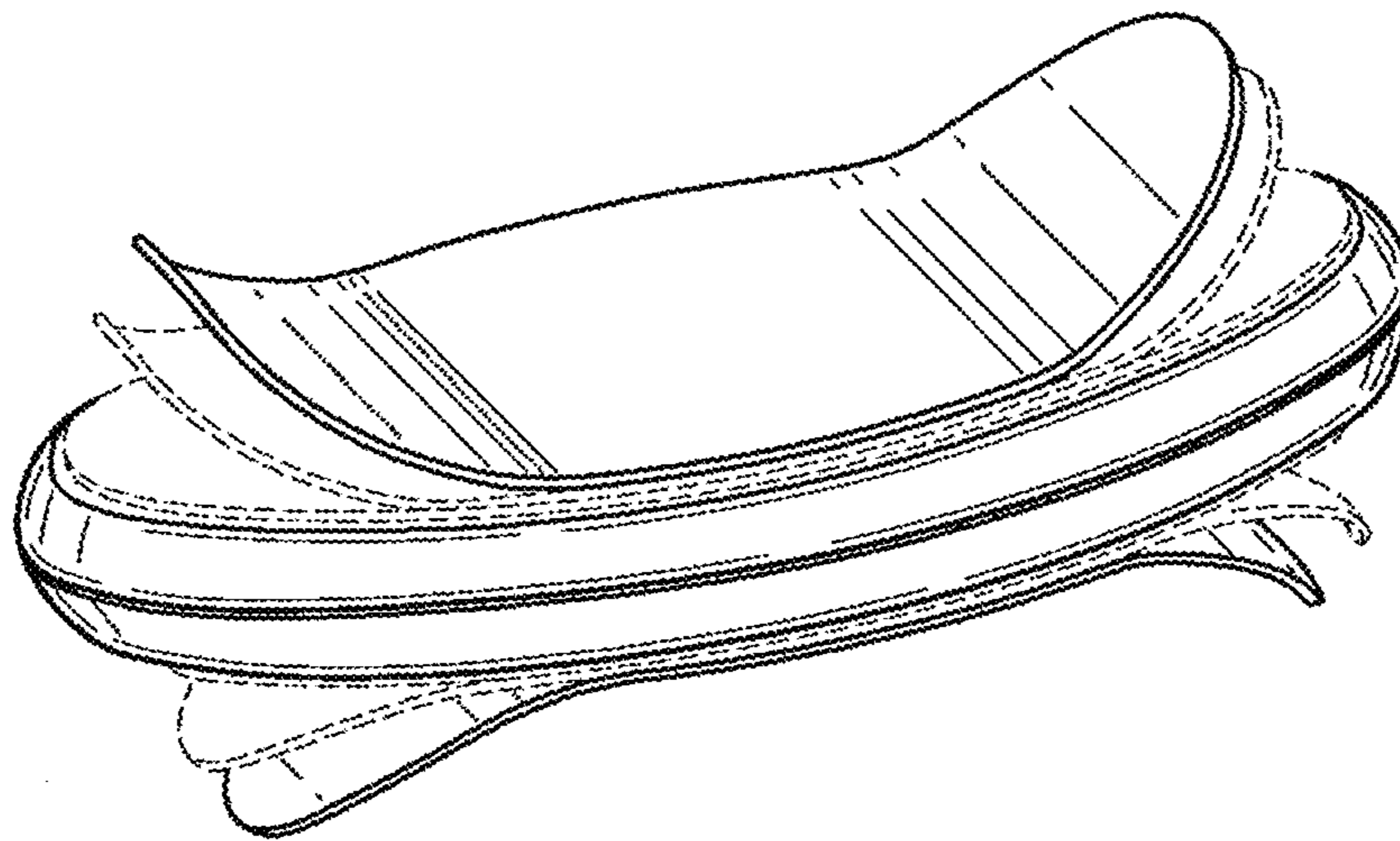


FIG. 2

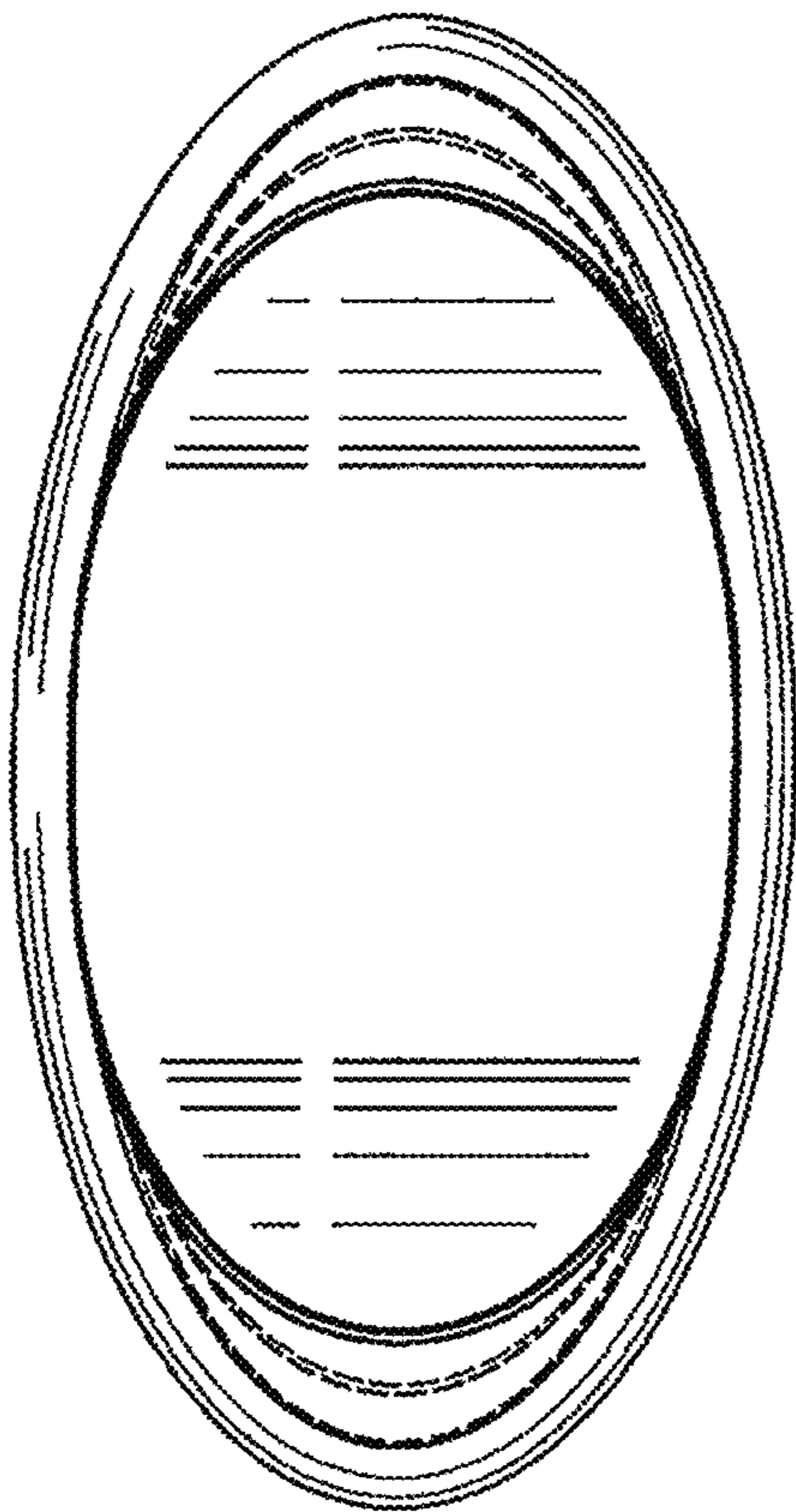


FIG. 3

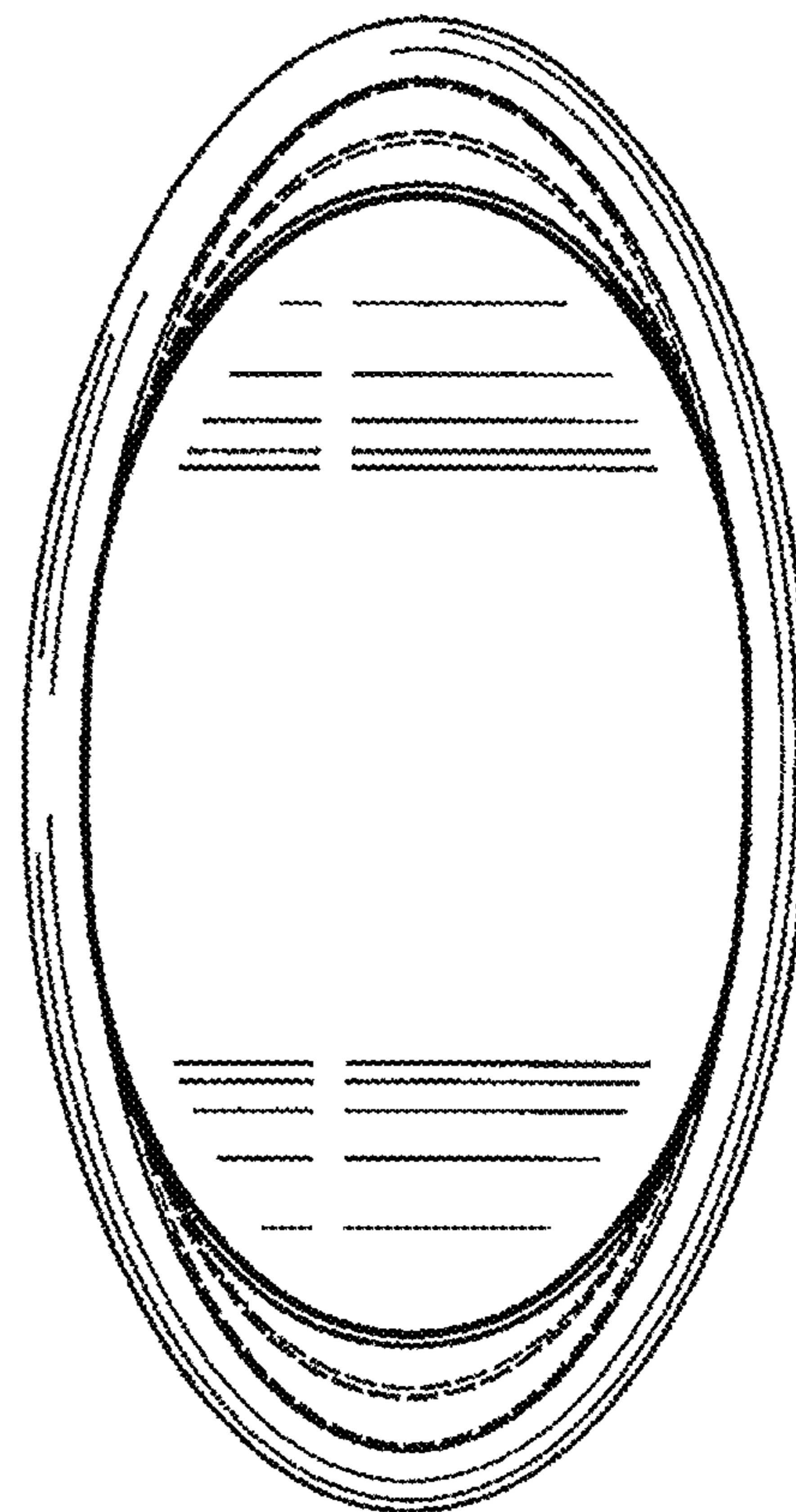


FIG. 4

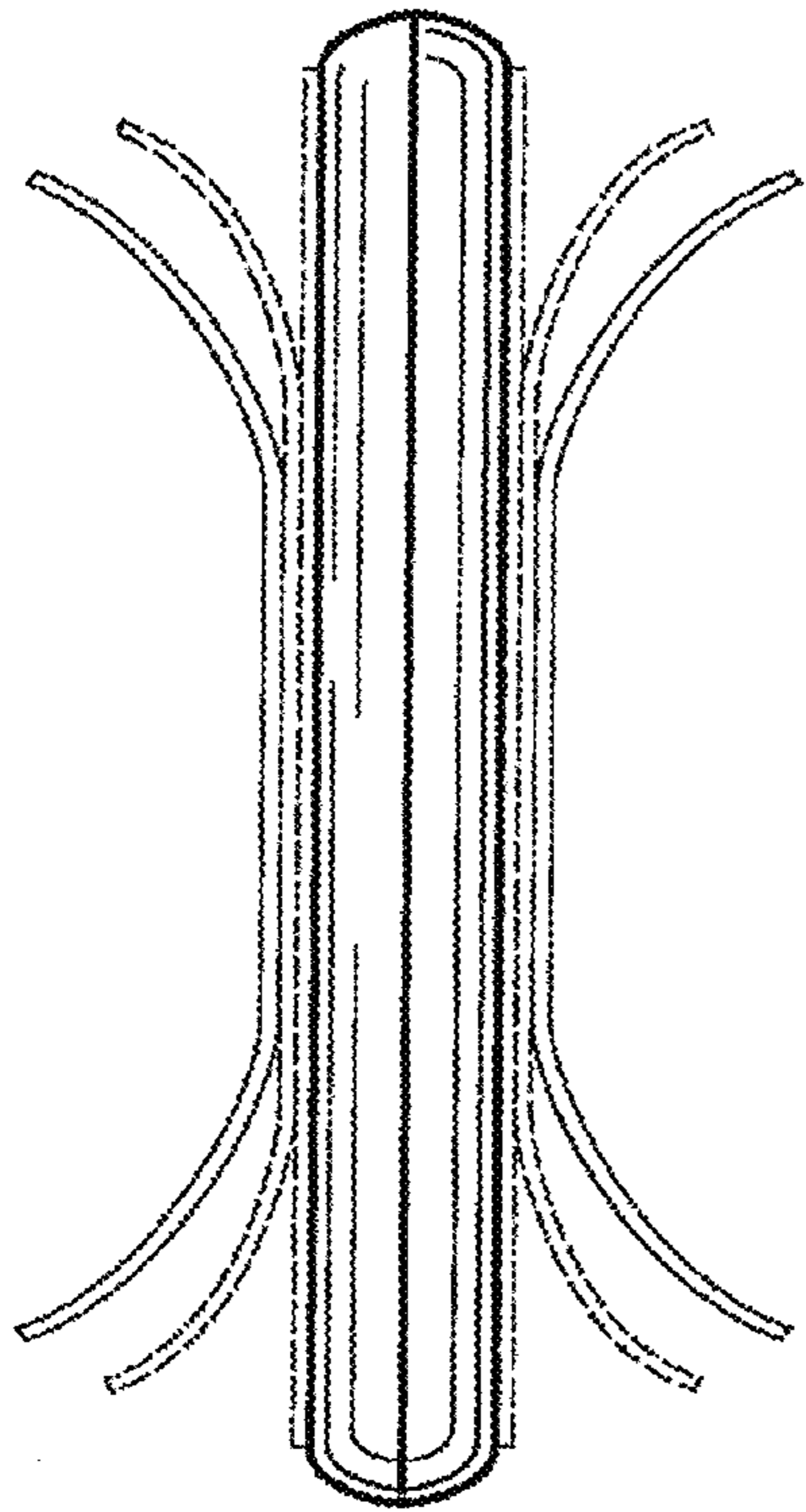


FIG. 5

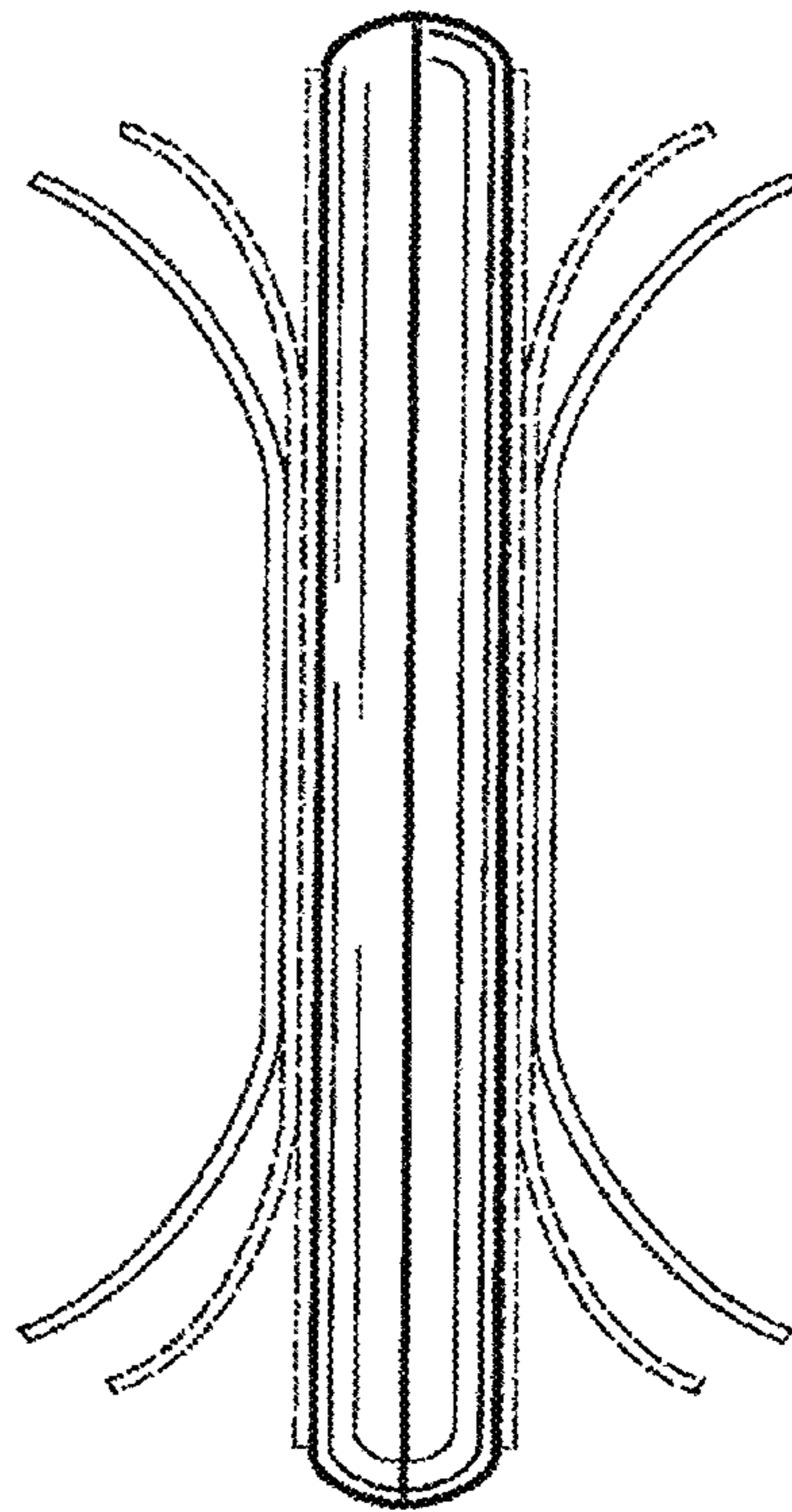


FIG. 6

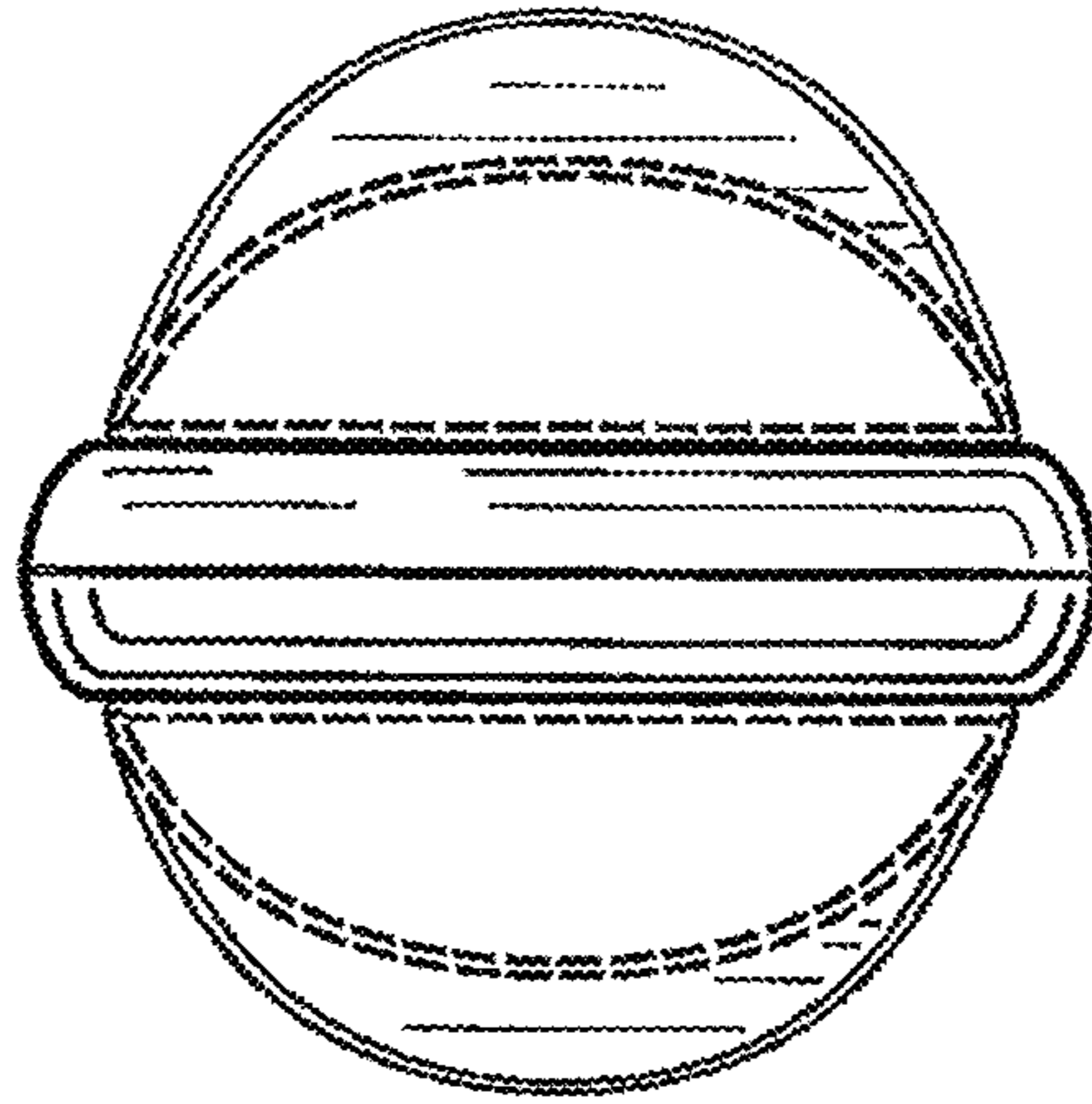


FIG. 7

