



US00D759303S

(12) **United States Design Patent**  
**Afridi**

(10) **Patent No.:** **US D759,303 S**  
(45) **Date of Patent:** **\*\* Jun. 14, 2016**

- (54) **VAPORIZER**
- (71) Applicant: **A.K.A. Worldwide, L.L.C.**, Salt Lake City, UT (US)
- (72) Inventor: **Adnan Afridi**, Riverton, UT (US)
- (73) Assignee: **A.K.A. Worldwide, L.L.C.**, Riverton, UT (US)
- (\*\*) Term: **14 Years**
- (21) Appl. No.: **29/518,036**
- (22) Filed: **Feb. 19, 2015**
- (51) **LOC (10) Cl.** ..... **27-02**
- (52) **U.S. Cl.**  
USPC ..... **D27/163; D27/101**
- (58) **Field of Classification Search**  
USPC ..... D27/101, 162, 163-169, 171; D24/110, D24/113; D23/360; 131/329  
CPC ..... A24F 47/00; A24F 47/002; A24F 47/004; A24F 47/006; A24F 47/008; F23Q 2/28  
See application file for complete search history.

D724,263 S *	3/2015	Malhi .....	D27/101
D725,310 S *	3/2015	Eksouzian .....	D27/101
D727,562 S *	4/2015	Li .....	D27/101
D731,112 S *	6/2015	Li .....	D27/101
D751,249 S *	3/2016	Chen .....	D27/101
2013/0068239 A1*	3/2013	Youn .....	A24F 47/008 131/273

\* cited by examiner

*Primary Examiner* — Susan Bennett Hattan

*Assistant Examiner* — Janice Hallmark

(74) *Attorney, Agent, or Firm* — Maschoff Brennan

(57) **CLAIM**

The ornamental design for a vaporizer, substantially as shown and described.

**DESCRIPTION**

FIG. 1 is a front perspective view of a vaporizer, showing my new design;  
 FIG. 2 is a top perspective view thereof;  
 FIG. 3 is a bottom perspective view thereof;  
 FIG. 4 is second top perspective view thereof;  
 FIG. 5 is another bottom perspective view thereof;  
 FIG. 6 is third top perspective view thereof;  
 FIG. 7 is a front elevational view thereof;  
 FIG. 8 is a rear elevational view thereof;  
 FIG. 9 is a first side elevational view thereof;  
 FIG. 10 is a second side elevational view thereof;  
 FIG. 11 is a top plan view thereof; and,  
 FIG. 12 is a bottom plan view thereof.

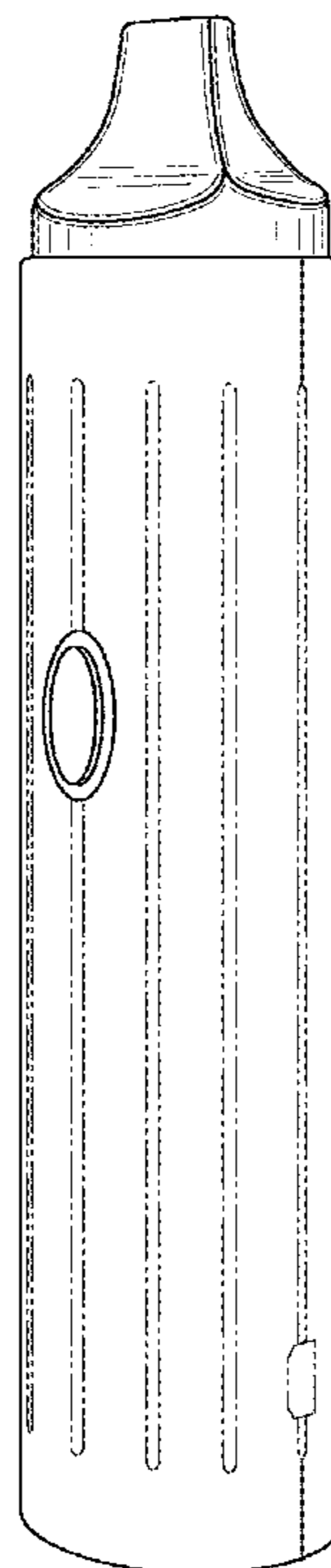
The broken lines in the drawings depict parts of the vaporizer that form no part of the claimed design.

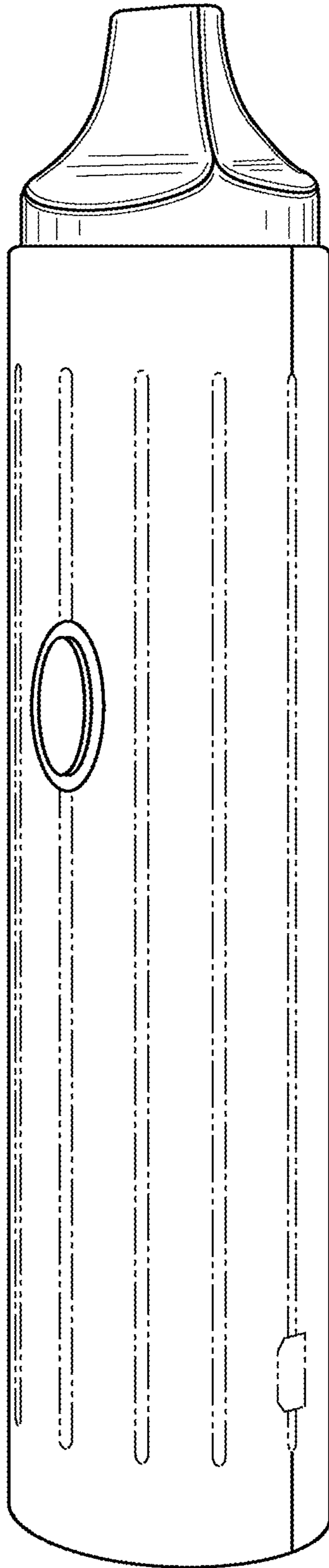
**1 Claim, 9 Drawing Sheets**

(56) **References Cited**

U.S. PATENT DOCUMENTS

D653,803 S *	2/2012	Timmermans .....	D27/163
D720,095 S *	12/2014	Alima .....	D27/101
D720,496 S *	12/2014	Alima .....	D27/101
D720,497 S *	12/2014	Alima .....	D27/101
D720,881 S *	1/2015	Liu .....	D27/101
D720,882 S *	1/2015	Albanese .....	D27/101
D721,202 S *	1/2015	Liu .....	D27/101





**FIG. 1**

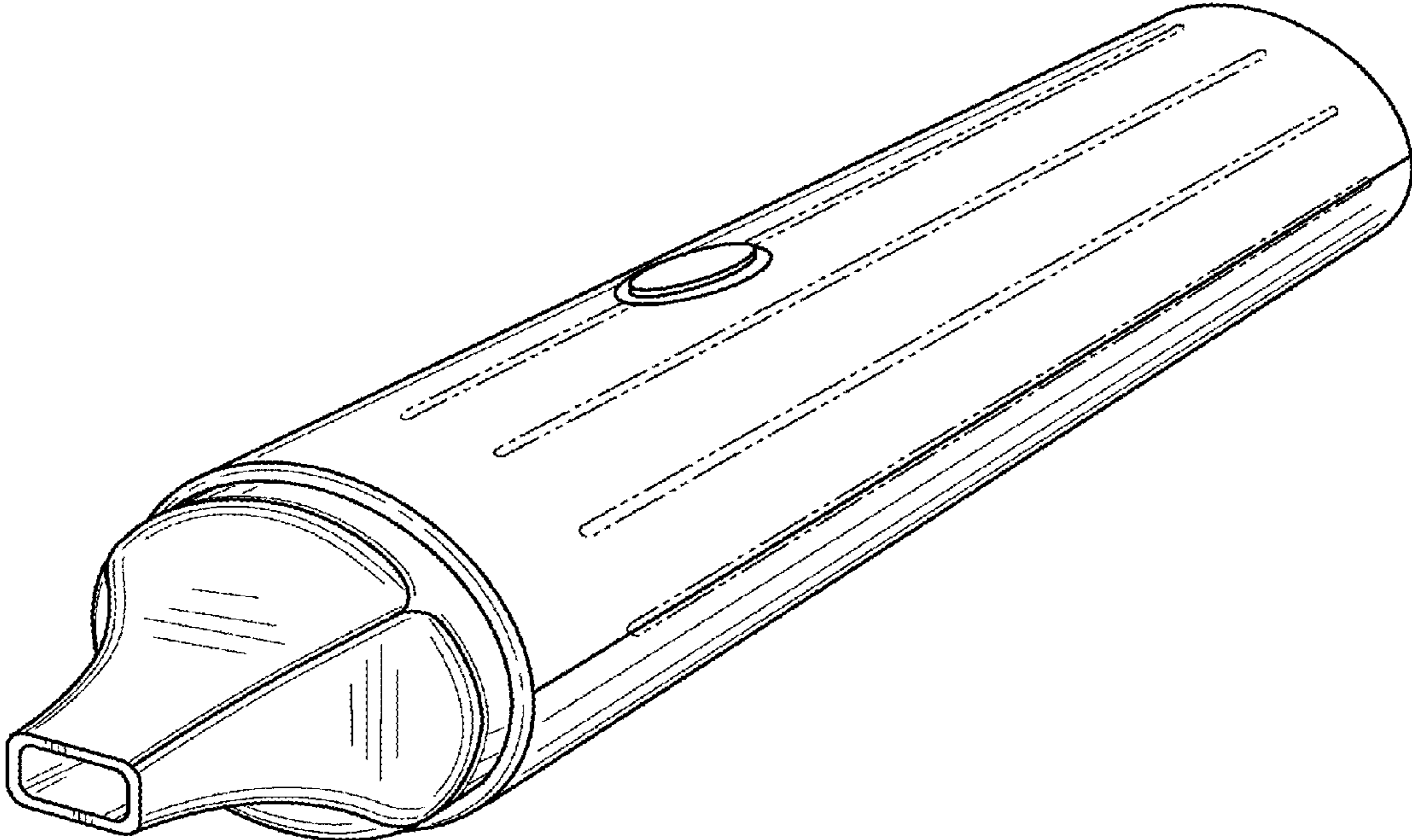


FIG. 2

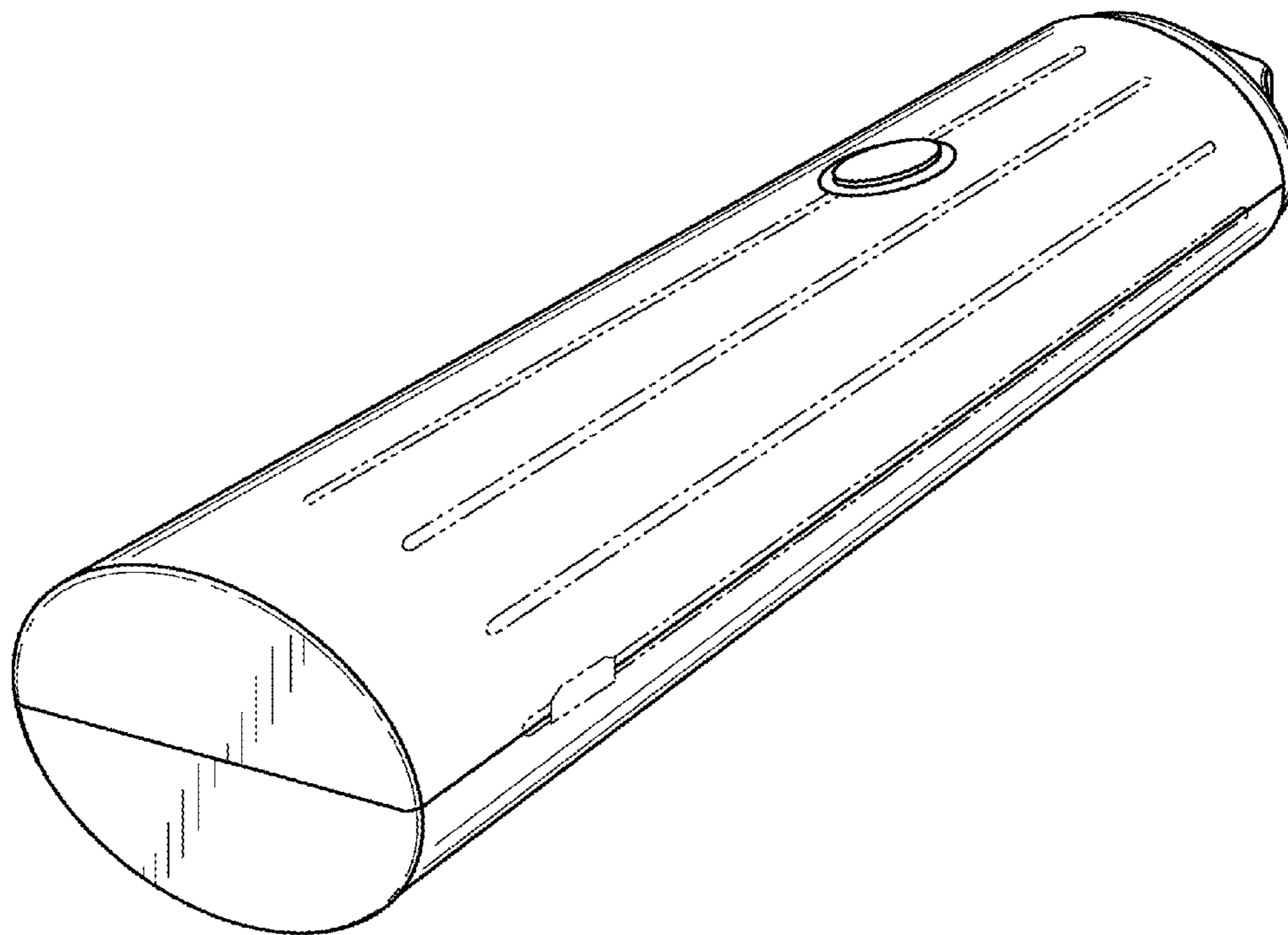
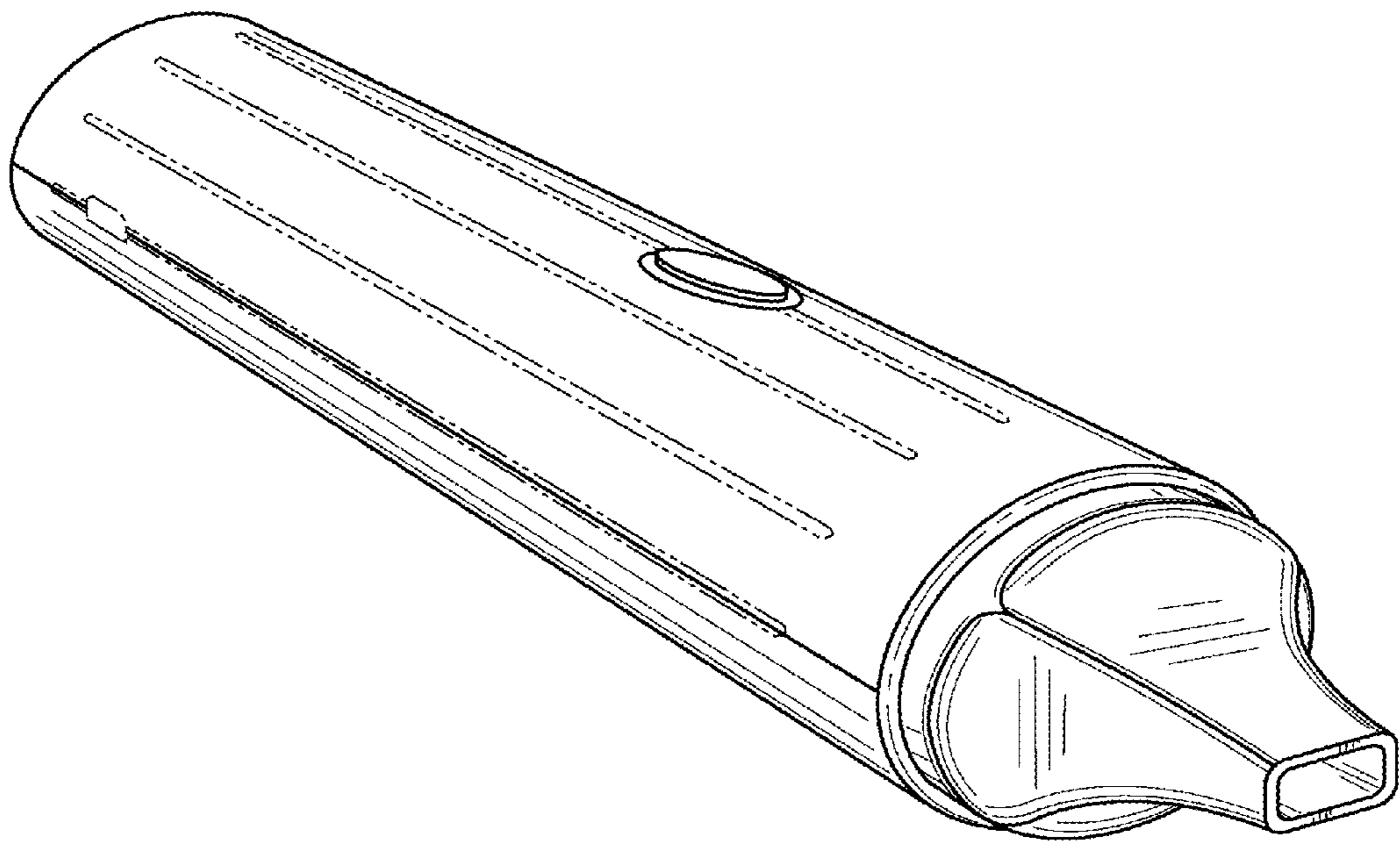
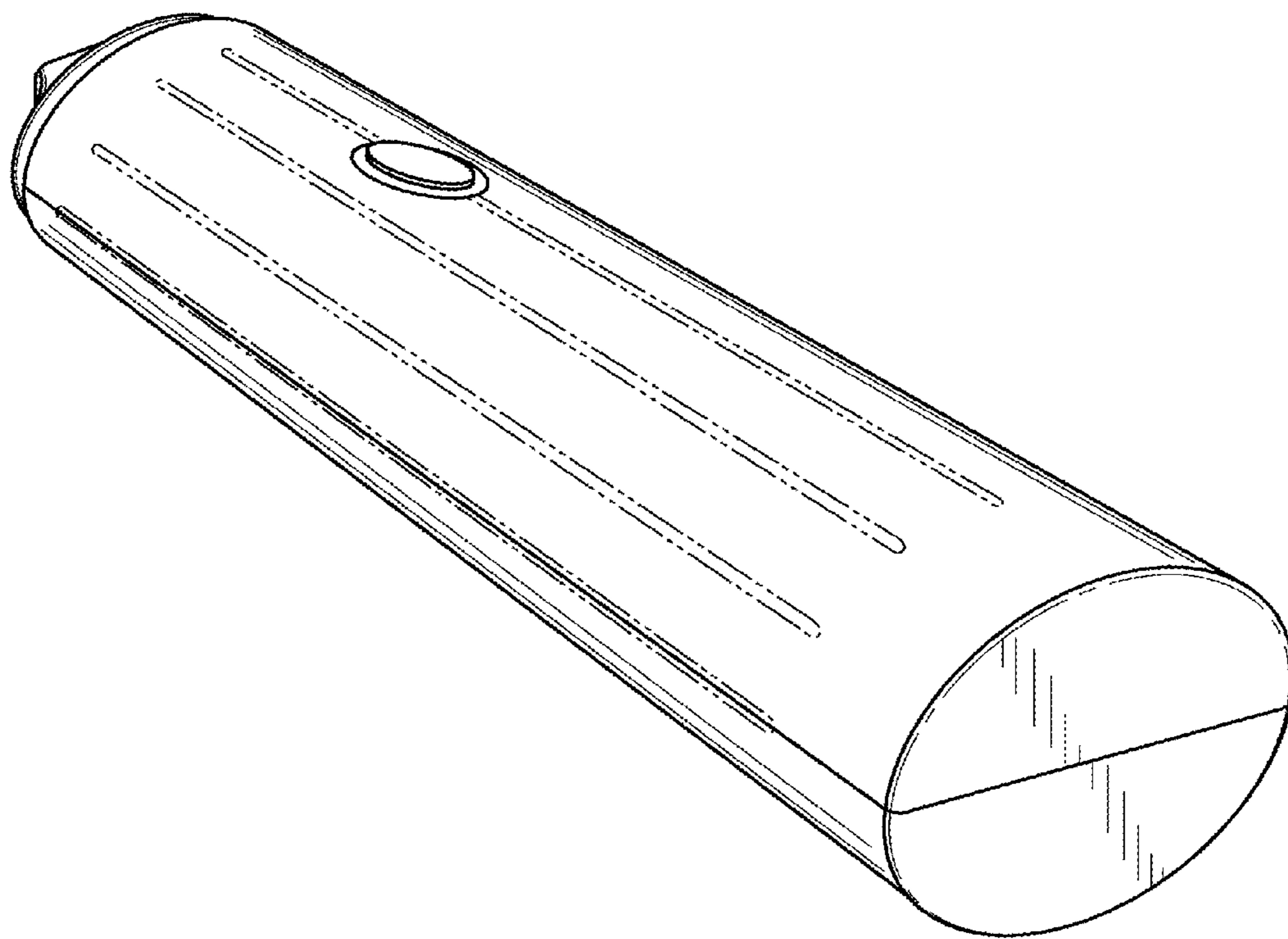


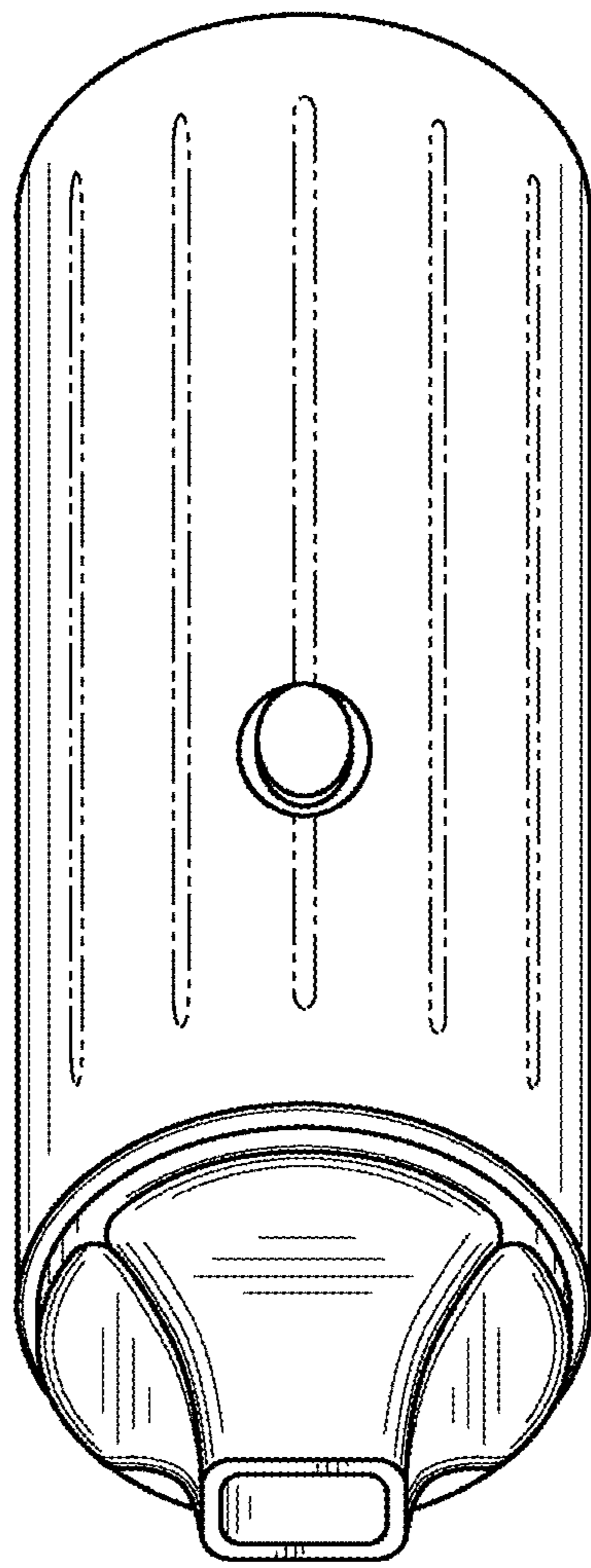
FIG. 3



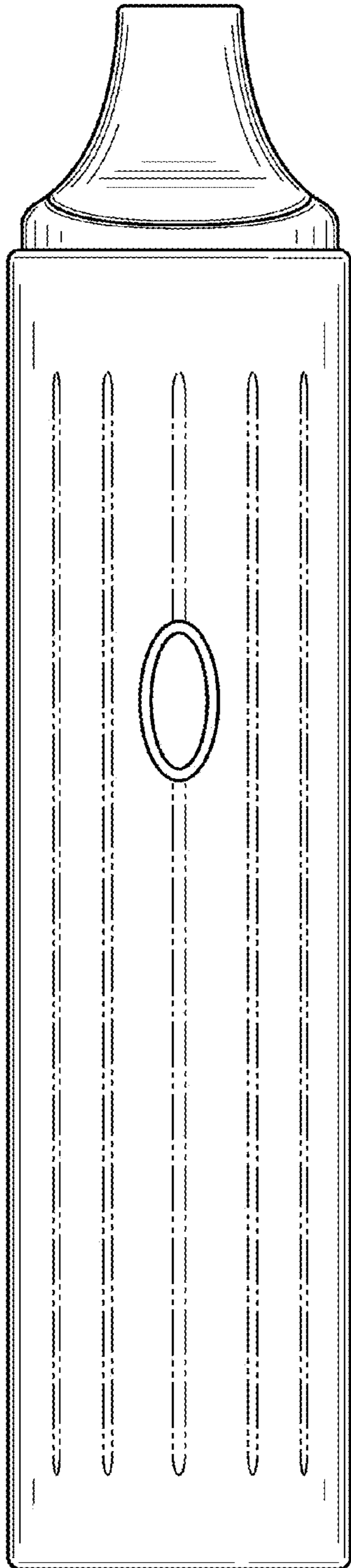
**FIG. 4**



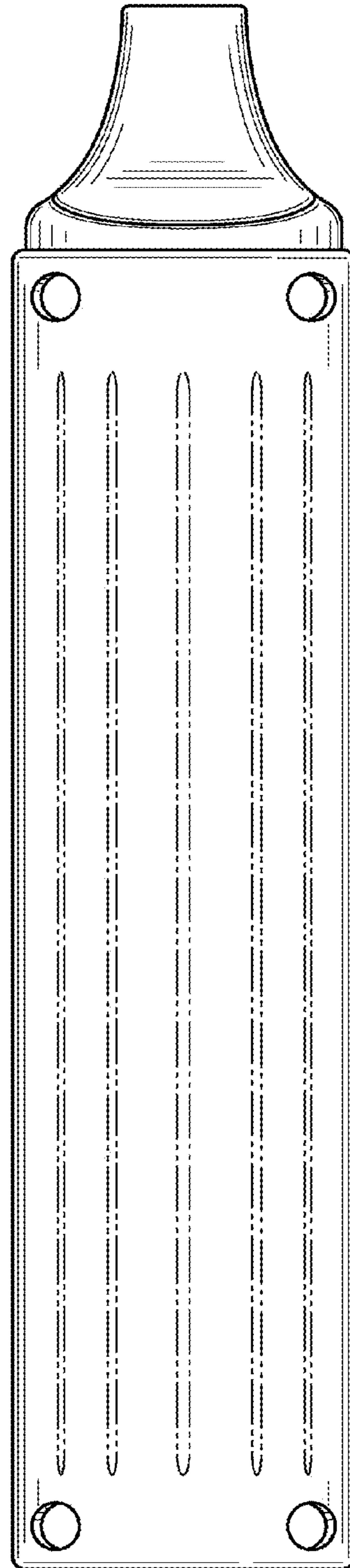
**FIG. 5**



**FIG. 6**

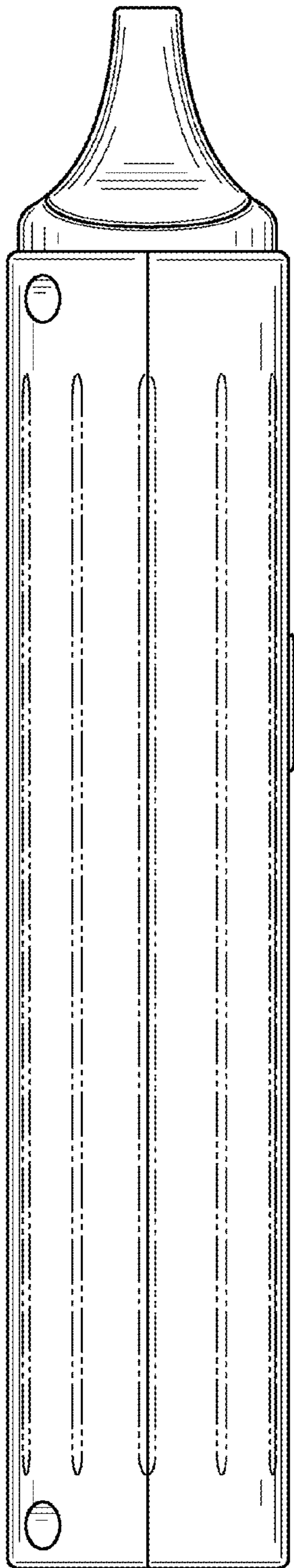


**FIG. 7**

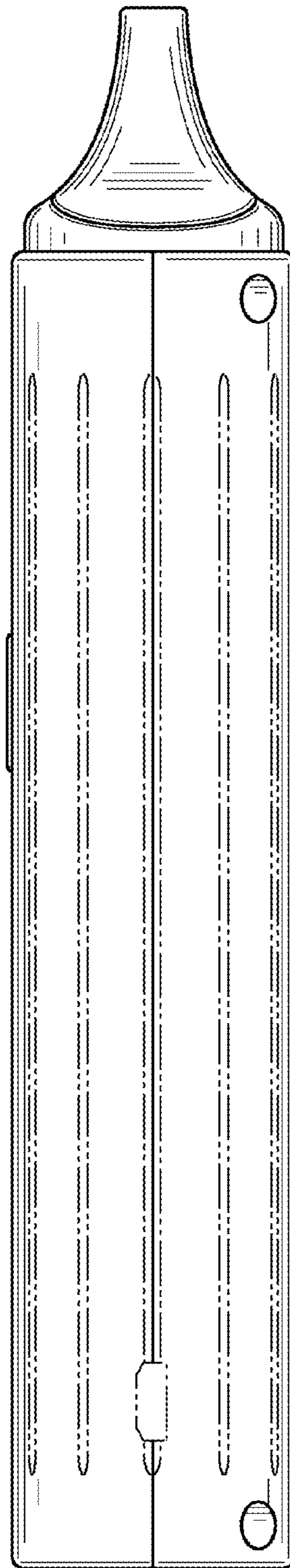


**FIG. 8**

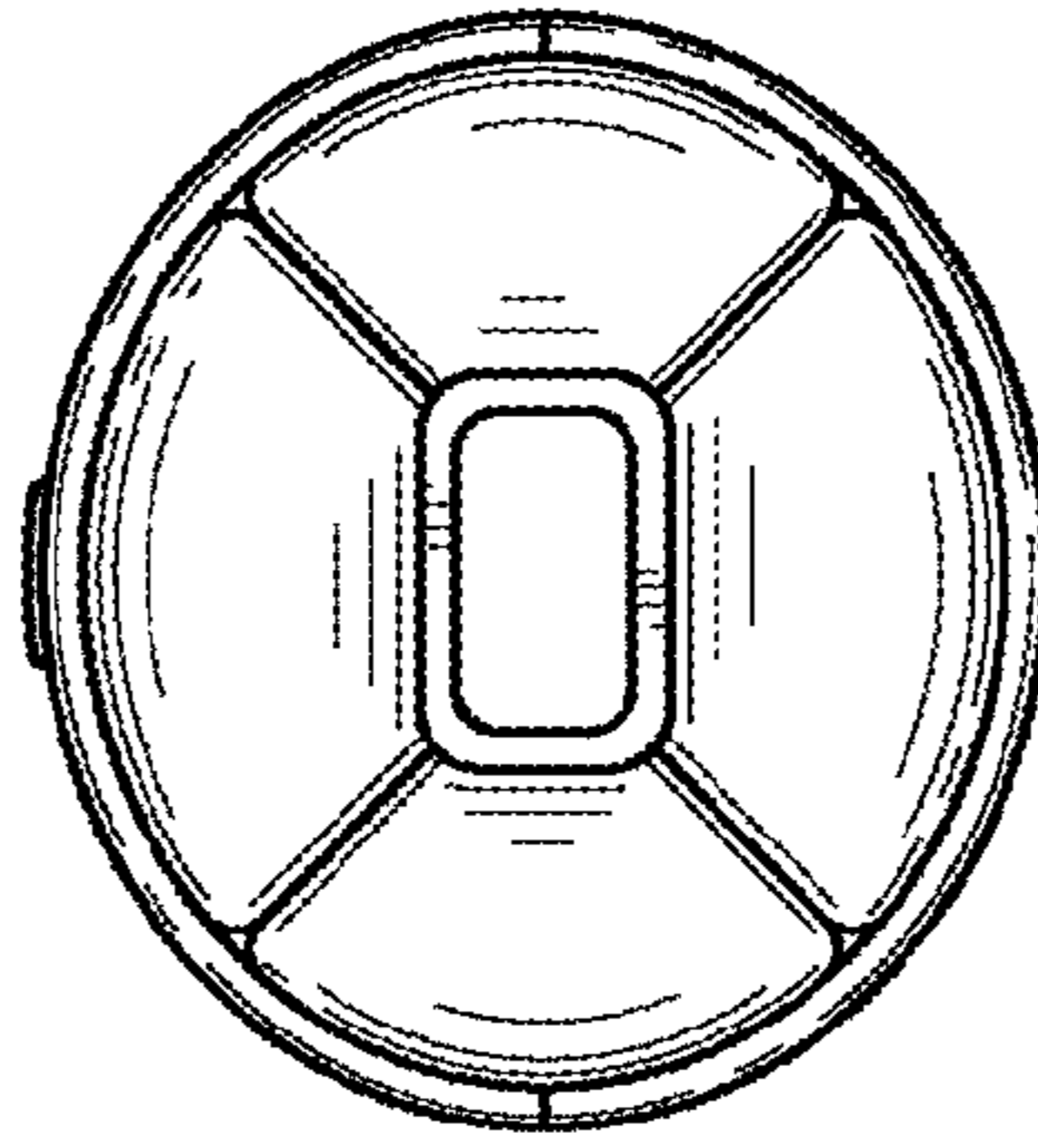




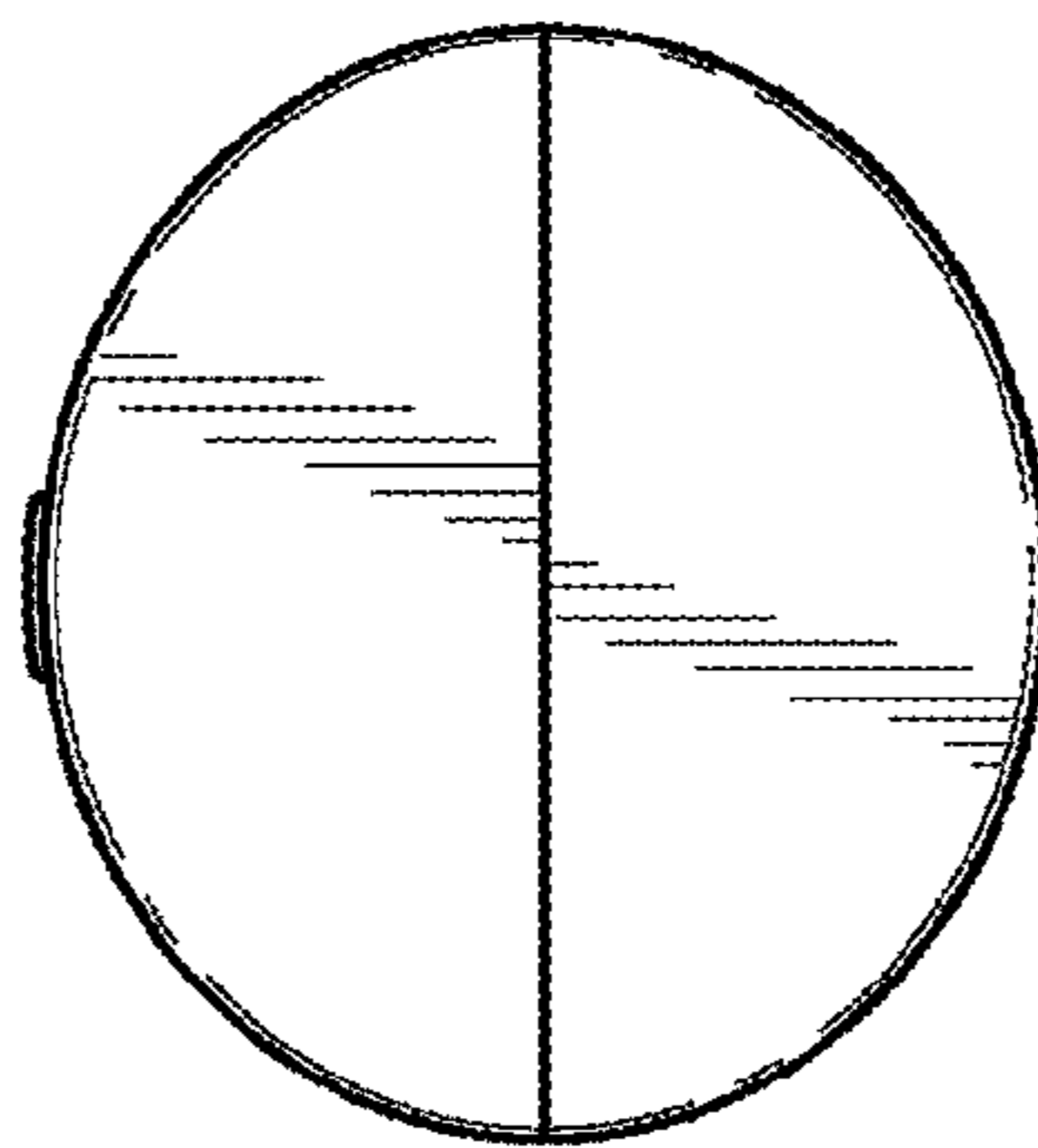
**FIG. 9**



**FIG. 10**



**FIG. 11**



**FIG. 12**