



US00D759302S

(12) **United States Design Patent**
Gadas

(10) **Patent No.:** **US D759,302 S**
(45) **Date of Patent:** **** Jun. 14, 2016**

(54) **VAPORIZER**

(71) Applicant: **Alexander Gadas**, Brooklyn, NY (US)

(72) Inventor: **Alexander Gadas**, Brooklyn, NY (US)

(73) Assignee: **Vapinventors, LLC**, Brooklyn, NY (US)

(**) Term: **14 Years**

(21) Appl. No.: **29/499,706**

(22) Filed: **Aug. 18, 2014**

(51) **LOC (10) Cl.** **27-02**

(52) **U.S. Cl.**
USPC **D27/163**; D27/165; D19/10

(58) **Field of Classification Search**
USPC D27/101, 162, 163-169, 171; D24/110,
D24/113; D23/360; 131/329; D19/9, 10
CPC A24F 47/00; A24F 47/002; A24F 47/004;
A24F 47/006; A24F 47/008; F23Q 2/28
See application file for complete search history.

(56) **References Cited**

U.S. PATENT DOCUMENTS

D296,017 S *	5/1988	Thoby	D27/142
D339,350 S *	9/1993	Khoo	D14/191
D436,991 S *	1/2001	Morgante	D19/10
D444,465 S *	7/2001	Do	D14/341
D503,467 S *	3/2005	Flashinski	D23/366
D604,359 S *	11/2009	Santos	D19/9
D654,160 S *	2/2012	Yomtov	D23/360
D674,014 S *	1/2013	Khan	D19/9
D677,774 S *	3/2013	Postma	D23/360
D708,727 S *	7/2014	Postma	D23/360

D729,444 S *	5/2015	Leidel	D27/163
D734,445 S *	7/2015	Huang	D23/364
2010/0140371 A1 *	6/2010	Zuo	A61L 9/03 239/34
2010/0313901 A1 *	12/2010	Fernando	A24F 47/008 131/330

OTHER PUBLICATIONS

ezvapes.com, Aug. 15, 2013, "Credit Card Pipe", http://ezvaporizers.com/smoke-pipes/credit-card-pipe/prod_777.html.*

* cited by examiner

Primary Examiner — Susan Bennett Hattan

Assistant Examiner — Janice Hallmark

(74) *Attorney, Agent, or Firm* — Wiggin and Dana LLP;
Joseph Casino; Jonathan D. Hall

(57) **CLAIM**

The ornamental design for a vaporizer, as shown.

DESCRIPTION

FIG. 1 is a perspective view of an embodiment showing my new design;

FIG. 2 is another perspective view thereof;

FIG. 3 is a top plan view thereof;

FIG. 4 is a bottom plan view thereof;

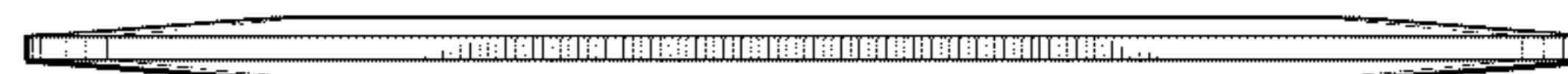
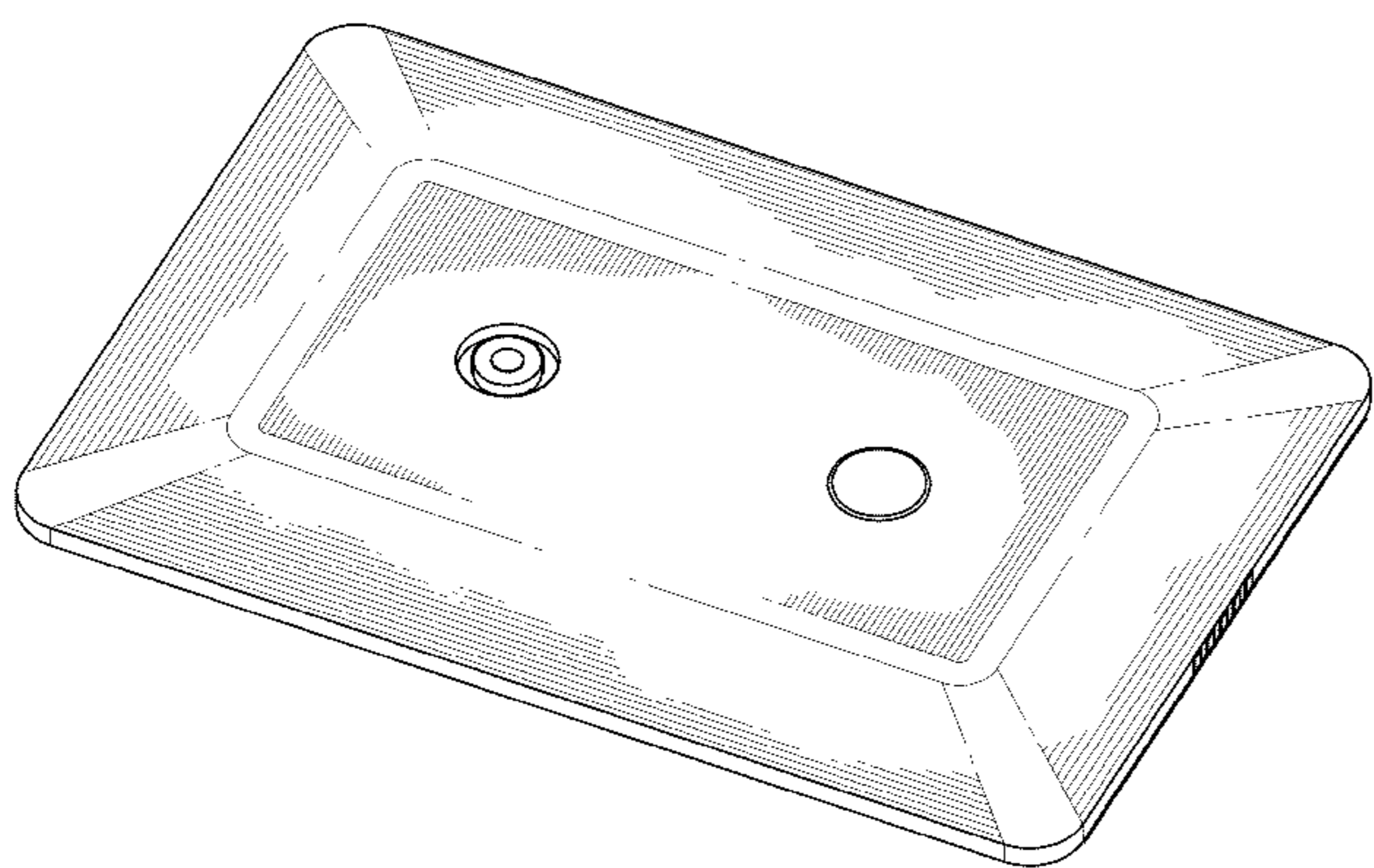
FIG. 5 is a first side plan thereof;

FIG. 6 is a second side plan view thereof;

FIG. 7 is a third side plan view thereof; and,

FIG. 8 is a fourth side plan view thereof.

1 Claim, 6 Drawing Sheets



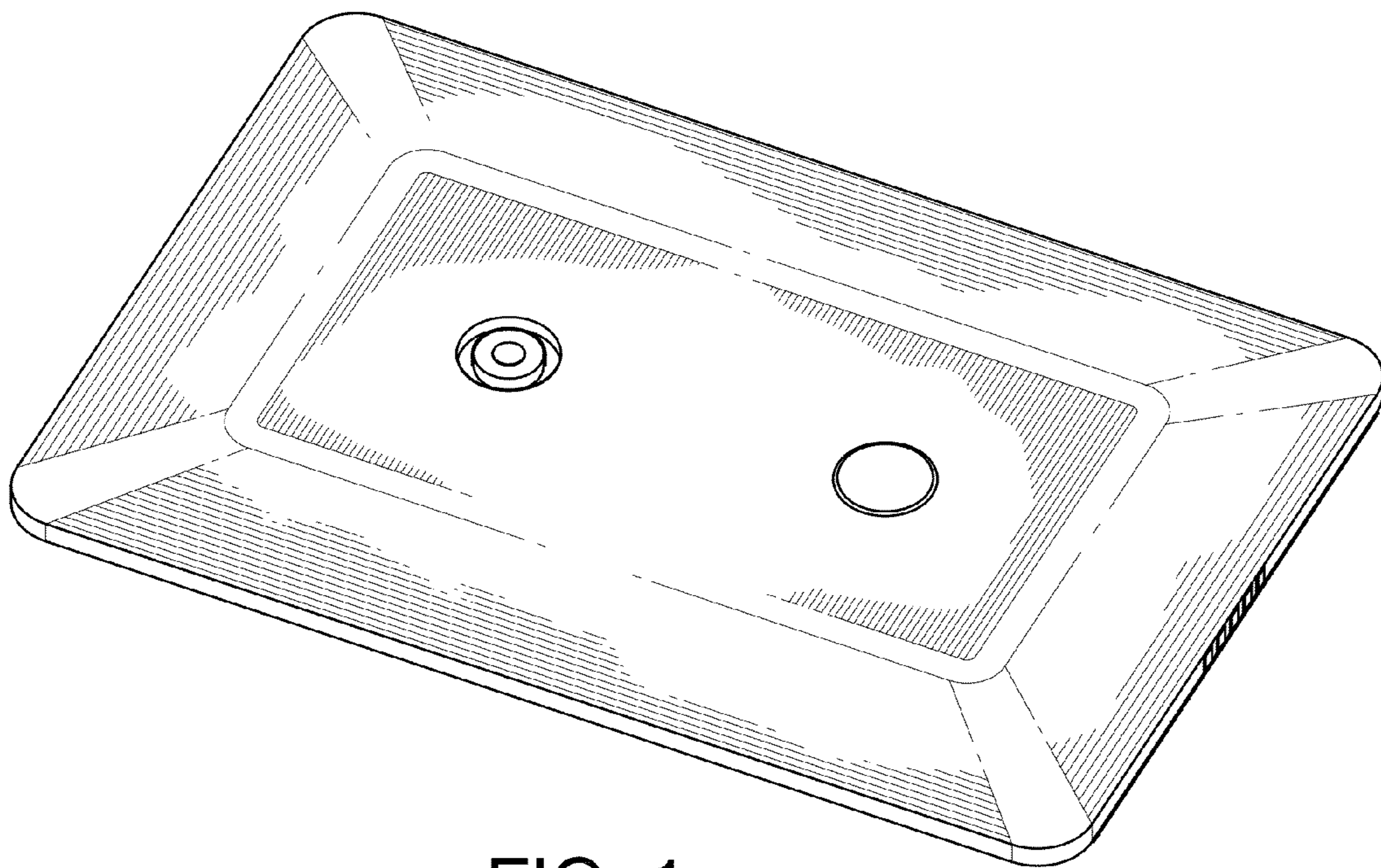


FIG. 1

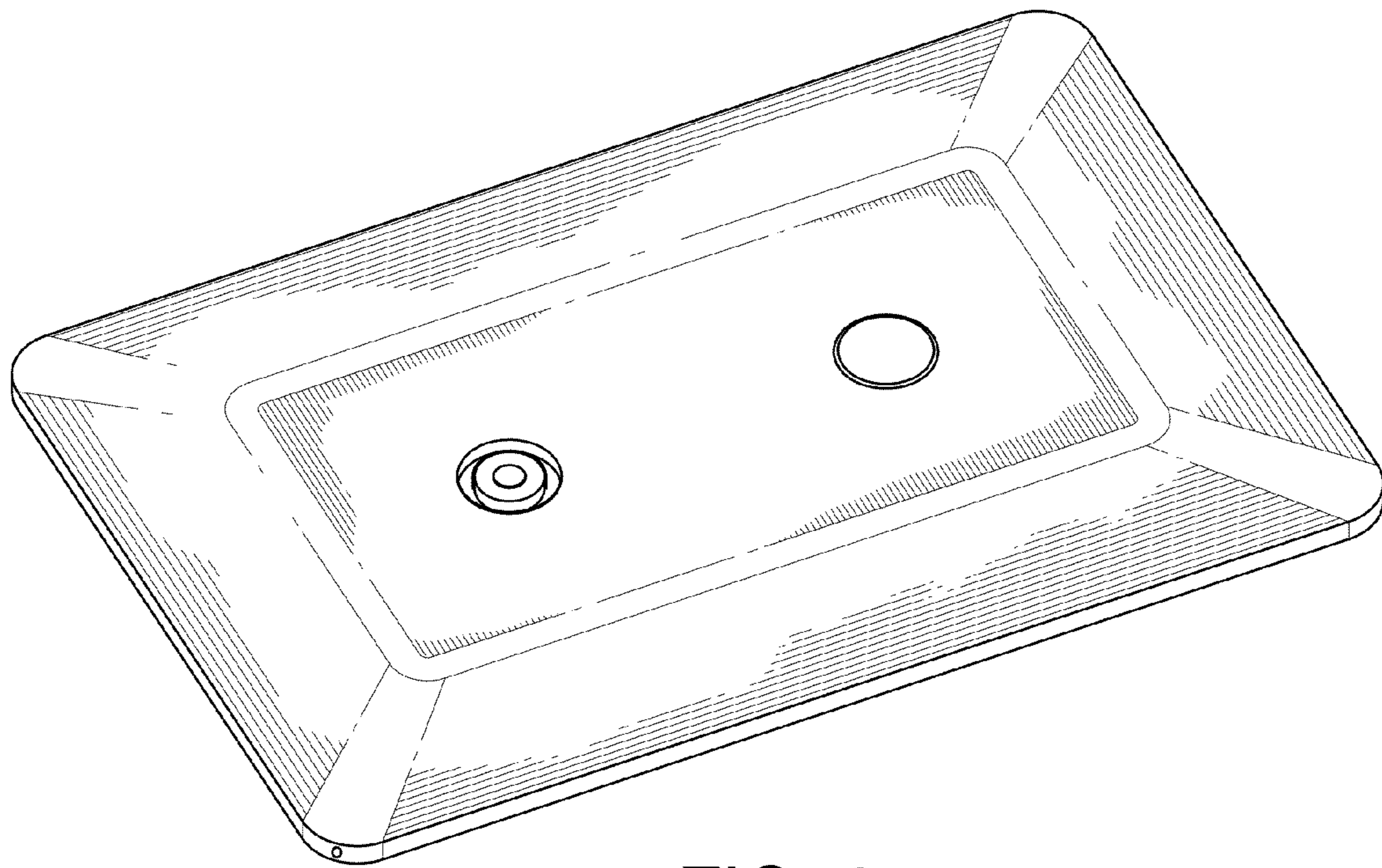


FIG. 2

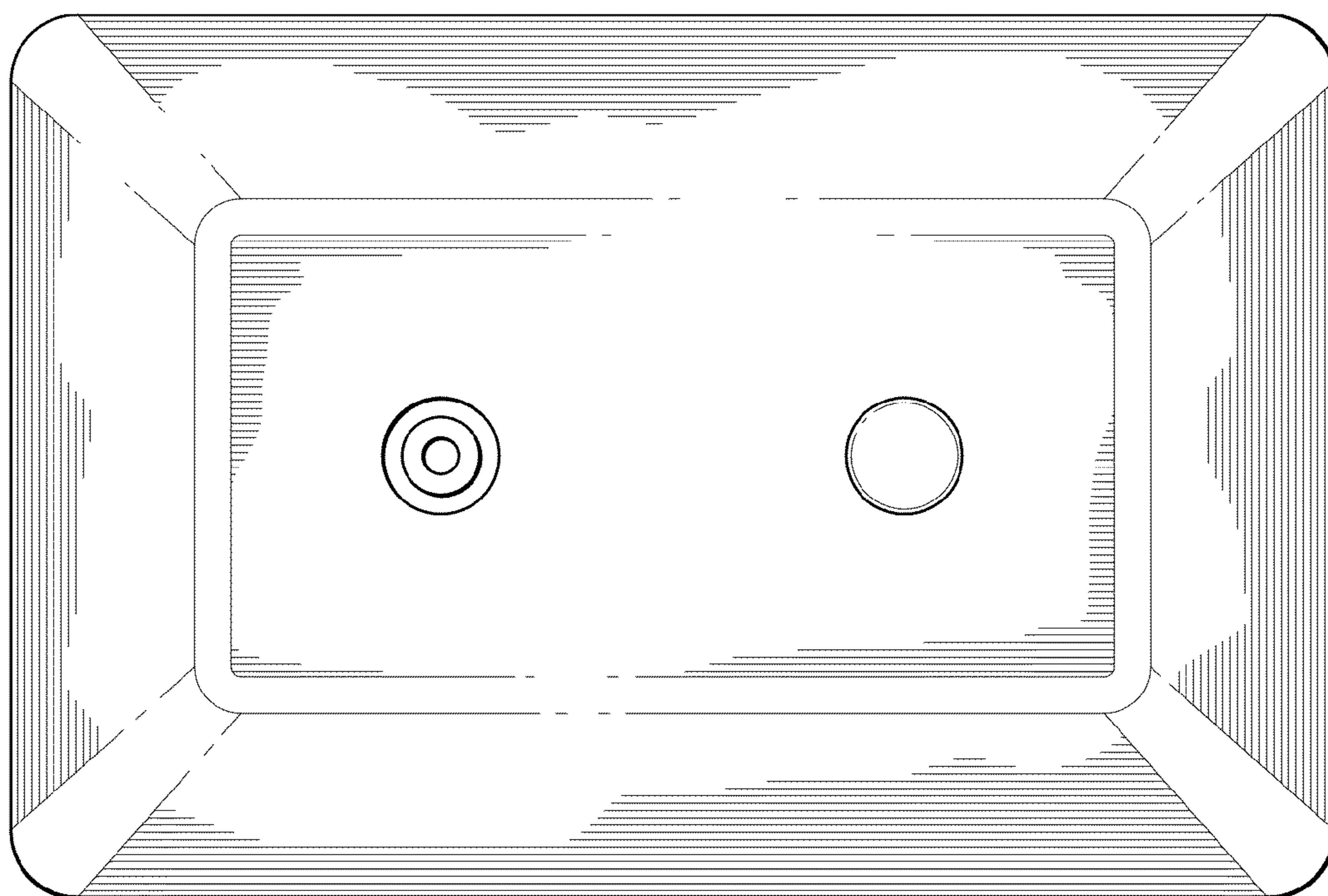


FIG. 3

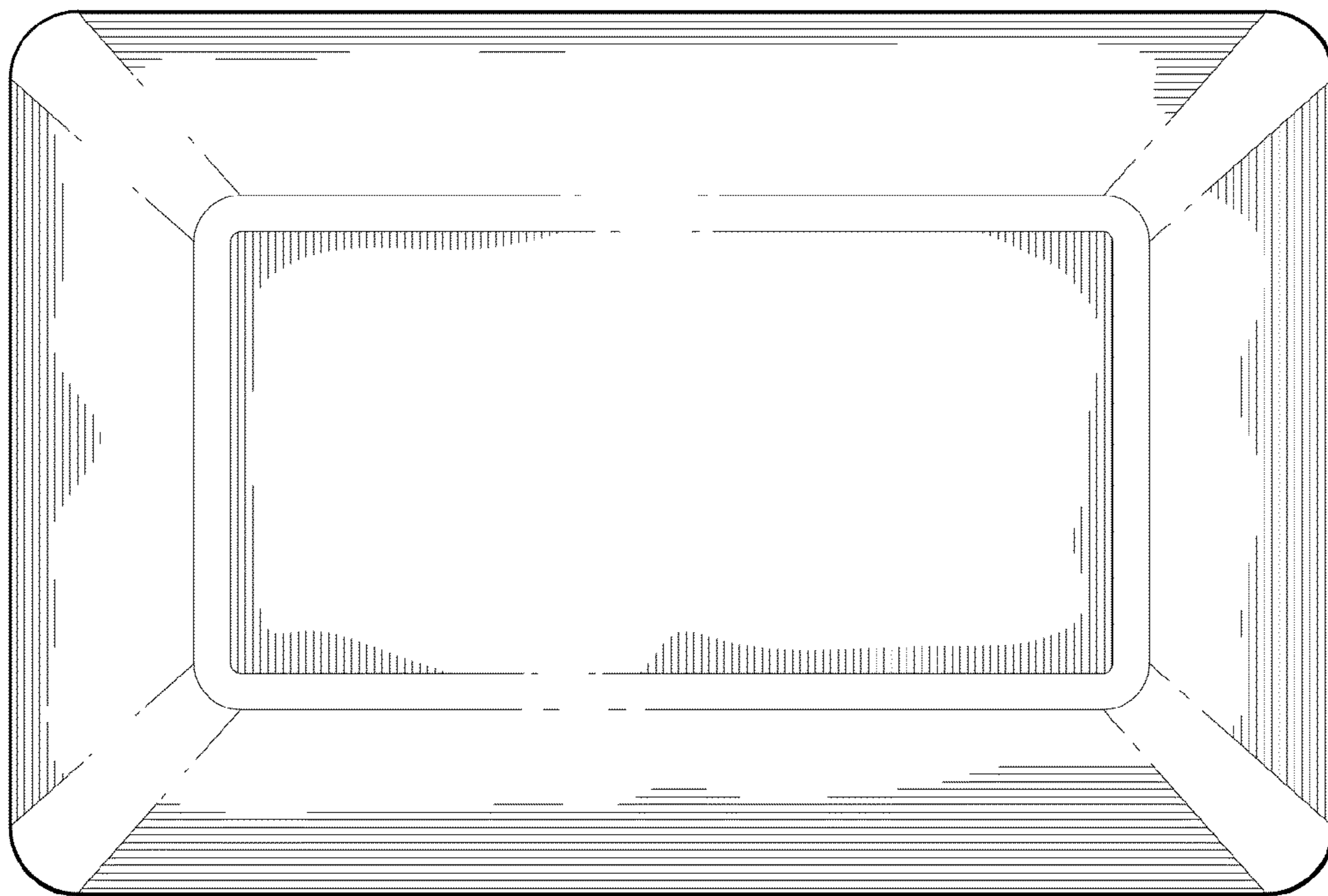


FIG. 4

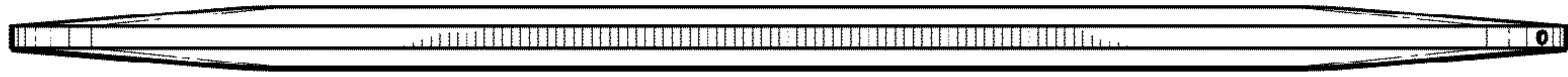


FIG. 5



FIG. 6

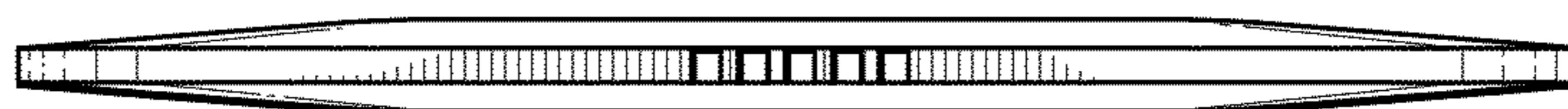


FIG. 7

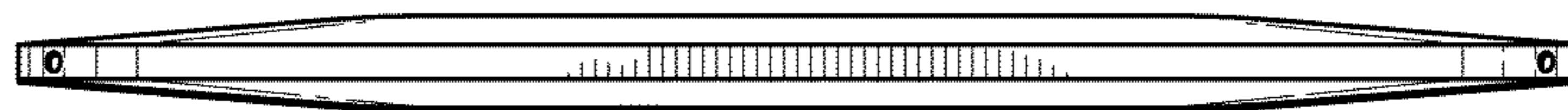


FIG. 8