



US00D759299S

(12) **United States Design Patent**
Almsberger et al.

(10) **Patent No.:** **US D759,299 S**
(45) **Date of Patent:** **** Jun. 14, 2016**

- (54) **LIGHTER**
- (71) Applicant: **Xikar, Inc.**, Kansas City, MO (US)
- (72) Inventors: **Scott Almsberger**, Tonganoxie, KS (US); **Kurt Van Keppel**, Leawood, KS (US); **Robert Lembke**, Overland Park, KS (US); **Tim Webster**, Leawood, KS (US)
- (73) Assignee: **XIKAR, INC.**, Kansas City, MO (US)
- (**) Term: **14 Years**
- (21) Appl. No.: **29/517,906**
- (22) Filed: **Feb. 18, 2015**
- (51) **LOC (10) Cl.** **27-05**
- (52) **U.S. Cl.**
USPC **D27/154**; D27/160
- (58) **Field of Classification Search**
USPC D27/100, 139, 141–143, 146–148, D27/150–161, 172, 186–187, 189–191, D27/194; 431/153
CPC F23D 11/36; F23Q 2/00; F23Q 2/02; F23Q 2/14
See application file for complete search history.

- D231,708 S * 5/1974 Kenney D27/160
- D244,619 S 6/1977 Neyret
- D260,943 S 9/1981 Stutzer et al.
- D272,660 S * 2/1984 Torreblanca Cervantes D27/143
- D351,043 S 9/1994 Parker et al.
- D363,808 S 10/1995 Compte
- 5,462,432 A 10/1995 Kim
- D412,763 S * 8/1999 Zhuo D27/141
- 5,971,751 A 10/1999 Lee
- 6,186,772 B1 2/2001 Huang
- D440,008 S 4/2001 Xu

(Continued)

OTHER PUBLICATIONS

XIKAR Fall 2012 catalog, front and back cover, p. 7-15, 34; published in the USA by XIKAR, INC.

(Continued)

Primary Examiner — Susan Bennett Hattan
Assistant Examiner — Janice Hallmark
(74) *Attorney, Agent, or Firm* — Erickson Kernell Derusseau & Kleypas, LLC

(57) **CLAIM**
The ornamental design for a lighter, as shown and described.

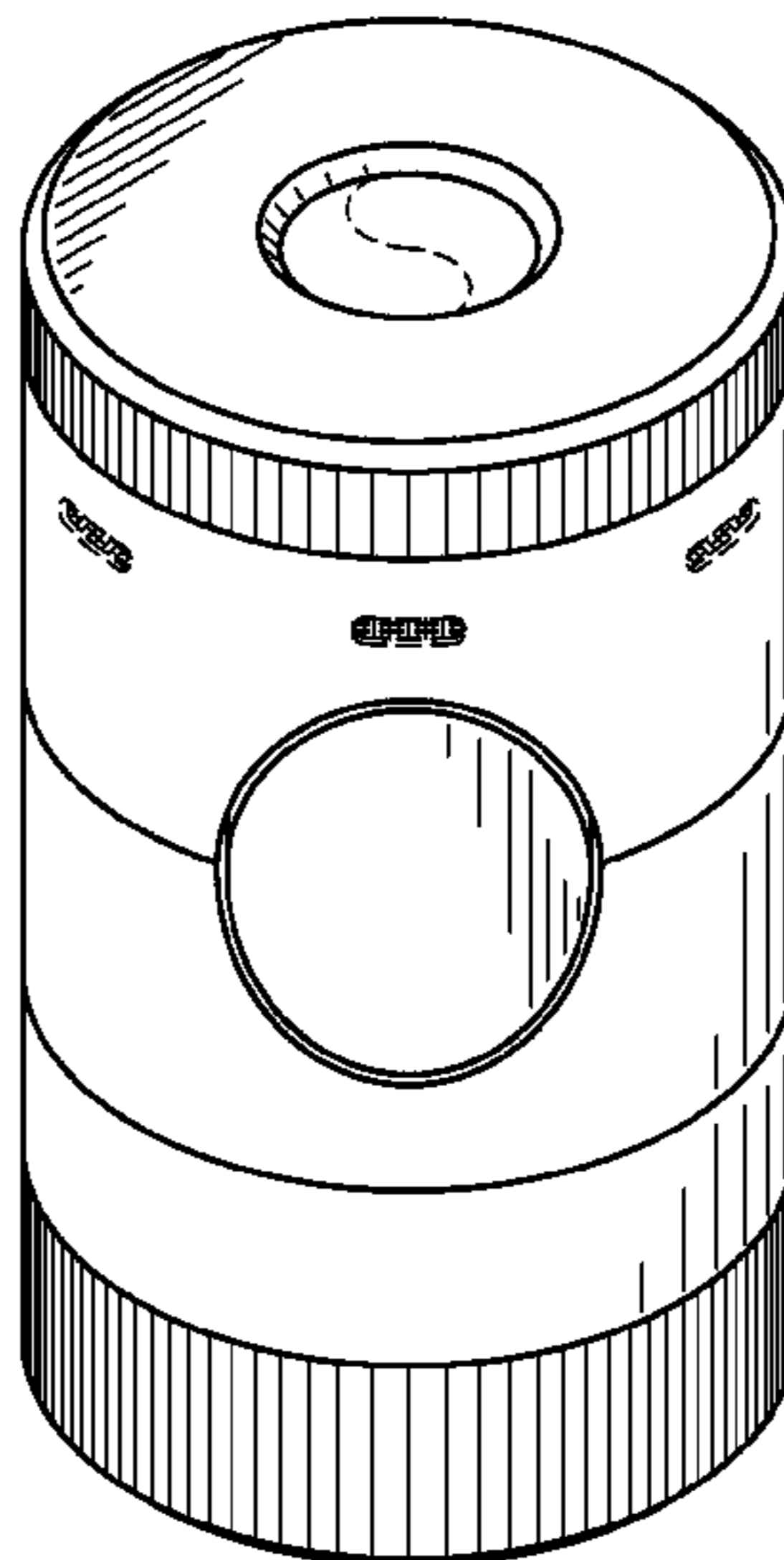
DESCRIPTION

FIG. 1 is a perspective view of the lighter in accordance with the present invention;
FIG. 2 is a top plan view of the lighter shown in FIG. 1;
FIG. 3 is a front elevation view of the lighter shown in FIG. 1;
FIG. 4 is a side elevation view of the lighter shown in FIG. 1, the other side being a mirror image thereof; and,
FIG. 5 is a rear elevation view of the lighter shown in FIG. 1.
The bottom of the lighter is not visible during normal use and, accordingly, is not shown and forms no part of the claimed design. The utilitarian features shown in broken line form no part of the claimed design.

1 Claim, 2 Drawing Sheets

(56) **References Cited**
U.S. PATENT DOCUMENTS

- D99,786 S 5/1936 Gaiter
- D181,637 S 12/1957 Frankel
- D202,121 S 8/1965 Rappoport
- D211,823 S * 7/1968 Rams D27/154
- D223,391 S * 4/1972 Rams D27/154
- D223,392 S * 4/1972 Rams D27/154
- D224,557 S * 8/1972 Rams D27/154
- D225,891 S * 1/1973 Strzeleszyk D27/157
- D229,964 S 1/1974 Yoshinaga
- D231,012 S * 3/1974 Paroty D27/157



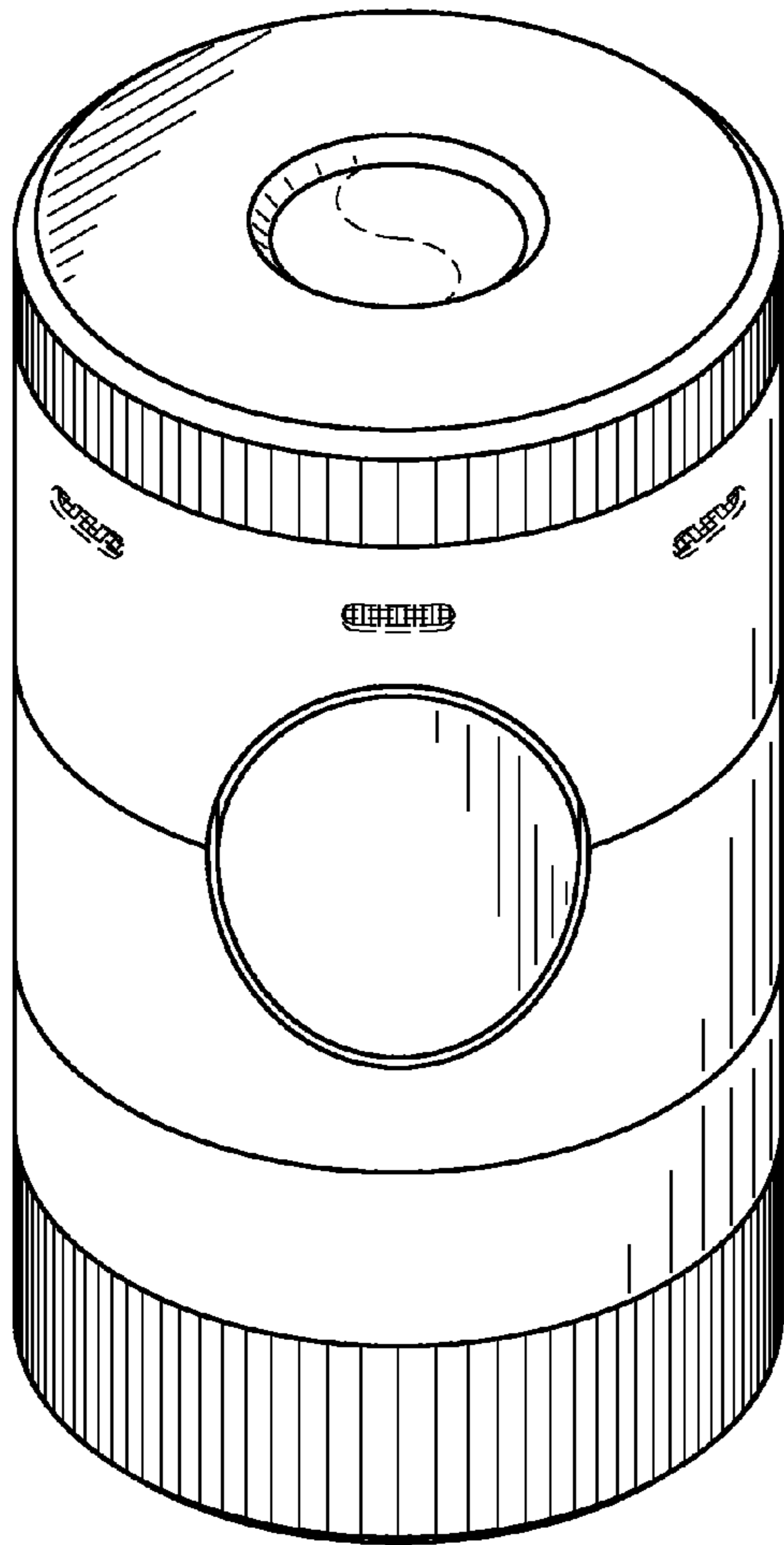


Fig. 1

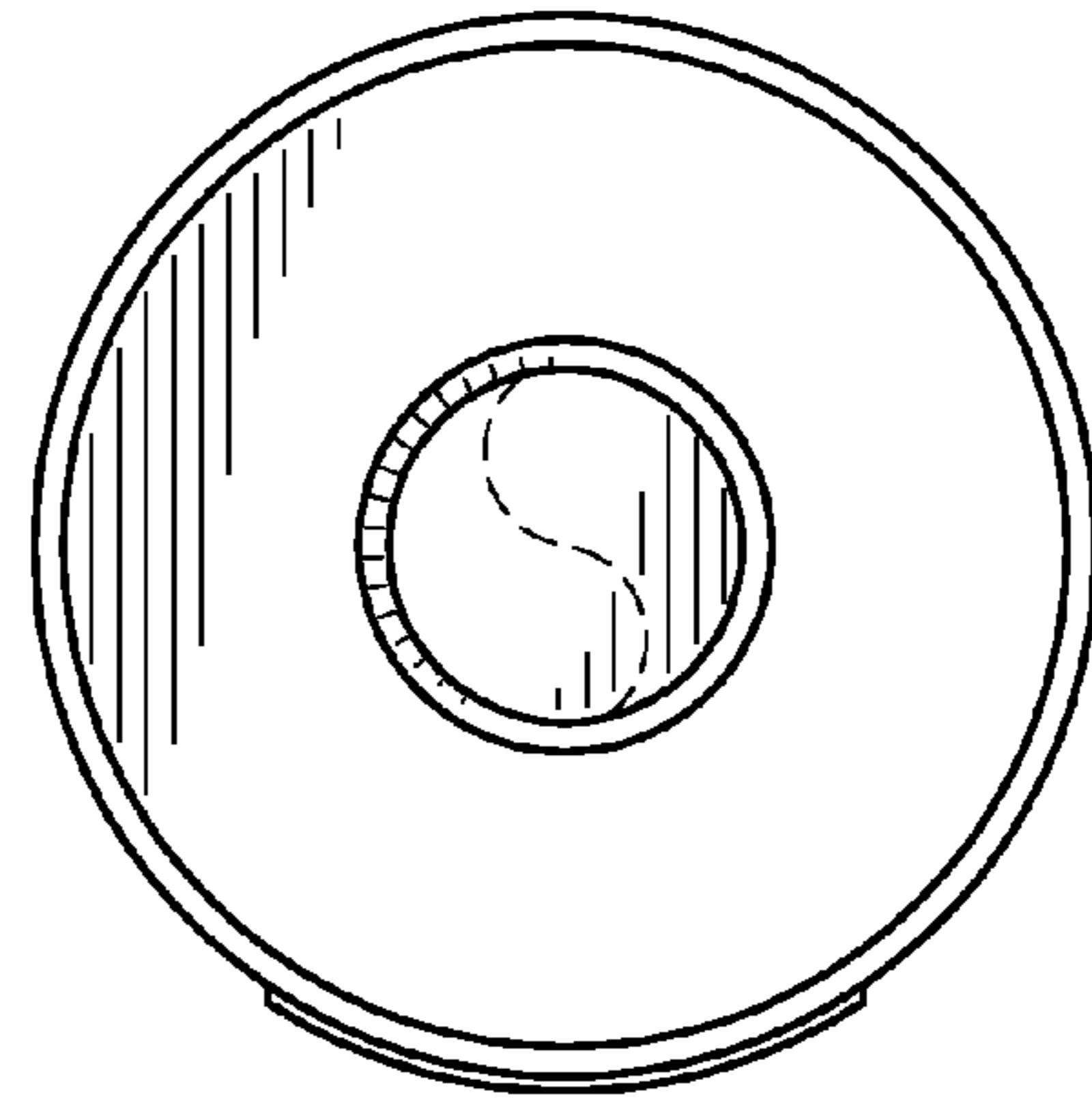


Fig. 2

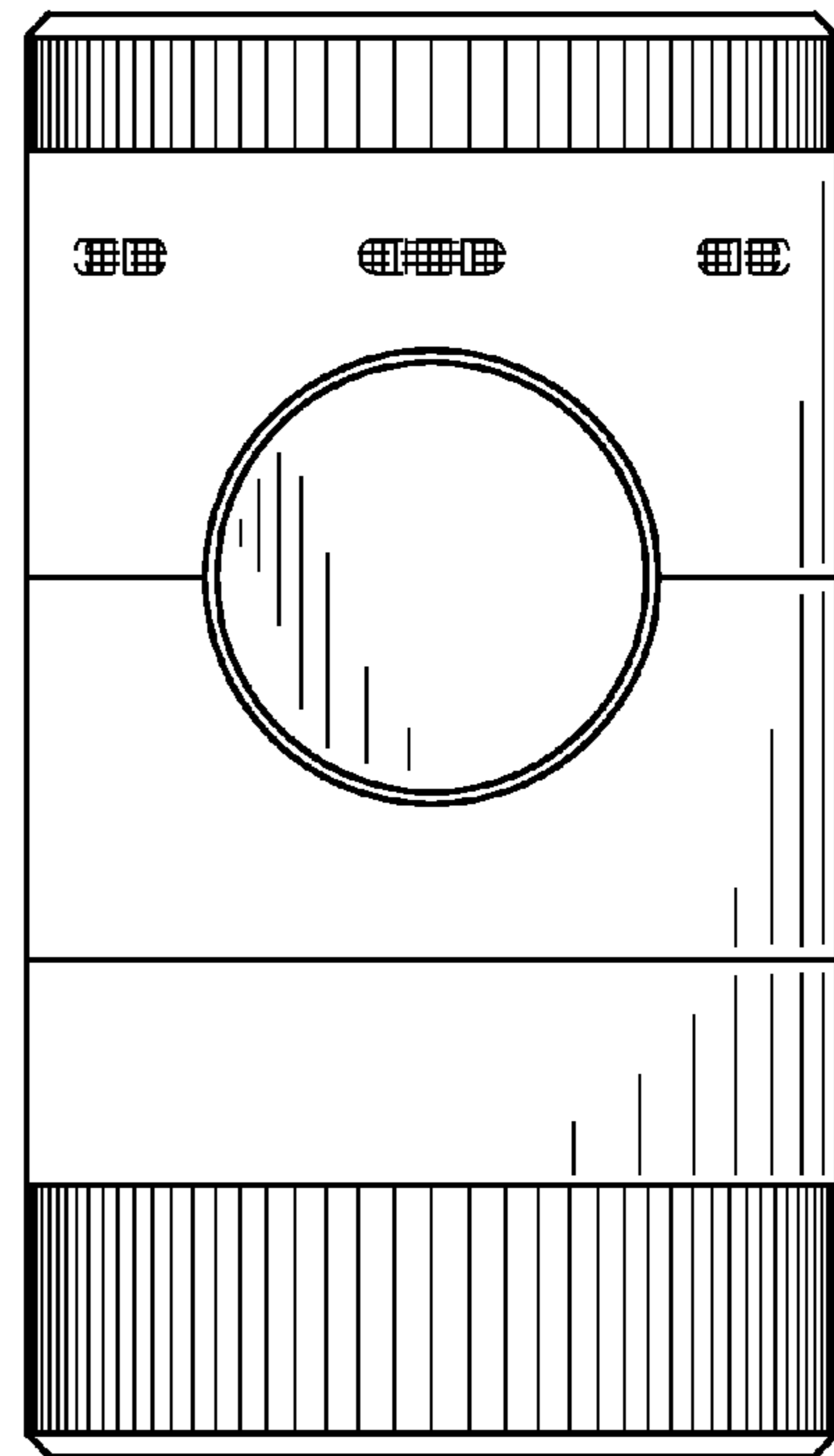


Fig. 3

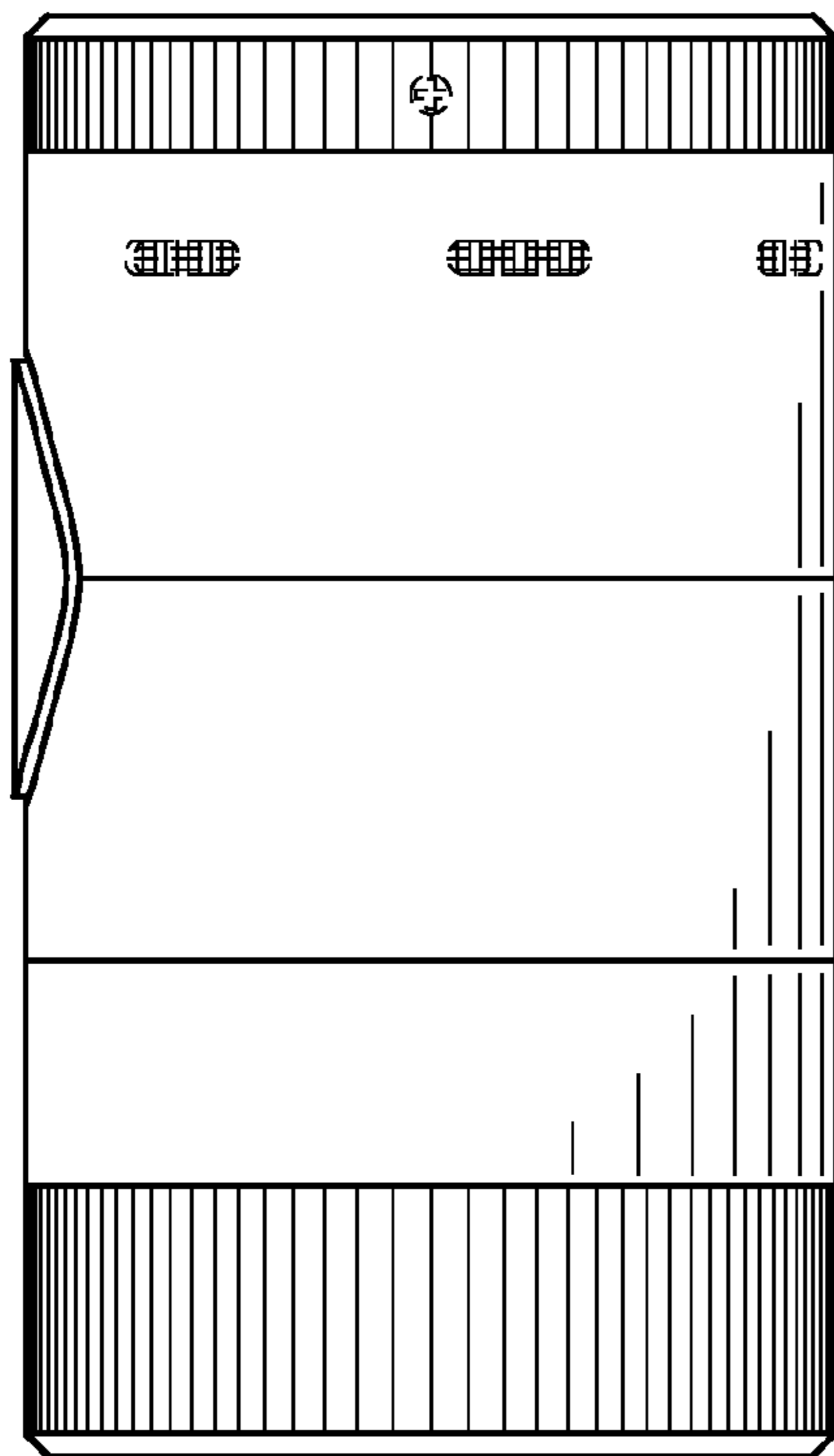


Fig. 4

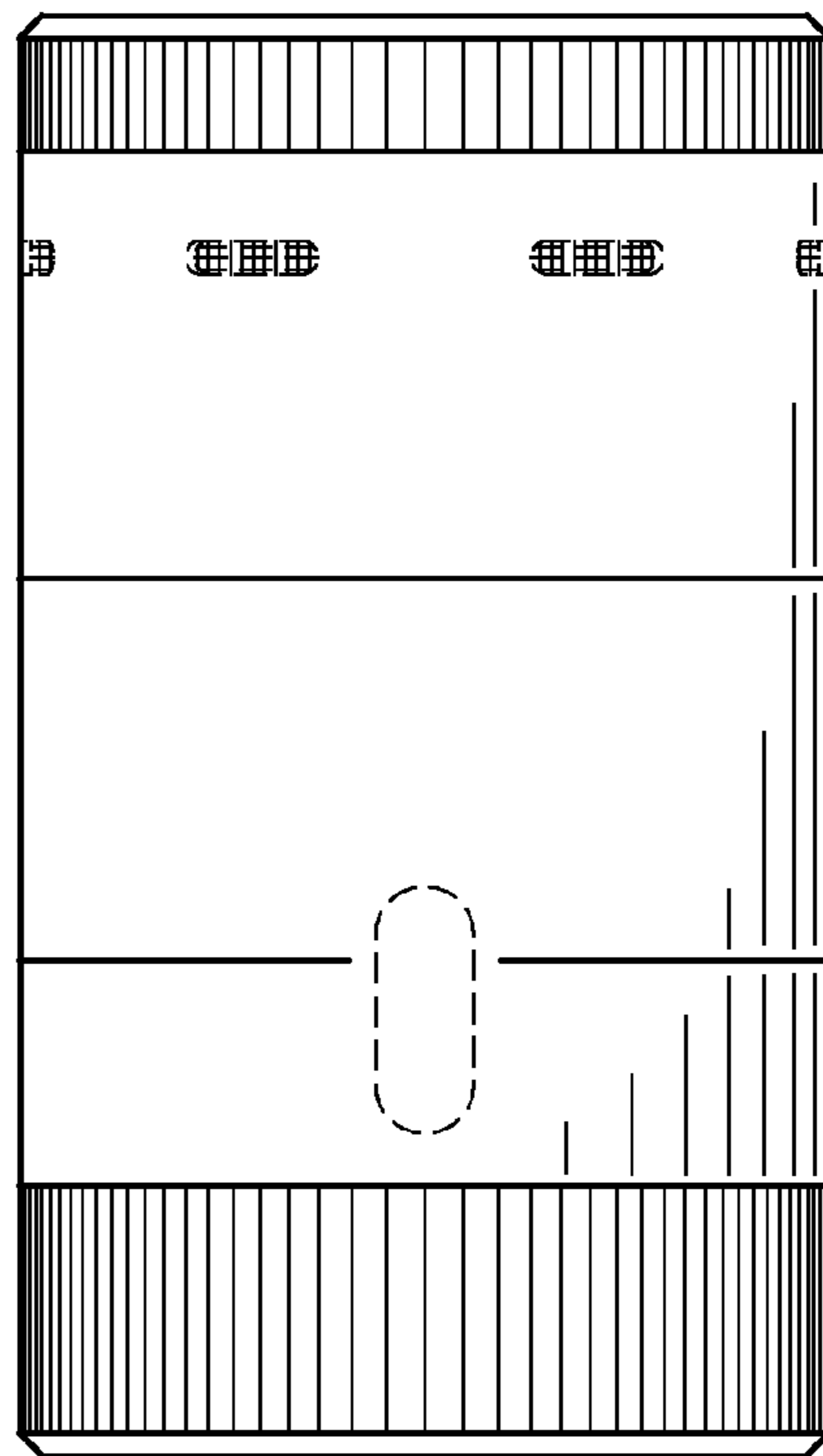


Fig. 5