



US00D759294S

(12) **United States Design Patent**
Kim et al.

(10) **Patent No.:** **US D759,294 S**
(45) **Date of Patent:** **** Jun. 14, 2016**

(54) **BEZEL FOR A VEHICLE LAMP**

(71) Applicant: **HYUNDAI MOBIS CO., LTD.**, Seoul (KR)

(72) Inventors: **Jin A Kim**, Yongin-si (KR); **Tae Kyoung Jin**, Yongin-si (KR)

(73) Assignee: **HYUNDAI MOBIS CO., LTD.**, Seoul (KR)

(**) Term: **14 Years**

(21) Appl. No.: **29/510,473**

(22) Filed: **Nov. 28, 2014**

(30) **Foreign Application Priority Data**

Oct. 22, 2014 (KR) 30-2014-0050598

(51) **LOC (10) Cl.** **26-99**

(52) **U.S. Cl.**
USPC **D26/139**

(58) **Field of Classification Search**
USPC D26/28-36; 362/459-468, 475-478, 362/485-487
CPC F21S 48/00; F21S 48/10; F21S 48/115; F21S 48/225; F21S 48/1233; F21S 48/1266; F21S 48/1388; F21S 48/2268; F21V 21/04
See application file for complete search history.

(56) **References Cited**

U.S. PATENT DOCUMENTS

D355,039 S *	1/1995	Winick	D26/139
D440,694 S *	4/2001	Jeffries	D26/139
D494,706 S *	8/2004	Tsai	D26/139
D571,500 S *	6/2008	Lin	D26/139

* cited by examiner

Primary Examiner — Marcus Jackson

(74) *Attorney, Agent, or Firm* — NSIP Law

(57) **CLAIM**

We claim the ornamental design for a bezel for a vehicle lamp, as shown and described.

DESCRIPTION

FIG. 1 is a front perspective view of a bezel for a vehicle lamp showing my new design;

FIG. 2 is a front view thereof;

FIG. 3 is a rear view thereof;

FIG. 4 is a left-side view thereof;

FIG. 5 is a right-side view thereof;

FIG. 6 is a top view thereof;

FIG. 7 is a bottom view thereof; and,

FIG. 8 is another front perspective view in which the bezel for a vehicle lamp is shown in an example environment.

The broken lines shown in FIG. 8 are for environmental purposes only and form no part of the claimed design.

1 Claim, 8 Drawing Sheets

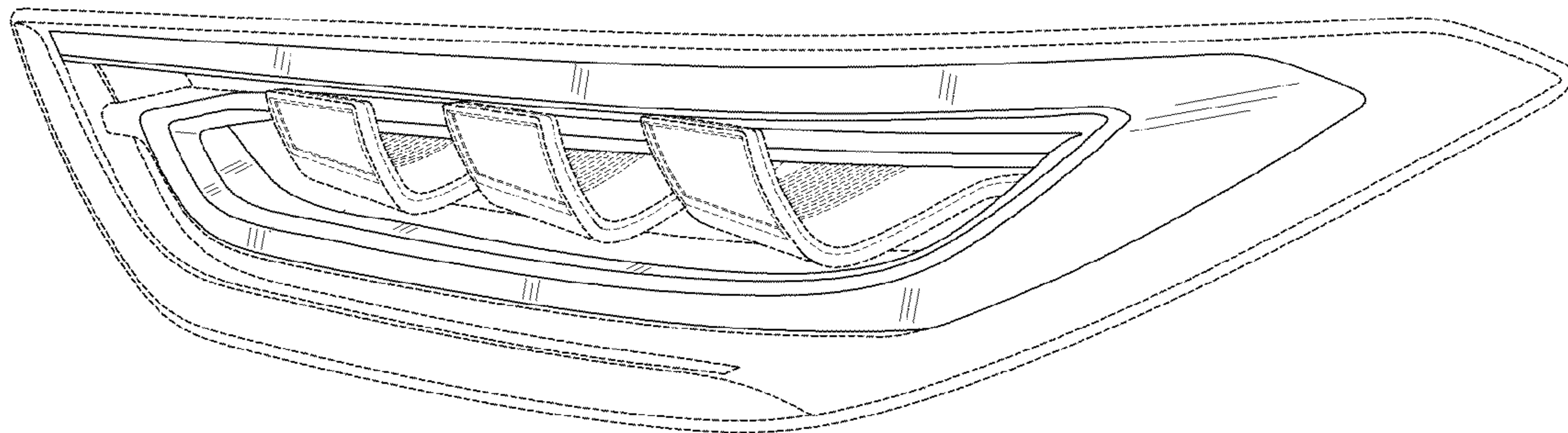


FIG. 1

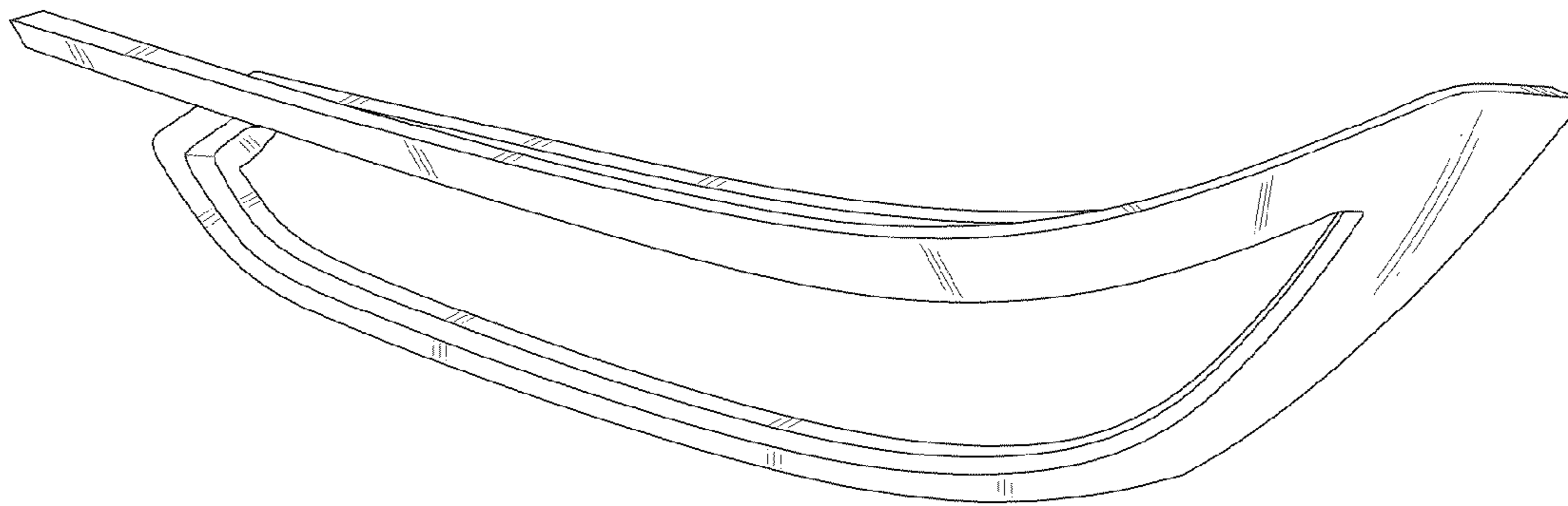


FIG. 2

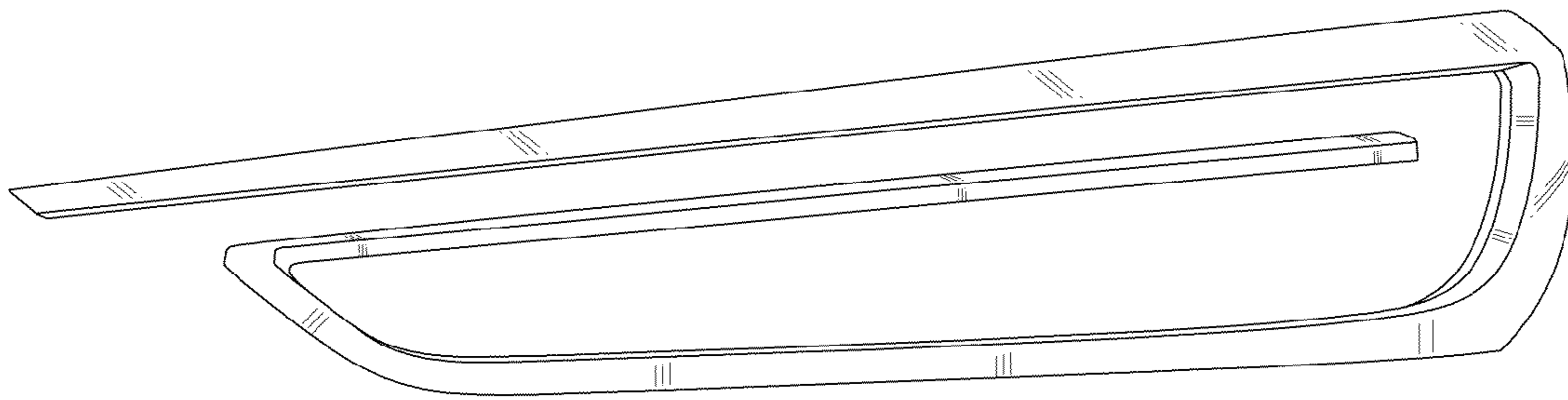


FIG. 3

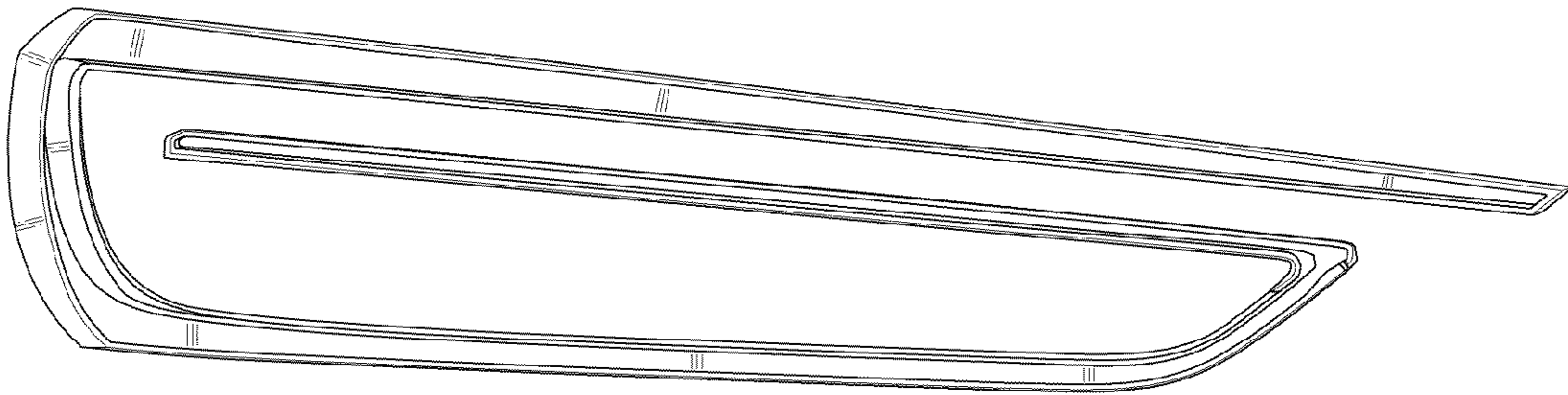


FIG. 4

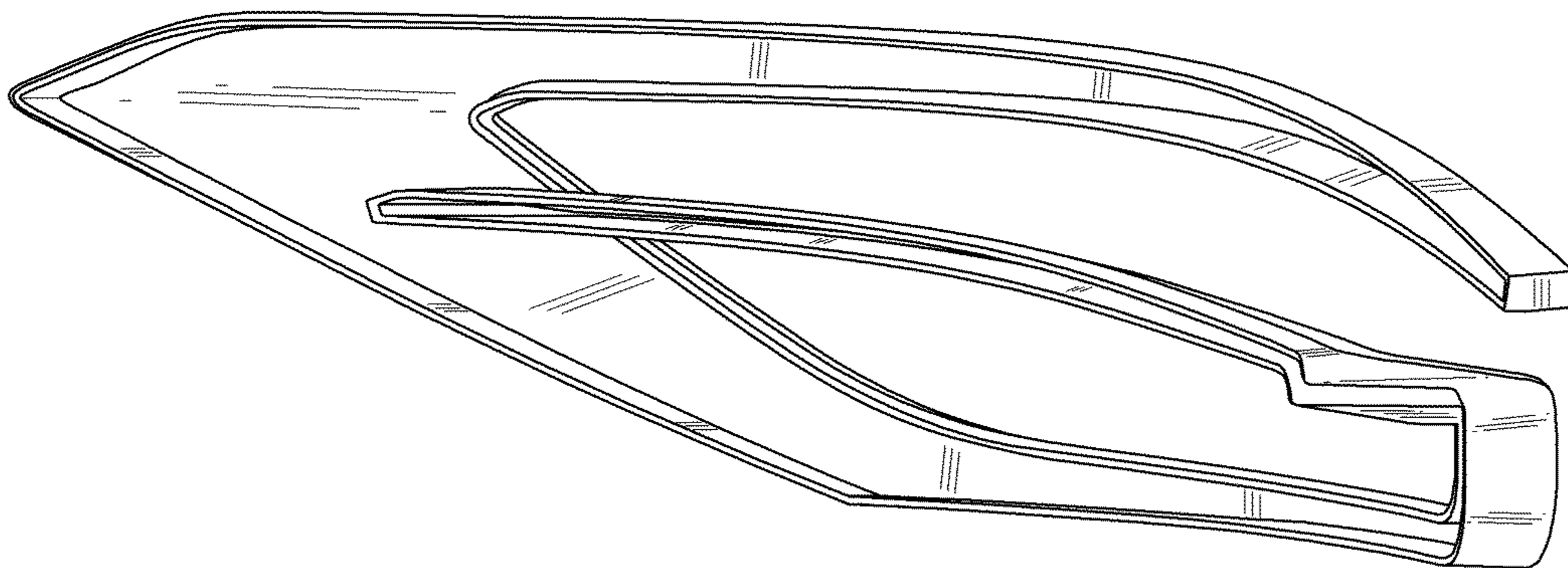


FIG. 5

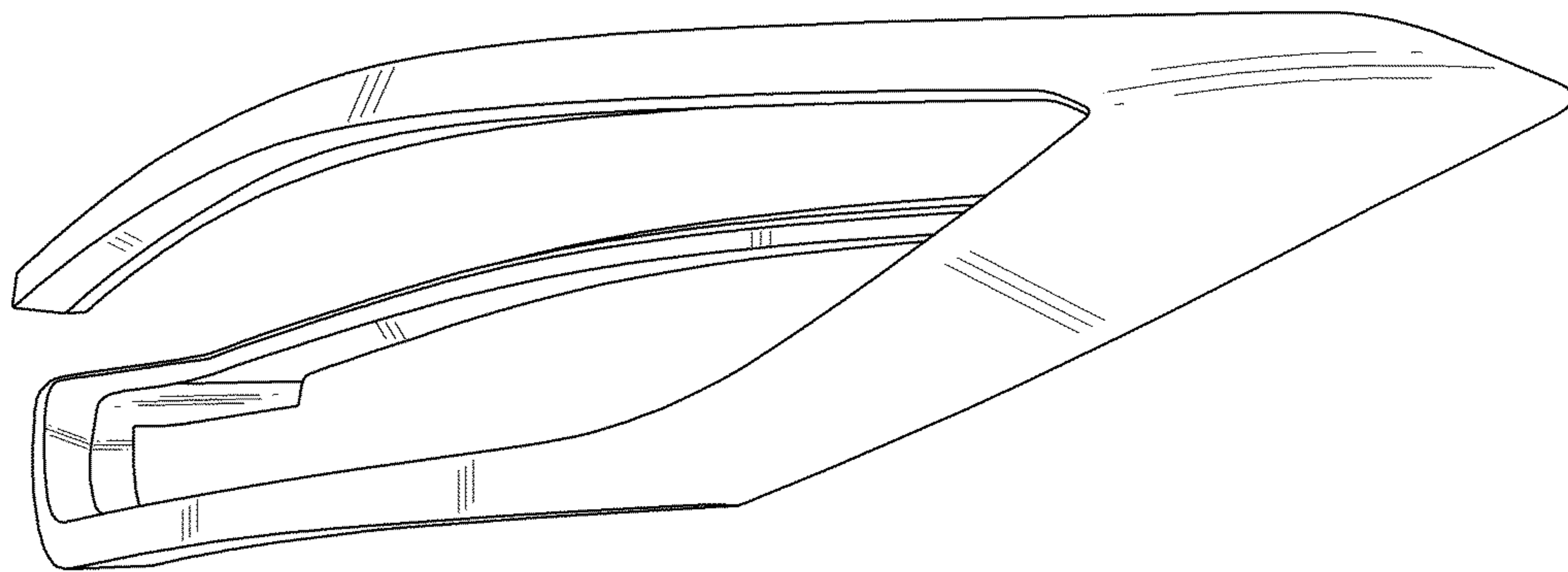


FIG. 6

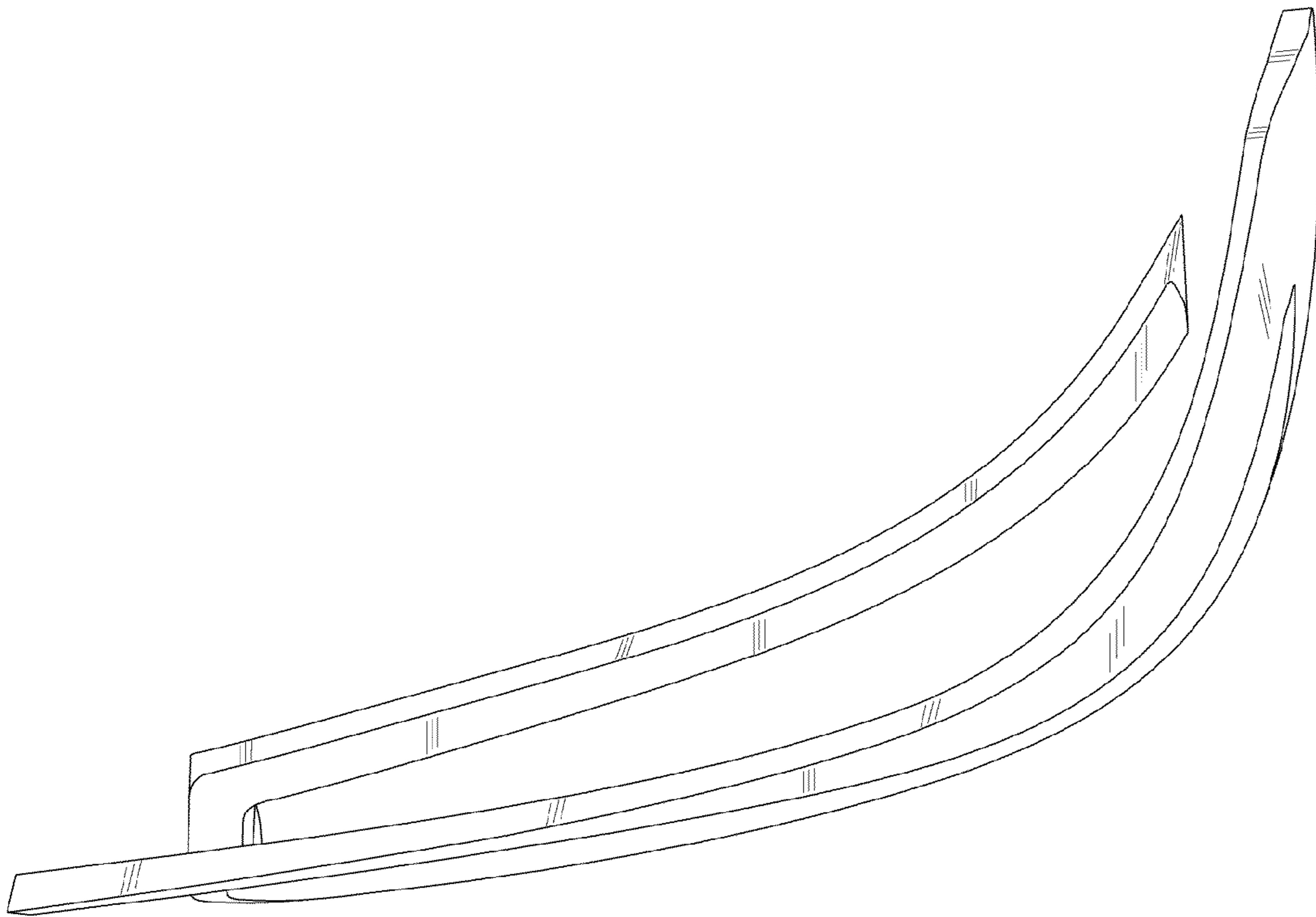


FIG. 7

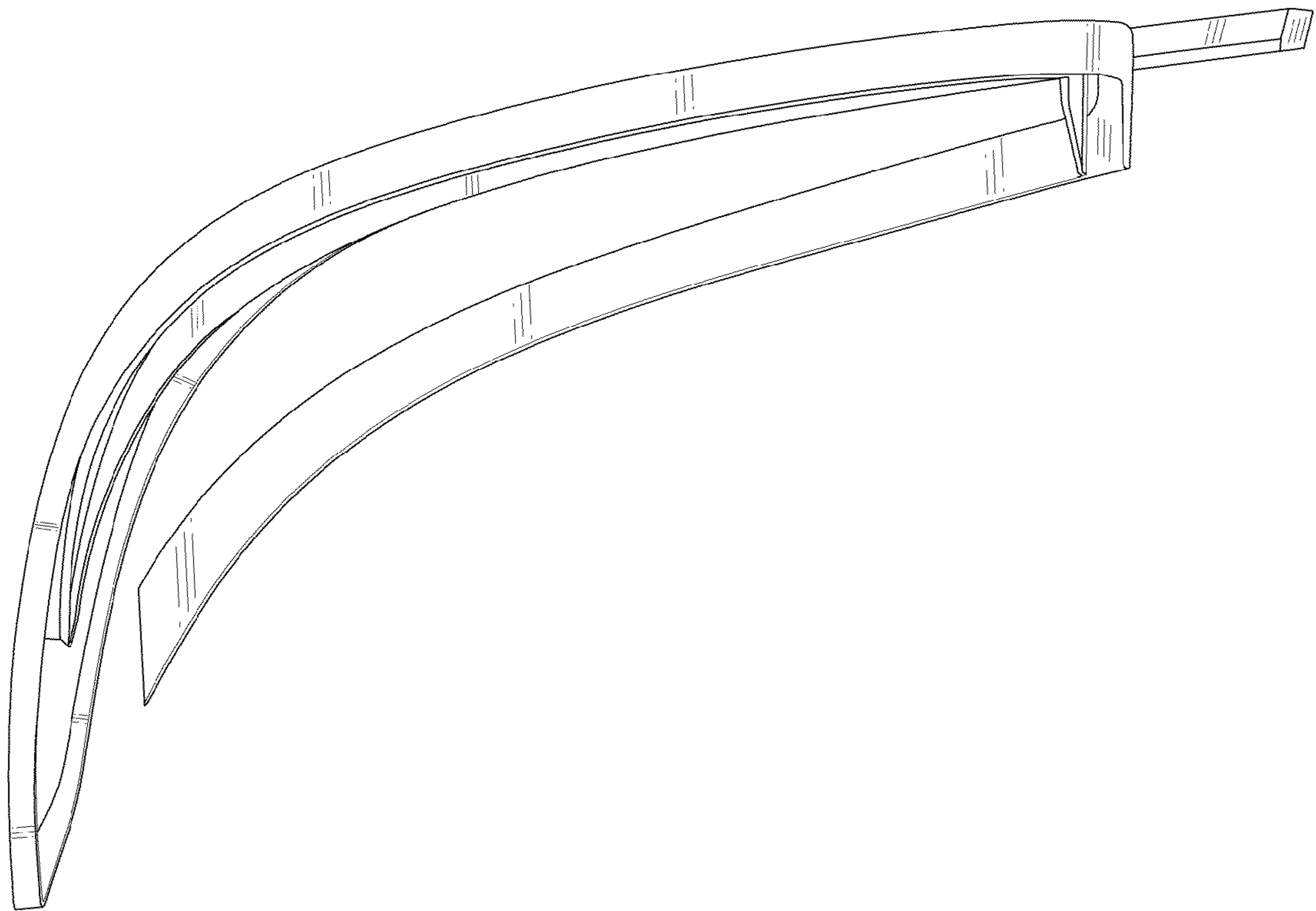


FIG. 8

