



US00D759293S

(12) **United States Design Patent**
Salomon

(10) **Patent No.:** **US D759,293 S**
(45) **Date of Patent:** **** Jun. 14, 2016**

- (54) **LIGHTING FIXTURE TRIM**
- (71) Applicant: **SPECIALITY LIGHTING INDUSTRIES, INC.**, Ocean, NJ (US)
- (72) Inventor: **Benjamin Salomon**, Elberon, NJ (US)
- (73) Assignee: **Specialty Lighting Industries**, Ocean, NJ (US)
- (**) Term: **14 Years**
- (21) Appl. No.: **29/494,018**
- (22) Filed: **Jun. 17, 2014**
- (51) **LOC (10) Cl.** **26-99**
- (52) **U.S. Cl.**
USPC **D26/138**
- (58) **Field of Classification Search**
USPC D26/24, 39, 59, 67, 68, 69, 70, 71, 72,
D26/74, 77, 80, 88, 89, 138, 139, 140, 141,
D26/142, 151, 152
See application file for complete search history.

D451,555 S *	12/2001	Smith	D20/42
D567,989 S *	4/2008	Goetz-Schaefer	D26/89
D581,086 S *	11/2008	Starck	D26/78
D592,347 S *	5/2009	Trott	D26/118
D628,335 S *	11/2010	Hyland	D26/74
D677,817 S *	3/2013	Mayfield, III	D26/74
D679,437 S *	4/2013	Watt	D26/74
D702,868 S *	4/2014	Patel	D26/74
D712,591 S *	9/2014	Sannella	D26/141

* cited by examiner

Primary Examiner — George D Kirschbaum
Assistant Examiner — Natasha Vujcic
(74) *Attorney, Agent, or Firm* — Jeffery J. Brosemer

(57) **CLAIM**

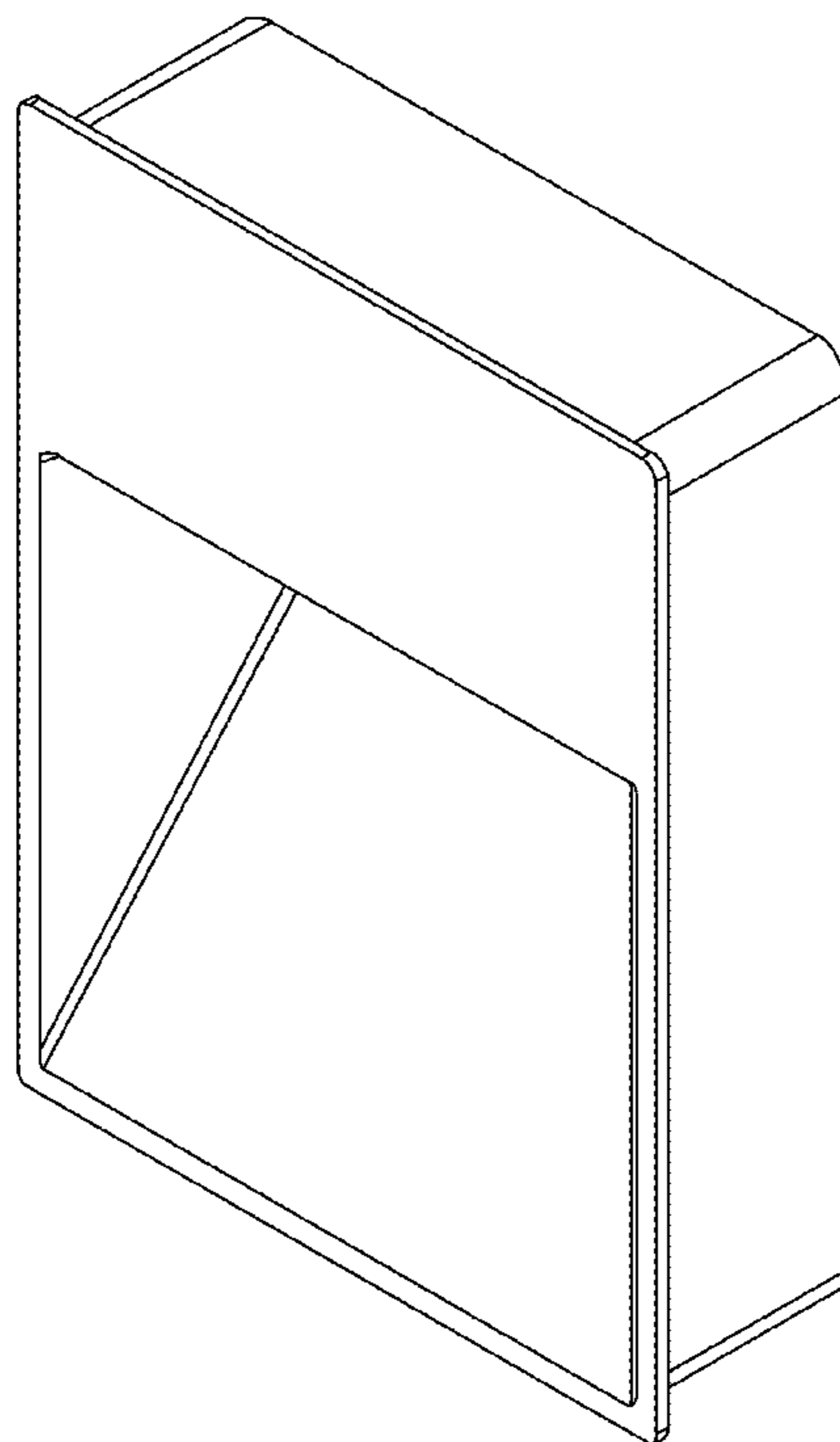
The ornamental design for a lighting fixture trim, as shown and described.

DESCRIPTION

FIG. 1 is a perspective view of a lighting fixture trim showing my new design;
FIG. 2 is a front view thereof;
FIG. 3 is a right side view thereof;
FIG. 4 is a left side view thereof;
FIG. 5 is a top view thereof; and,
FIG. 6 is a bottom view thereof.
The broken lines in the drawings illustrate portions of the lighting fixture trim which forms no part of the claimed design.

1 Claim, 6 Drawing Sheets

- (56) **References Cited**
U.S. PATENT DOCUMENTS
D132,378 S * 5/1942 Nordquist D26/56
D154,892 S * 8/1949 Adrian D26/56
D220,118 S * 3/1971 Tawll et al. D26/67
D266,890 S * 11/1982 Pfanstiehl D6/300
6,179,451 B1 * 1/2001 Bodine E04B 9/001
362/147



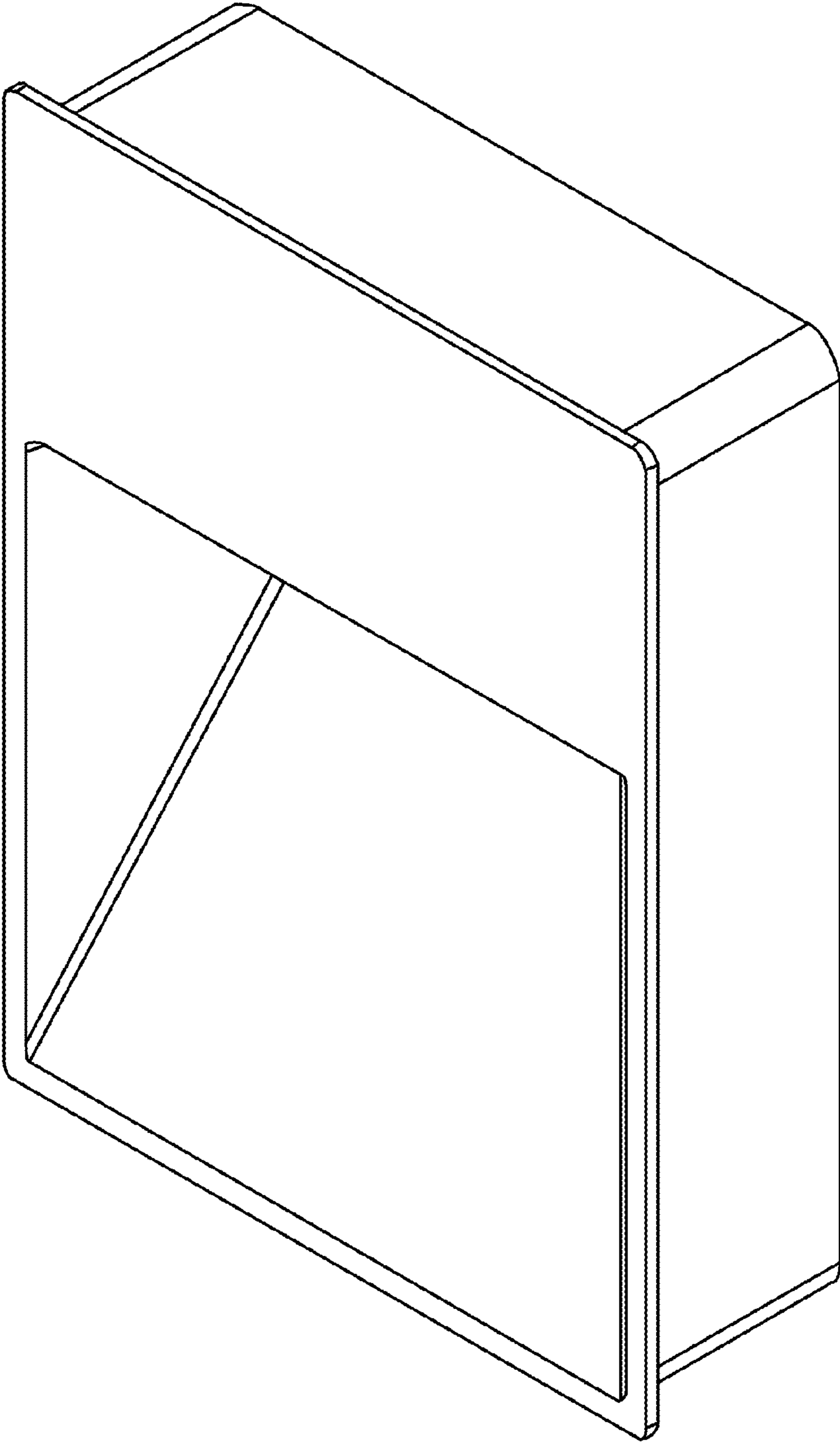


FIGURE 1

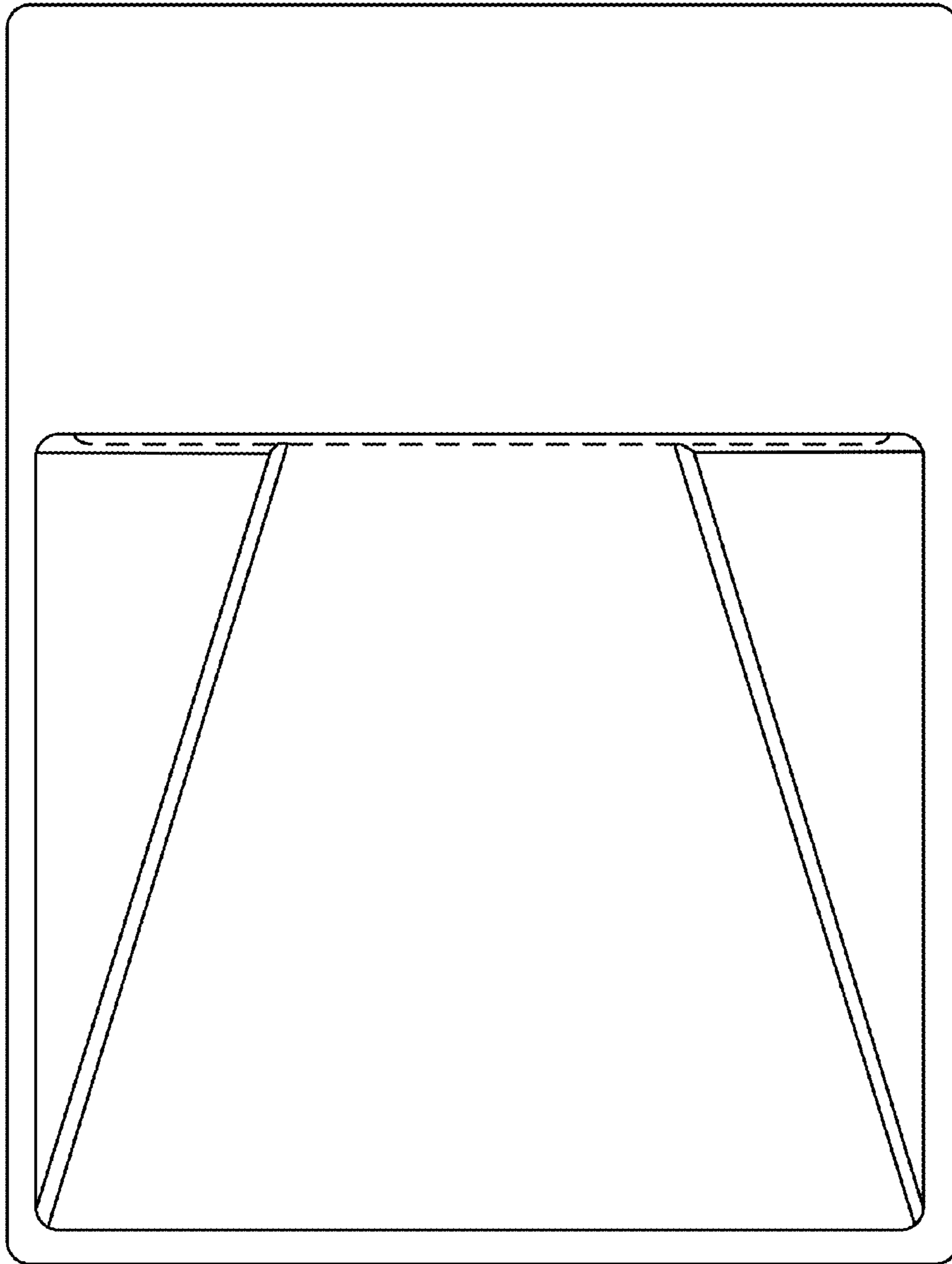


FIGURE 2

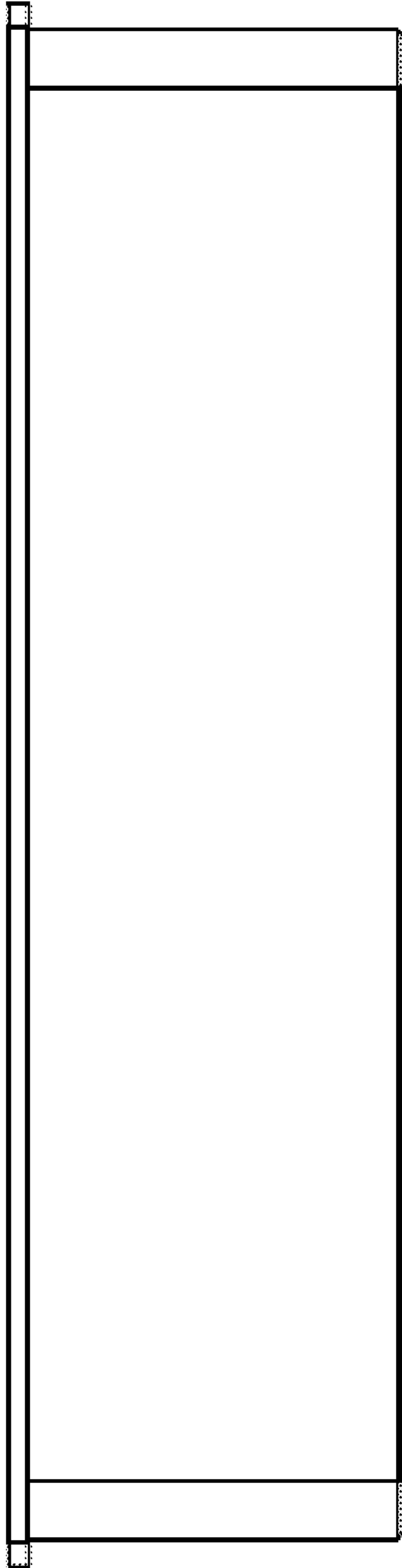


FIGURE 3

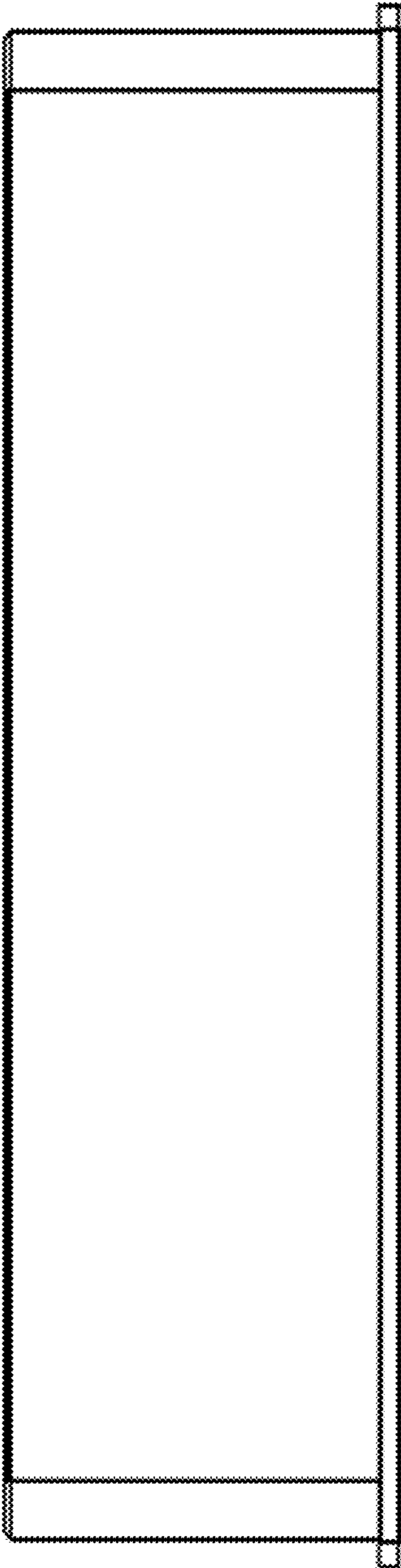


FIGURE 4



FIGURE 5

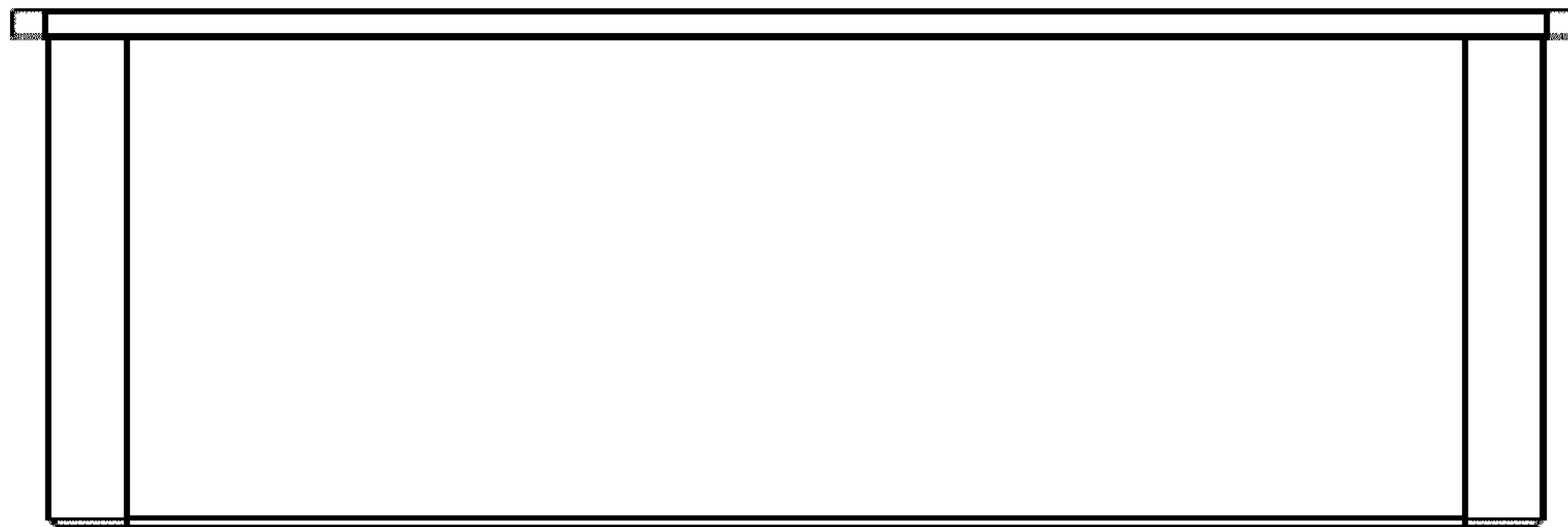


FIGURE 6