



US00D759290S

(12) **United States Design Patent**
Hsu

(10) **Patent No.:** **US D759,290 S**
(45) **Date of Patent:** **** Jun. 14, 2016**

(54) **LAMP**

(71) Applicant: **Ching-Feng Hsu**, New Taipei (TW)

(72) Inventor: **Ching-Feng Hsu**, New Taipei (TW)

(**) Term: **14 Years**

(21) Appl. No.: **29/508,487**

(22) Filed: **Nov. 6, 2014**

(51) **LOC (10) Cl.** **26-03**

(52) **U.S. Cl.**
USPC **D26/107**

(58) **Field of Classification Search**
USPC D26/24, 61, 63, 65, 107, 106, 108
CPC F21V 21/14; F21V 15/01; F21V 14/02;
F21V 21/30; F21V 21/00; F21V 14/00;
F21V 1/00; F21V 21/116; F21V 21/34;
F21S 8/00; F21S 8/003; F21S 8/043; F21S
6/00; F21S 6/002; F21S 8/08; F21Y
2105/001; F21W 2131/30

See application file for complete search history.

(56) **References Cited**

U.S. PATENT DOCUMENTS

D412,594 S * 8/1999 Benghozi D26/107
D480,827 S * 10/2003 Hsieh D26/108
D556,363 S * 11/2007 Komar D26/106

* cited by examiner

Primary Examiner — Brian N Vinson
(74) *Attorney, Agent, or Firm* — WPAT, P.C., Intellectual
Property Attorneys; Anthony King

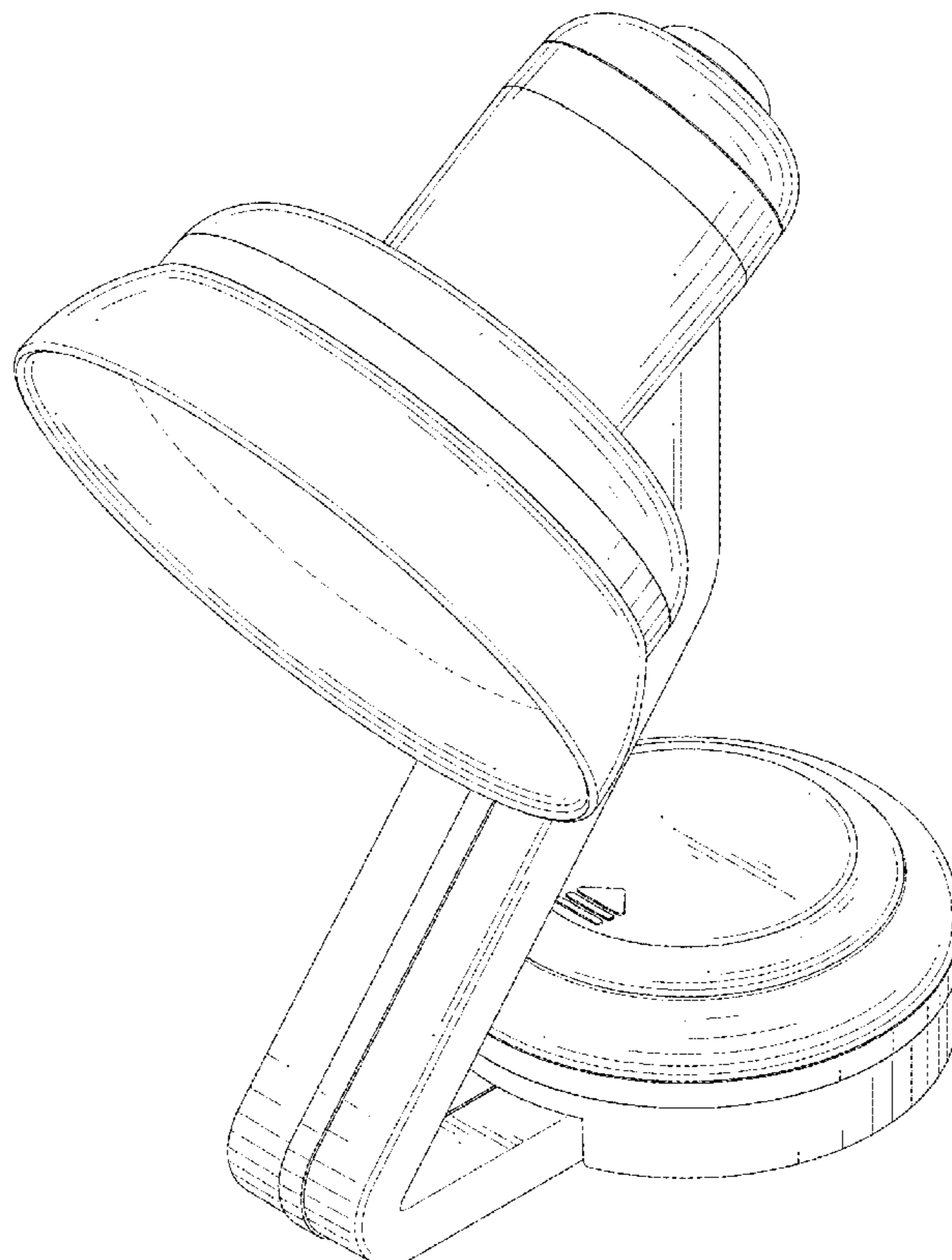
(57) **CLAIM**

The ornamental design for a lamp, as shown and described.

DESCRIPTION

FIG. 1 is a perspective view of a lamp showing my new design;
FIG. 2 is another perspective view thereof;
FIG. 3 is a front view thereof;
FIG. 4 is a rear view thereof;
FIG. 5 is a left side view thereof;
FIG. 6 is a right side view thereof;
FIG. 7 is a top view thereof; and,
FIG. 8 is a bottom view thereof.
The broken line disclosure represents portions of the lamp which form no part of the claimed design.

1 Claim, 8 Drawing Sheets



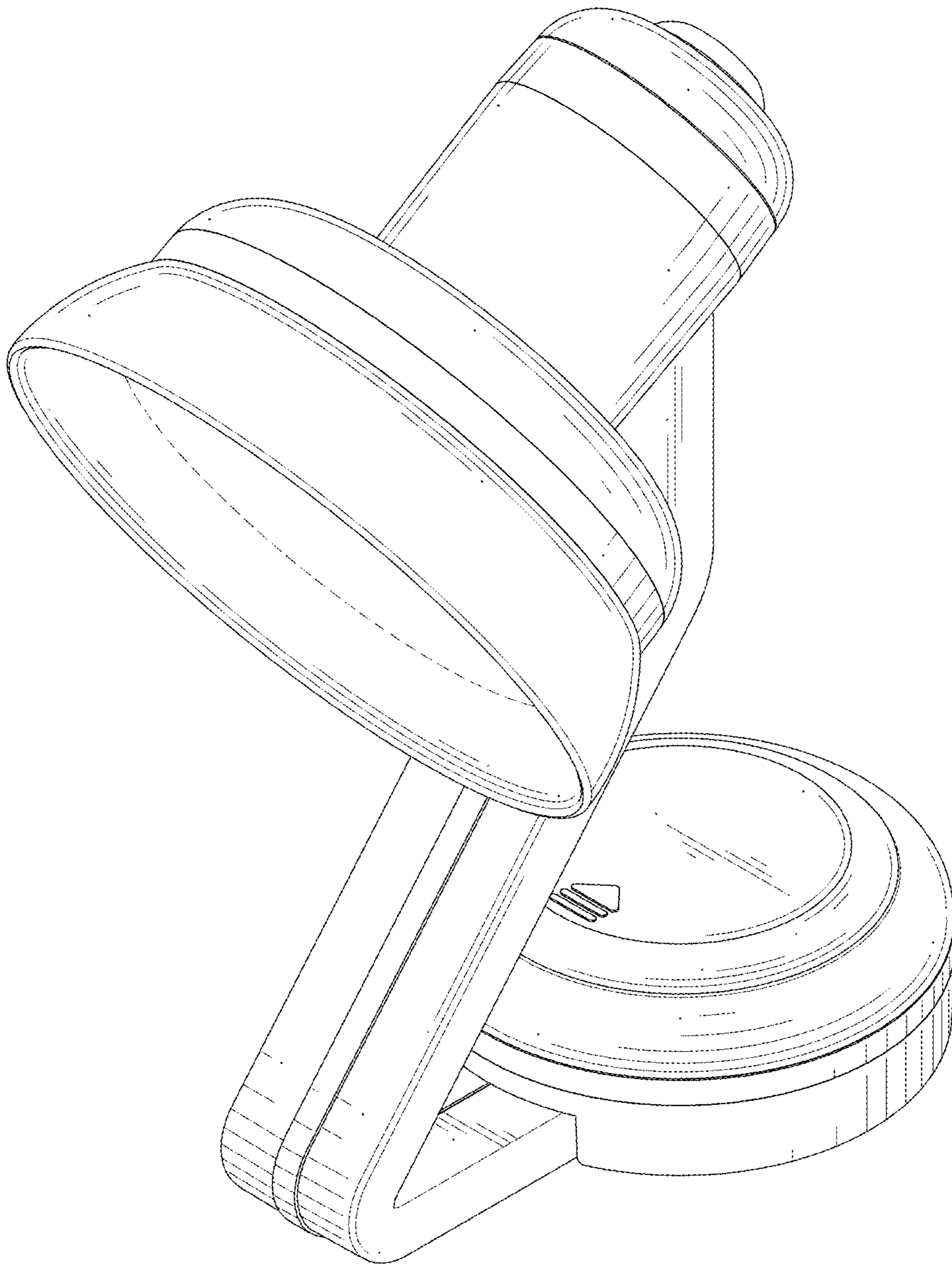


FIG. 1

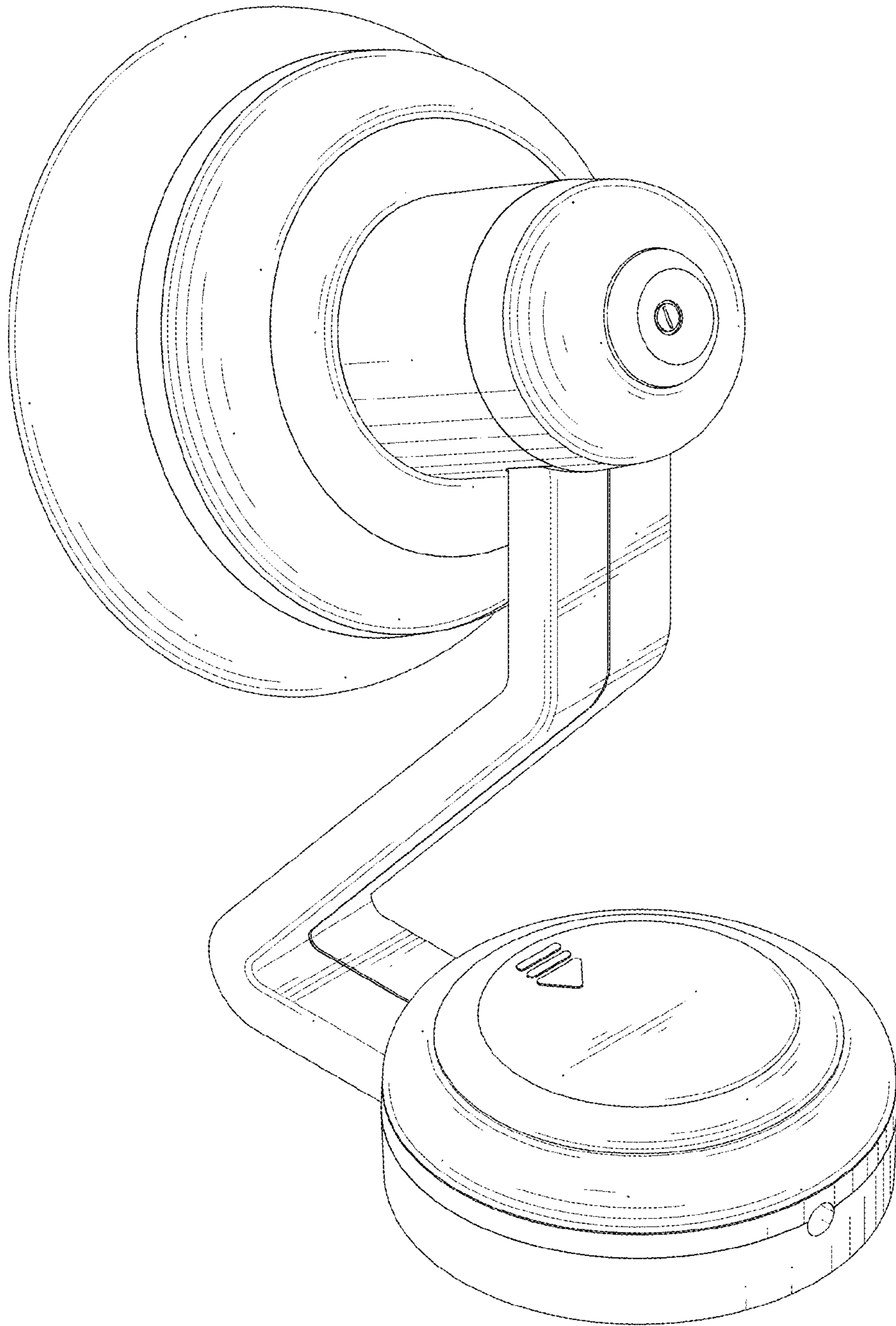


FIG.2

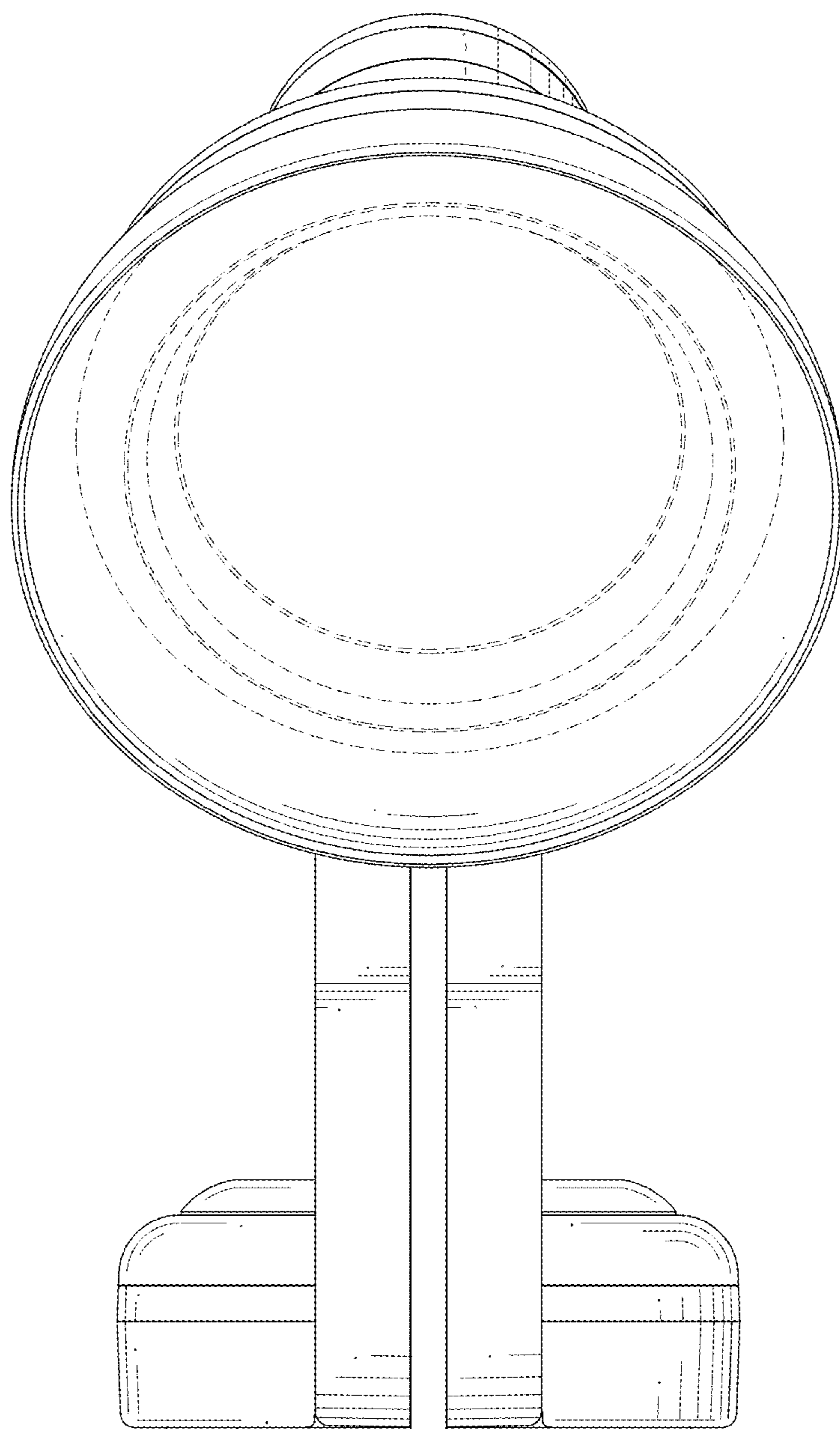


FIG.3

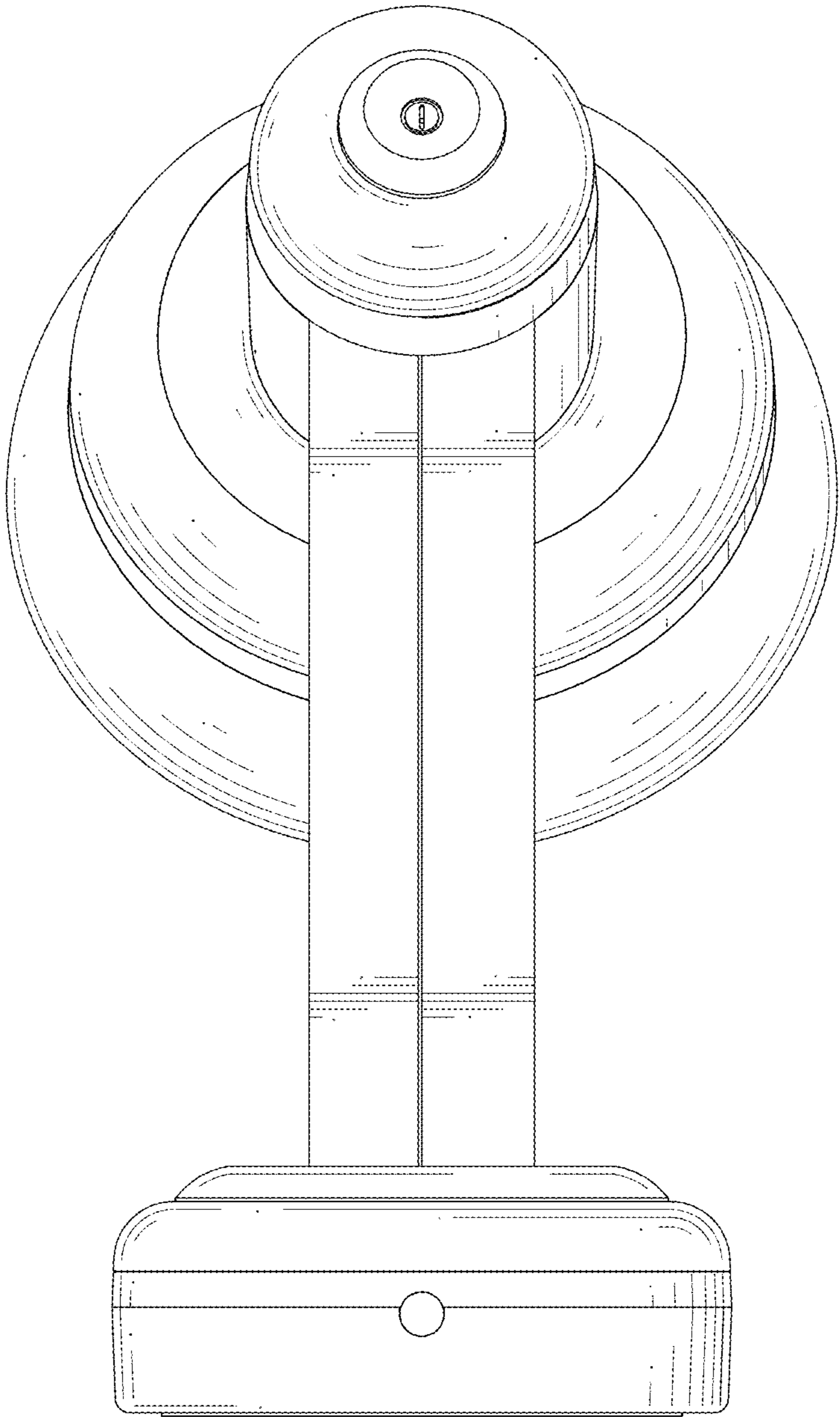


FIG. 4

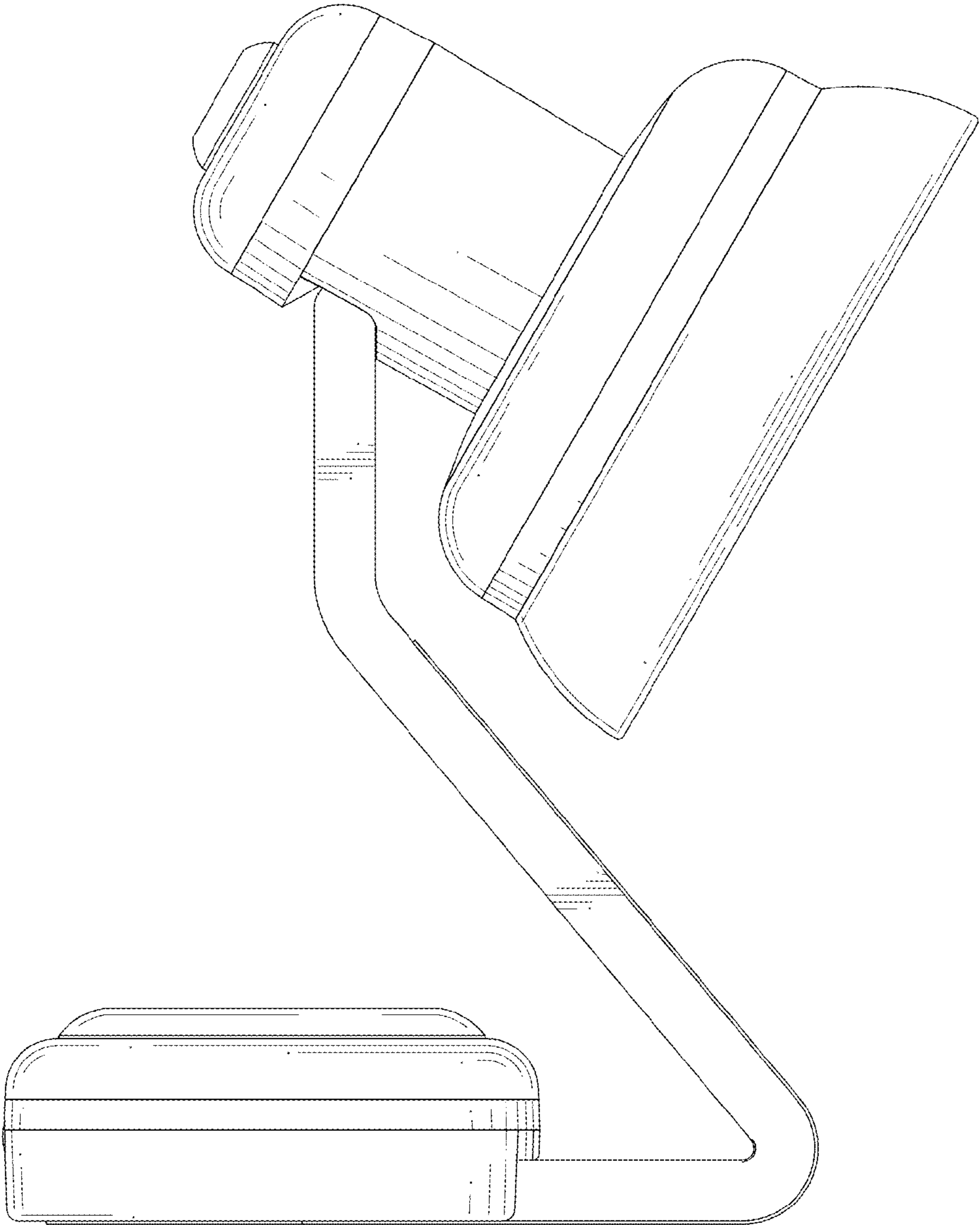


FIG. 5

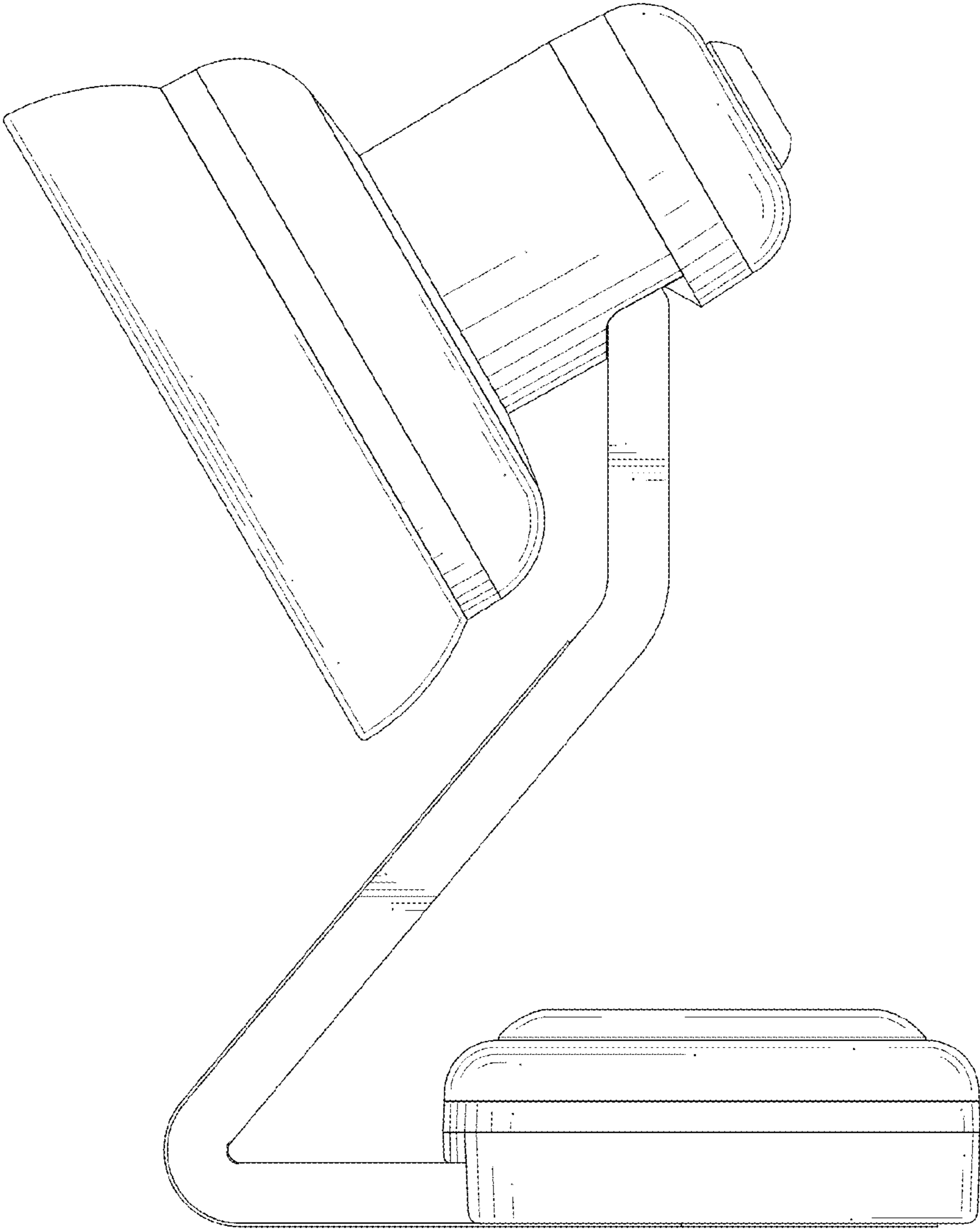


FIG.6

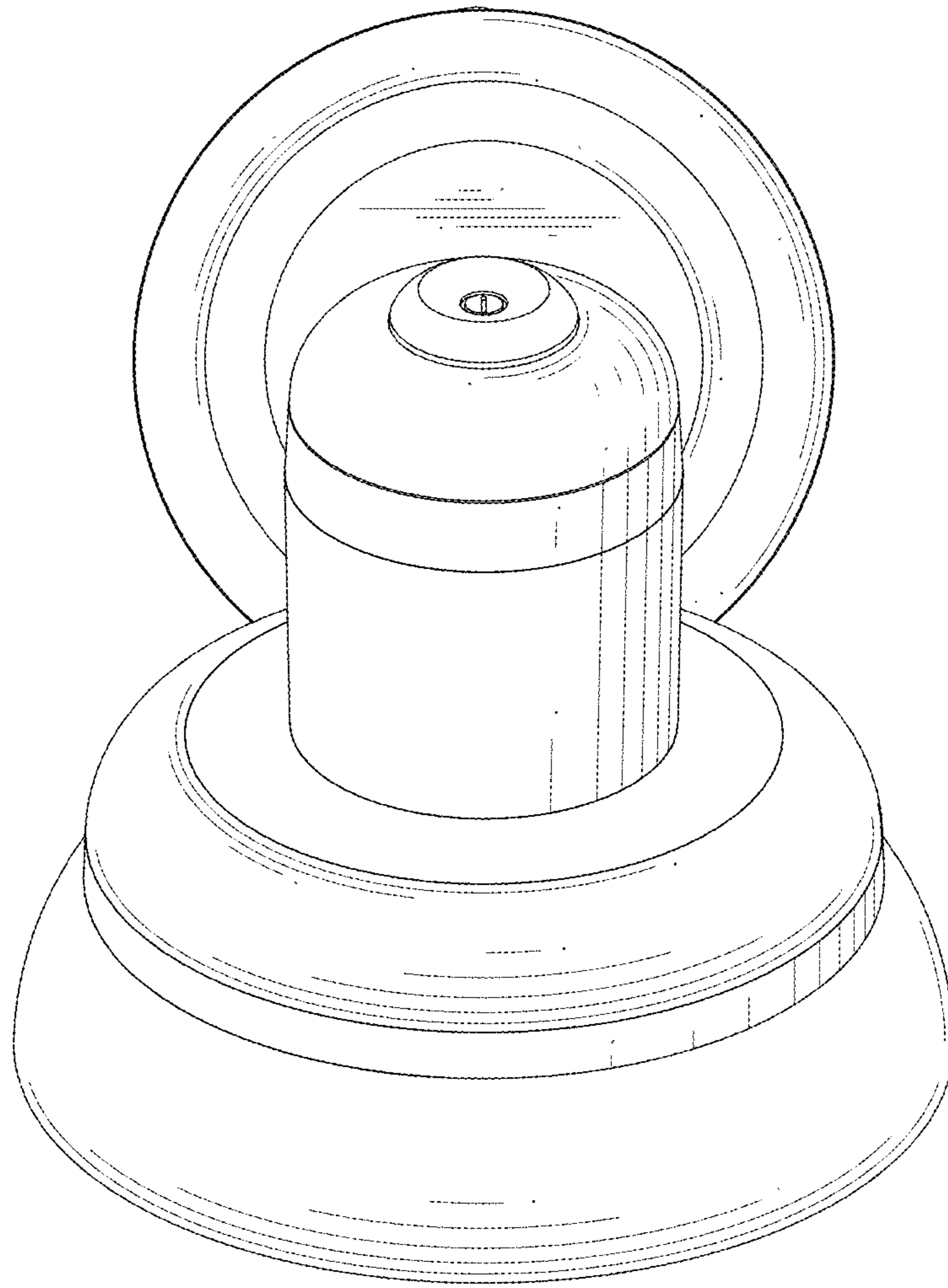


FIG. 7

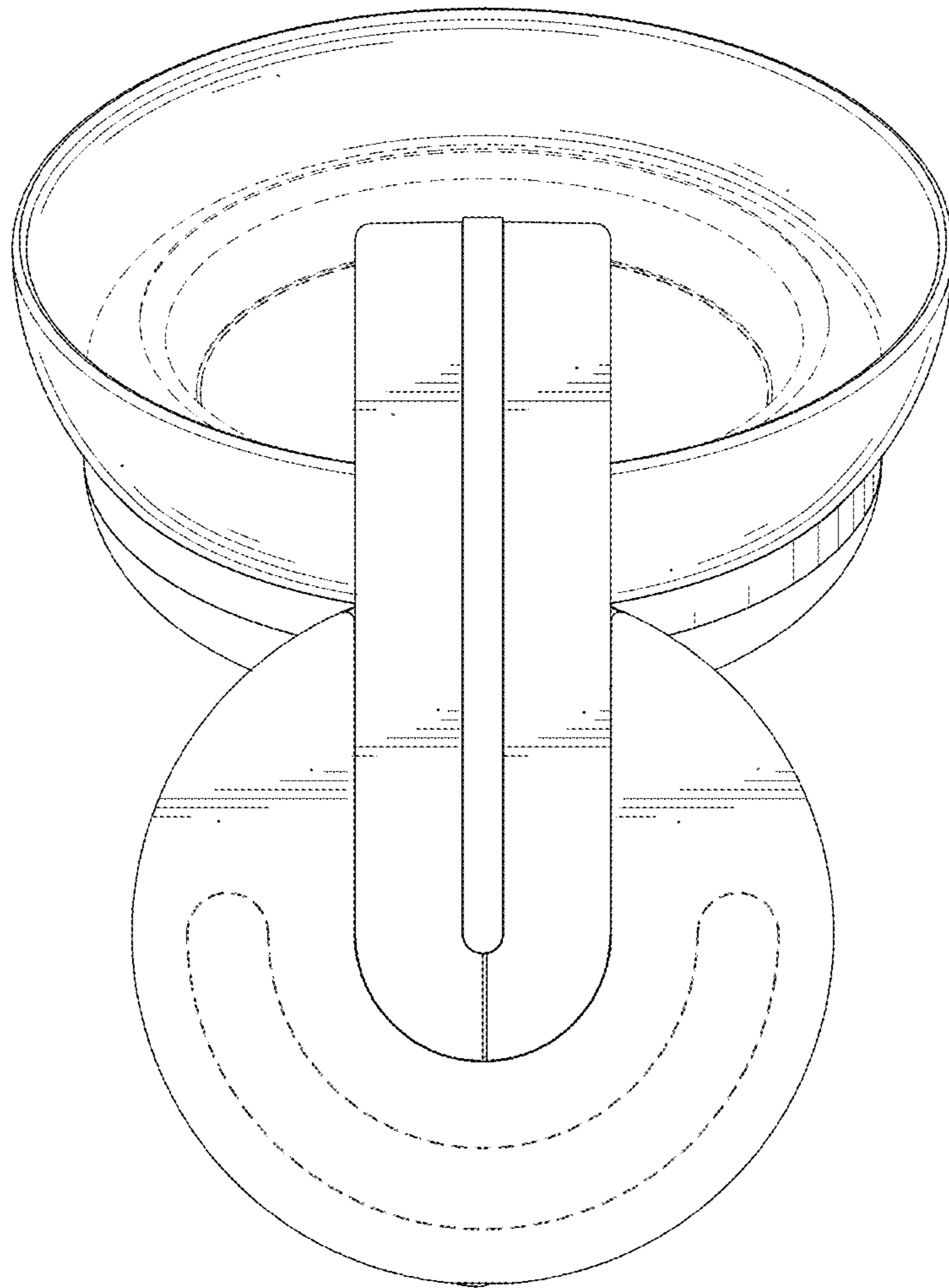


FIG. 8