



US00D759288S

(12) **United States Design Patent**
Mausser et al.

(10) **Patent No.:** **US D759,288 S**
(45) **Date of Patent:** **** Jun. 14, 2016**

- (54) **CANDLE WITH CROSS DESIGN**
- (71) Applicant: **LUMADA d.o.o.**, Ljubljana (SI)
- (72) Inventors: **Matjaz Mausser**, Ljubljana (SI); **Darya Charman**, Kranj (SI)
- (73) Assignee: **Lumada d.o.o.**, Ljubljana (SI)
- (**) Term: **15 Years**
- (21) Appl. No.: **29/533,089**
- (22) Filed: **Jul. 14, 2015**
- (51) **LOC (10) Cl.** **26-03**
- (52) **U.S. Cl.**
USPC **D26/96**
- (58) **Field of Classification Search**
USPC D26/4, 5, 6, 7, 9, 96
CPC F21S 6/00; F21S 6/001; F21S 10/04;
F21S 10/10; F21S 10/043; F21S 8/08; F21S
48/115; F21V 21/00; F21V 35/00; F21W
2121/00; C11C 5/002; C11C 5/004
See application file for complete search history.

D458,394 S * 6/2002 Leeds D26/6
D569,541 S * 5/2008 Shiu D26/96
D609,379 S * 2/2010 Lee D26/6

* cited by examiner

Primary Examiner — Brian N Vinson

(74) *Attorney, Agent, or Firm* — Mark Malek; Widerman Malek, PL

(57) **CLAIM**

The ornamental design for a candle with cross design, as shown and described.

DESCRIPTION

FIG. 1 is a perspective view of a candle with cross design according to the present design.

FIG. 2 is a top plan view of the candle with cross design illustrated in FIG. 1.

FIG. 3 is a bottom plan view of the candle with cross design illustrated in FIG. 1.

FIG. 4 is a front elevation view of the candle with cross design illustrated in FIG. 1.

FIG. 5 is a rear elevation view of the candle with cross design illustrated in FIG. 1; and,

FIG. 6 is a side elevation view of the candle with cross design illustrated in FIG. 1.

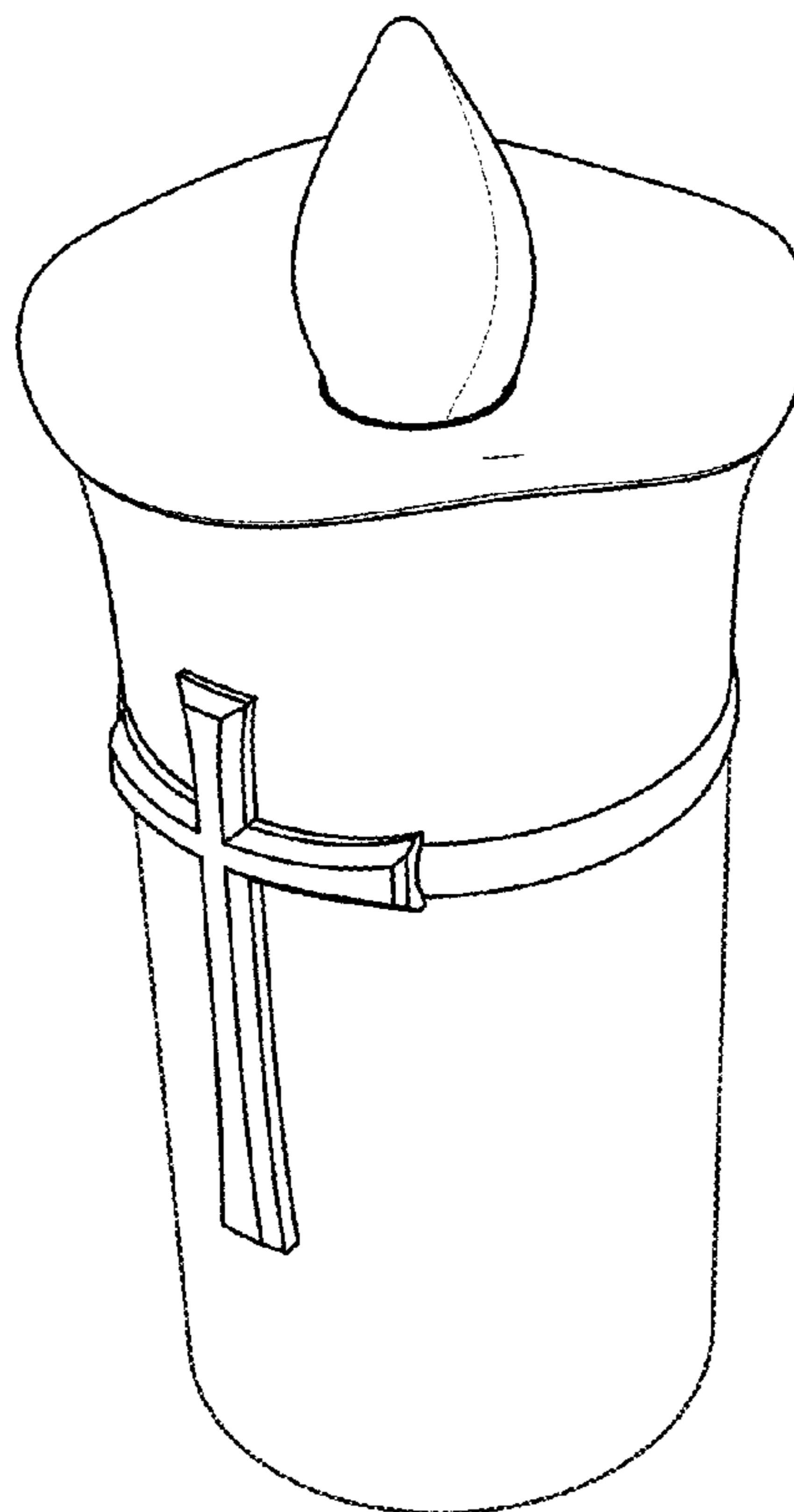
The broken line disclosure depicted in FIG. 3 represents portions of the candle with cross design that form no part of the claimed design.

(56) **References Cited**

U.S. PATENT DOCUMENTS

- D53,043 S * 3/1919 Messer D26/7
- 3,294,888 A * 12/1966 Lindahl C11C 5/008
264/132
- D218,860 S * 9/1970 Madden D26/7

1 Claim, 4 Drawing Sheets



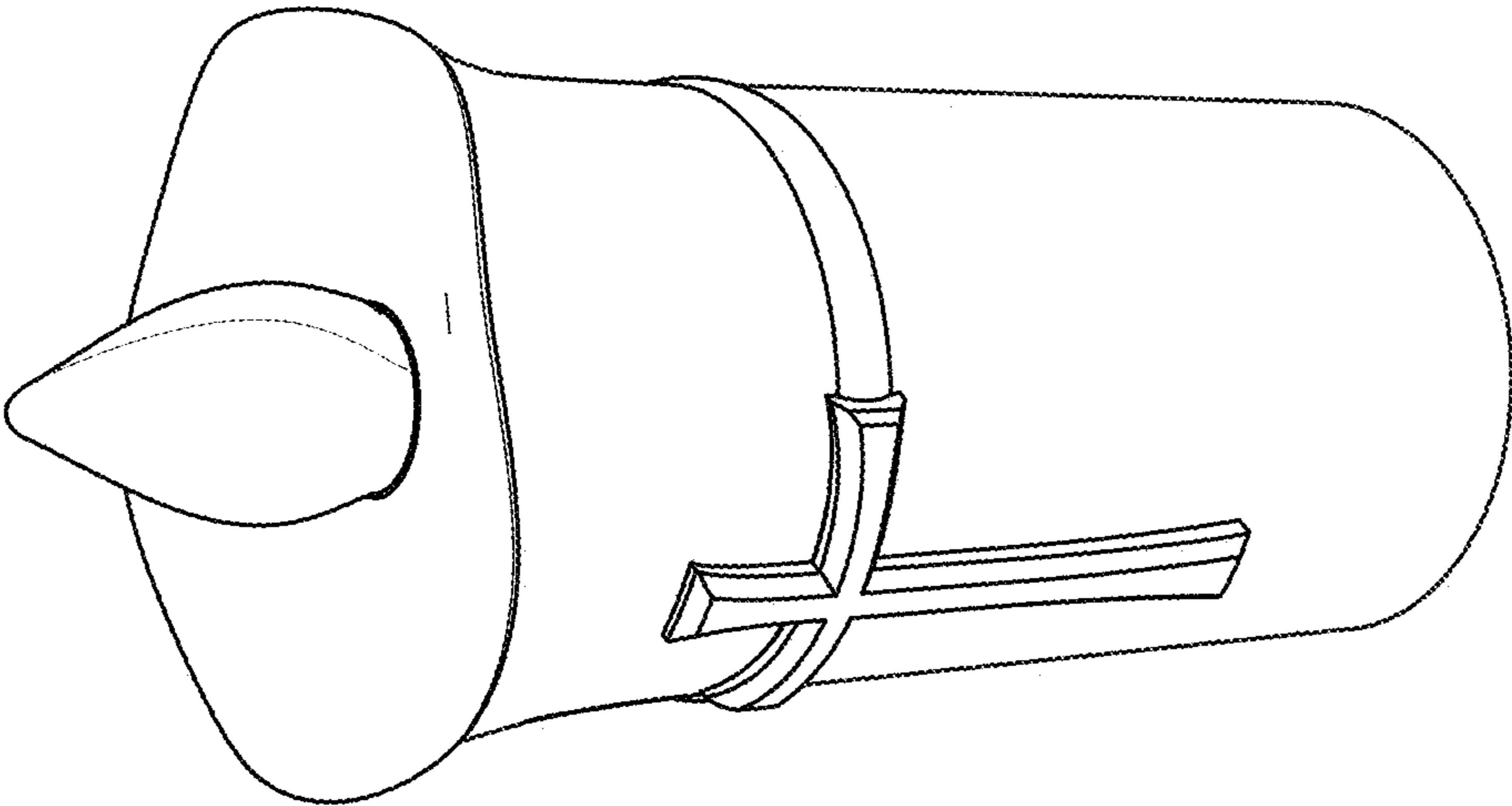


FIG. 1

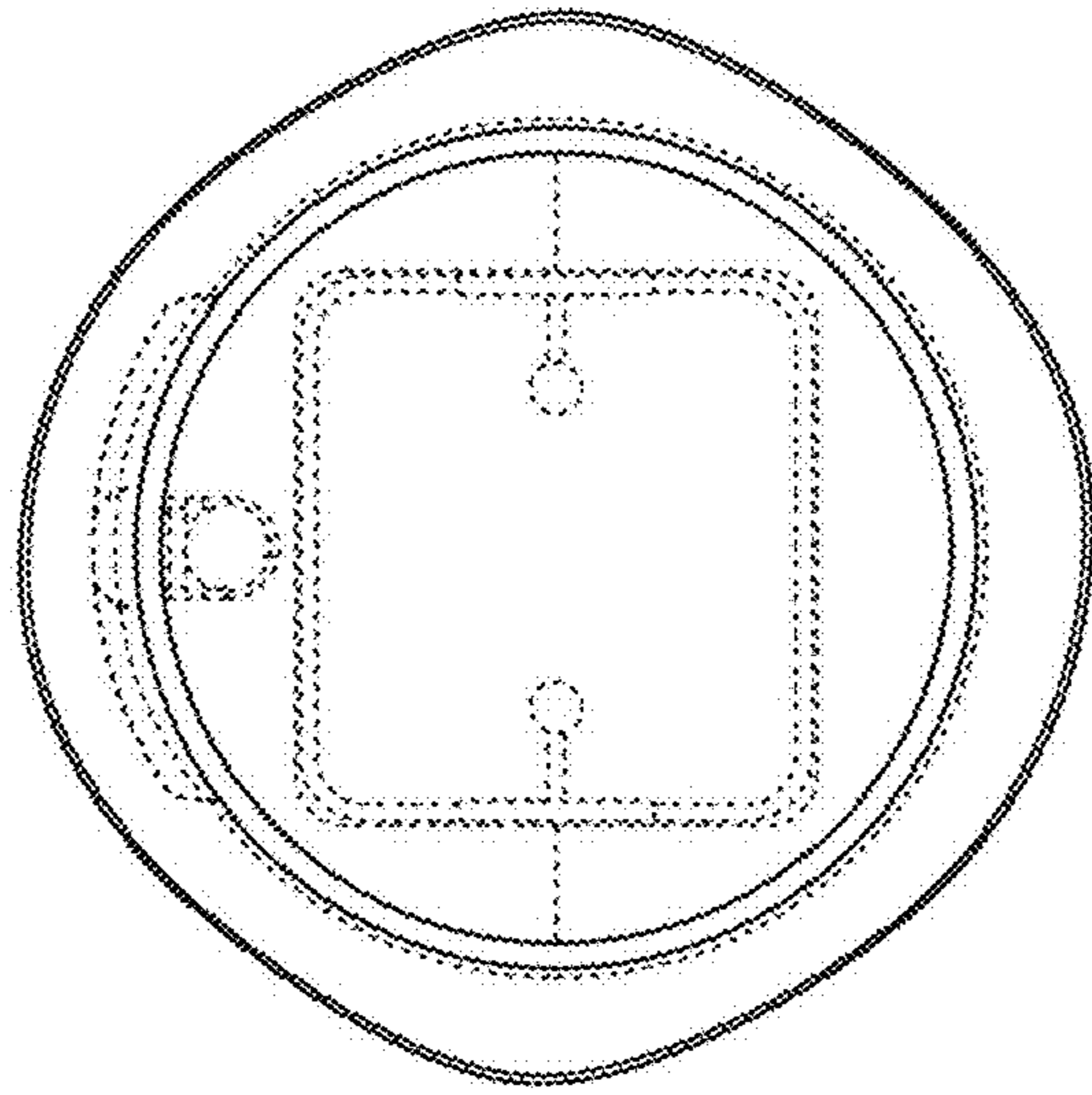


FIG. 3

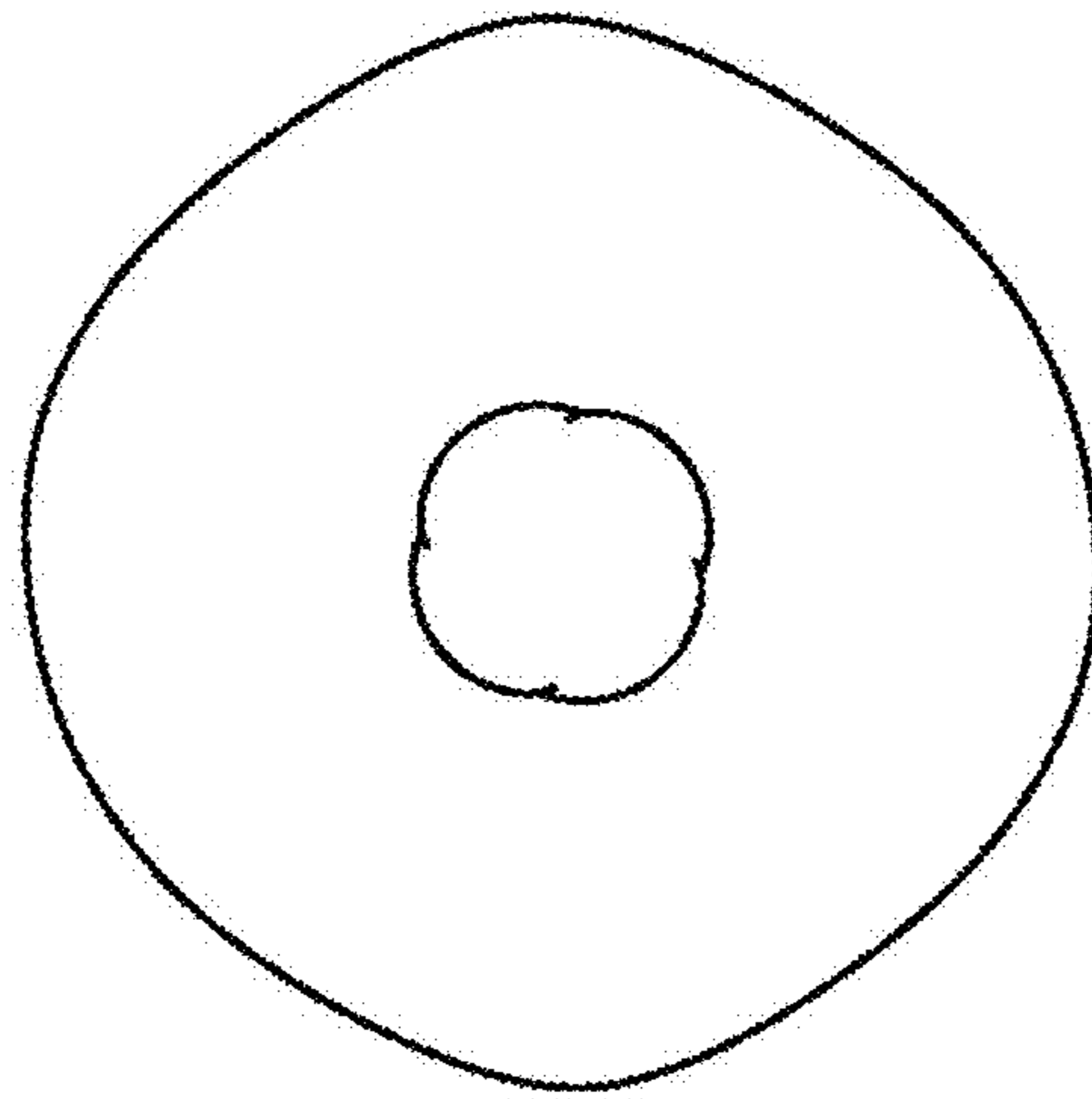


FIG. 2

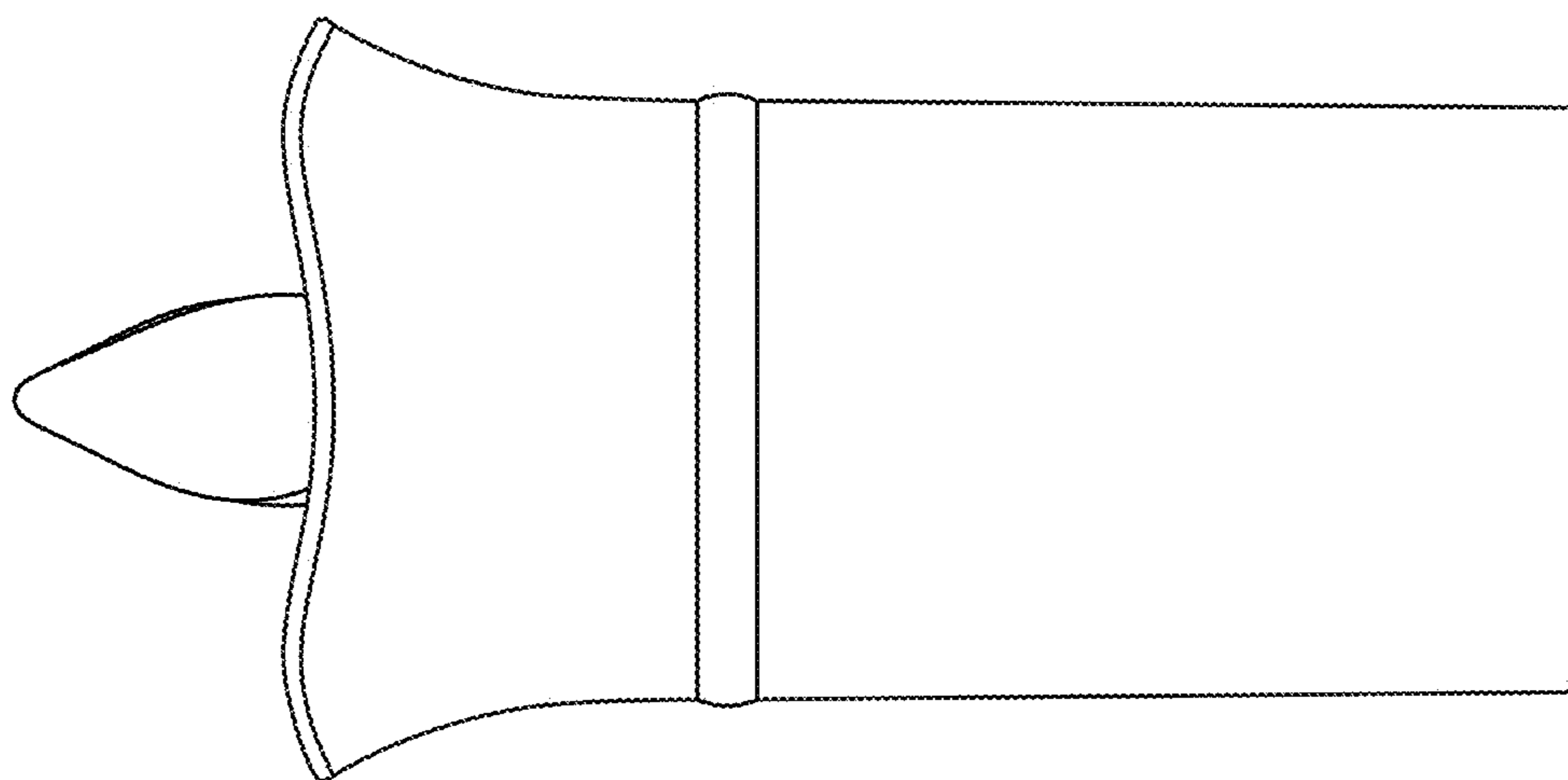


FIG. 5

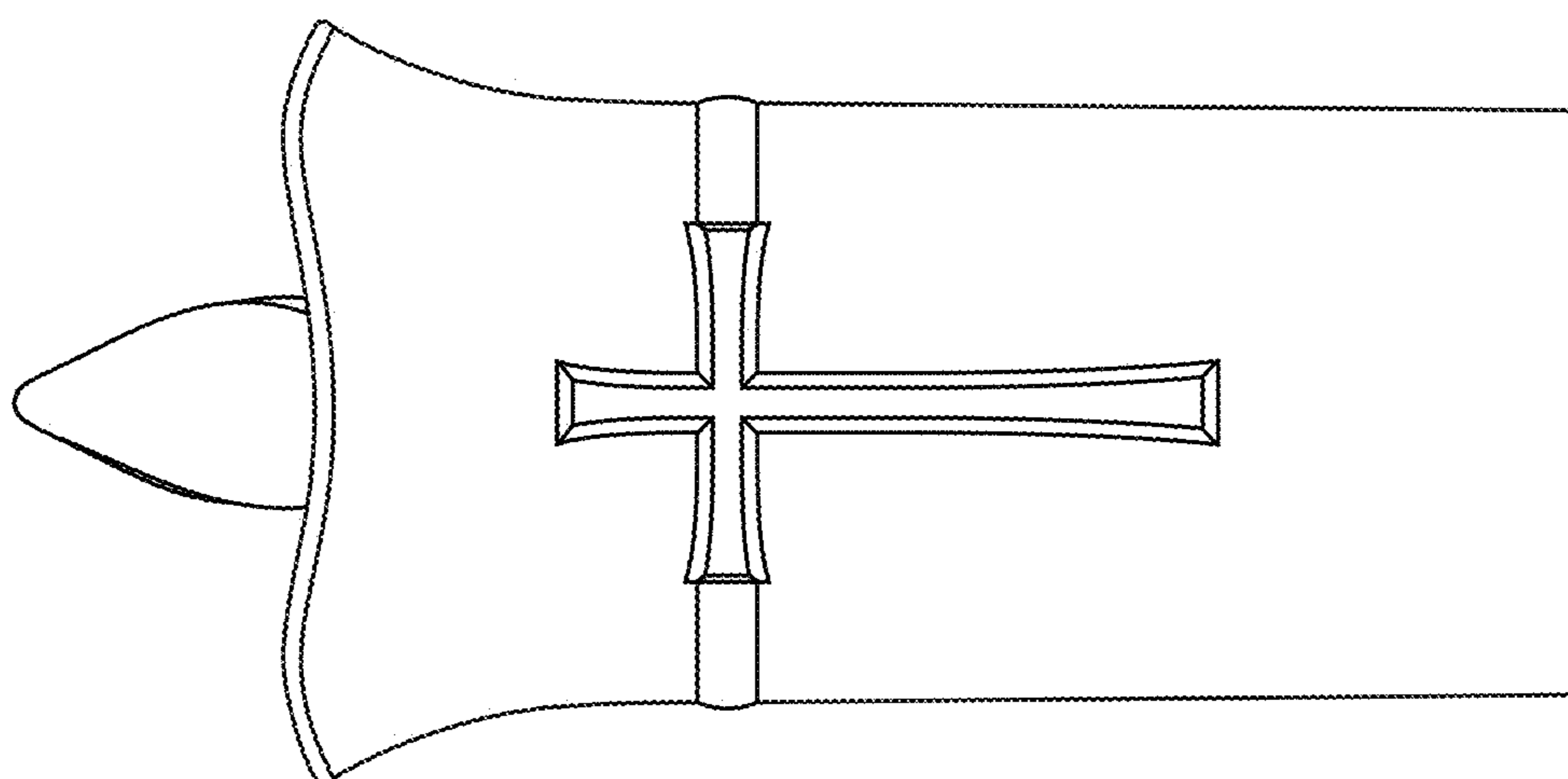


FIG. 4

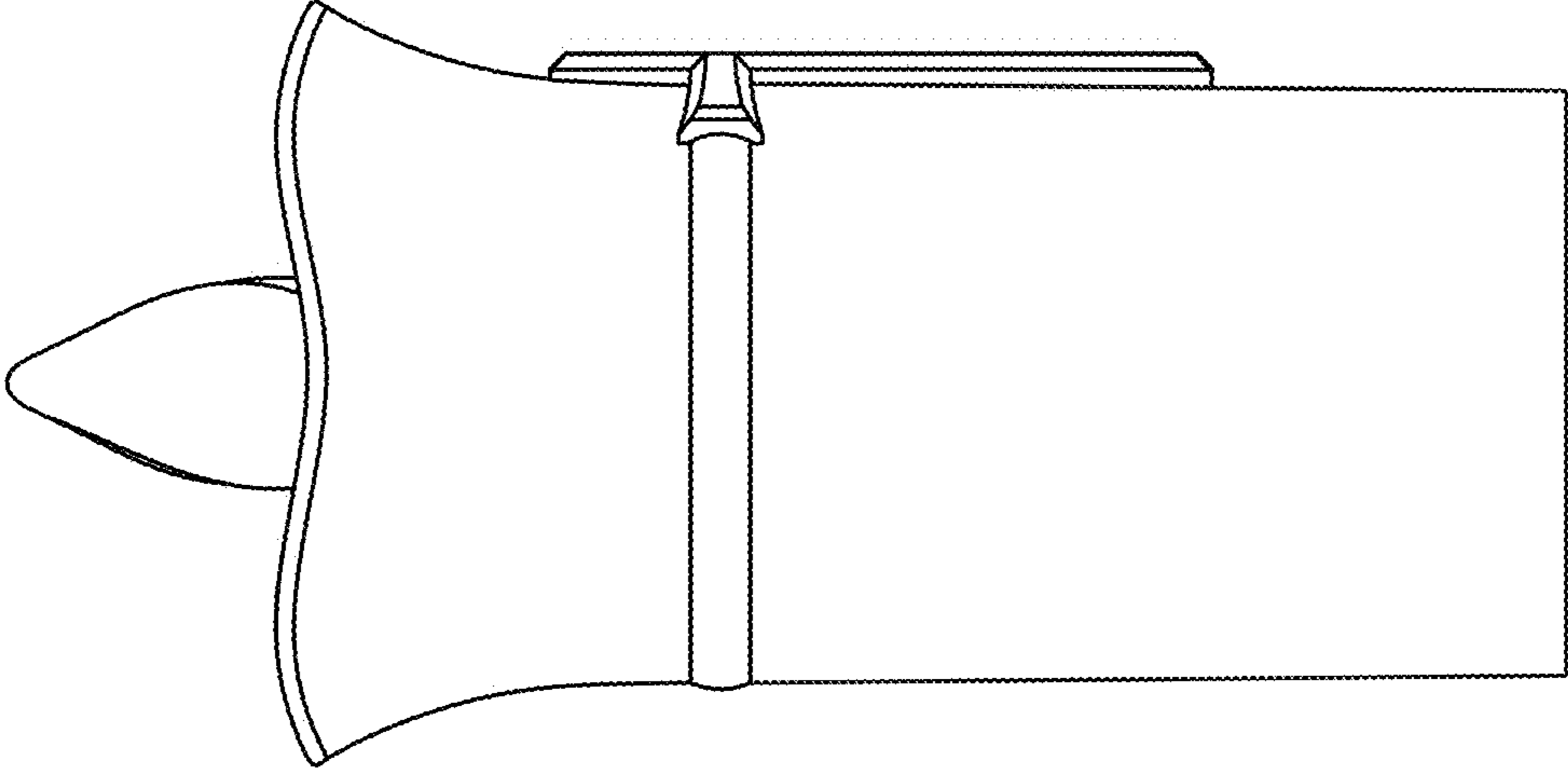


FIG. 6