



US00D759285S

(12) **United States Design Patent**
Mitchell et al.

(10) **Patent No.:** **US D759,285 S**
(45) **Date of Patent:** **** *Jun. 14, 2016**

(54) **COLD SPACE LIGHT**

(71) Applicant: **Kason Industries, Inc.**, Newnan, GA (US)

(72) Inventors: **Brett A. Mitchell**, Newnan, GA (US);
Raymond J. Hiller, Newnan, GA (US)

(73) Assignee: **Kason Industries, Inc.**, Newnan, GA (US)

(*) Notice: This patent is subject to a terminal disclaimer.

(**) Term: **14 Years**

(21) Appl. No.: **29/445,003**

(22) Filed: **Feb. 6, 2013**

(51) **LOC (10) Cl.** **26-03**

(52) **U.S. Cl.**
USPC **D26/89**

(58) **Field of Classification Search**
USPC D26/28, 72, 74, 80, 84, 88, 89, 118,
D26/128; 362/92, 147, 488-493, 363,
362/453-456, 605, 608, 632, 101, 477
See application file for complete search history.

(56) **References Cited**

U.S. PATENT DOCUMENTS

D47,607 S *	7/1915	Owen	D26/89
D73,078 S *	7/1927	Graff	D26/28
D212,899 S	12/1968	Vesely et al.		
D221,351 S *	8/1971	Remington	D26/86
D248,503 S *	7/1978	Grindle	D26/67
D294,871 S *	3/1988	Ewing et al.	D26/85
D378,438 S *	3/1997	Slincy	D26/72

D404,838 S *	1/1999	Magnusson	D26/28
D452,923 S *	1/2002	Kim	D26/28
D464,164 S	10/2002	Thompson		
D477,891 S	7/2003	Fritze et al.		
D496,487 S	9/2004	Rhee		
D499,505 S	12/2004	Benensohn		
D514,732 S	2/2006	Benensohn		
D547,484 S *	7/2007	Guercio	D26/89
D567,989 S	4/2008	Goetz-Schaefer		
D574,978 S *	8/2008	Hyodo et al.	D26/28
D634,048 S *	3/2011	Lombardi et al.	D26/85
D634,055 S	3/2011	Hokazono et al.		
D634,056 S	3/2011	Hokazono et al.		
D637,339 S *	5/2011	Hasan et al.	D26/89
D690,853 S *	10/2013	Huang	D26/28

* cited by examiner

Primary Examiner — Clare E Heflin

(74) *Attorney, Agent, or Firm* — Baker Donelson; Dorian B. Kennedy

(57) **CLAIM**

The ornamental design for a cold space light, as shown and described.

DESCRIPTION

FIG. 1 is a perspective view of a cold space light showing our new design.

FIG. 2 is a front view thereof.

FIG. 3 is a rear view thereof.

FIG. 4 is a left side view thereof.

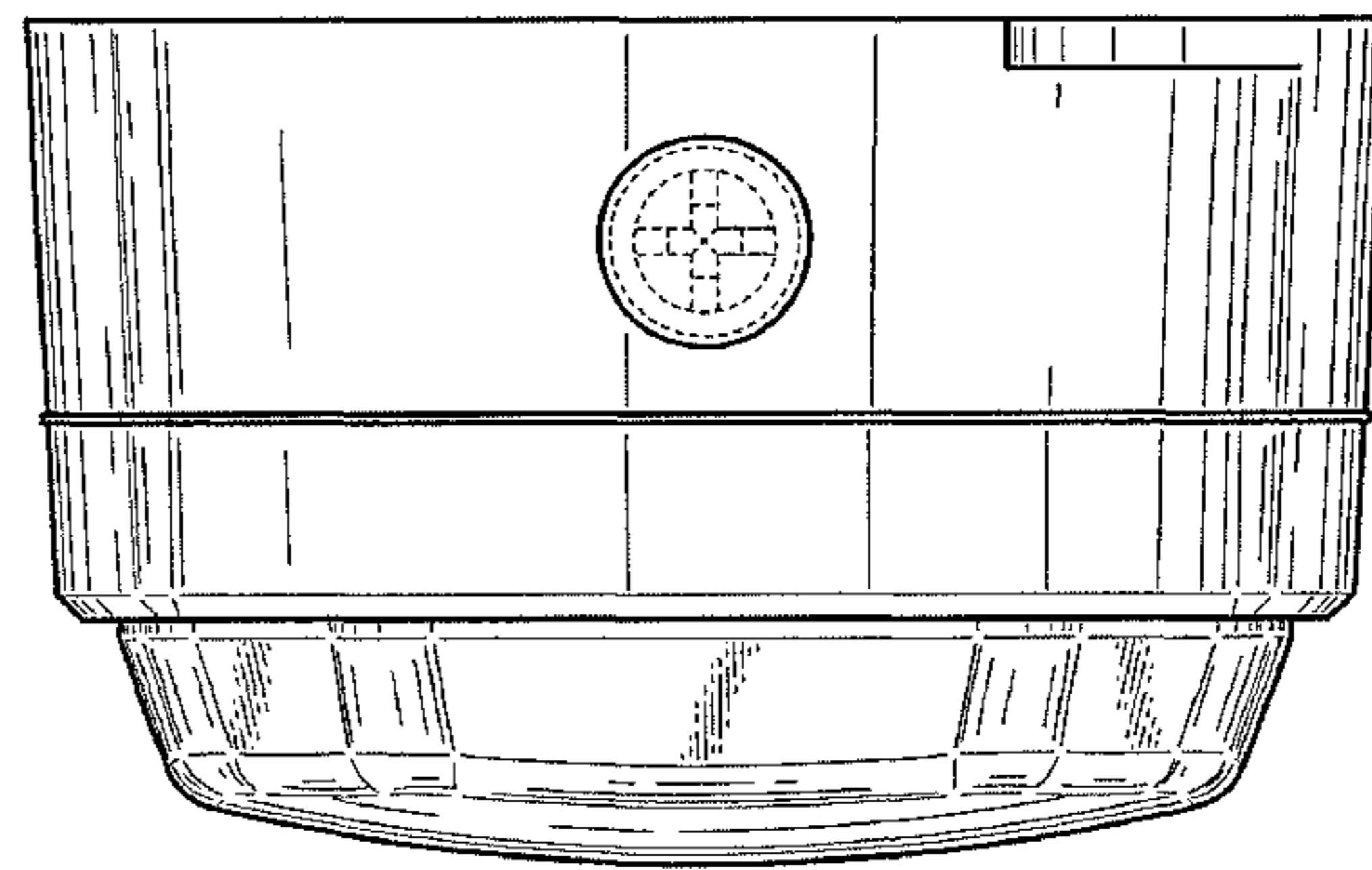
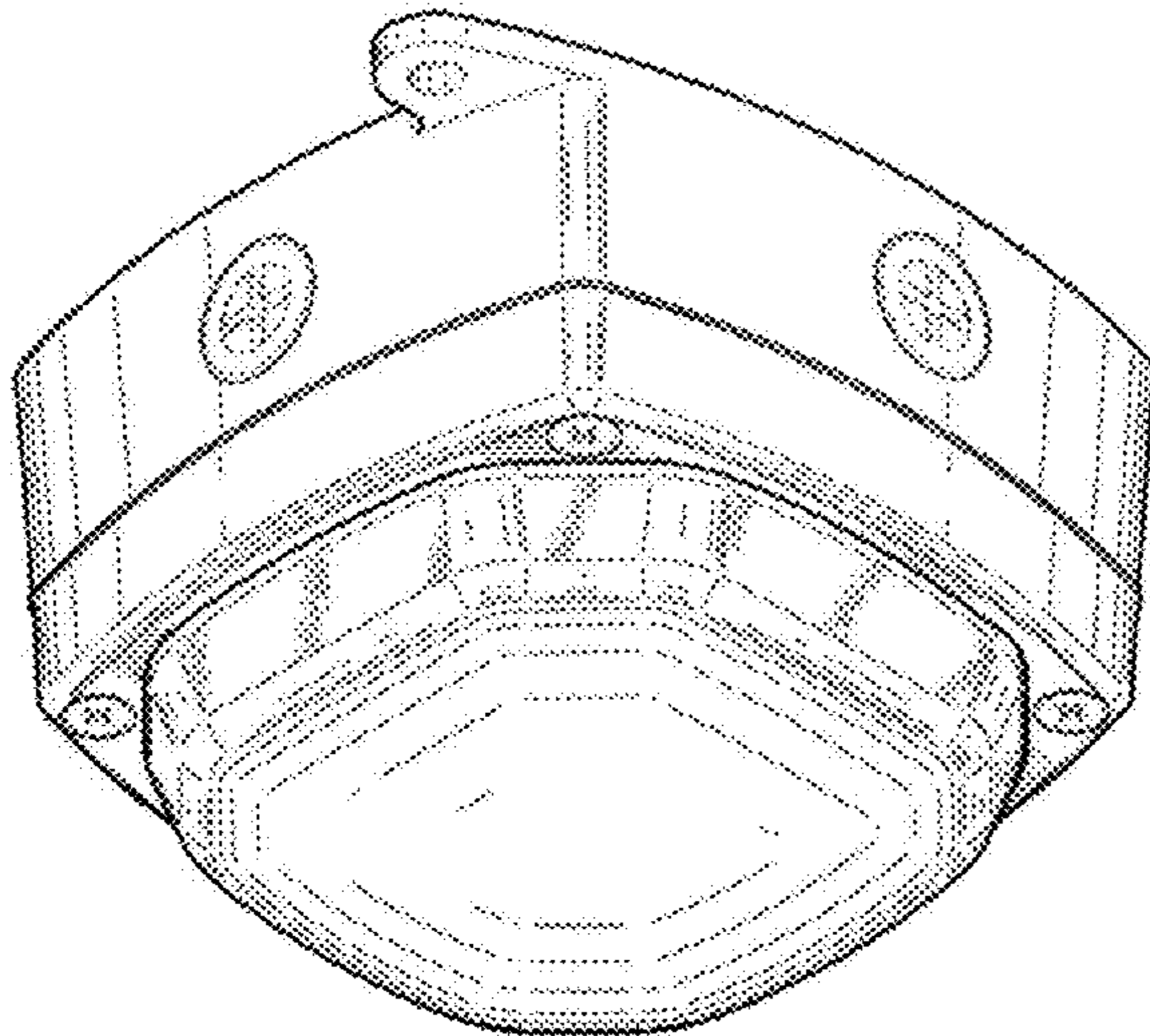
FIG. 5 is a right side view thereof.

FIG. 6 is a top view thereof; and,

FIG. 7 is a bottom view thereof.

The broken lines depict portions of the cold space light that form no part of the claimed design.

1 Claim, 5 Drawing Sheets



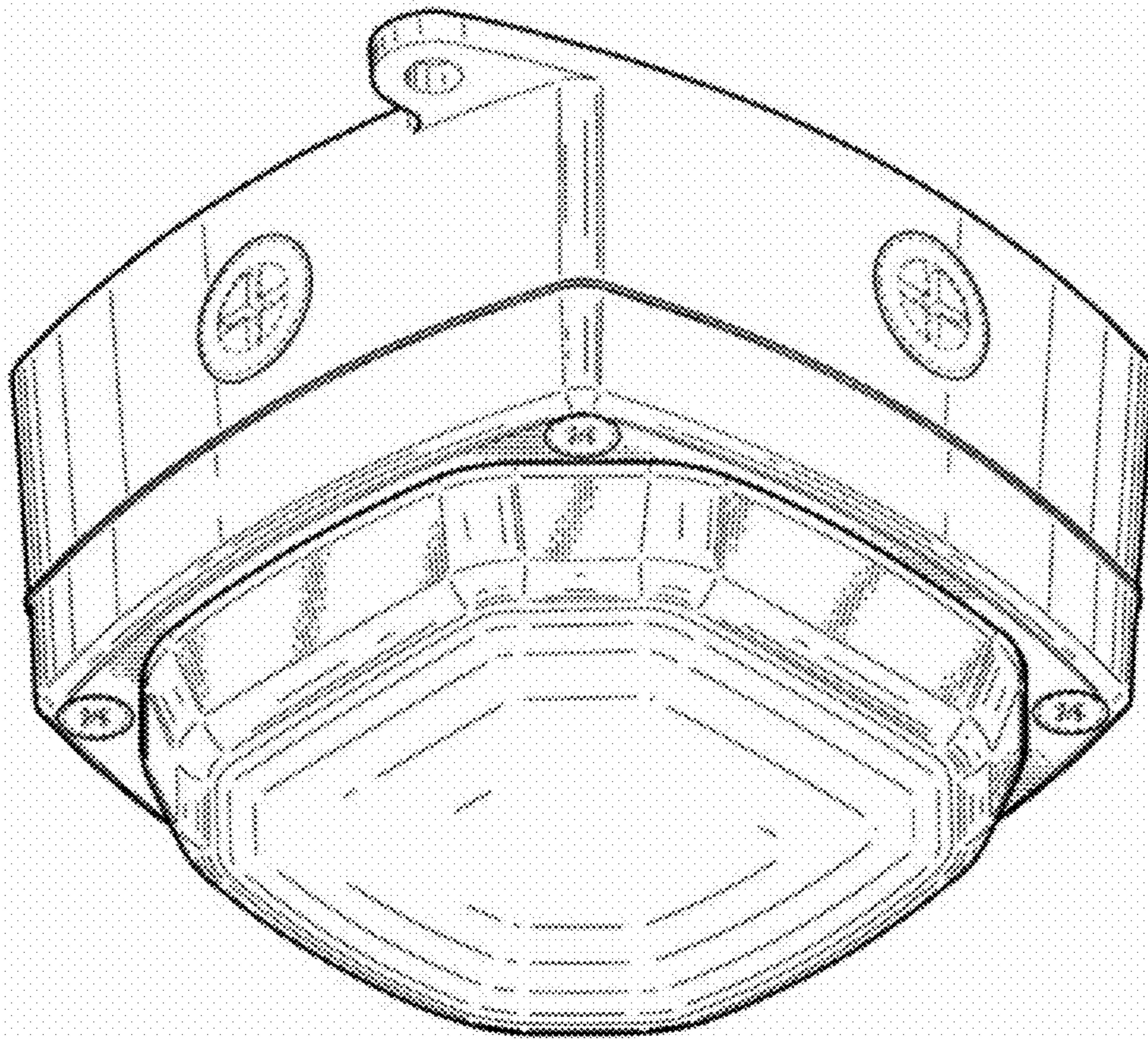


FIG. 1

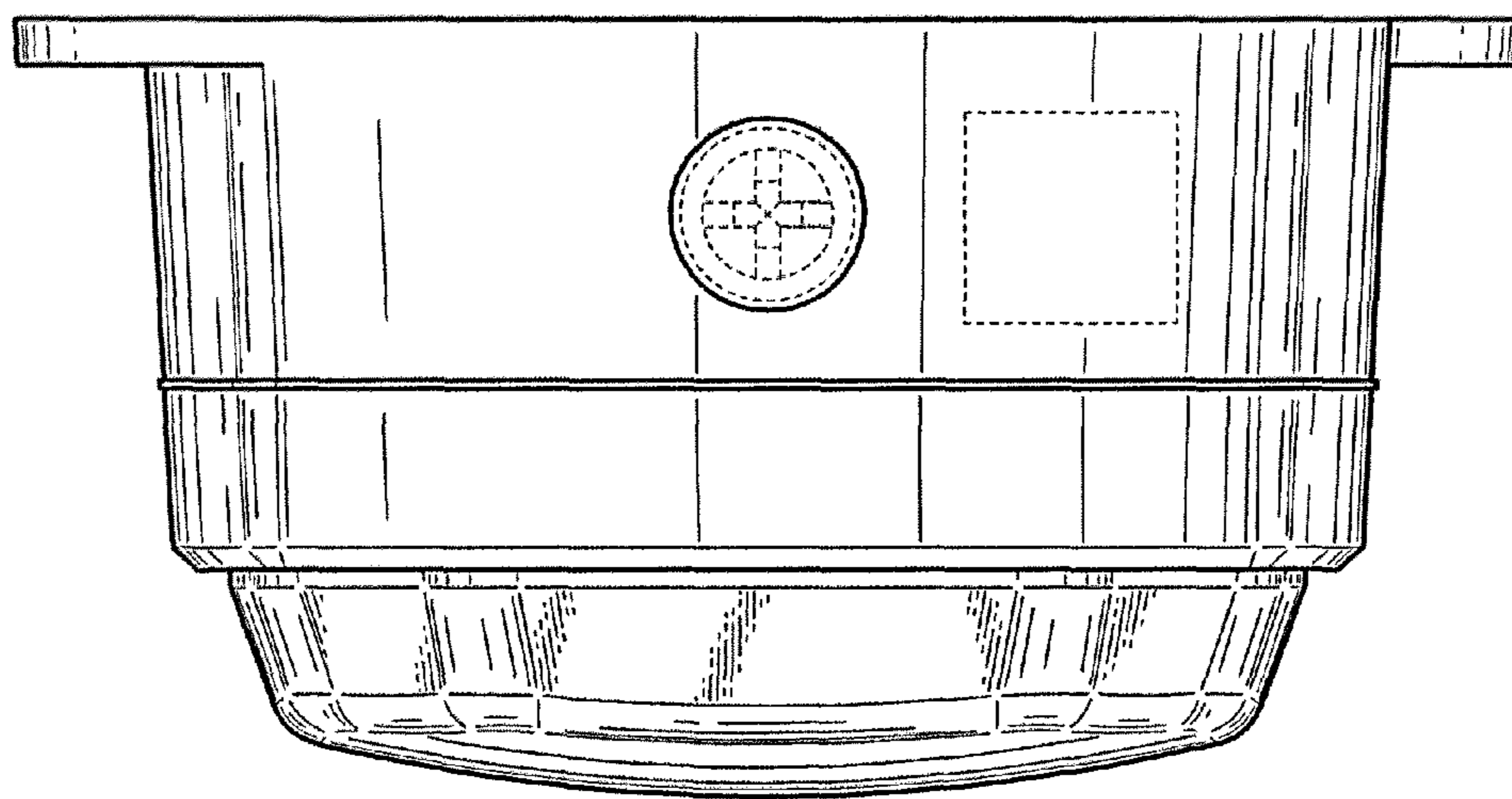


FIG. 2

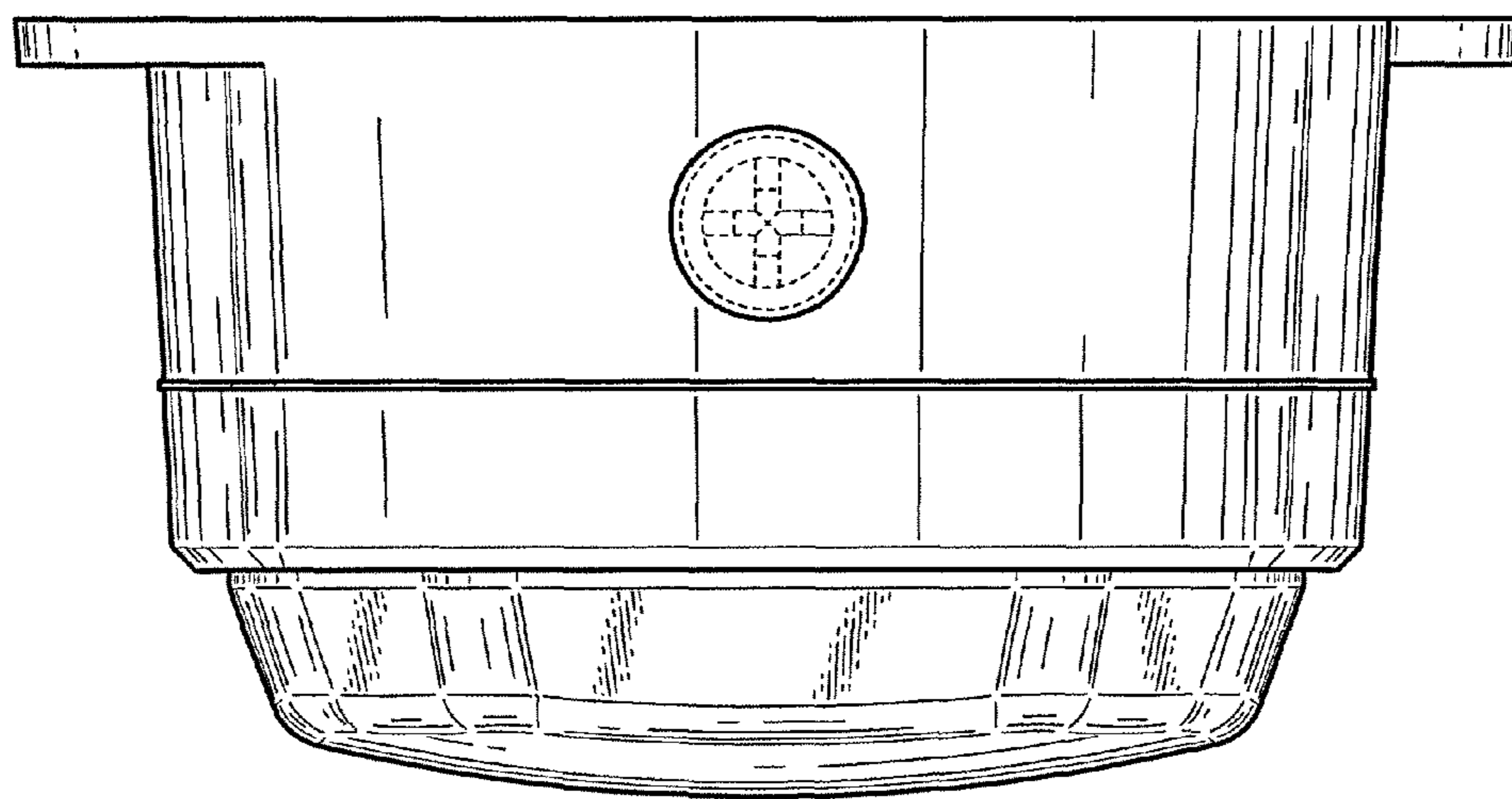


FIG. 3

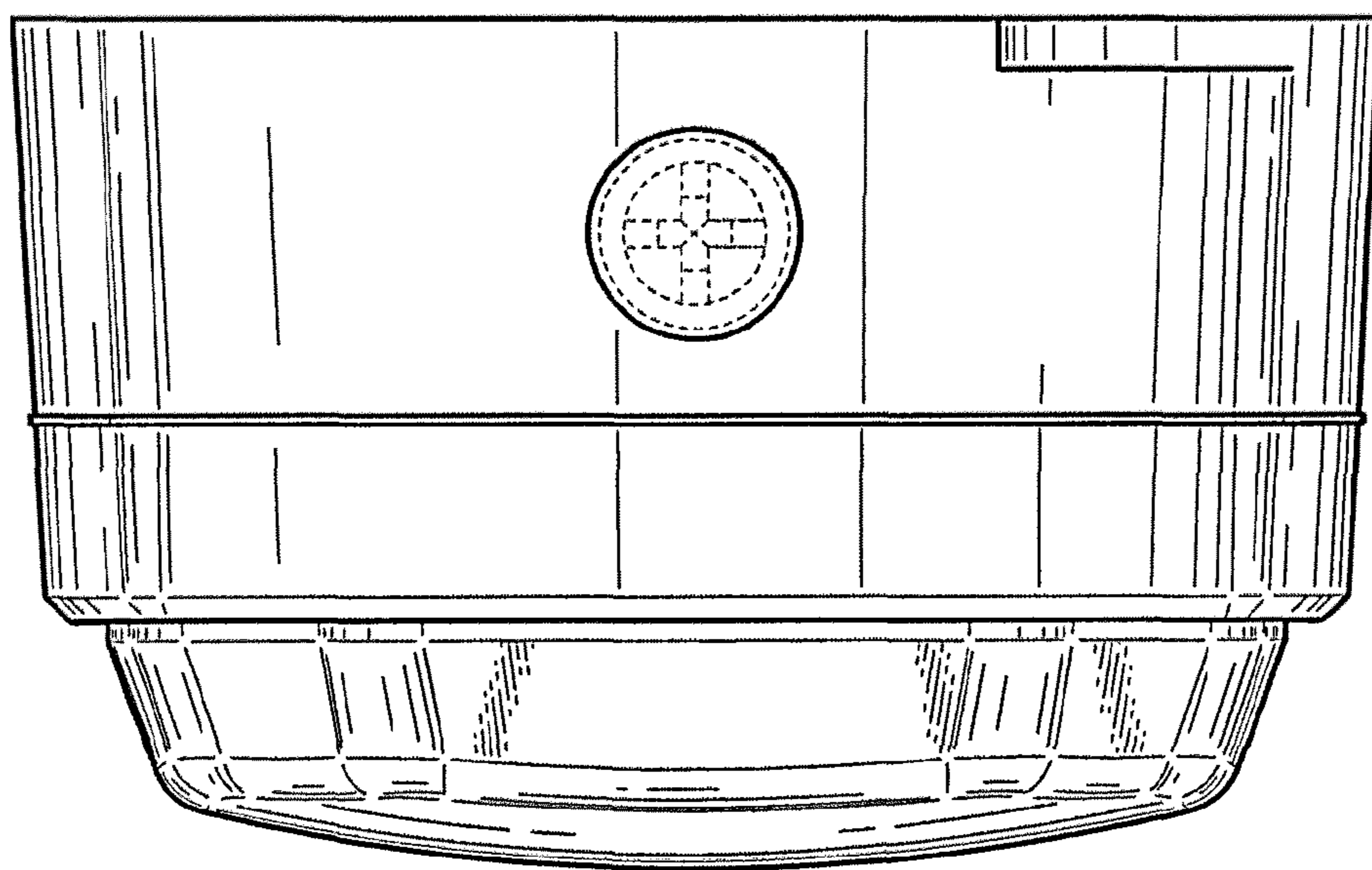


FIG. 4

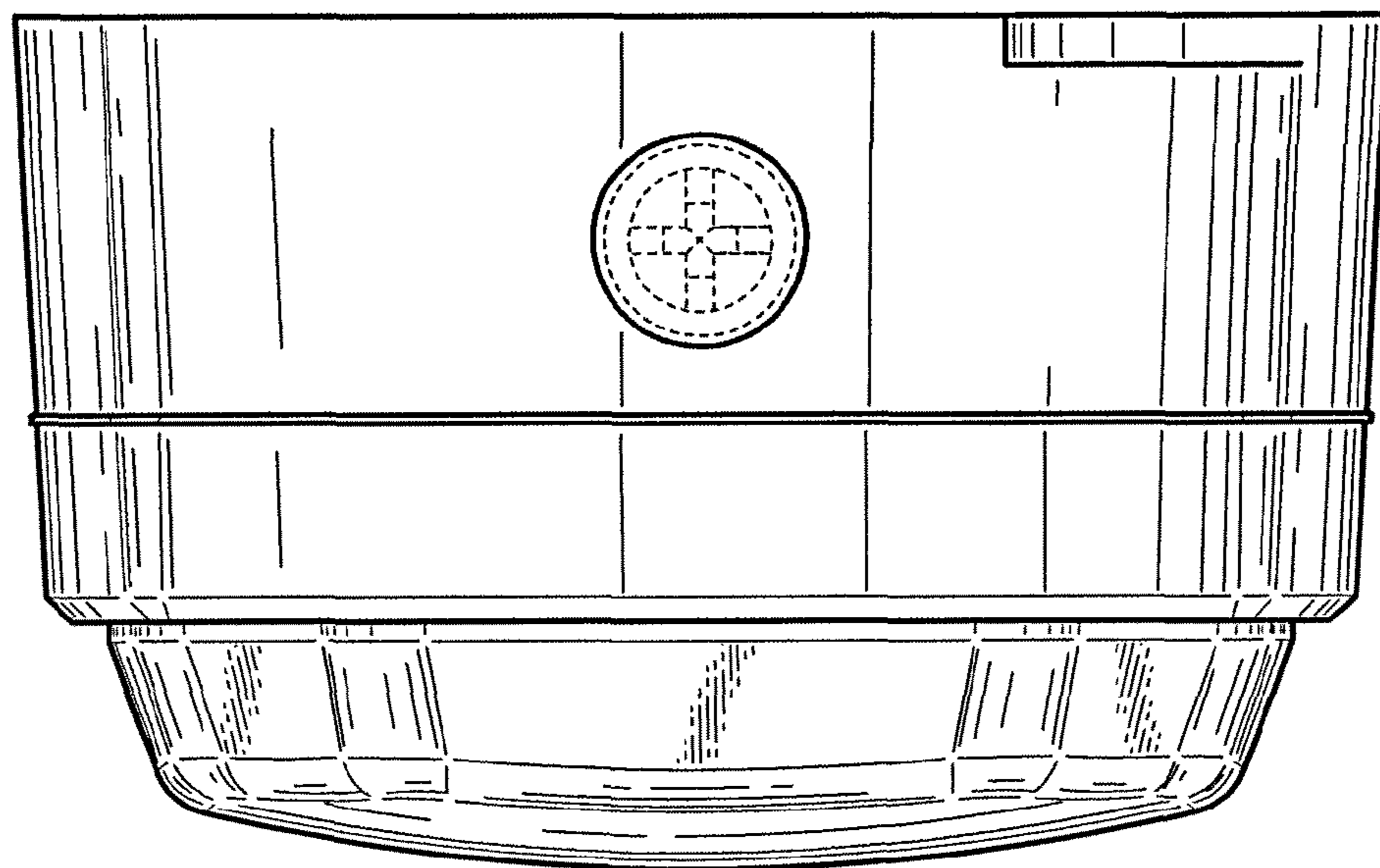


FIG. 5

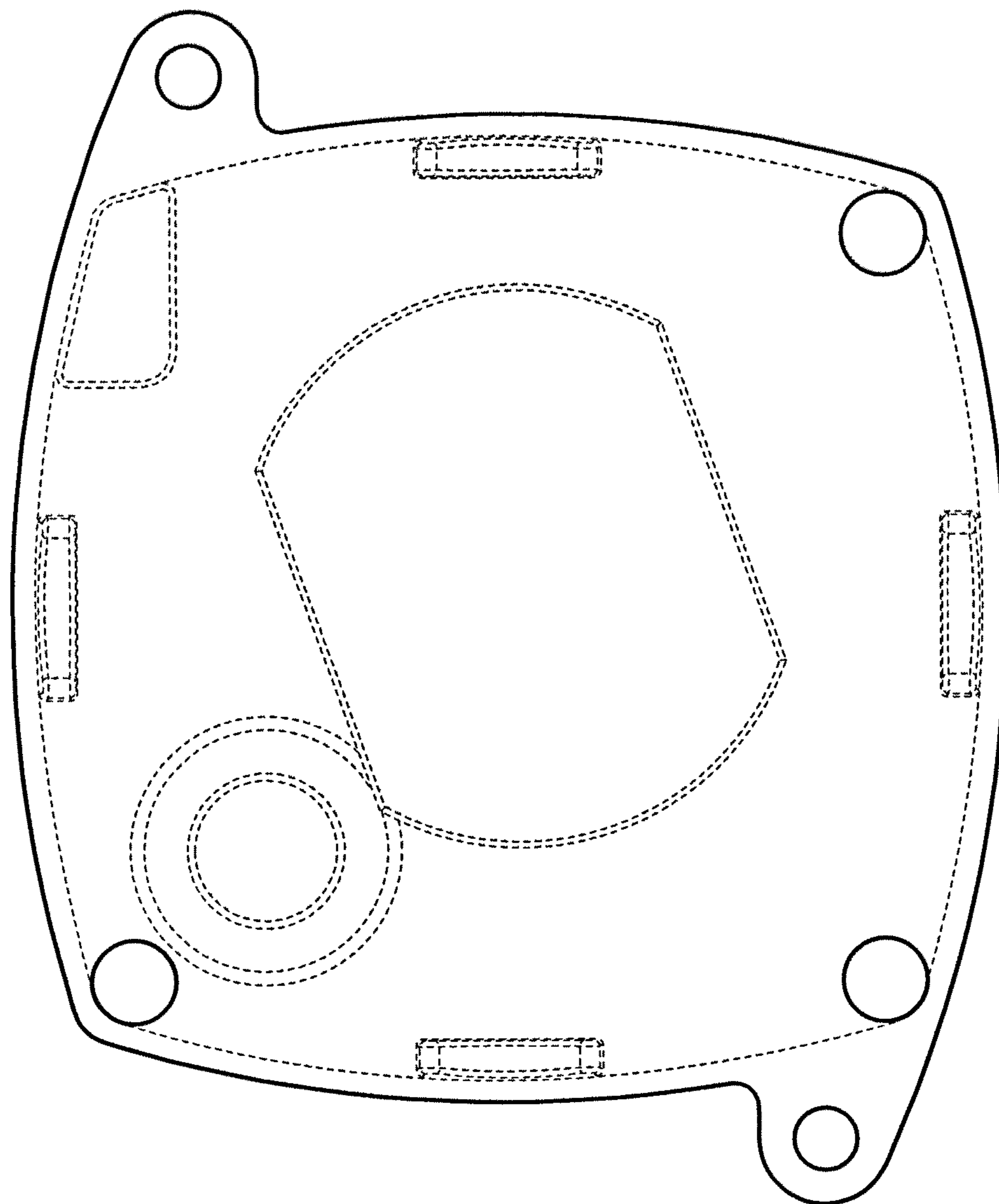


FIG. 6

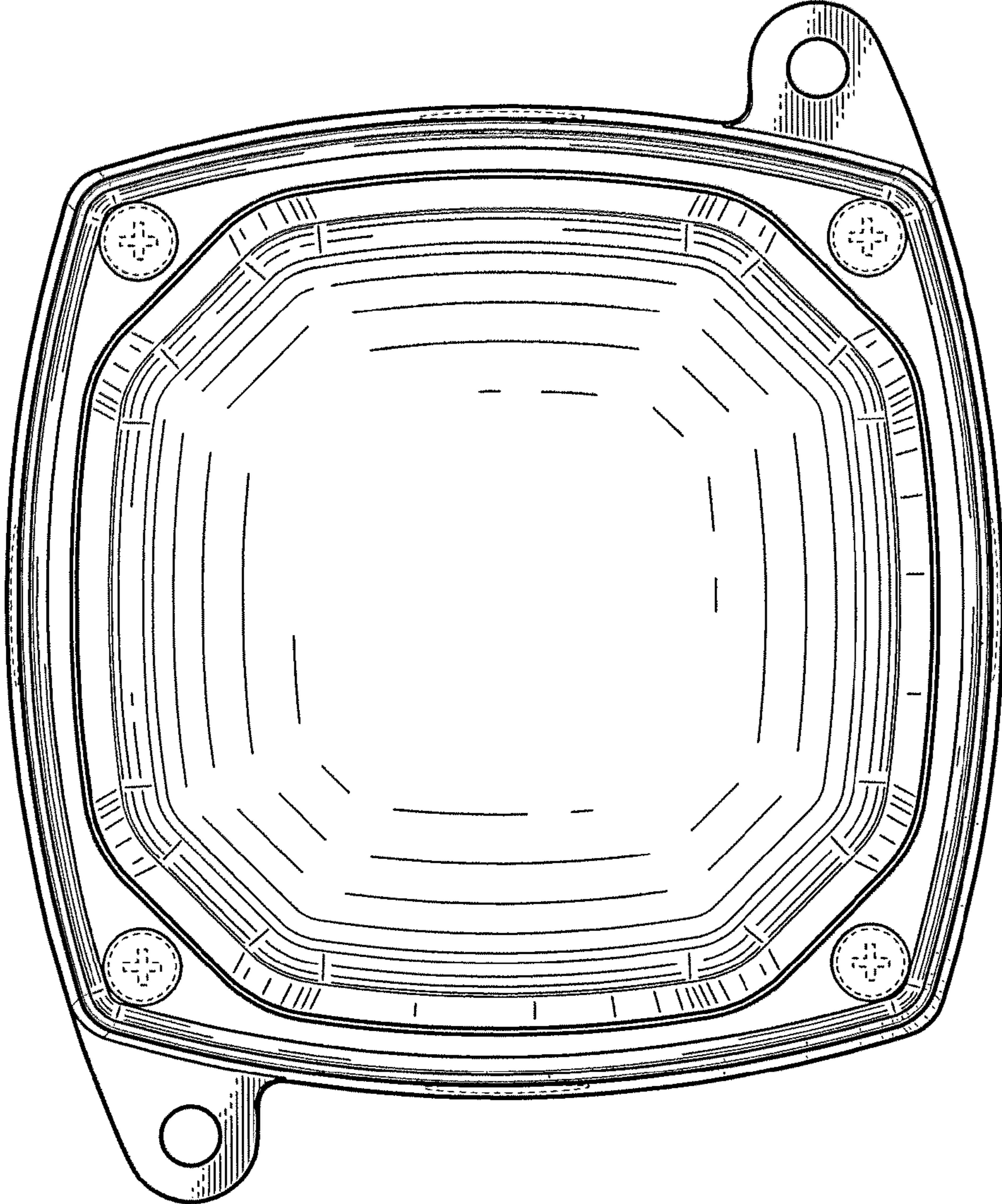


FIG. 7