



US00D759284S

(12) **United States Design Patent**
De Bevilacqua et al.

(10) **Patent No.:** **US D759,284 S**
(45) **Date of Patent:** **** Jun. 14, 2016**

(54) **LIGHT FIXTURE FOR TABLE OR HANGING LAMP**

(71) Applicant: **Artemide S.p.A.**, Milan (IT)

(72) Inventors: **Carlotta De Bevilacqua**, Milan (IT);
Paola Di Arianello, Milan (IT)

(73) Assignee: **ARTEMIDE S.P.A.**, Milan (IT)

(**) Term: **14 Years**

(21) Appl. No.: **29/504,573**

(22) Filed: **Oct. 7, 2014**

(30) **Foreign Application Priority Data**

Apr. 7, 2014 (EM) 002441618-0006
Apr. 7, 2014 (EM) 002441618-0007

(51) **LOC (10) Cl.** **26-03**

(52) **U.S. Cl.**
USPC **D26/88; D26/104**

(58) **Field of Classification Search**

USPC D26/88, 93, 104, 84, 131, 135
CPC F21V 17/002; F21V 21/008; F21V 21/02;
F21V 21/03; F21V 21/112; F21S 6/00;
F21S 6/002; F21S 8/04; F21S 8/06; F21S
8/061; F21S 8/063

See application file for complete search history.

(56) **References Cited**

U.S. PATENT DOCUMENTS

D38,432 S * 1/1907 Helfft D26/88
D39,439 S * 8/1908 Wohl et al. D26/131
D48,240 S * 12/1915 Campbell D26/84
1,200,877 A * 10/1916 Sable F21V 21/03
248/343
D49,964 S * 11/1916 Humphrey D26/88
D51,188 S * 8/1917 Snow D26/88
1,380,131 A * 5/1921 Andersen F21S 8/04
362/437
1,686,571 A * 10/1928 Plaut F21S 8/06
362/247
D76,846 S * 11/1928 Arthur D26/131

D86,903 S * 5/1932 Appleman D26/131
D105,452 S * 7/1937 Poling D26/88
2,125,358 A * 8/1938 Renholdt F21S 6/002
362/134
3,949,350 A * 4/1976 Smith F21S 6/002
362/231
4,222,093 A * 9/1980 Garcia F21V 21/03
362/147
5,034,869 A * 7/1991 Choi F21V 21/02
248/343
D427,334 S * 6/2000 Ho D26/2
D427,695 S * 7/2000 Ho D26/2
D427,711 S * 7/2000 Mosser D26/131
D471,651 S * 3/2003 Bobel D26/2
D494,310 S * 8/2004 Cline D26/128
D563,593 S * 3/2008 Audrito D26/104

(Continued)

Primary Examiner — Clare E Heflin

(74) *Attorney, Agent, or Firm* — FisherBroyles, LLP; Robert Kinberg

(57) **CLAIM**

We claim the ornamental design for a light fixture for table or hanging lamp, as shown and described.

DESCRIPTION

FIG. 1 is a perspective view of a light fixture for table or hanging lamp, according to a first embodiment of the invention;

FIG. 2 is a front view thereof;

FIG. 3 is a rear view thereof;

FIG. 4 is a left side view thereof;

FIG. 5 is a right side view thereof;

FIG. 6 is a top view thereof; and

FIG. 7 is a bottom view thereof.

FIG. 8 is a perspective view of a light fixture for table or hanging lamp, according to a second embodiment of the invention;

FIG. 9 is a front view thereof;

FIG. 10 is a rear view thereof;

FIG. 11 is a left side view thereof;

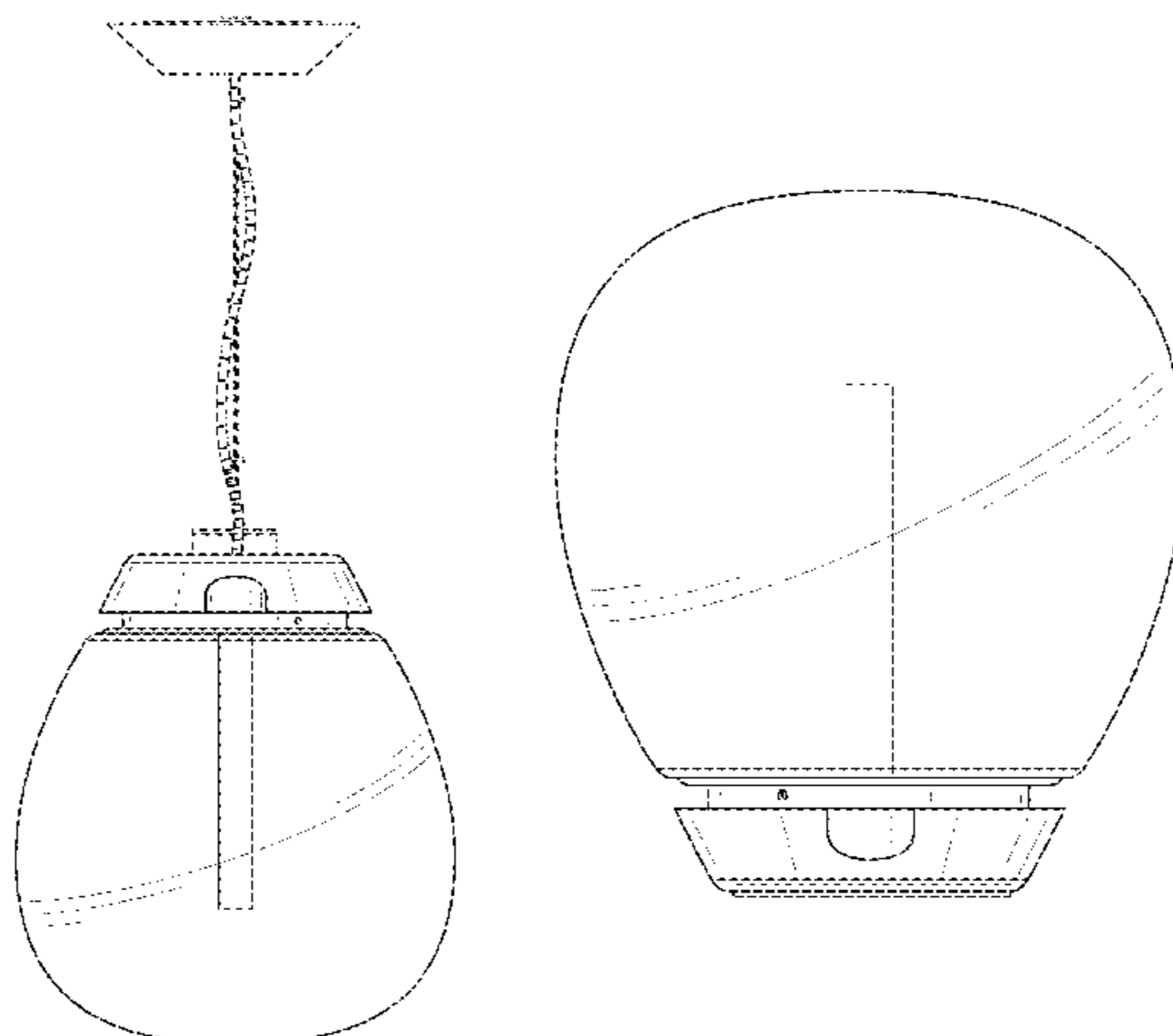
FIG. 12 is a right side view thereof;

FIG. 13 is a top view thereof; and

FIG. 14 is a bottom view thereof.

The broken lines shown on the drawings depict portions of the light fixture that form no part of the claimed design.

1 Claim, 14 Drawing Sheets



(56)

References Cited

U.S. PATENT DOCUMENTS

D670,852 S *	11/2012	Lin	D26/104	2008/0205067 A1*	8/2008	Neeld	F21B 17/10 362/317
D685,517 S *	7/2013	Lu	D26/104	2012/0020057 A1*	1/2012	Lin	F21S 6/005 362/147
D720,492 S *	12/2014	Gatchel	D26/104	2012/0120654 A1*	5/2012	Kobayashi	F21S 8/061 362/235
D729,429 S *	5/2015	Arndt	D26/131	2014/0268803 A1*	9/2014	Keng	F21V 5/04 362/294
D731,107 S *	6/2015	Wu	D26/104					
2004/0099302 A1*	5/2004	Yueh	F21S 9/032 136/251					

* cited by examiner

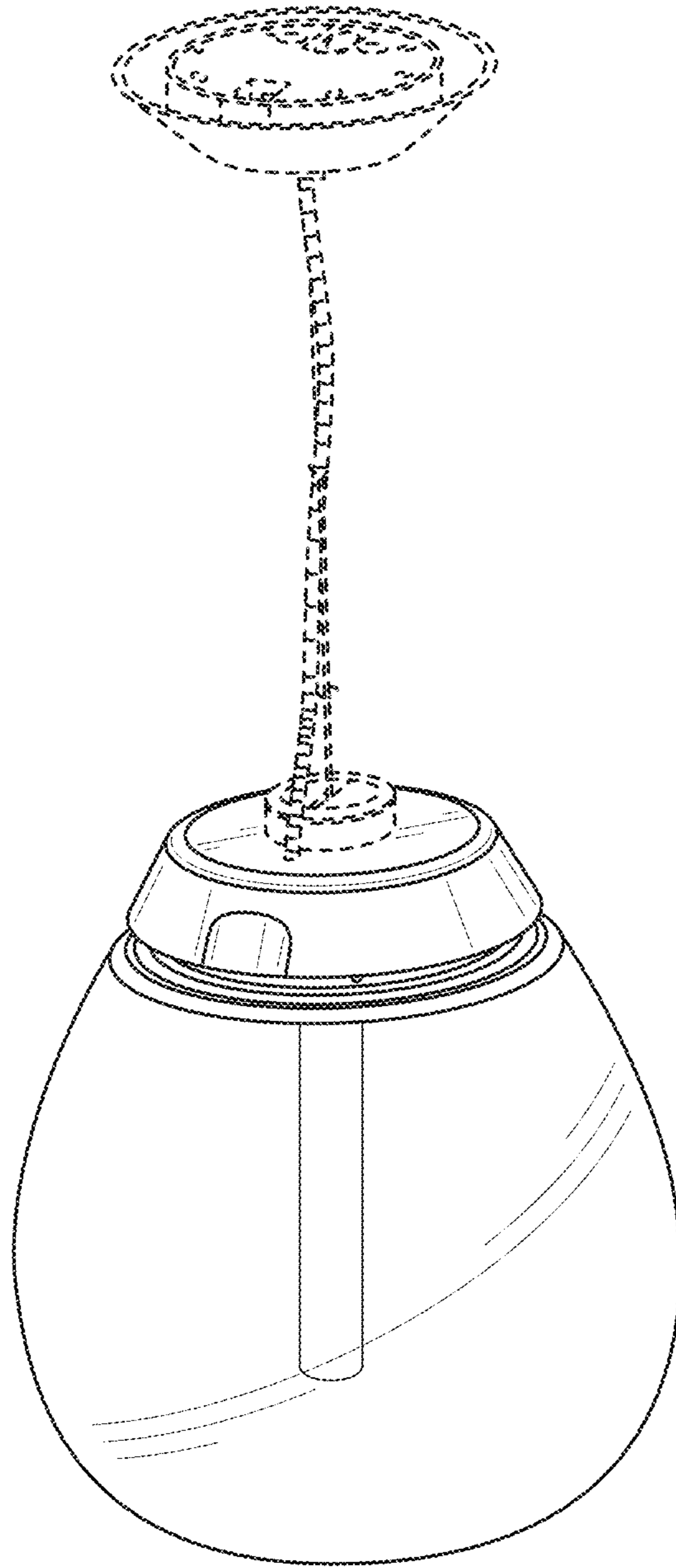


FIG. 1

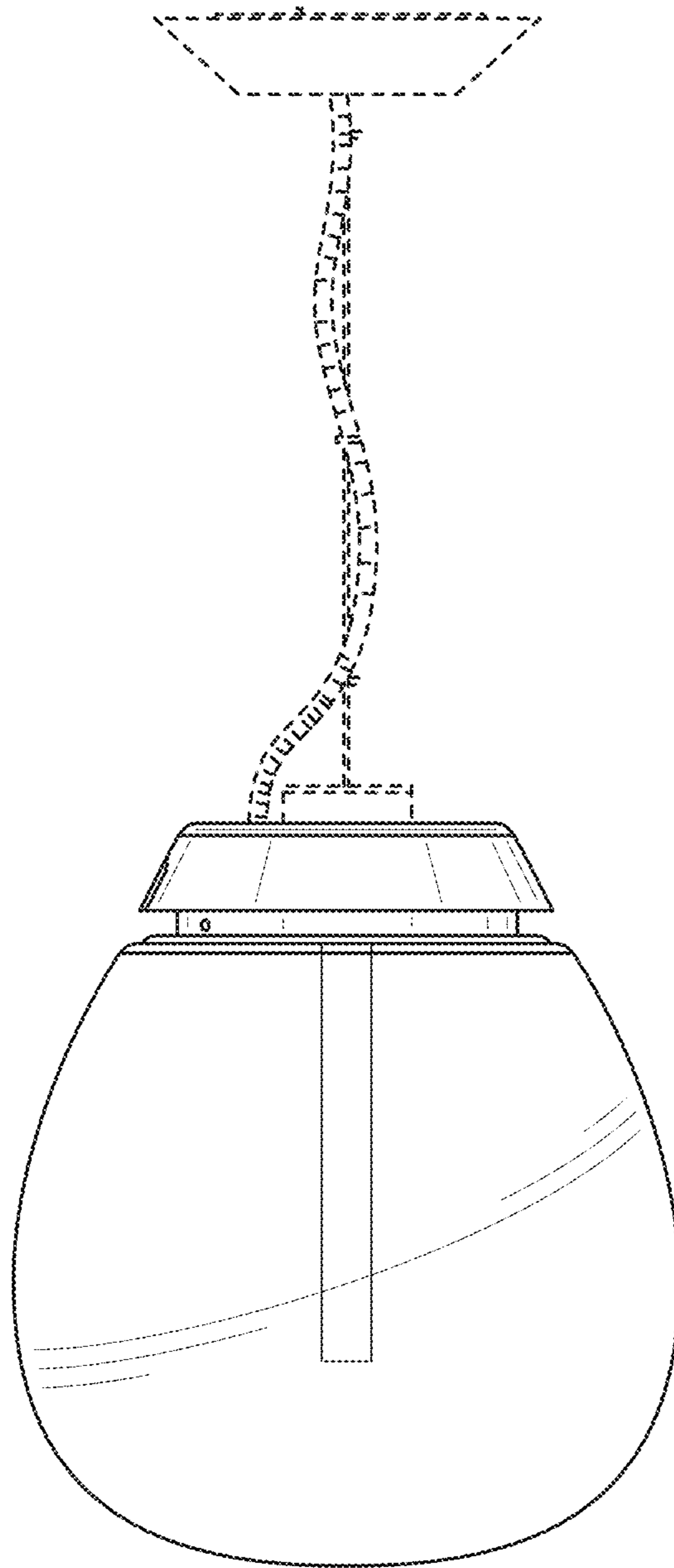


FIG. 2

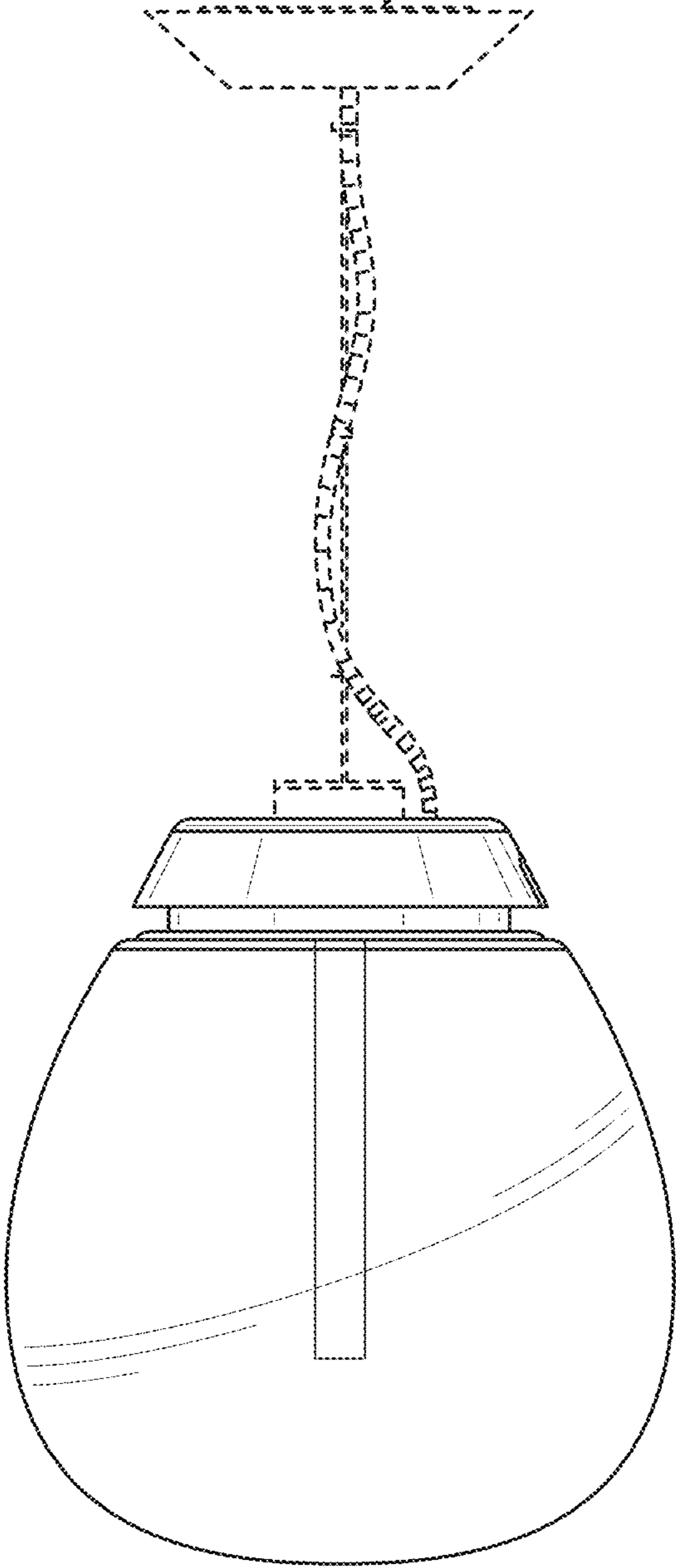


FIG. 3

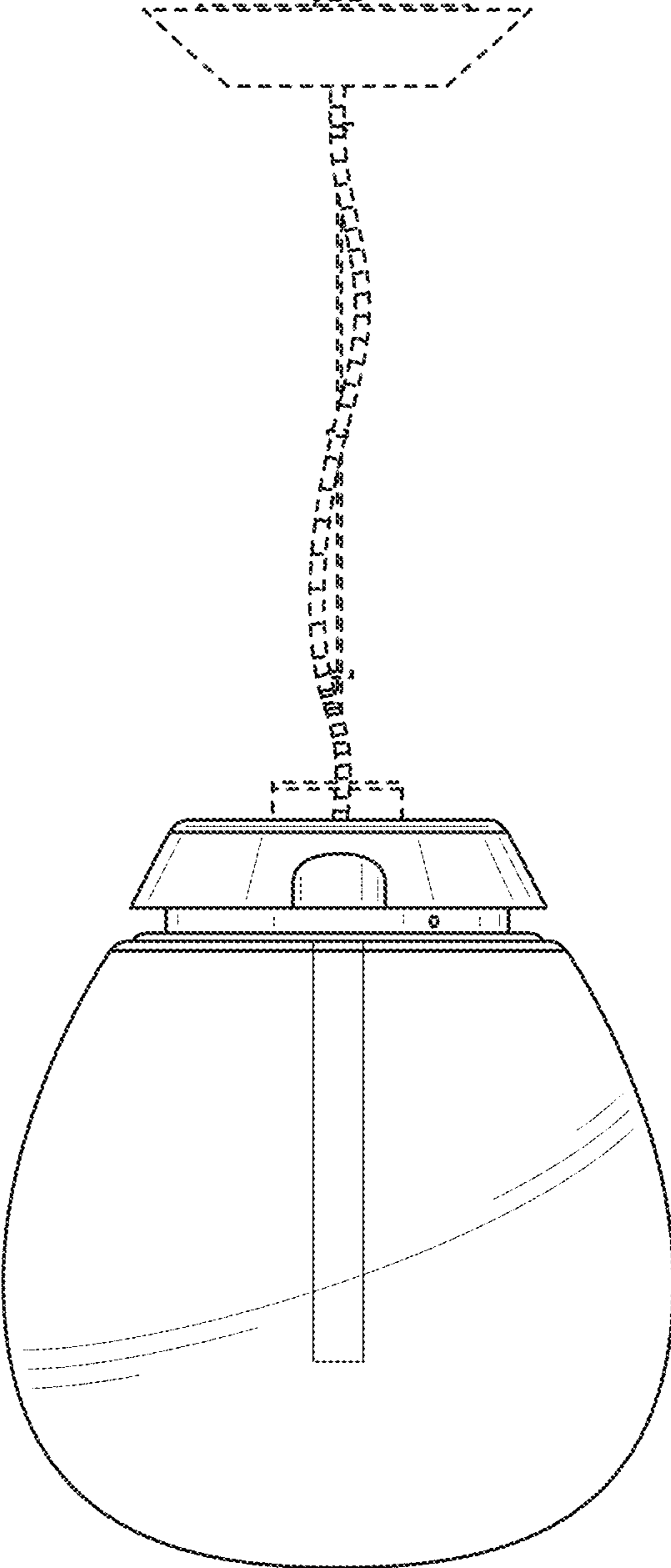


FIG. 4

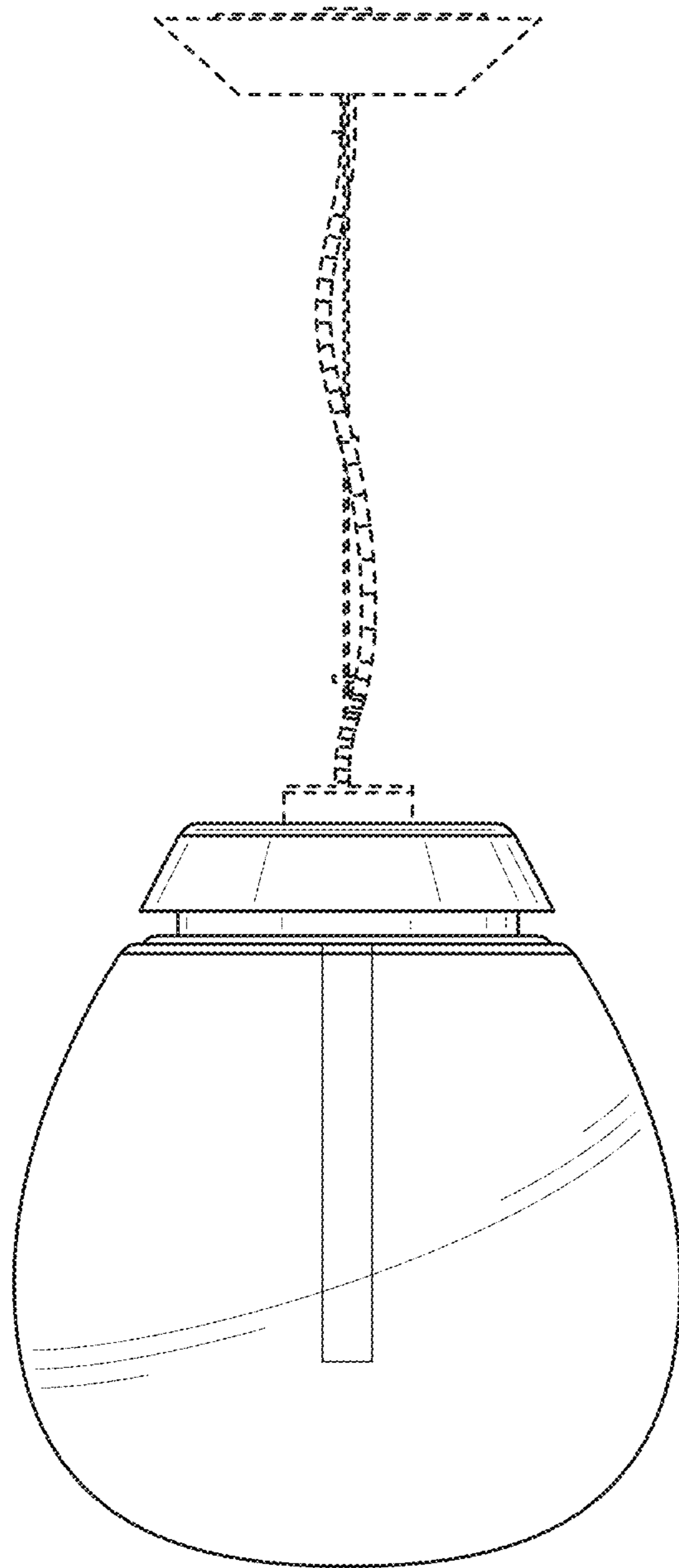


FIG. 5

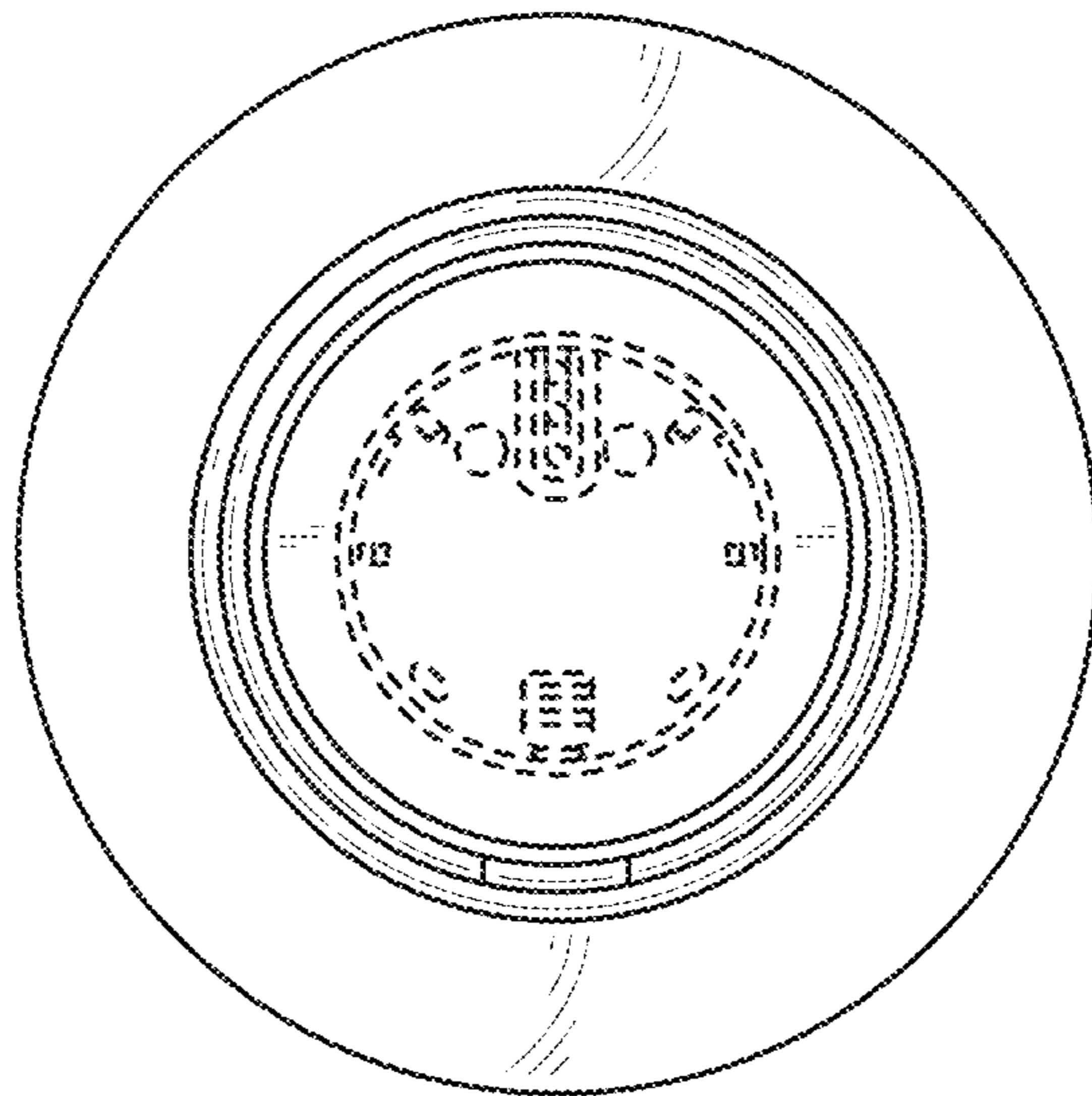


FIG. 6

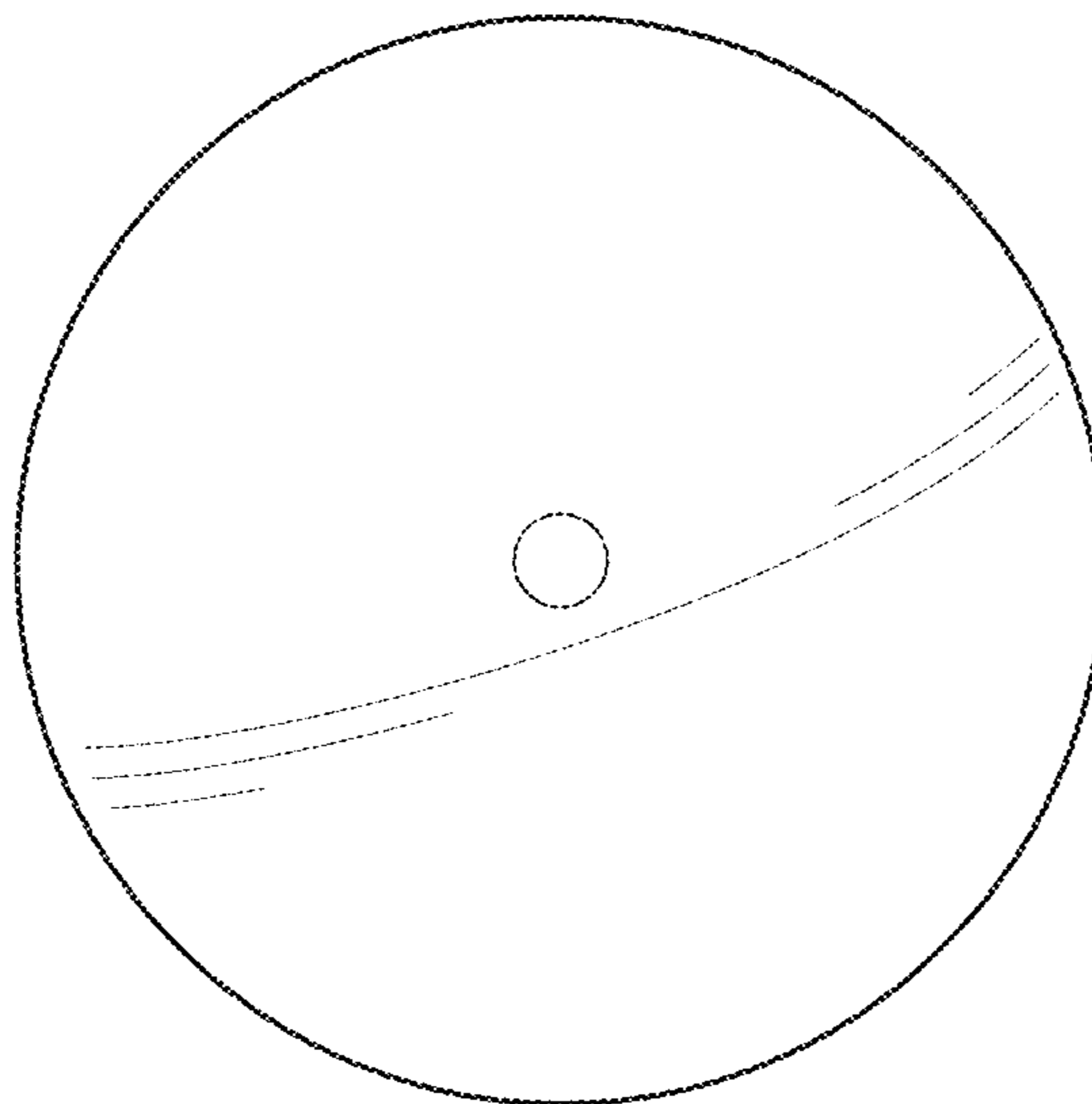


FIG. 7

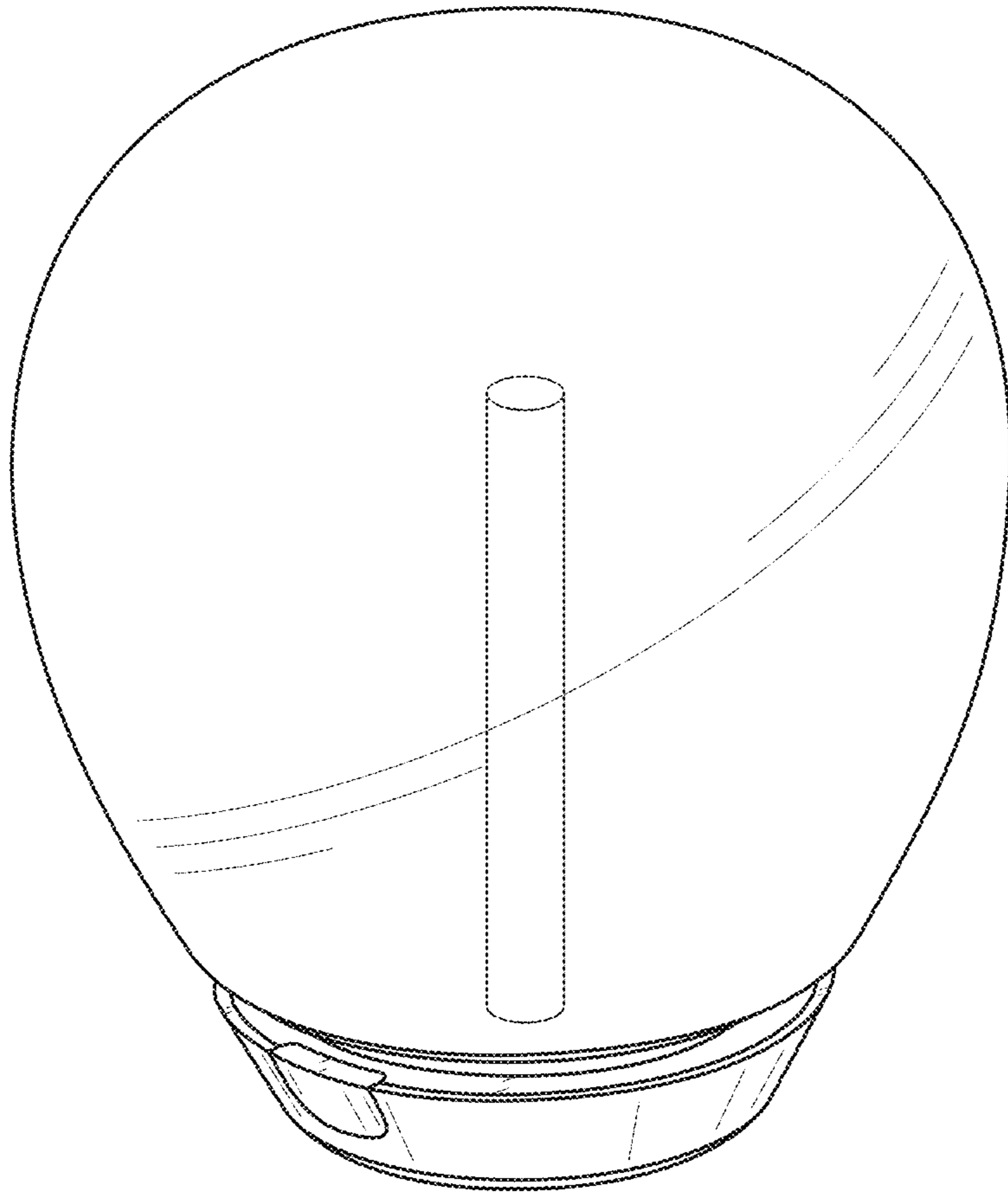


FIG. 8

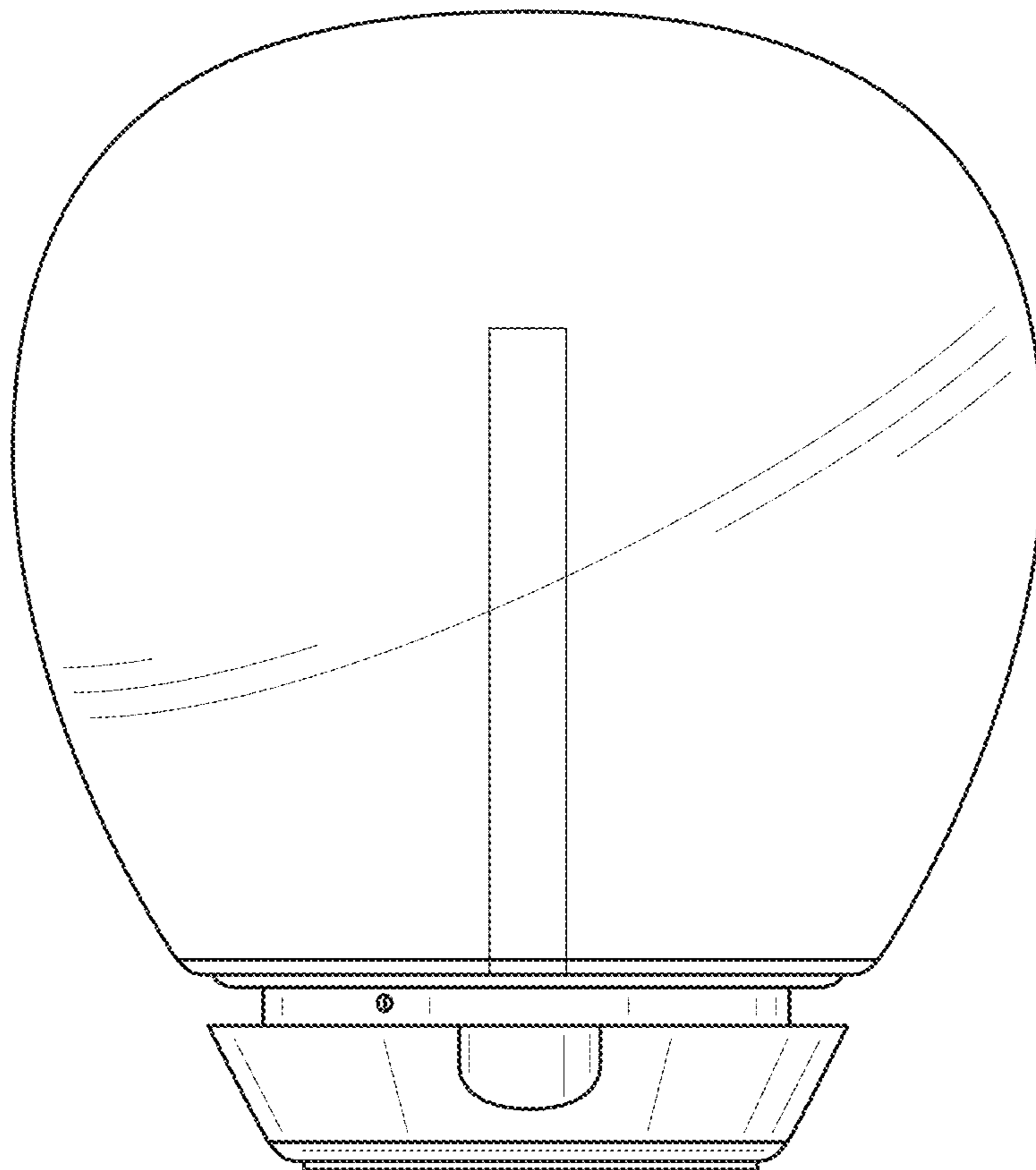


FIG. 9

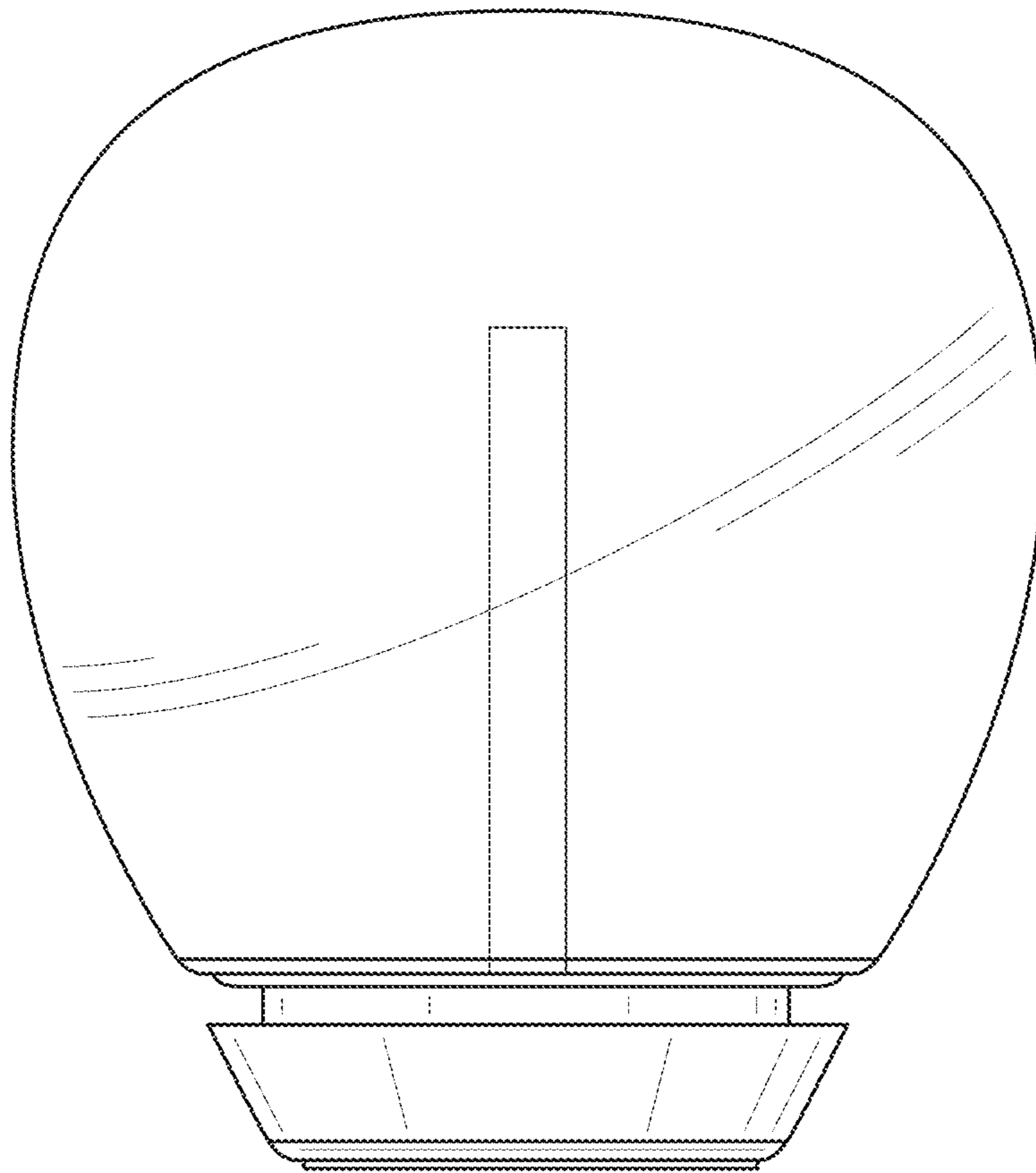


FIG. 10

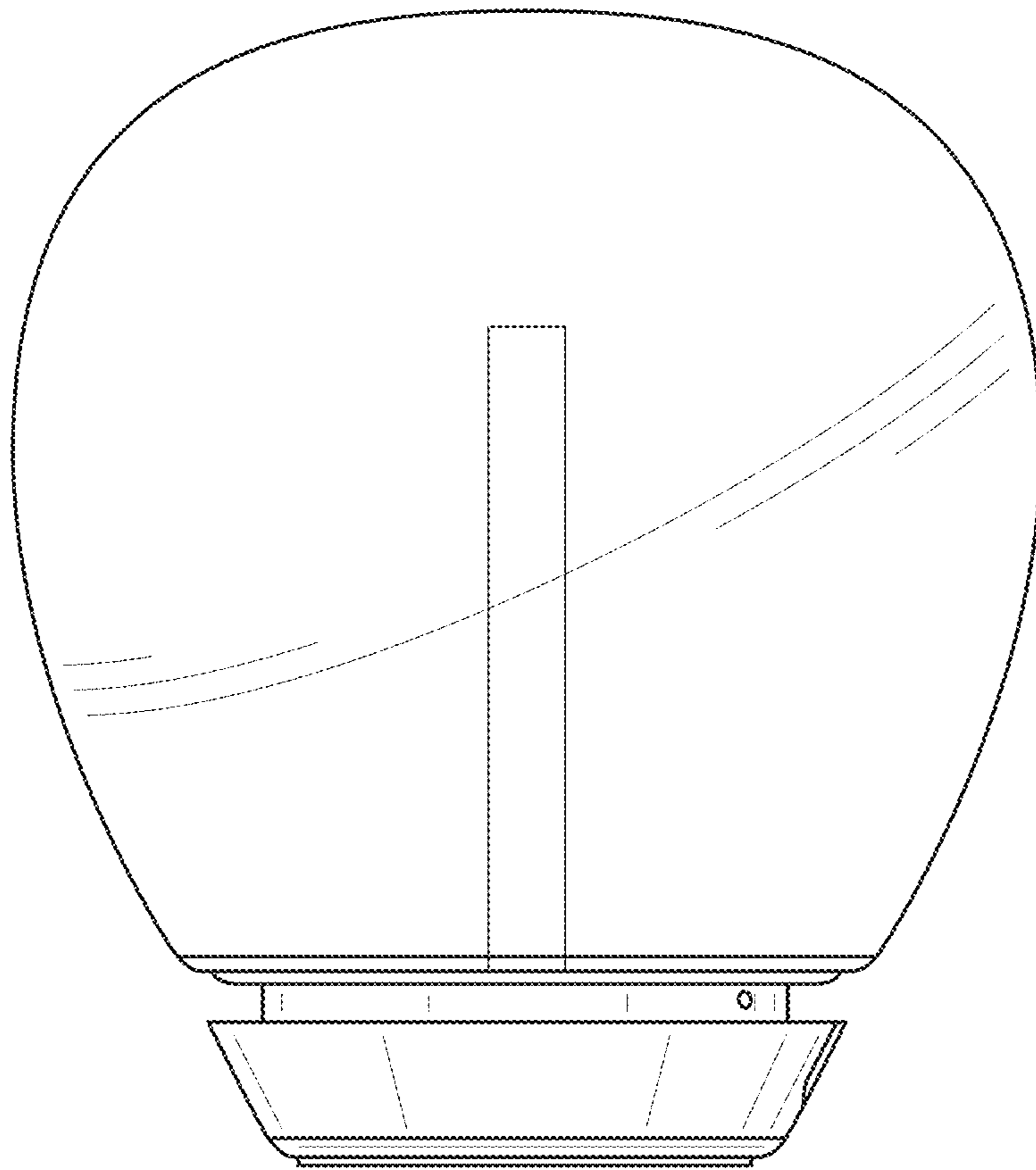


FIG. 11

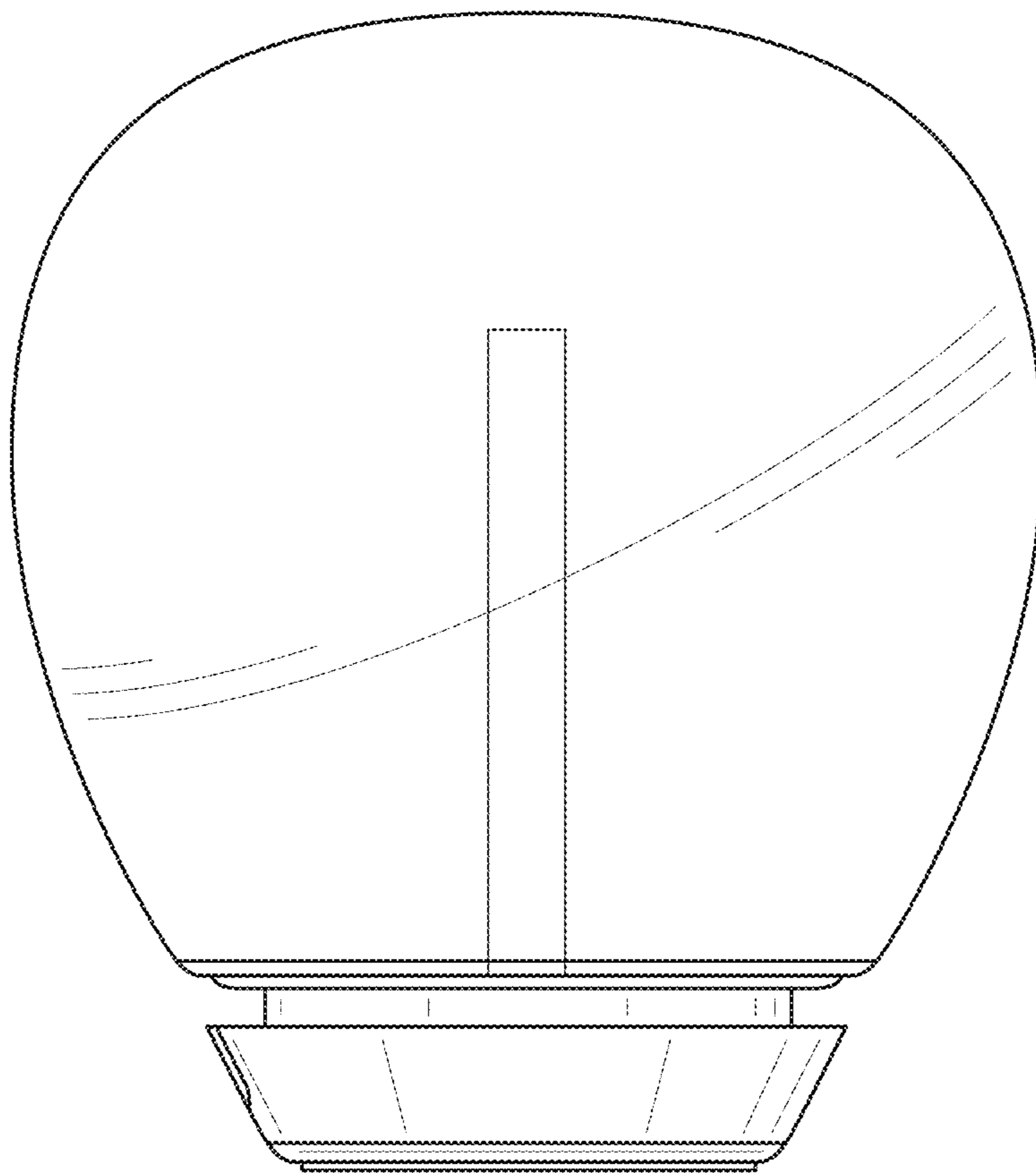


FIG. 12

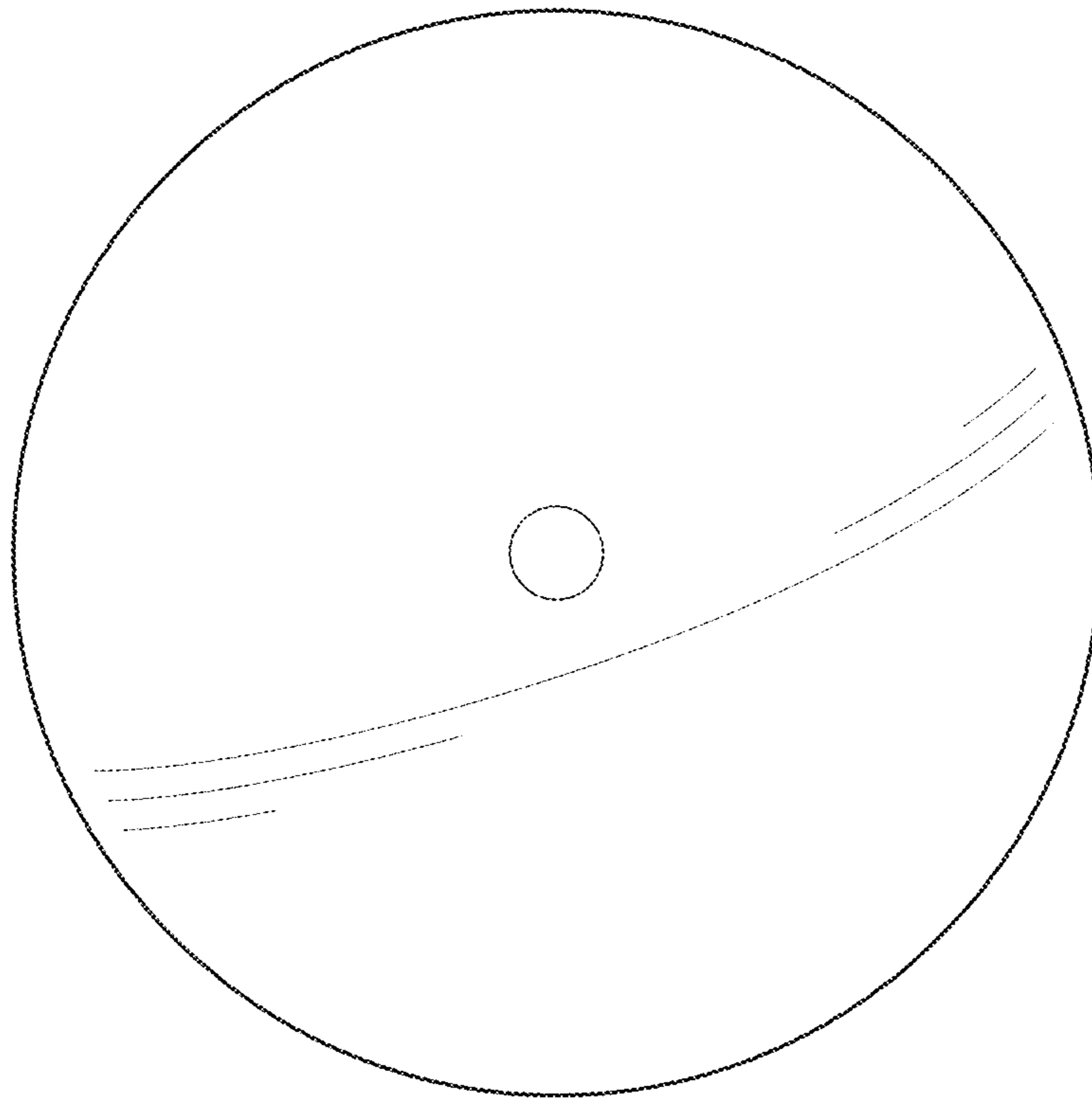


FIG. 13

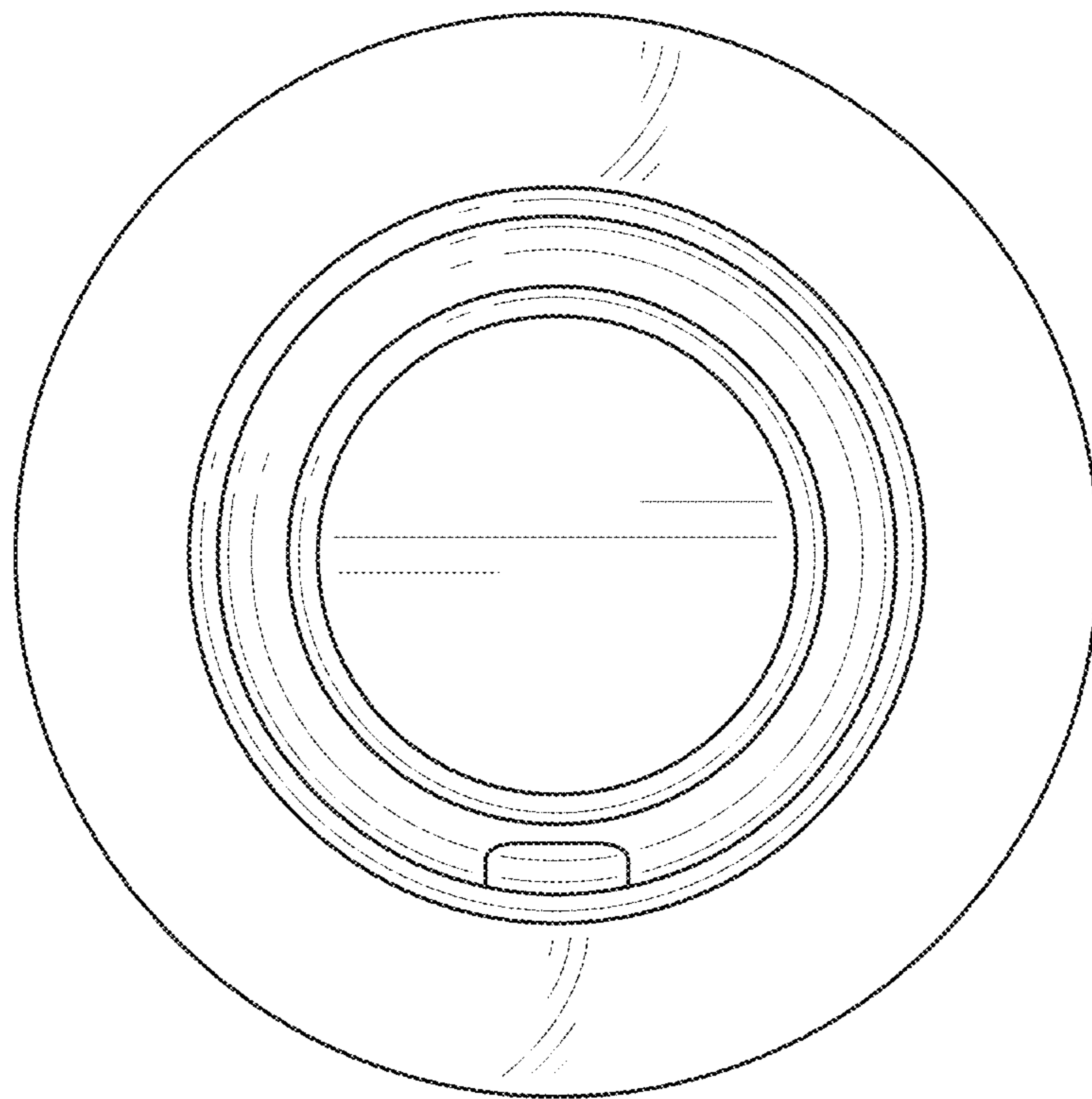


FIG. 14