



US00D759280S

(12) **United States Design Patent**
Möller et al.

(10) **Patent No.:** **US D759,280 S**
(45) **Date of Patent:** **** Jun. 14, 2016**

(54) **SPOTLIGHT**

(56) **References Cited**

(71) Applicant: **ARNOLD & RICHTER CINE
TECHNIK GMBH & CO BETRIEBS
KG, Munich (DE)**

U.S. PATENT DOCUMENTS

(72) Inventors: **Andreas Möller, Munich (DE); Heinz J.
Ostermann, Munich (DE); Erwin
Melzner, Frasdorf (DE); Michael
Jonischkeit, Alxing (DE); Klaus-Dieter
Stegmaier, Viechtach (DE)**

D439,356 S *	3/2001	Martinson et al.	D26/63
D606,690 S *	12/2009	Orrom et al.	D26/61
D699,382 S *	2/2014	Moller et al.	D26/63
D728,840 S *	5/2015	Eustace	D26/63
D735,385 S *	7/2015	Lee et al.	D26/63
D735,388 S *	7/2015	Schlegel	D26/63

* cited by examiner

(73) Assignee: **Arnold & Richter Cine Technik GmbH
& Co. Betriebs KG, Munich (DE)**

Primary Examiner — Brian N Vinson

(74) *Attorney, Agent, or Firm* — Lewis Roca Rothgerber
Christie LLP

(**) Term: **14 Years**

(57) **CLAIM**

(21) Appl. No.: **29/504,544**

The ornamental design for a spotlight, as shown and
described.

(22) Filed: **Oct. 7, 2014**

DESCRIPTION

(30) **Foreign Application Priority Data**

Apr. 7, 2014 (DE) 40 2014 100 337

(51) **LOC (10) Cl.** **26-03**

(52) **U.S. Cl.**
USPC **D26/63**

(58) **Field of Classification Search**
USPC D26/1, 24, 61, 63, 65, 85, 92
CPC F21V 21/14; F21V 15/01; F21V 14/02;
F21V 21/30; F21V 21/00; F21V 14/00;
F21S 8/00; F21S 8/003; F21S 8/043; F21Y
2105/001

FIG. 1 is a perspective left front top view of the spotlight from
the left side;
FIG. 2 is a perspective front view thereof;
FIG. 3 is a perspective right side view thereof;
FIG. 4 is a perspective rear view thereof;
FIG. 5 is a perspective left side view thereof;
FIG. 6 is a perspective bottom view thereof; and,
FIG. 7 is a perspective top view thereof.
The broken lines in the drawings are for illustrative purposes
only and form no part of the claimed design.

See application file for complete search history.

1 Claim, 7 Drawing Sheets

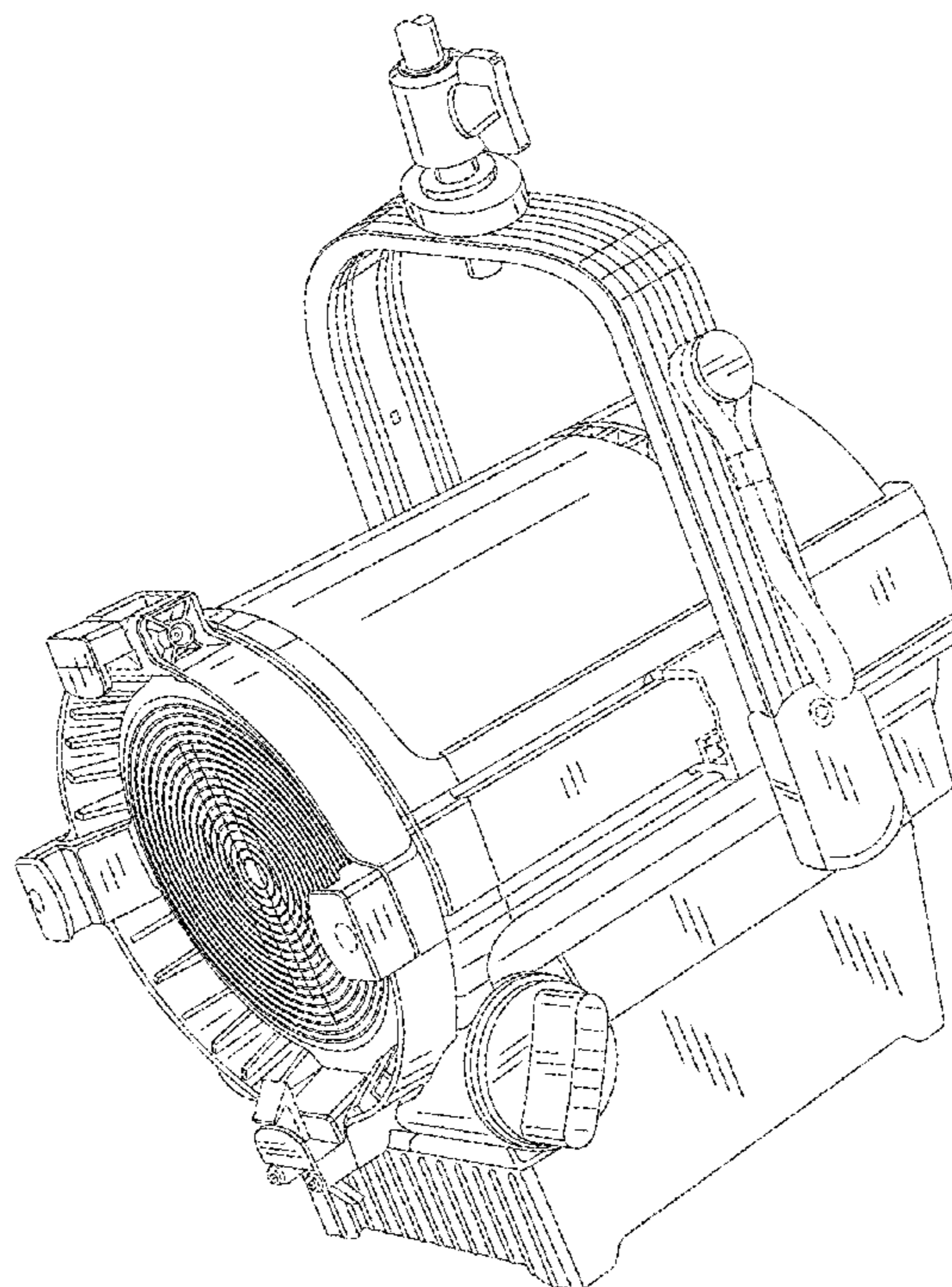


FIG. 1

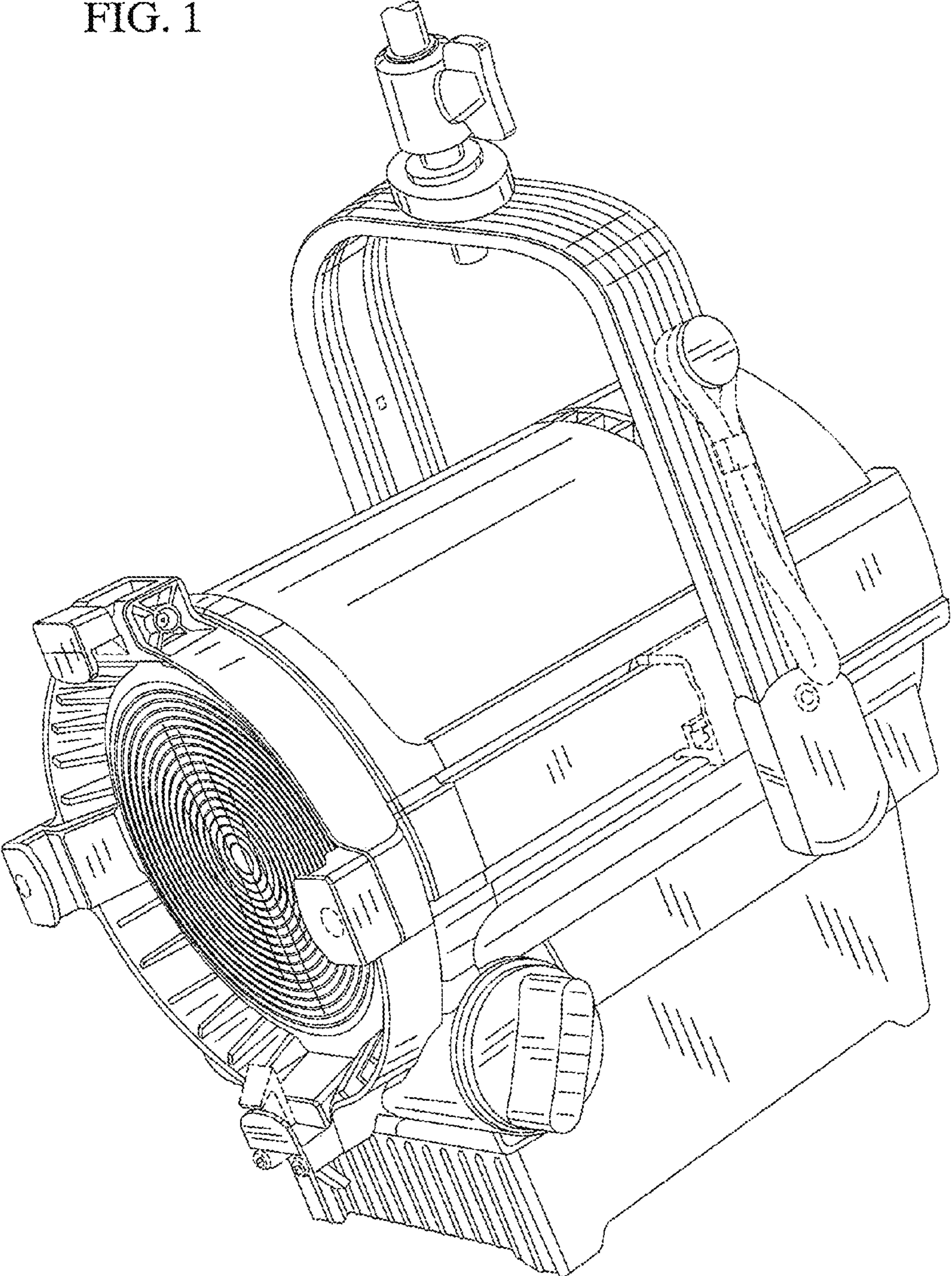


FIG. 2

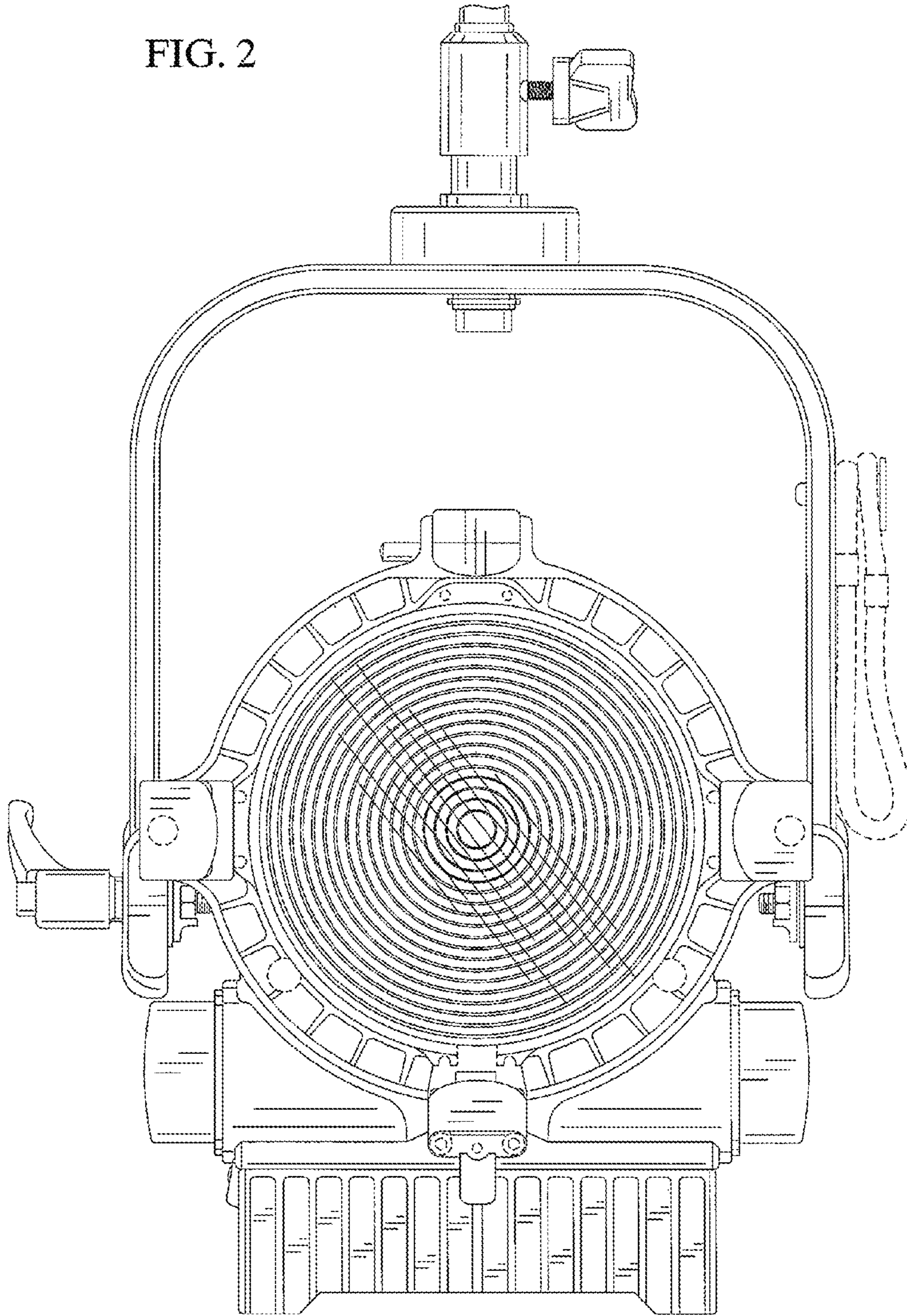
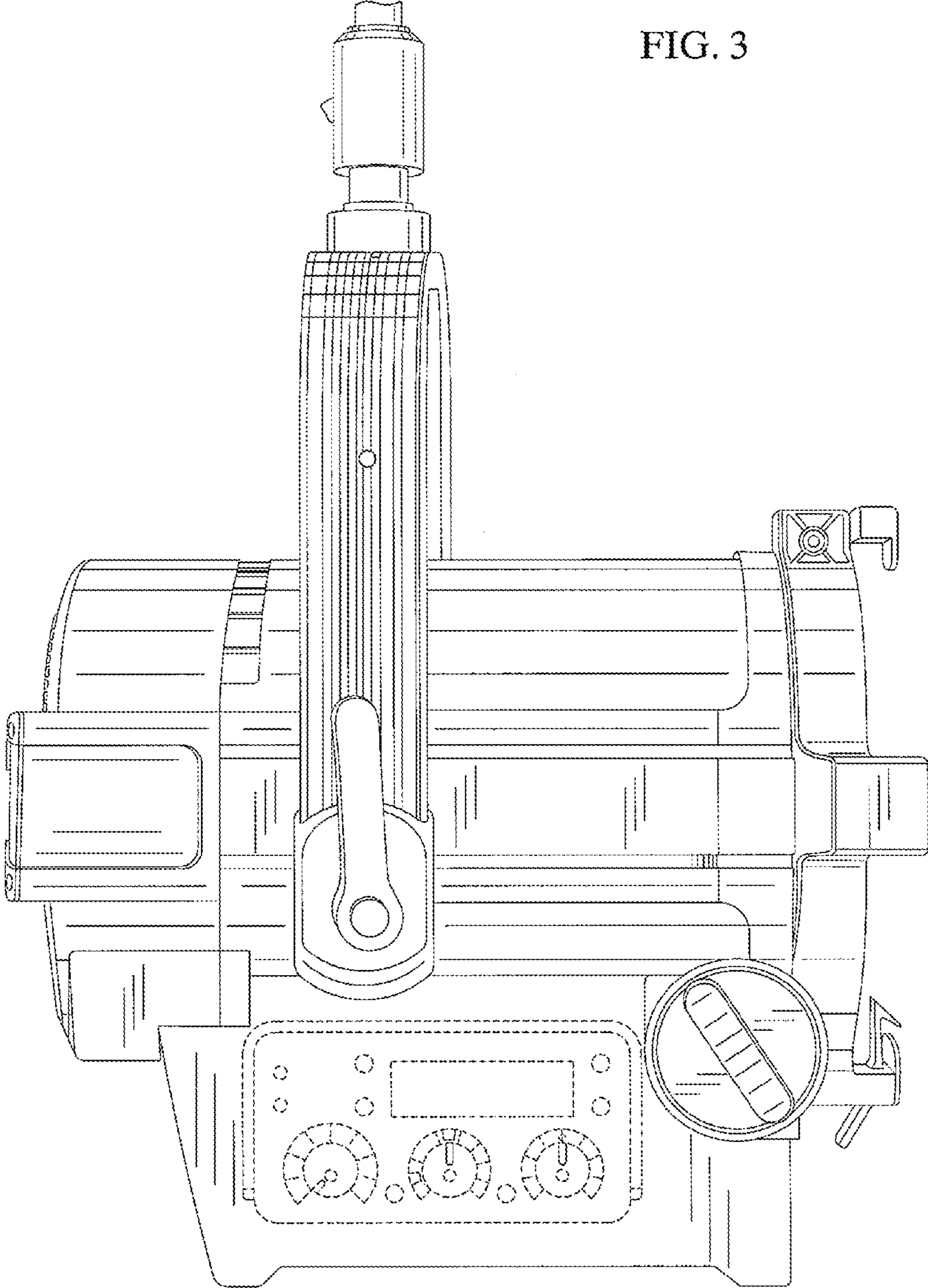


FIG. 3



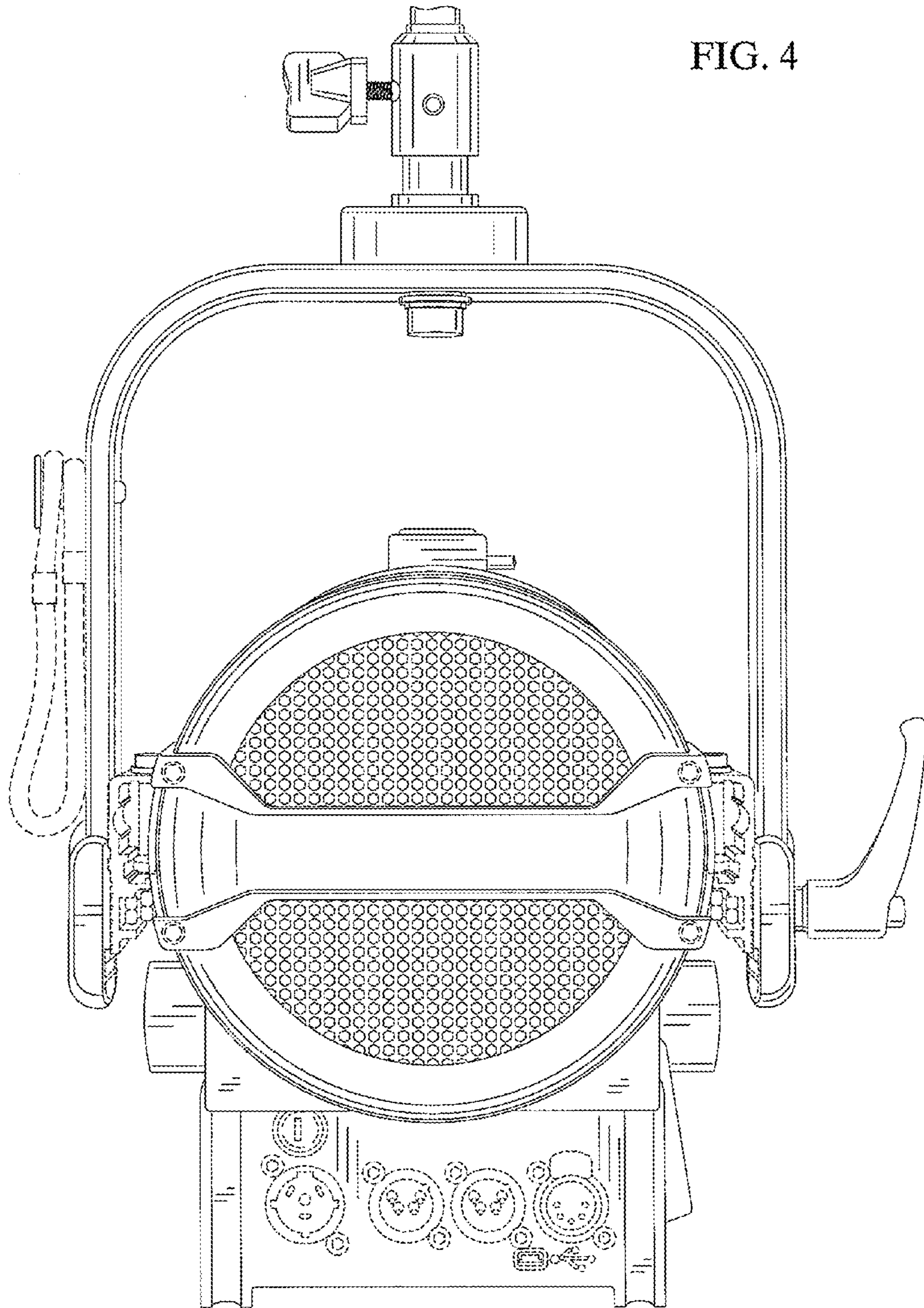


FIG. 4

FIG. 5

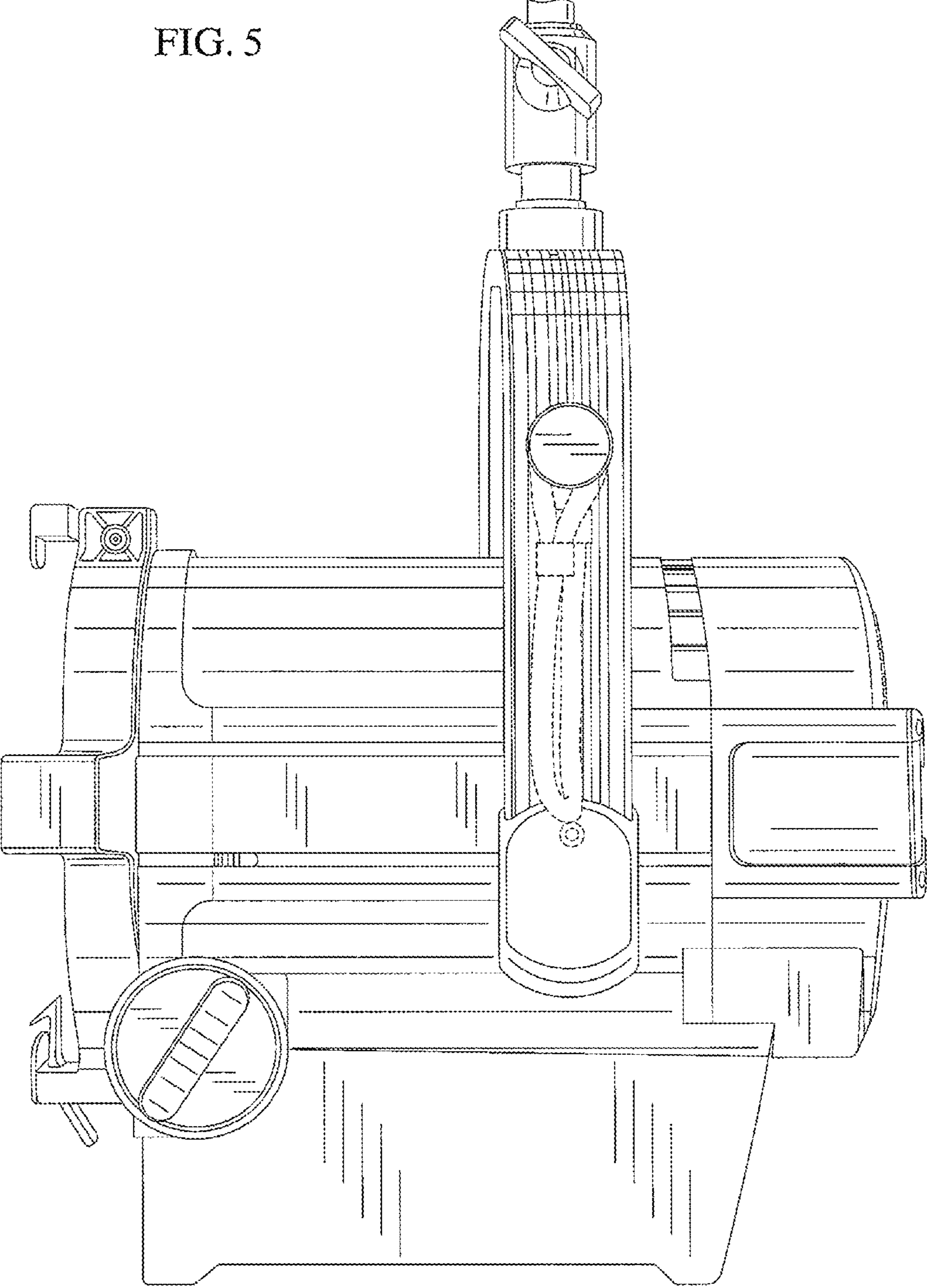


FIG. 6

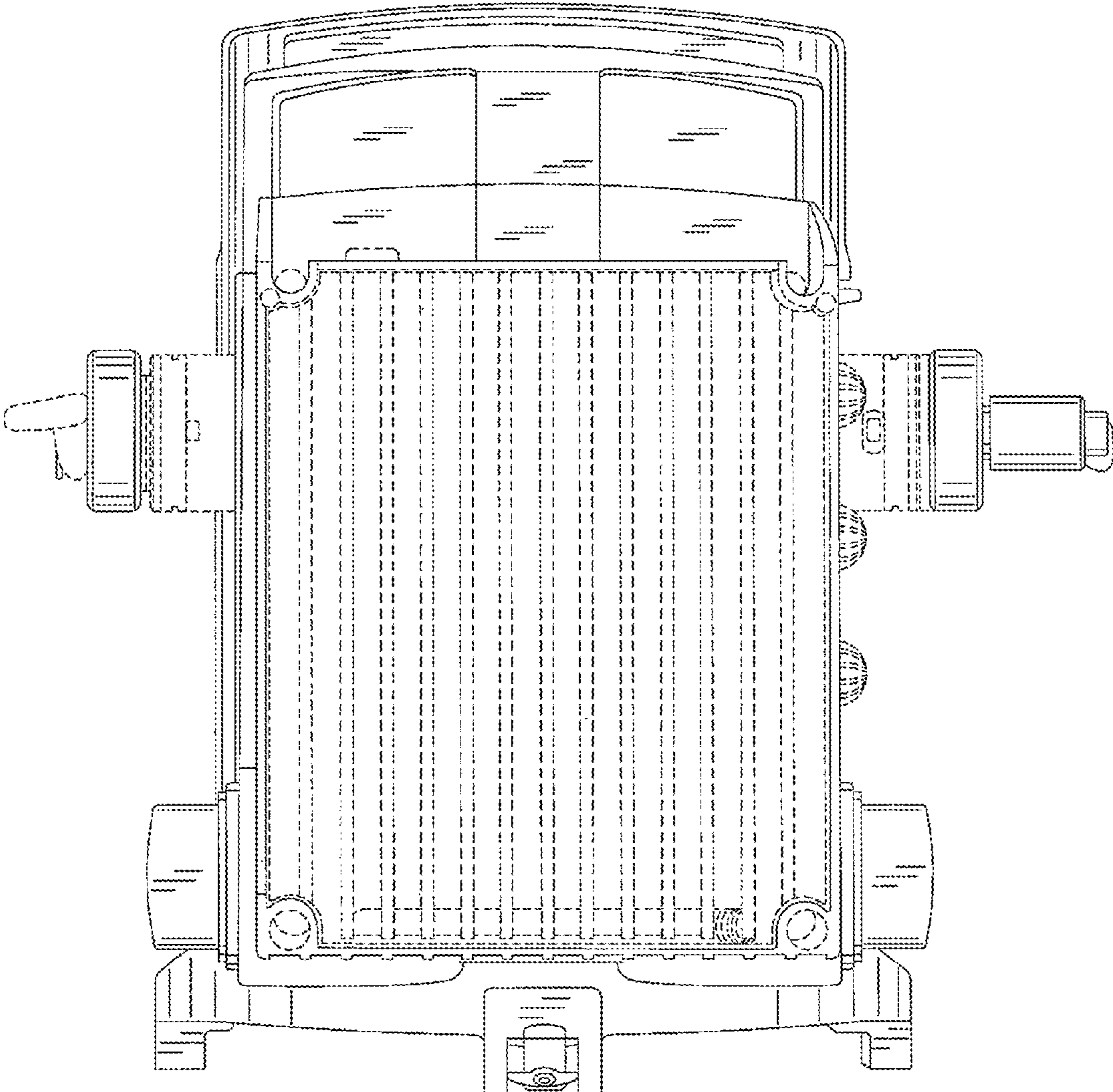


FIG. 7

