



US00D759279S

(12) **United States Design Patent**  
**Brands et al.**

(10) **Patent No.:** **US D759,279 S**  
(45) **Date of Patent:** **\*\* Jun. 14, 2016**

(54) **FLASHLIGHT TAILCAP**

(75) Inventors: **David C. Brands**, Portland, OR (US);  
**David Dohna Lewin**, Portland, OR (US)

(73) Assignee: **Coast Cutlery Co.**, Portland, OR (US)

(\*\*) Term: **14 Years**

(21) Appl. No.: **29/420,493**

(22) Filed: **May 9, 2012**

(51) **LOC (10) Cl.** ..... **D26-02**

(52) **U.S. Cl.**  
USPC ..... **D26/37; D26/113**

(58) **Field of Classification Search**  
USPC ..... D26/49, 39, 51, 113, 37, 46; 362/157,  
362/158, 183, 184, 194–196, 202–208, 253  
See application file for complete search history.

(56) **References Cited**

**U.S. PATENT DOCUMENTS**

D530,439 S *	10/2006	Maglica .....	D26/49
D532,138 S *	11/2006	Wang et al. ....	D26/49
D576,757 S *	9/2008	Hesse et al. ....	D26/49
D577,845 S *	9/2008	Shiu .....	D26/49
D596,772 S *	7/2009	Chang .....	D26/49
7,604,371 B2 *	10/2009	Bushee et al. ....	362/206
D627,030 S *	11/2010	Sellers .....	D22/108
D629,542 S *	12/2010	Robinson .....	D26/49
D629,543 S *	12/2010	Deguglimo et al. ....	D26/49
D639,477 S *	6/2011	Robinson .....	D26/49
D645,592 S *	9/2011	Brands et al. ....	D26/49
D659,271 S *	5/2012	Nguyen et al. ....	D26/49
D659,870 S *	5/2012	Cooper .....	D26/49
D675,357 S *	1/2013	Shi .....	D26/49
D683,877 S *	6/2013	Brands et al. ....	D26/49
D698,961 S *	2/2014	Dalton .....	D26/49
D709,231 S *	7/2014	Nguyen .....	D26/49
9,010,960 B2 *	4/2015	Kamm .....	362/190

\* cited by examiner

*Primary Examiner* — Ian Simmons  
*Assistant Examiner* — Carissa C Fitts

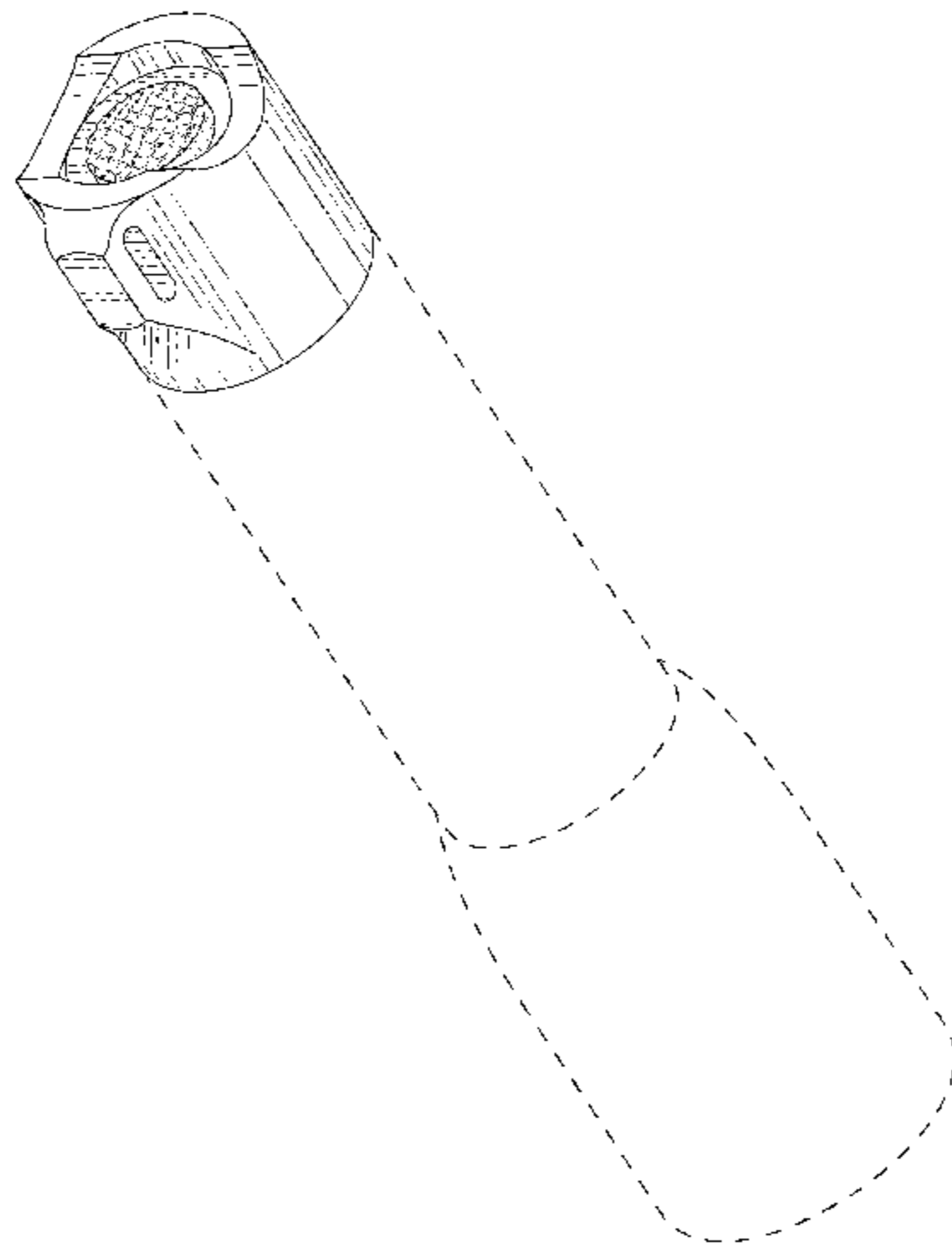
(74) *Attorney, Agent, or Firm* — Schwabe Williamson & Wyatt

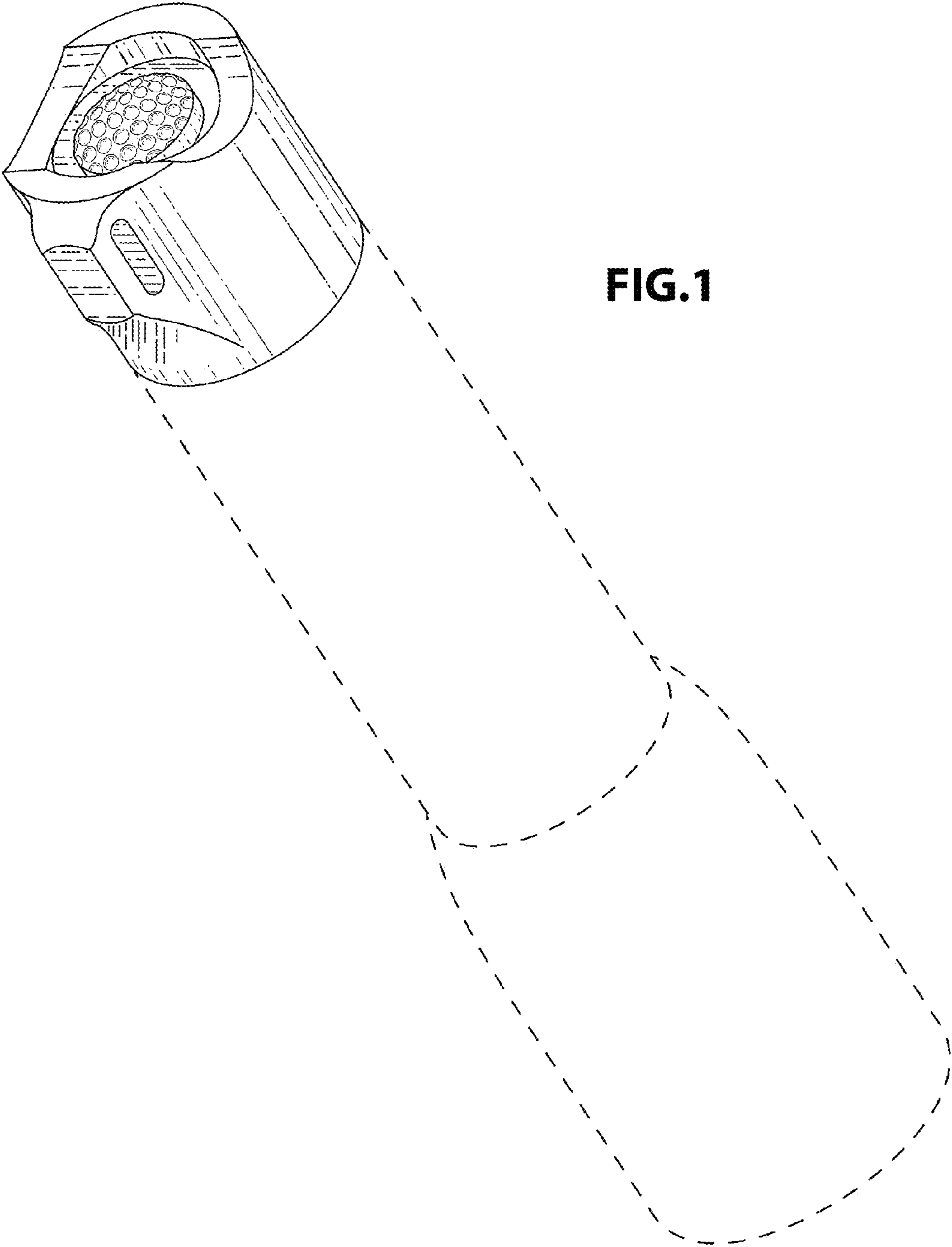
(57) **CLAIM**  
We claim the ornamental design for a flashlight tailcap, as shown and described.

**DESCRIPTION**

FIG. 1 is a perspective view of a first embodiment of the flashlight tailcap;  
 FIG. 2 is a top view of the flashlight tailcap illustrated in FIG. 1;  
 FIG. 3 is a bottom view of the flashlight tailcap illustrated in FIG. 1;  
 FIG. 4 is a left side view of the flashlight tailcap illustrated in FIG. 1, the right side view being a mirror image of the right side view;  
 FIG. 5 is a rear view of the flashlight tailcap illustrated in FIG. 1;  
 FIG. 6 is a perspective view of a second embodiment of the flashlight tailcap;  
 FIG. 7 is a top view of the flashlight tailcap illustrated in FIG. 6;  
 FIG. 8 is a bottom view of the flashlight tailcap illustrated in FIG. 6;  
 FIG. 9 is a left side view of the flashlight tailcap illustrated in FIG. 6, the right side view being a mirror image of the right side view;  
 FIG. 10 is a rear view of the flashlight tailcap illustrated in FIG. 6;  
 FIG. 11 is a perspective view of a third embodiment of the flashlight tailcap;  
 FIG. 12 is a top view of the flashlight tailcap illustrated in FIGS. 11;  
 FIG. 13 is a bottom view of the flashlight tailcap illustrated in FIG. 11;  
 FIG. 14 is a left side view of the flashlight tailcap illustrated in FIG. 11, the right side view being a mirror image of the right side view; and,  
 FIG. 15 is a rear view of the flashlight tailcap illustrated in FIGS. 11.

**1 Claim, 15 Drawing Sheets**





**FIG.1**

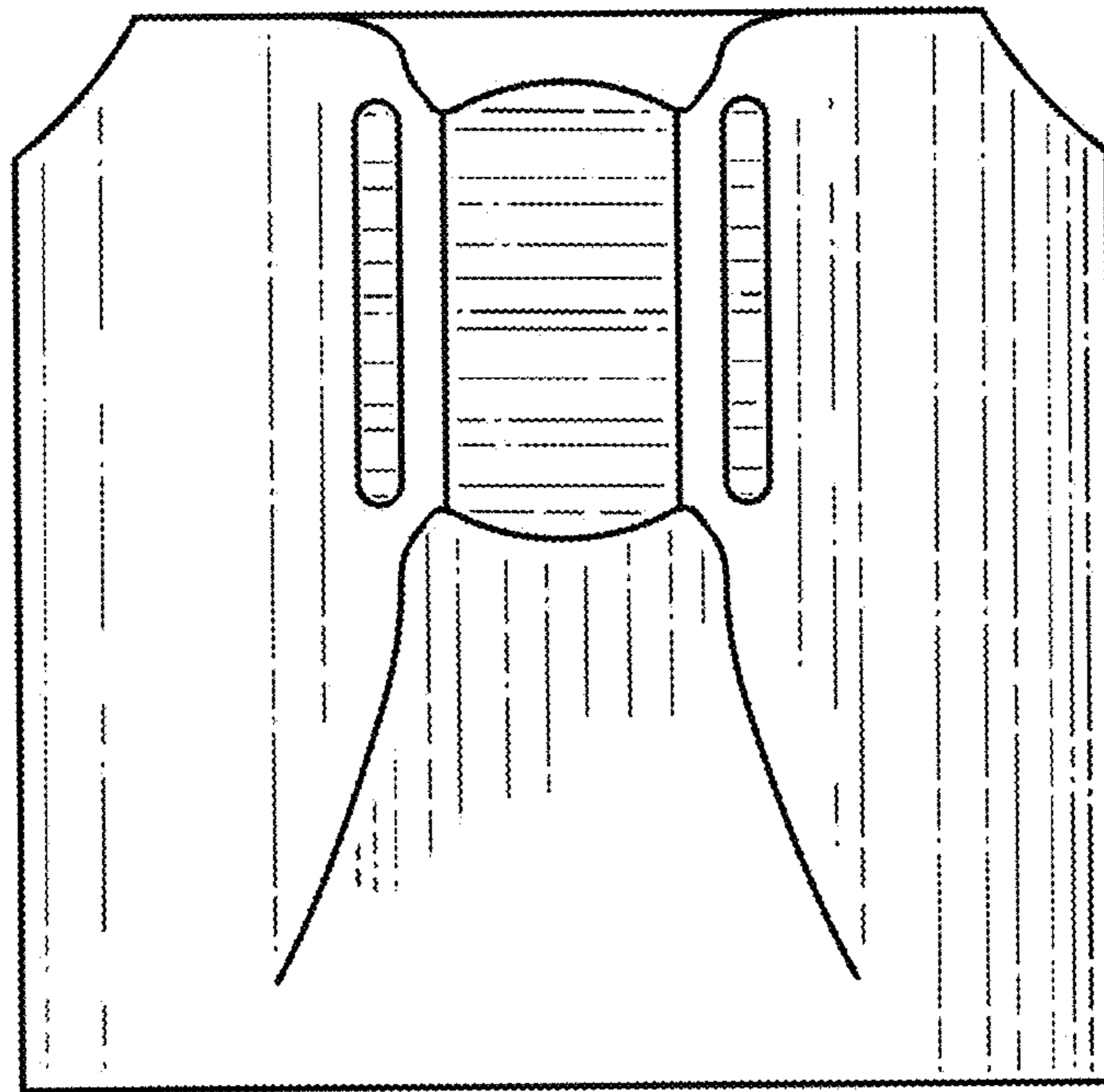
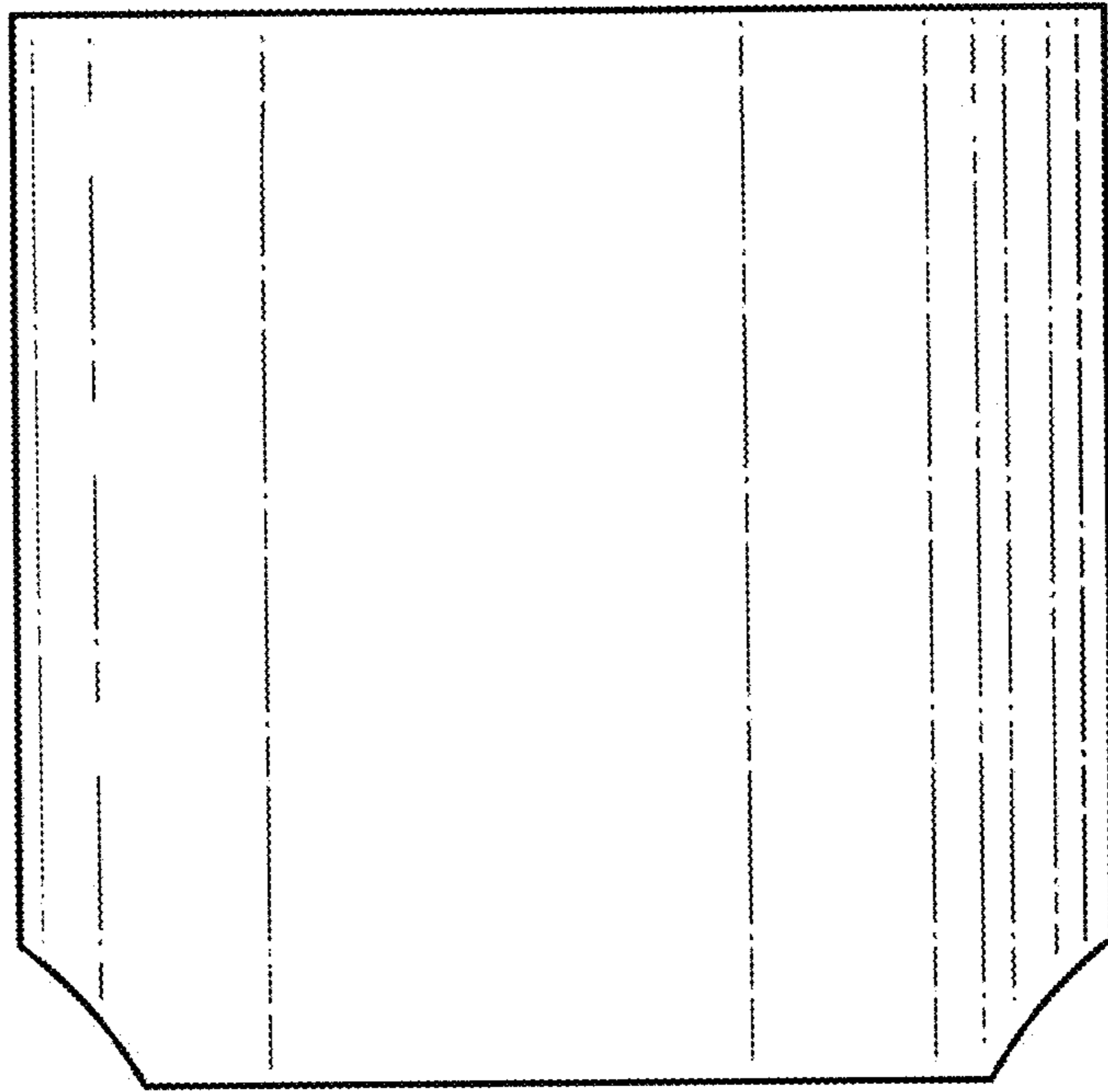


FIG.2



**FIG.3**

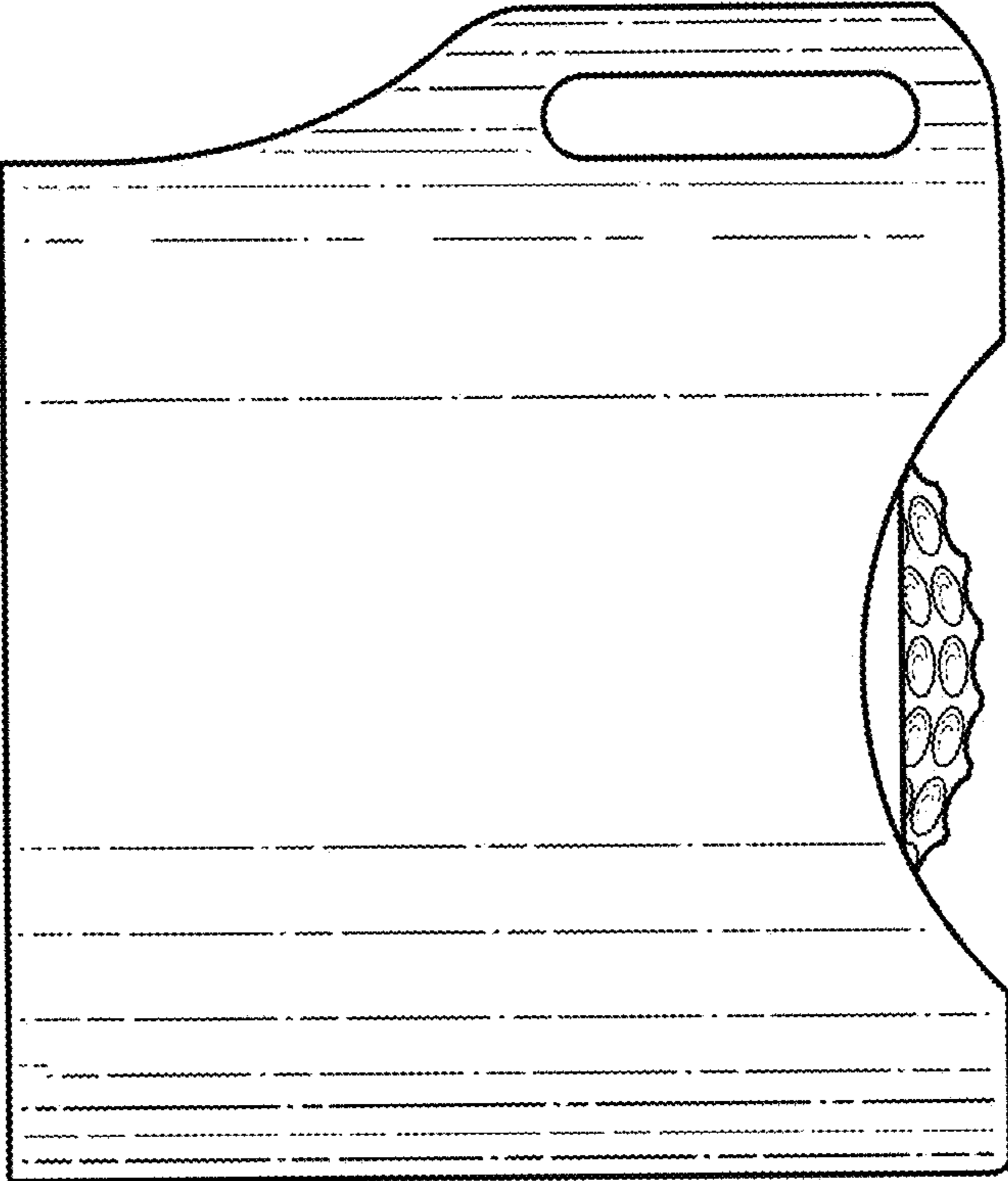


FIG.4

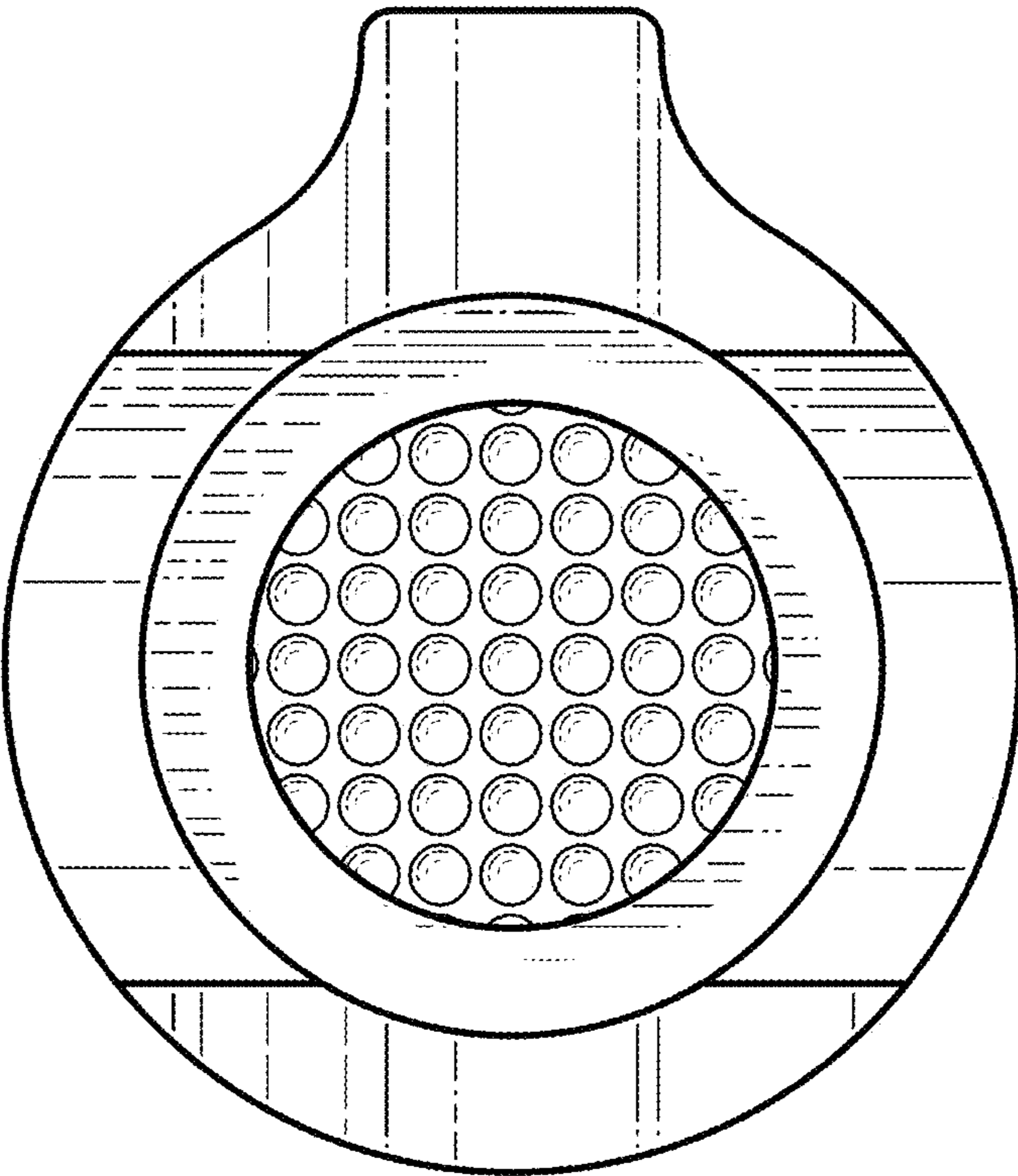
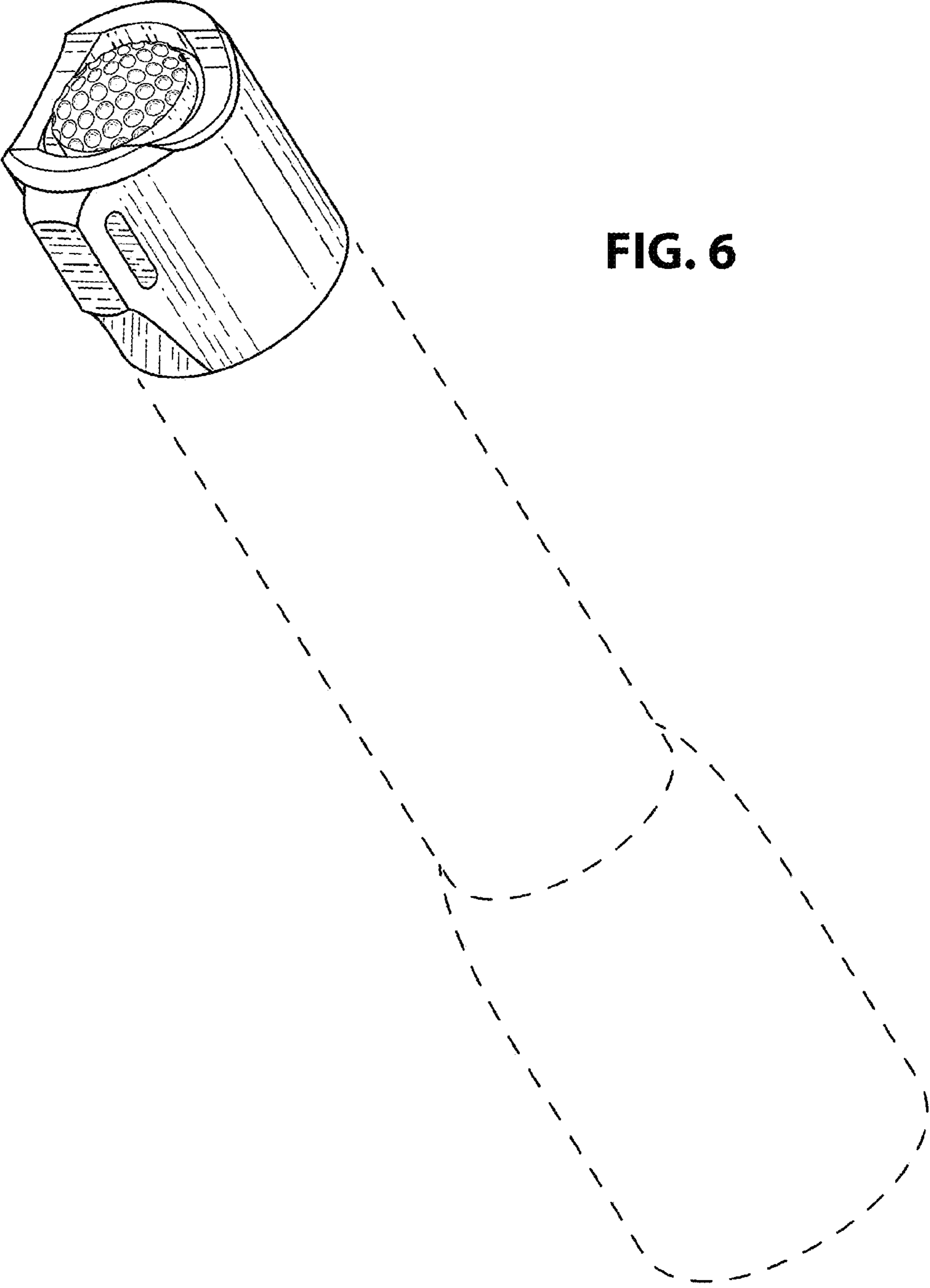


FIG.5



**FIG. 6**

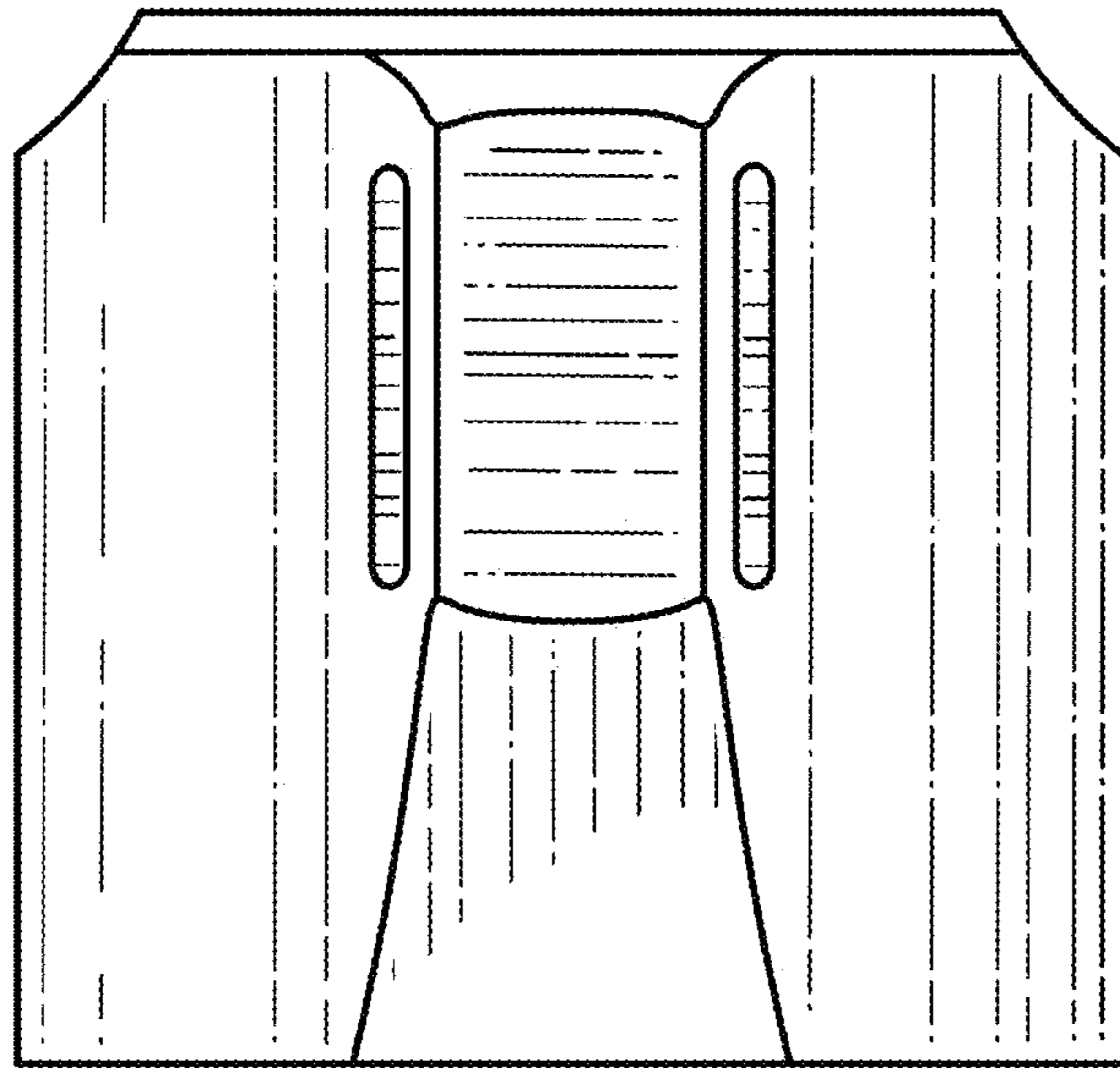
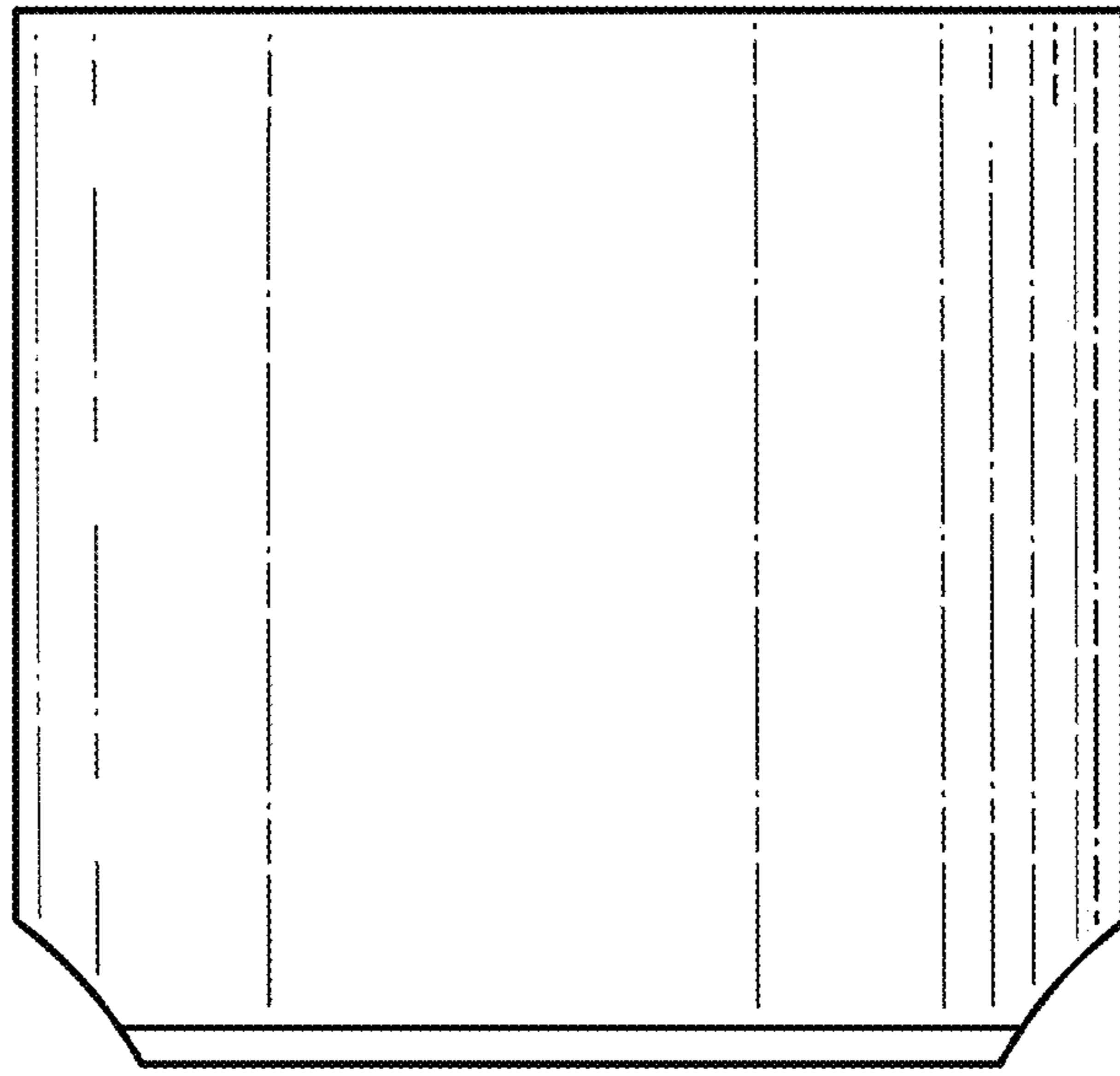


FIG. 7





**FIG. 8**

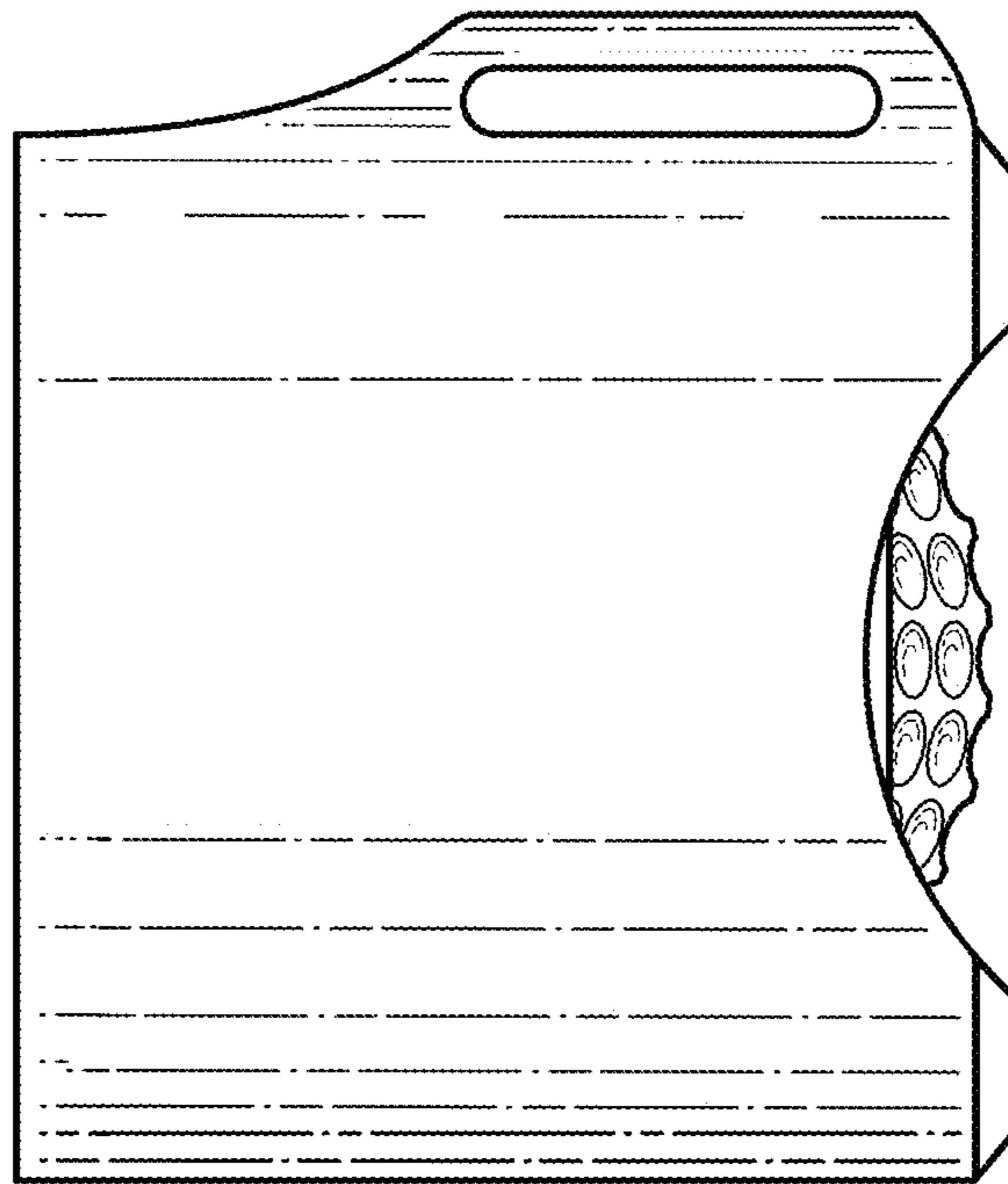
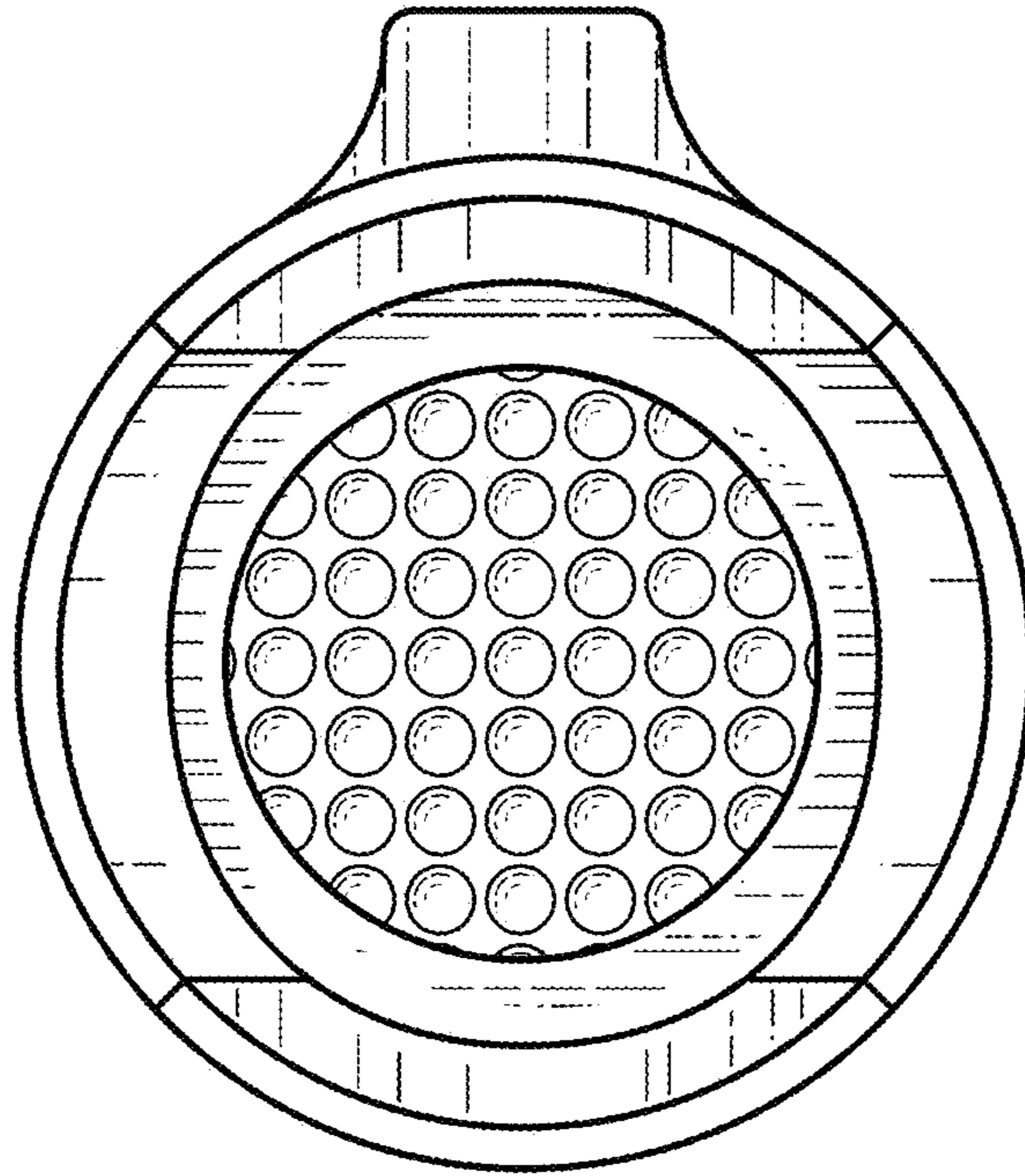
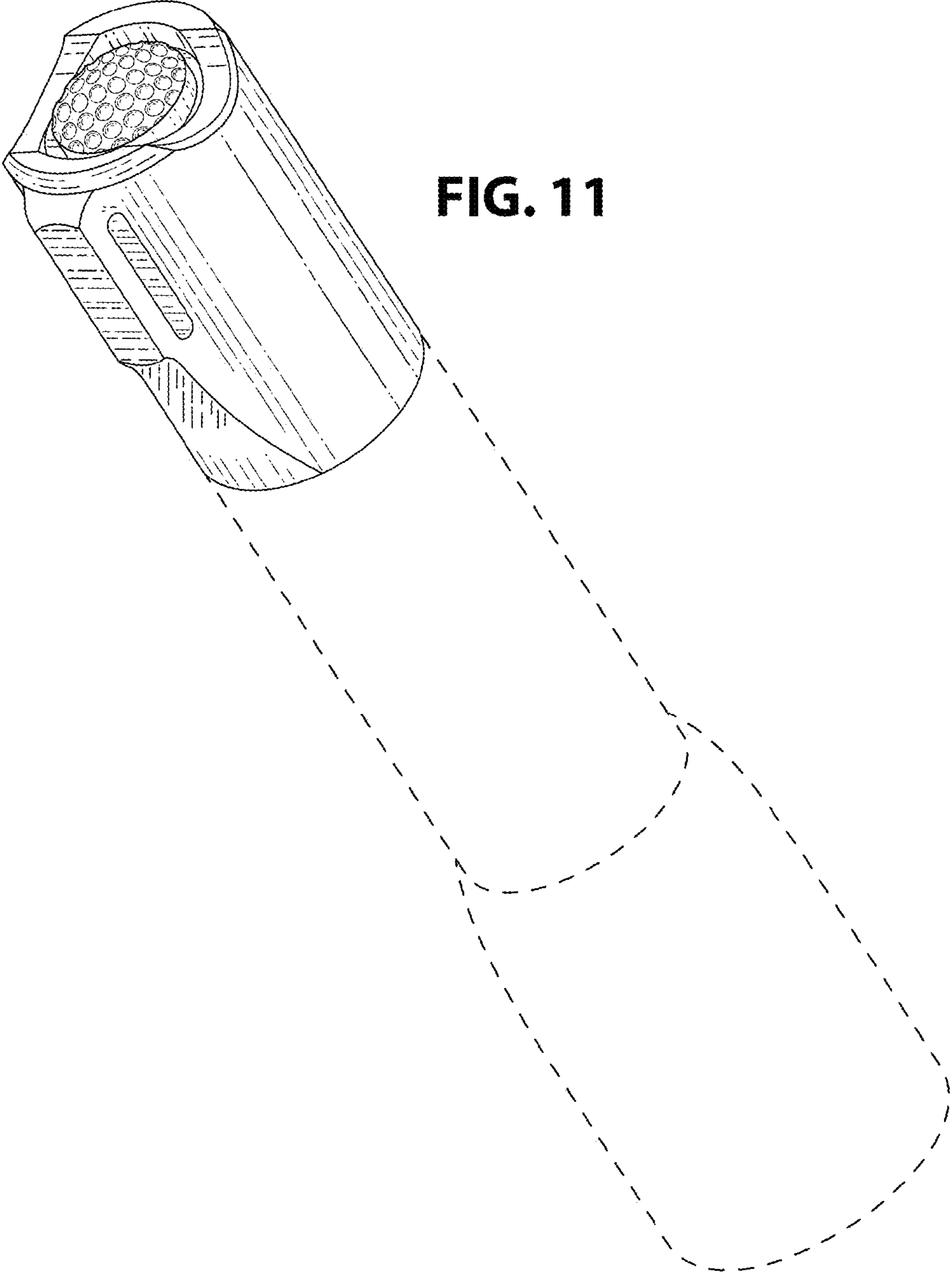
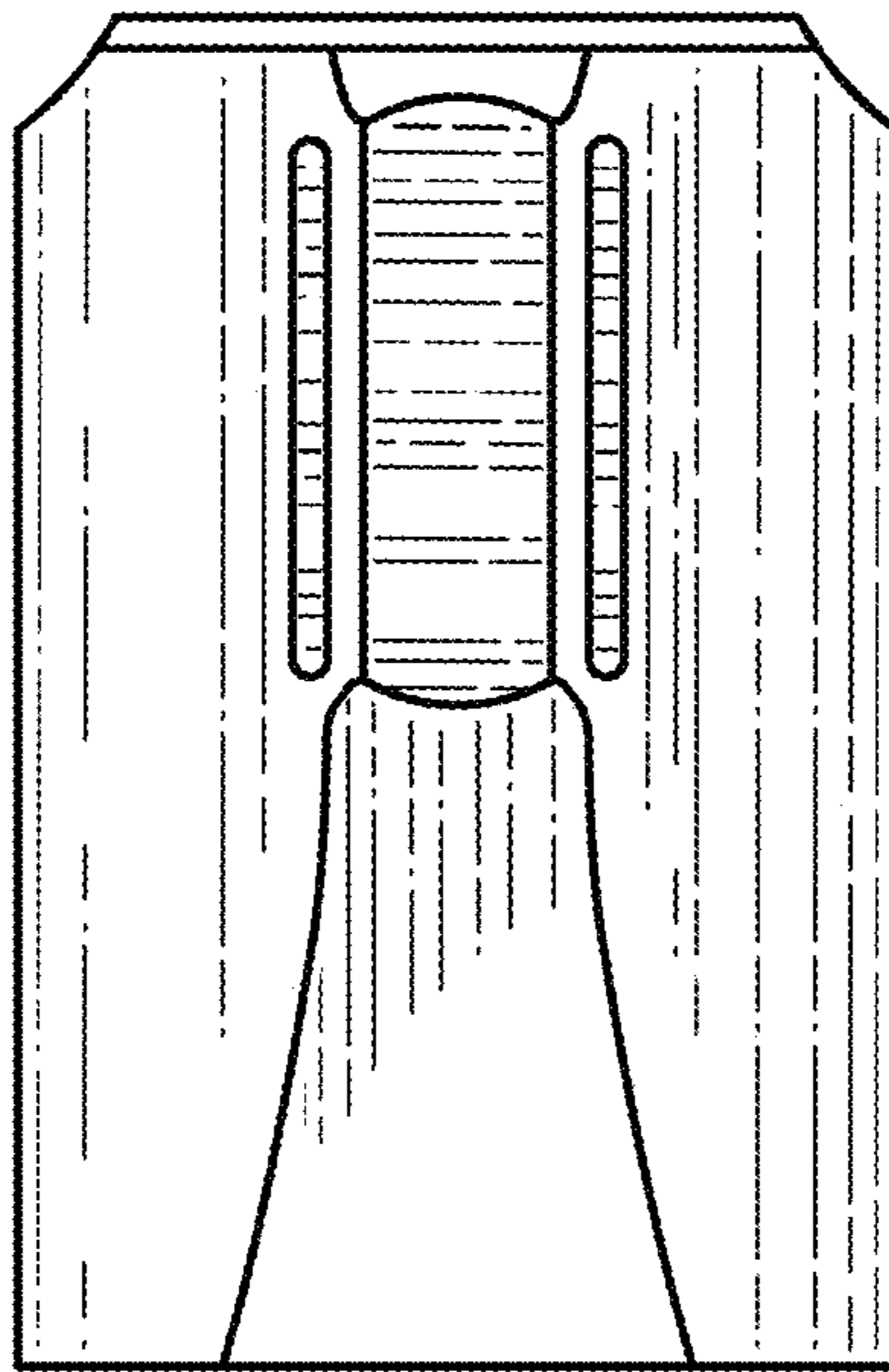


FIG. 9

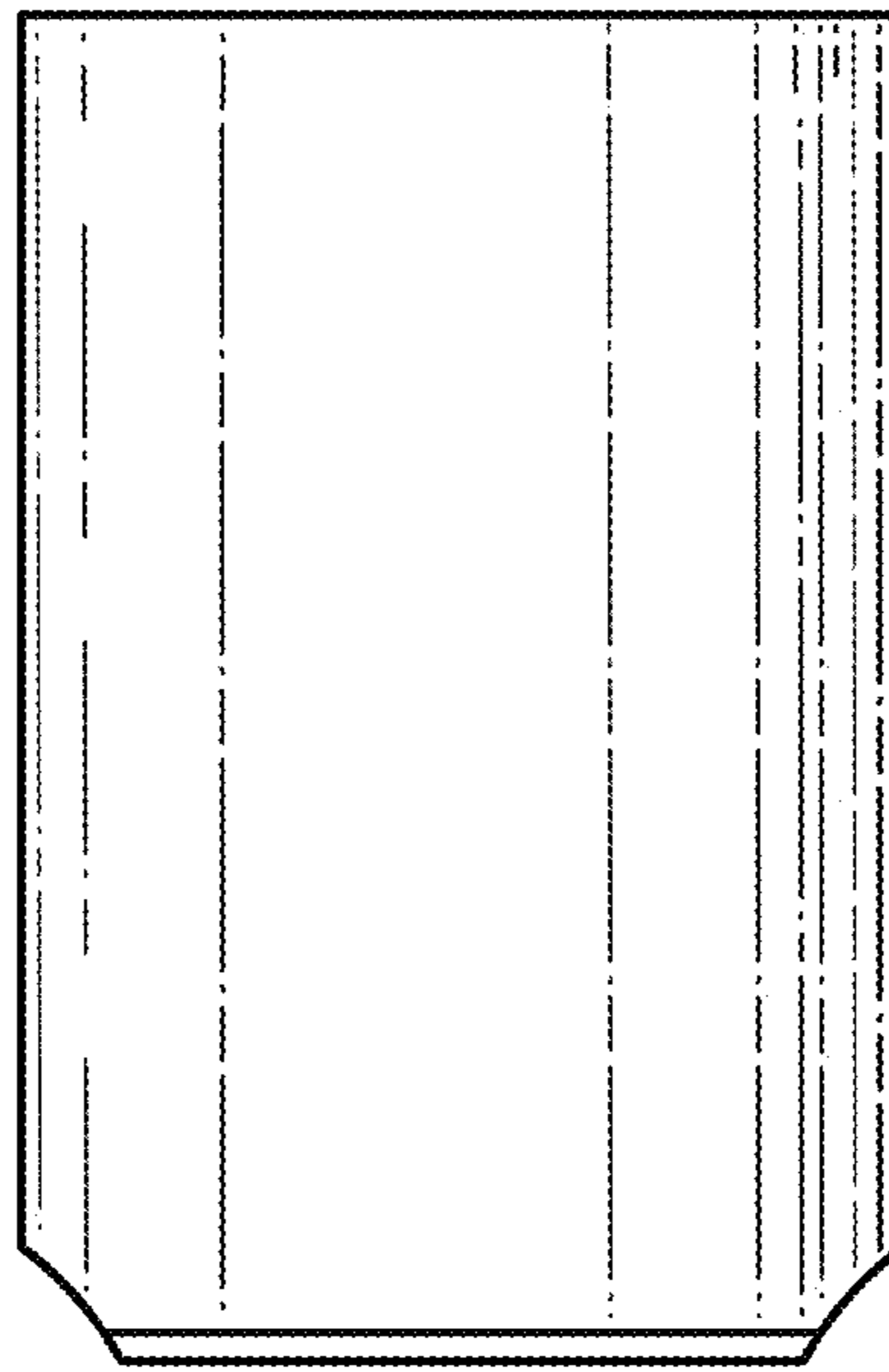


**FIG. 10**





**FIG. 12**



**FIG. 13**

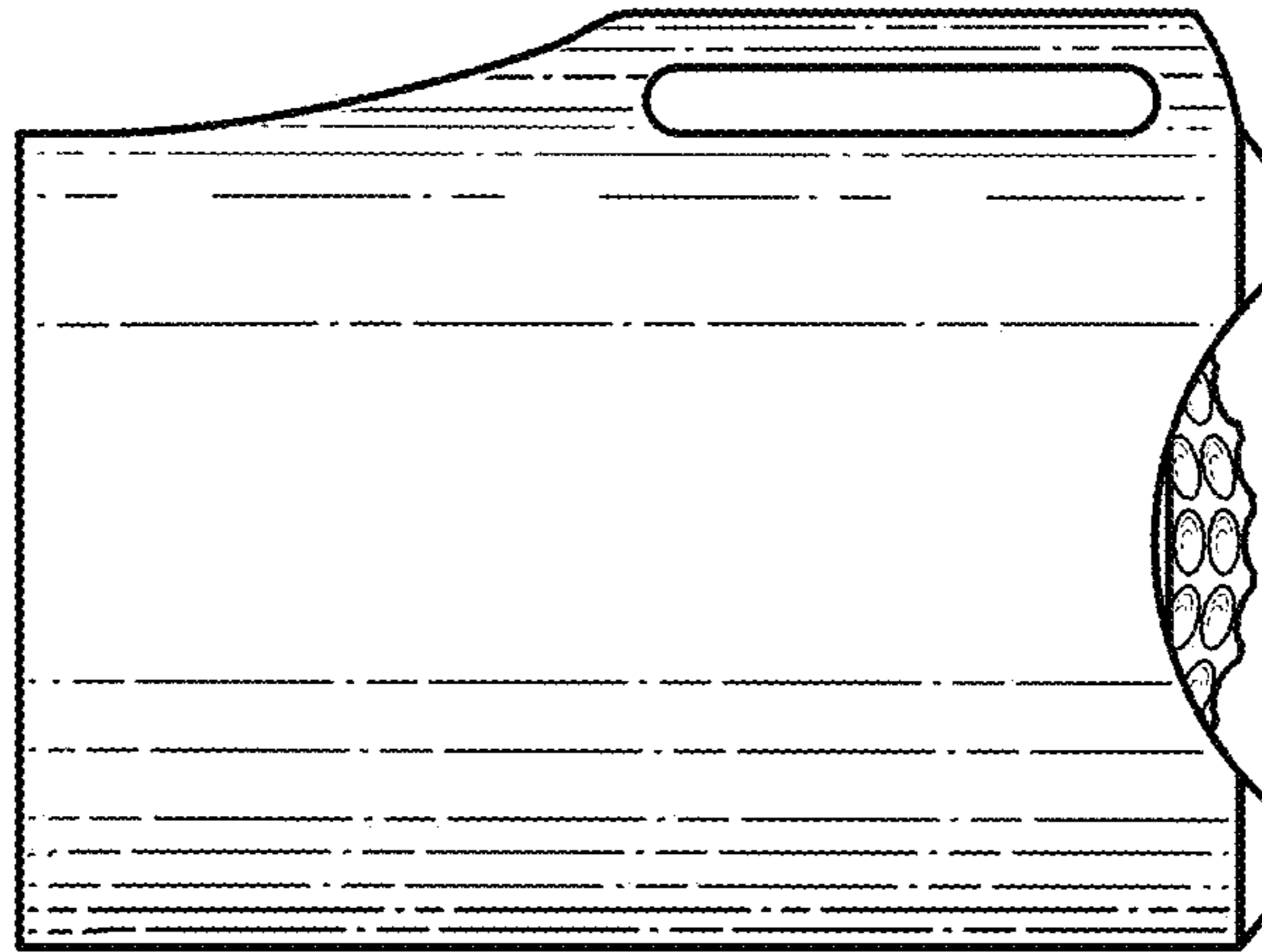
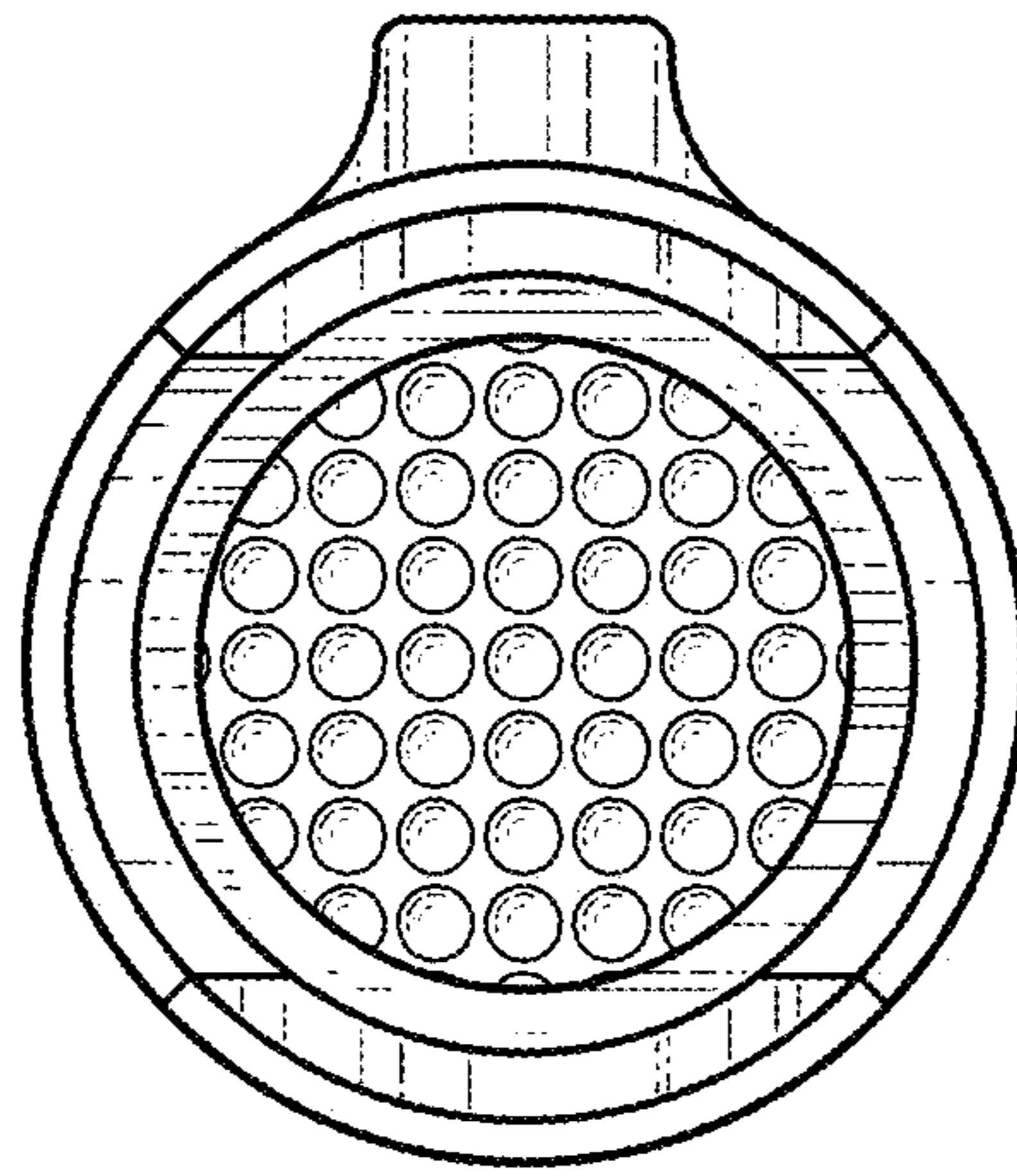


FIG. 14



**FIG. 15**