



US00D759278S

(12) **United States Design Patent**
Kim

(10) **Patent No.:** **US D759,278 S**
(45) **Date of Patent:** **** Jun. 14, 2016**

(54) **CURVED BAR TYPE LED LIGHT FIXTURE**

(56) **References Cited**

(71) Applicant: **H.P.I.**, Gyeonggi-do (KR)

U.S. PATENT DOCUMENTS

(72) Inventor: **Jong Chen Kim**, Gyeonggi-do (KR)

D526,430 S *	8/2006	Hernandez	D26/31
D576,754 S *	9/2008	Wang	D26/31
D642,302 S *	7/2011	Schiavone	D26/28
D643,951 S *	8/2011	Cai	D26/28
D653,783 S *	2/2012	Biro	D26/31

(73) Assignee: **H.P.I.**, Gyeonggi-Do (KR)

(**) Term: **14 Years**

* cited by examiner

(21) Appl. No.: **29/514,752**

Primary Examiner — Marcus Jackson

(22) Filed: **Jan. 15, 2015**

(74) *Attorney, Agent, or Firm* — IPLA P.A.; James E. Bame

(51) **LOC (10) Cl.** **26-04**

(57) **CLAIM**

The ornamental design for a curved bar type LED light fixture, as shown and described.

(52) **U.S. Cl.**

DESCRIPTION

USPC **D26/31**

(58) **Field of Classification Search**

USPC D26/28-36; 362/459-468, 475-478,
362/485-487

CPC F21S 48/00; F21S 48/10; F21S 48/115;

F21S 48/1233; F21S 48/1266; F21S 48/1388;

F21S 48/2268; F21V 21/04

See application file for complete search history.

1 Claim, 3 Drawing Sheets

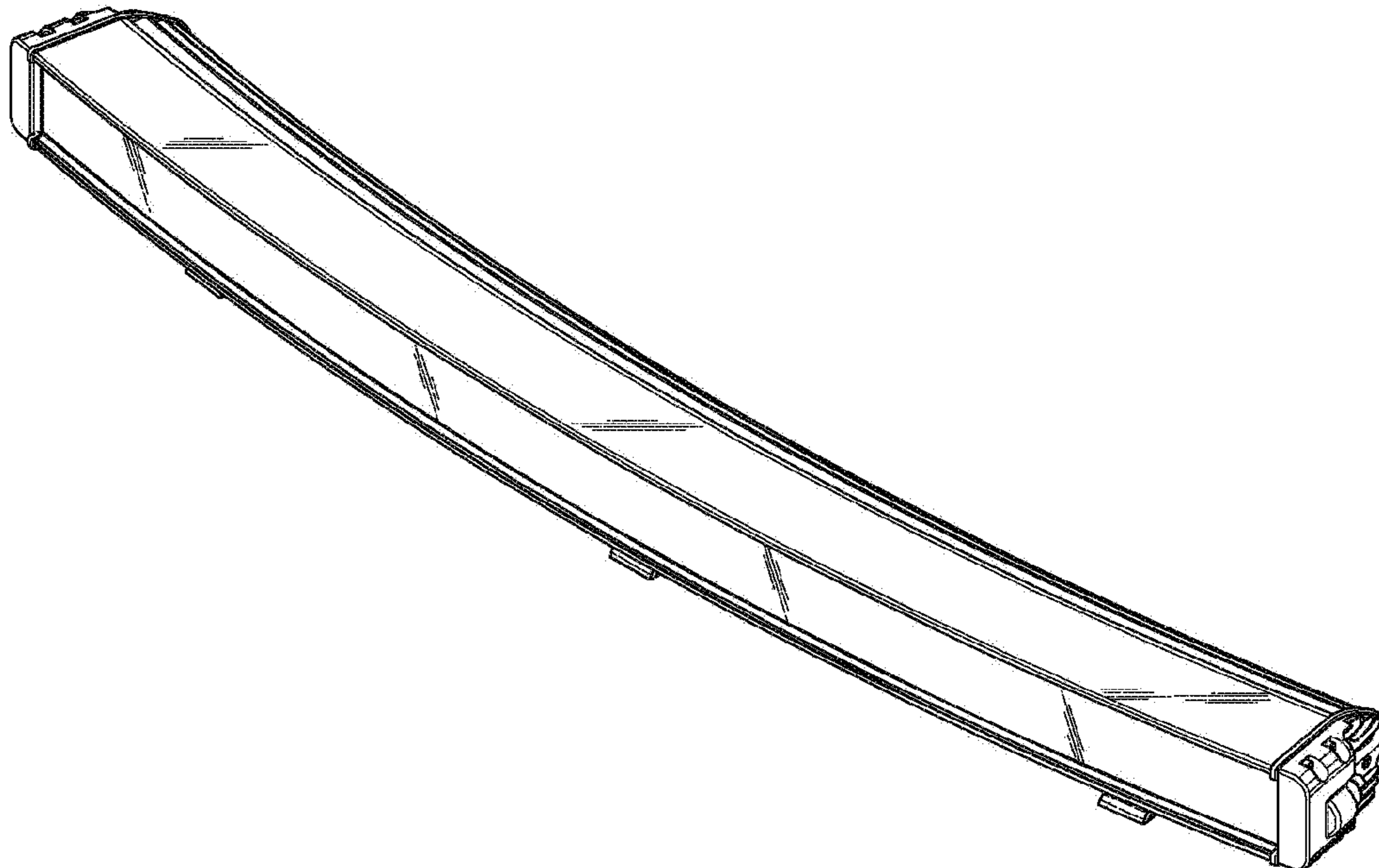


FIG. 1

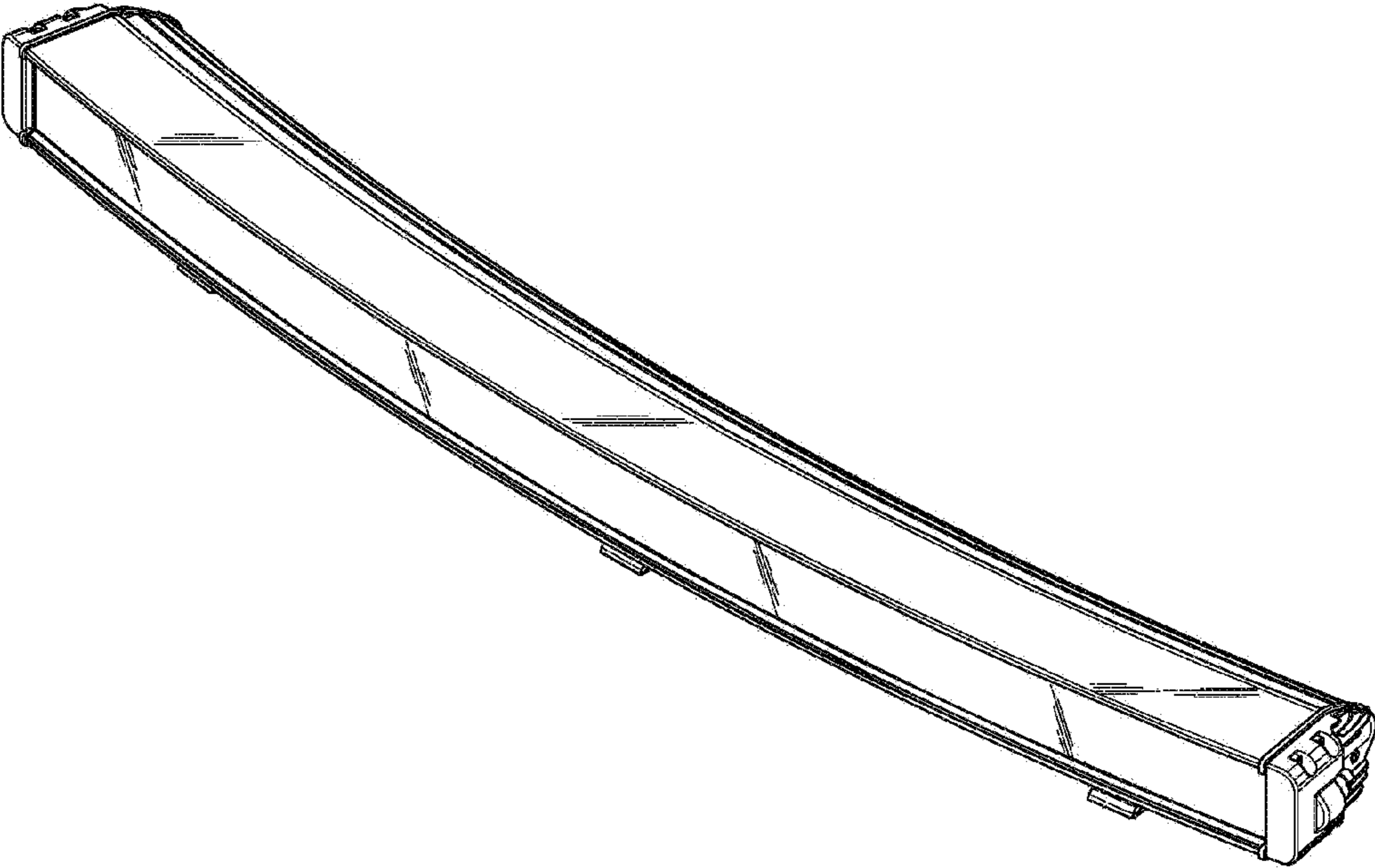


FIG. 2

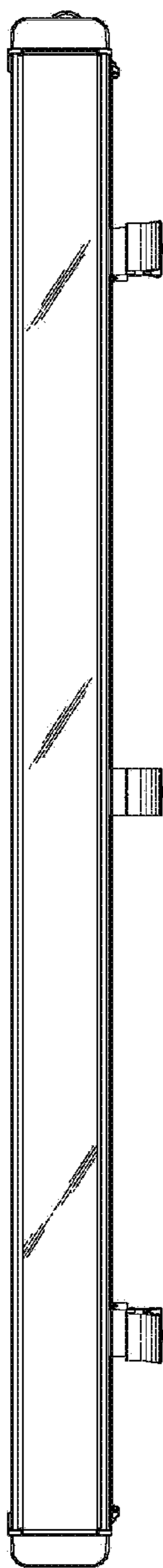


FIG. 3

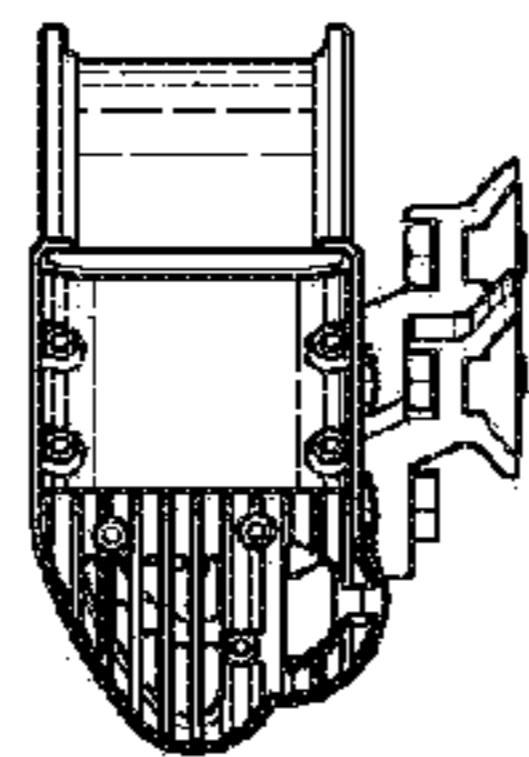


FIG. 4

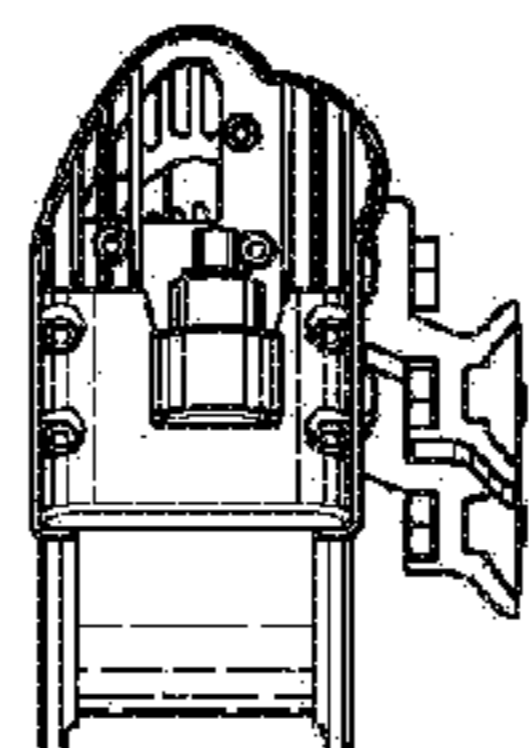


FIG. 5

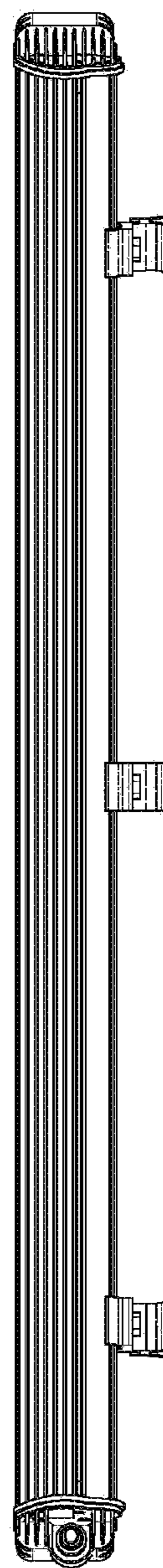


FIG. 6

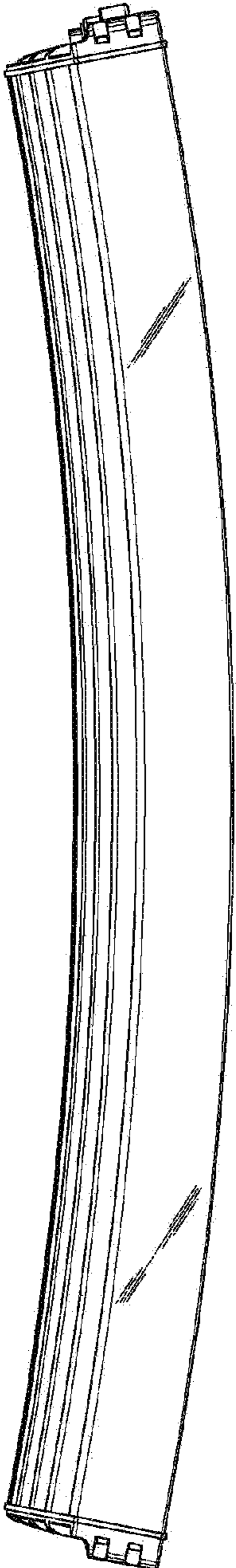


FIG. 7

