



US00D759276S

(12) **United States Design Patent**
Kuriki et al.

(10) **Patent No.:** **US D759,276 S**
(45) **Date of Patent:** **** Jun. 14, 2016**

(54) **FRONT COMBINATION LAMP FOR A MOTOR SCOOTER**

(71) Applicant: **HONDA MOTOR CO., LTD.**, Tokyo (JP)

(72) Inventors: **Daisuke Kuriki**, Wako (JP); **Genichi Kito**, Wako (JP); **Eiji Ashihara**, Tokyo (JP)

(73) Assignee: **HONDA MOTOR CO., LTD.**, Tokyo (JP)

(**) Term: **14 Years**

(21) Appl. No.: **29/519,103**

(22) Filed: **Mar. 2, 2015**

(30) **Foreign Application Priority Data**

Sep. 9, 2014 (JP) 2014-019988

(51) **LOC (10) Cl.** **26-06**

(52) **U.S. Cl.**
USPC **D26/28**

(58) **Field of Classification Search**
USPC D26/28-36; 362/459-468, 475-478, 362/485-487, 61, 80-83, 267
CPC F21S 48/00; F21S 48/10; F21S 48/115; F21S 48/225; F21S 48/1233; F21S 48/1266; F21S 48/1388; F21S 48/2268; F21V 21/04
See application file for complete search history.

(56) **References Cited**

U.S. PATENT DOCUMENTS

D552,274 S *	10/2007	Tanaka	D26/28
D568,501 S *	5/2008	Nakazawa	D26/28
D569,015 S *	5/2008	Tsukui	D26/28
D573,734 S *	7/2008	Watanabe	D26/28
D617,020 S *	6/2010	Ishiguri	D26/28

* cited by examiner

Primary Examiner — Marcus Jackson

(74) *Attorney, Agent, or Firm* — Birch, Stewart, Kolasch & Birch, LLP

(57) **CLAIM**

The ornamental design for a front combination lamp for a motor scooter, as shown and described.

DESCRIPTION

FIG. 1 is a perspective view from the front side of a front combination lamp for a motor scooter.

FIG. 2 is a perspective view from the front side thereof.

FIG. 3 is a front elevation view thereof.

FIG. 4 is a left side elevation view thereof.

FIG. 5 is a right side elevation view thereof; and,

FIG. 6 is a top plan view thereof.

The broken lines shown in the drawings illustrate portions of the front combination lamp for a motor scooter that form no part of claimed design.

1 Claim, 6 Drawing Sheets

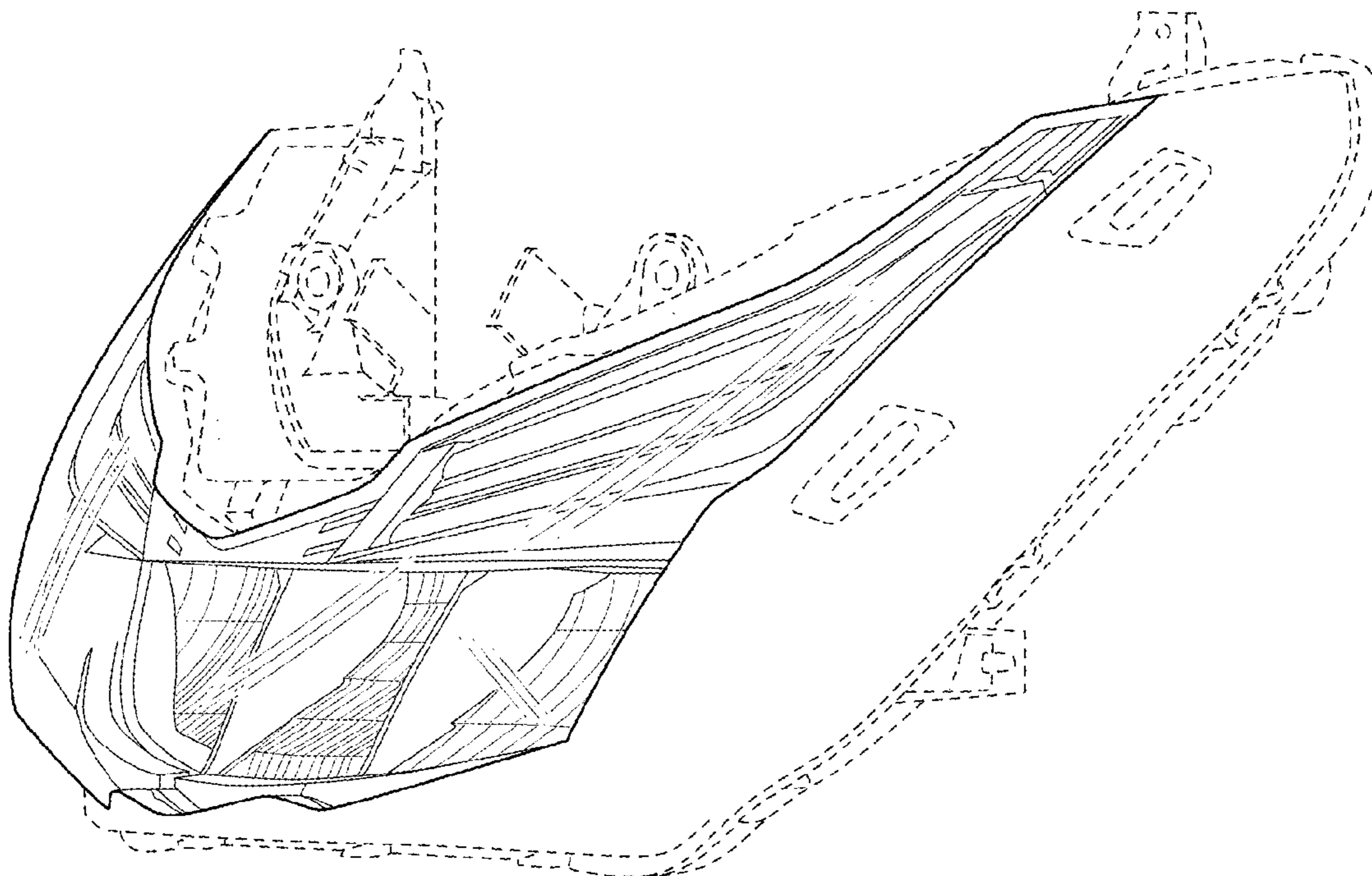


FIG. 1

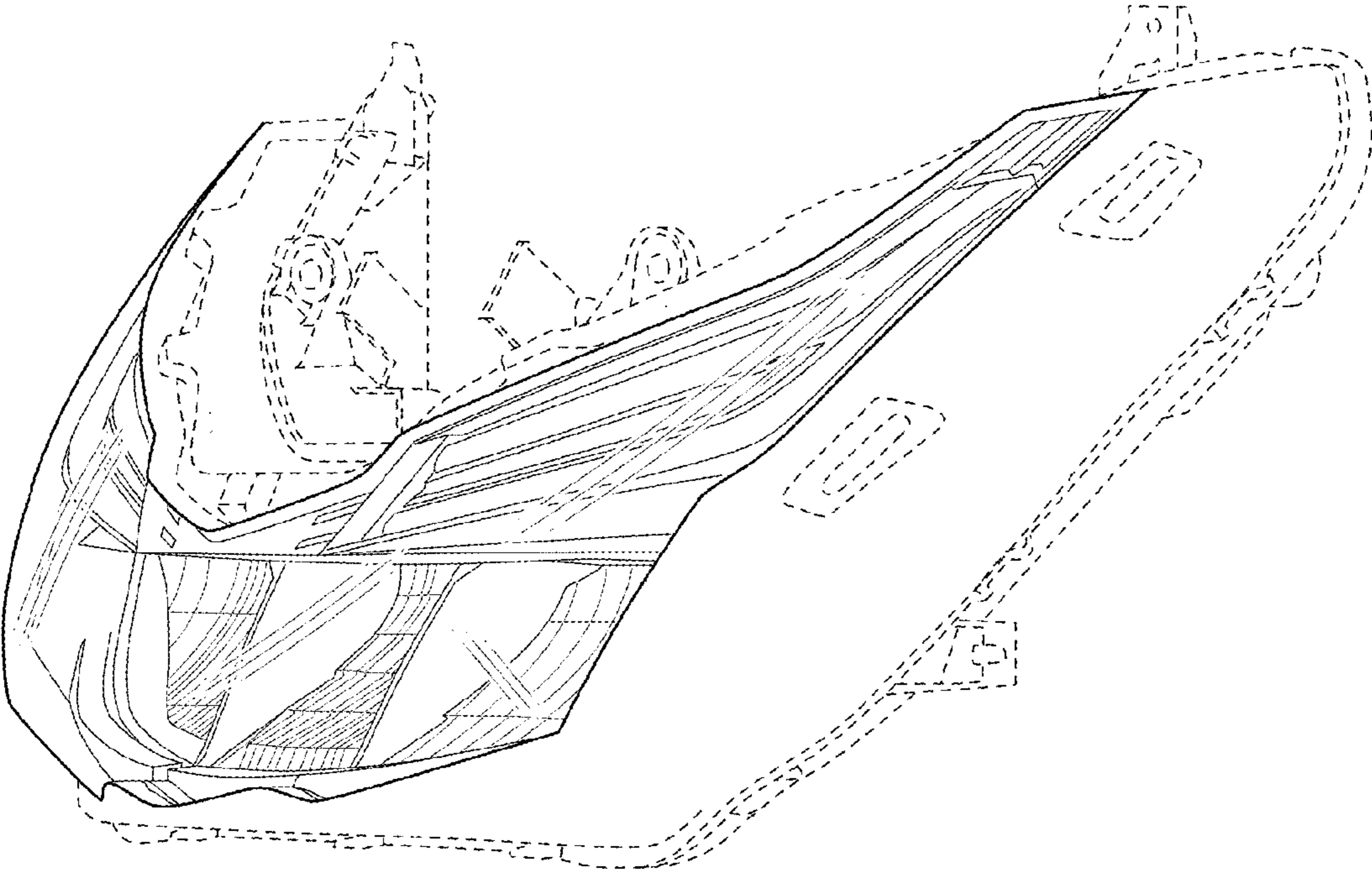


FIG. 2

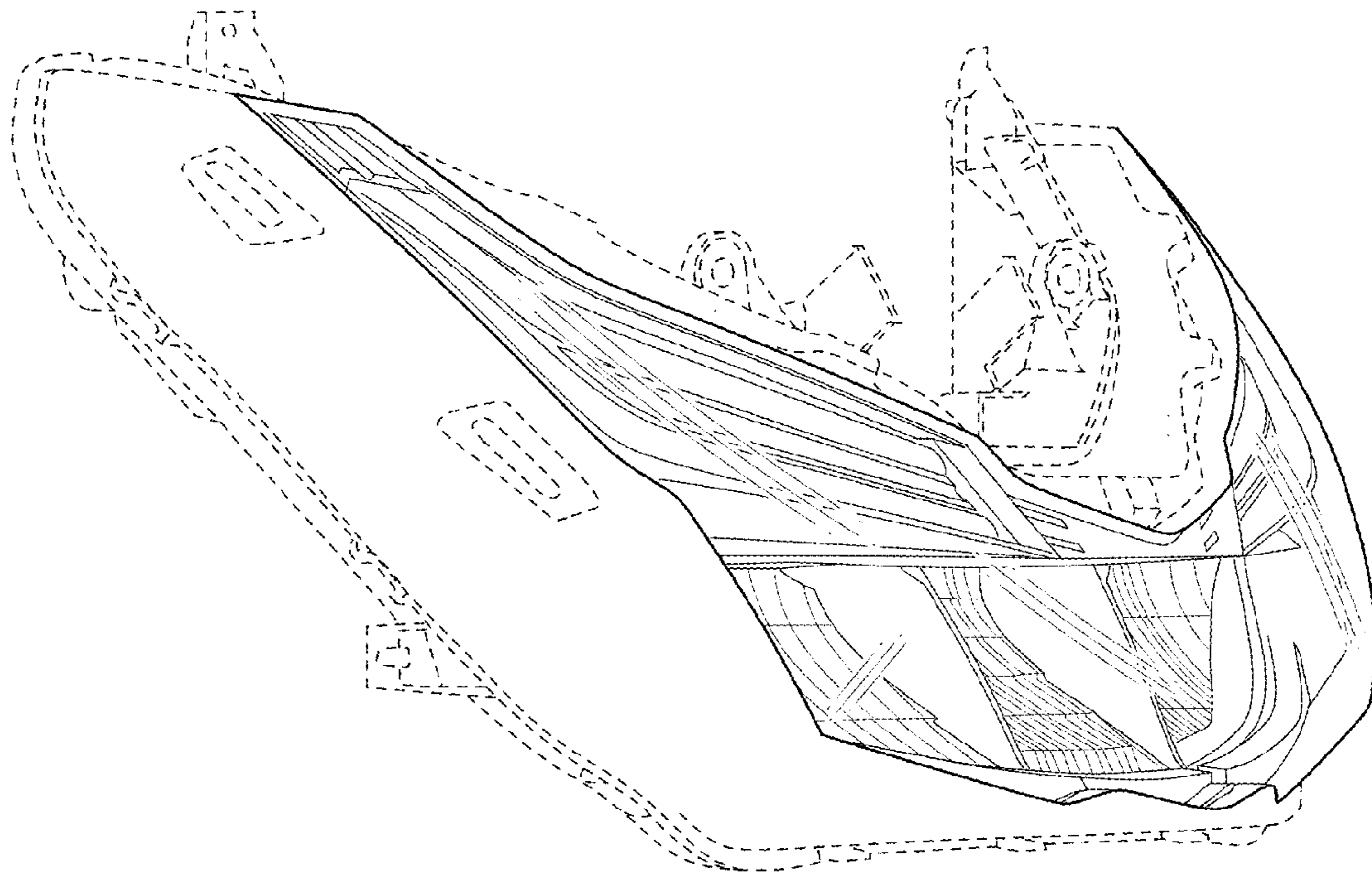


FIG. 3

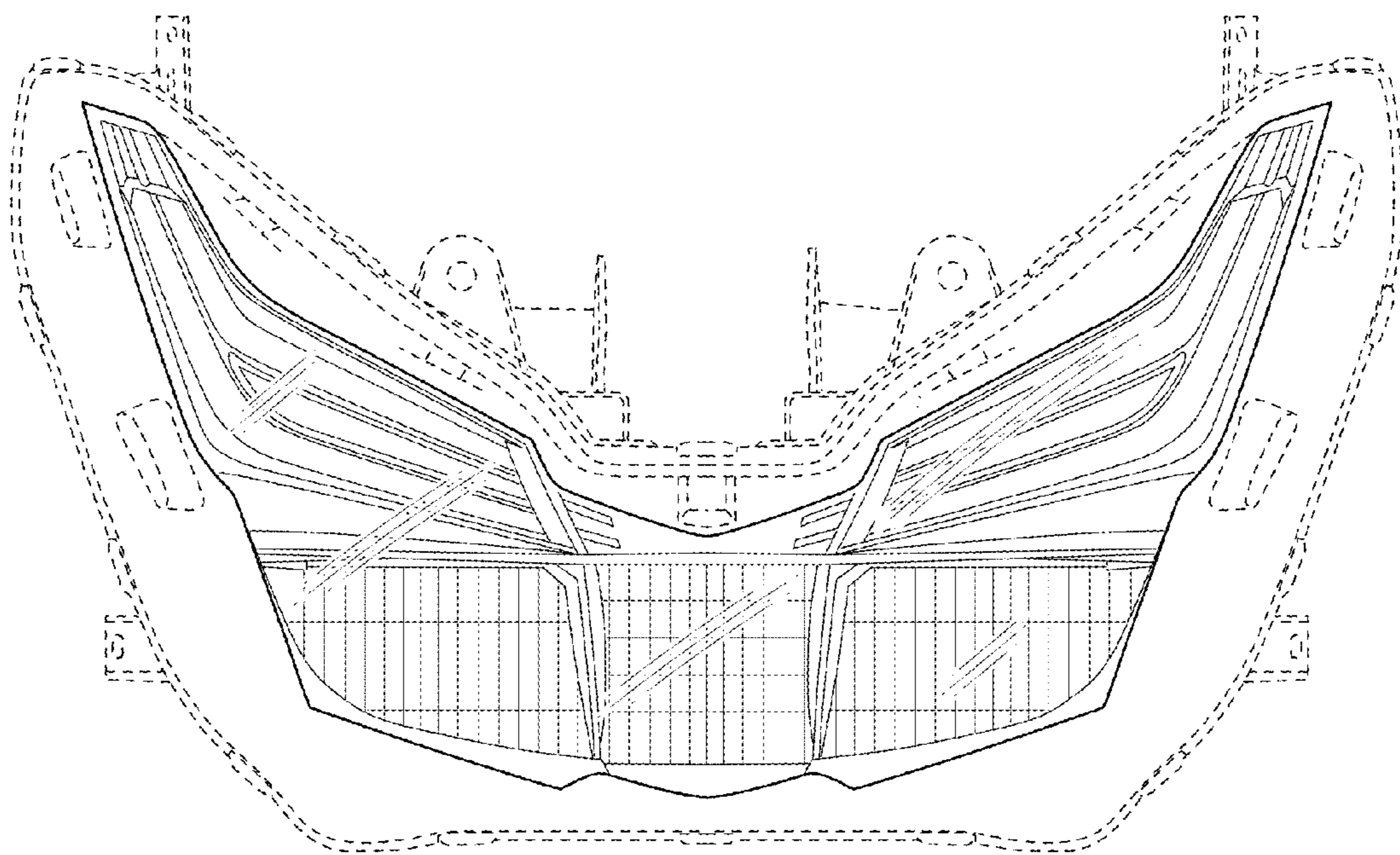


FIG. 4

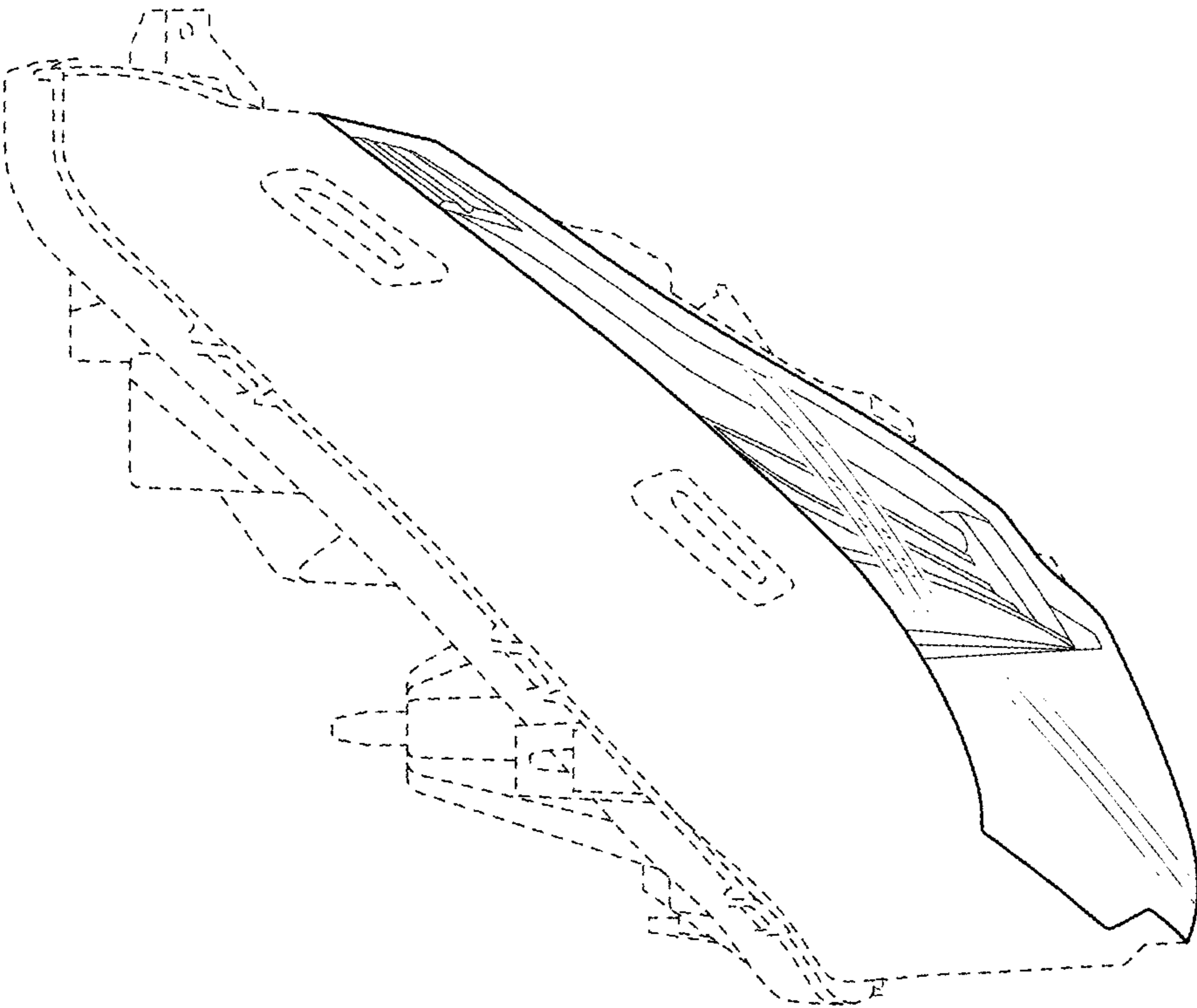


FIG. 5

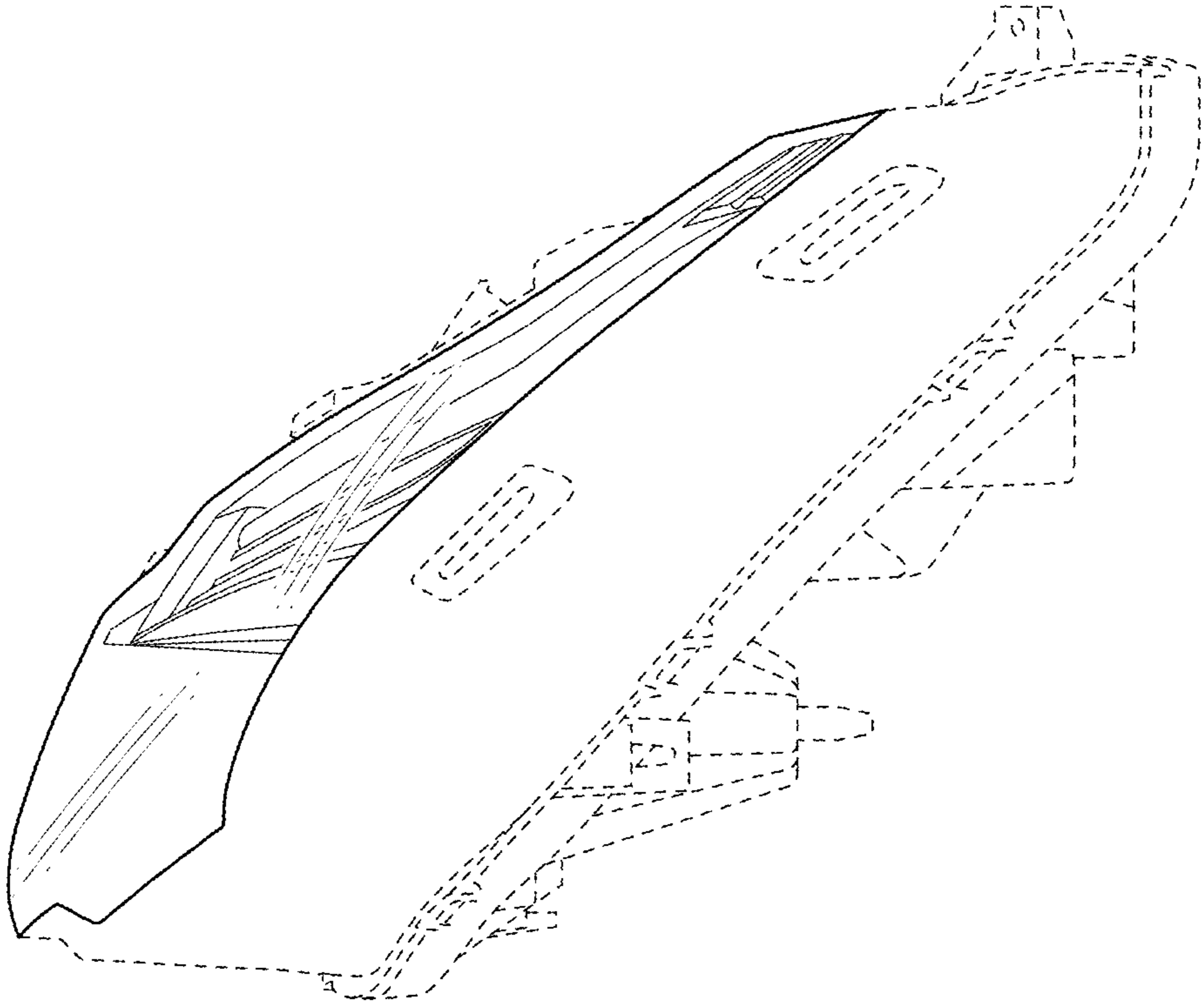


FIG. 6

