



US00D759273S

(12) **United States Design Patent**
Ogihara et al.

(10) **Patent No.:** **US D759,273 S**
(45) **Date of Patent:** **** Jun. 14, 2016**

- (54) **COMBINATION LAMP FOR AN AUTOMOBILE**
- (71) Applicant: **Toyota Jidosha Kabushiki Kaisha**,
Toyota-shi, Aichi-ken (JP)
- (72) Inventors: **Hiroshi Ogihara**, Nagoya (JP); **Atsushi Yoshida**, Hiroshima (JP); **Yasunori Kawano**, Hiroshima (JP)
- (73) Assignee: **Toyota Jidosha Kabushiki Kaisha** (JP)
- (**) Term: **14 Years**
- (21) Appl. No.: **29/513,662**
- (22) Filed: **Jan. 5, 2015**
- (51) **LOC (10) Cl.** **26-04**
- (52) **U.S. Cl.**
USPC **D26/28**
- (58) **Field of Classification Search**
USPC D26/28-36; 362/459-468, 475-478,
362/485-487
CPC F21S 48/00; F21S 48/10; F21S 48/115;
F21S 4/1233; F21S 48/1266; F21S 48/1388;
F21S 48/2268; F21S 48/225; F21V 21/04
See application file for complete search history.

- D528,231 S * 9/2006 Ikeda D26/28
- D535,409 S * 1/2007 Yamaguchi D26/28
- D544,614 S * 6/2007 Markefka D26/28
- D635,694 S * 4/2011 Yang D26/28

OTHER PUBLICATIONS

Toyota Corolla, <<https://web.archive.org/web/20140101205110/http://www.toyota.com/corolla/>>, available at least as early as Jan. 1, 2014.
Audi A4, <<https://web.archive.org/web/20131128042335/http://www.audi.co.jp/brand/ja/models/a4/a4.html?>>, available at least as early as Nov. 3, 2012.

* cited by examiner

Primary Examiner — Marcus Jackson

(74) *Attorney, Agent, or Firm* — Saidman DesignLaw Group, LLC

(57) **CLAIM**

The ornamental design for a combination lamp for an automobile, as shown and described.

DESCRIPTION

FIG. 1 is a front perspective view of a combination lamp for an automobile showing our new design;
FIG. 2 is a front view thereof;
FIG. 3 is a rear view thereof;
FIG. 4 is a top plan view thereof;
FIG. 5 is a bottom plan view thereof;
FIG. 6 is a right side view thereof; and,
FIG. 7 is a left side view thereof.

1 Claim, 4 Drawing Sheets

(56) **References Cited**

U.S. PATENT DOCUMENTS

- D508,136 S * 8/2005 Pfeiffer D26/28
- D518,581 S * 4/2006 Osawa D26/28

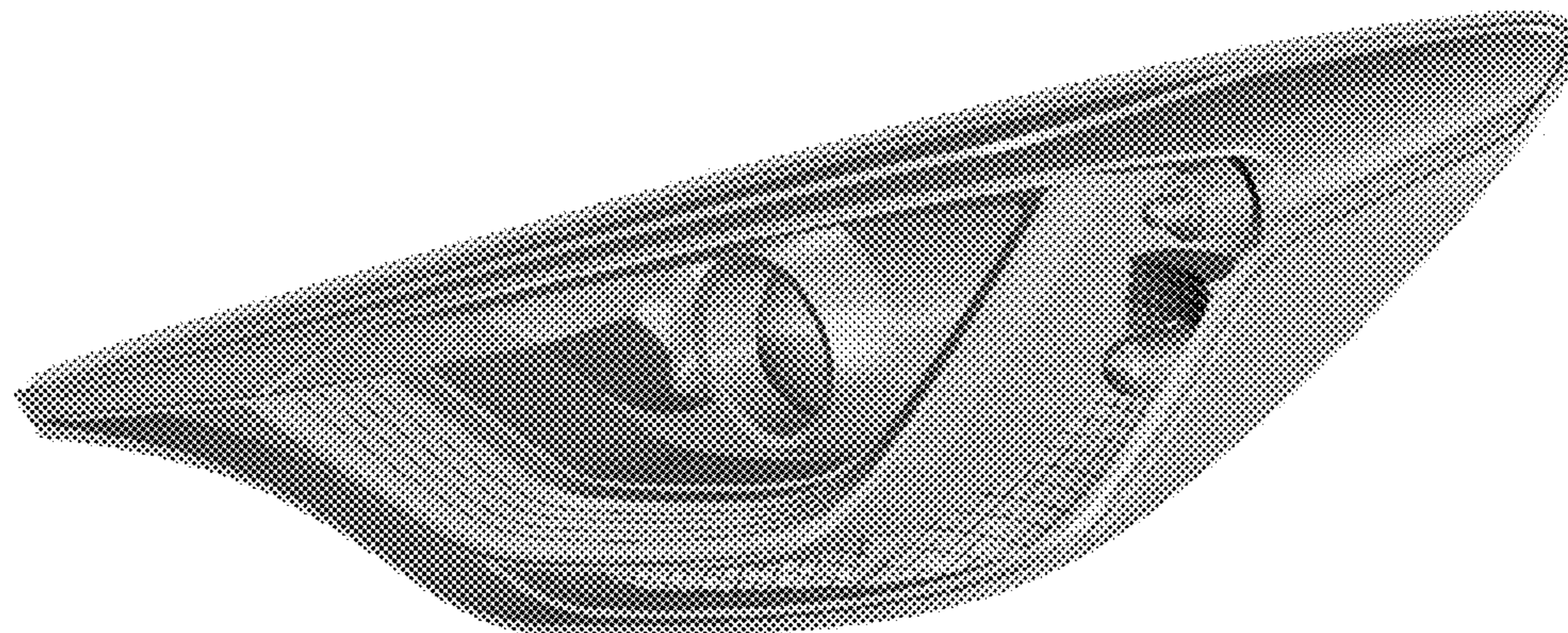


Fig. 1

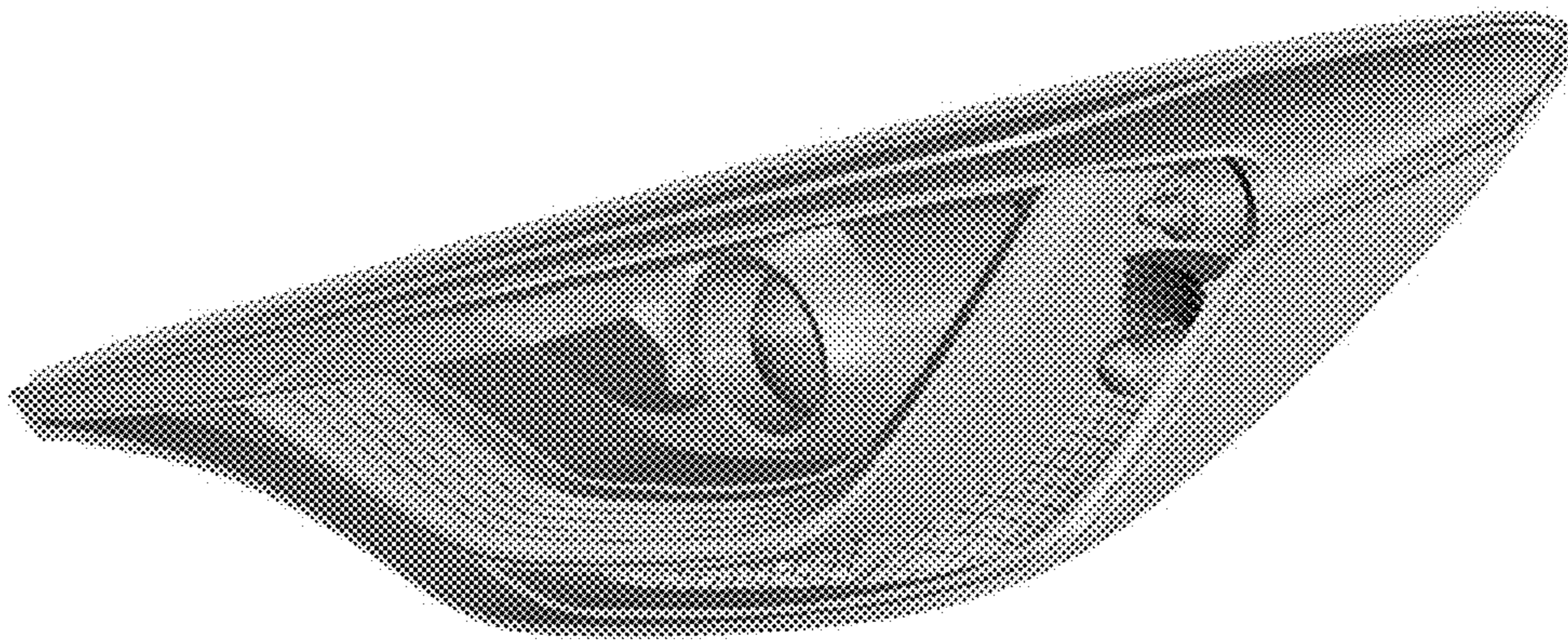


Fig.2

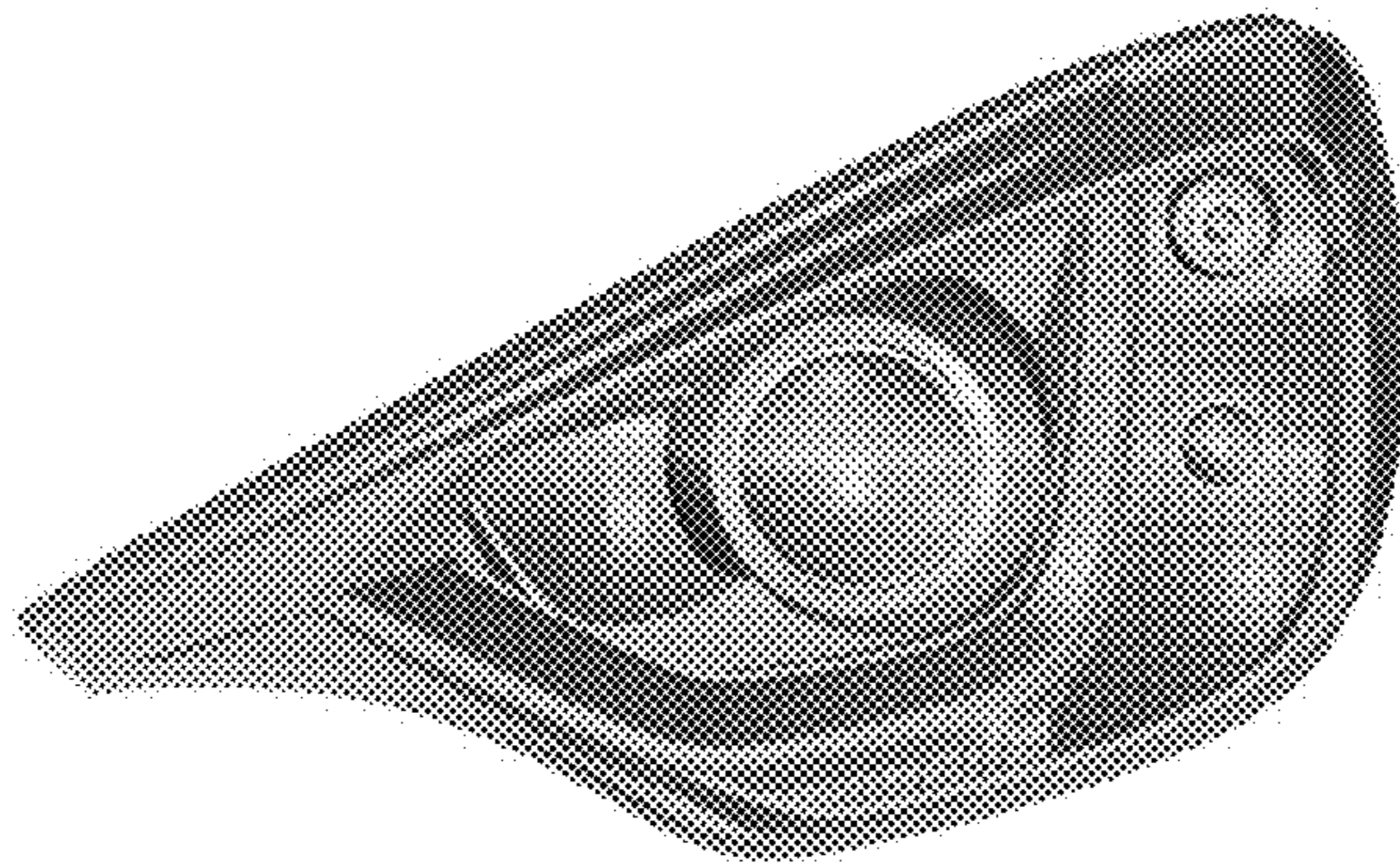


Fig.3

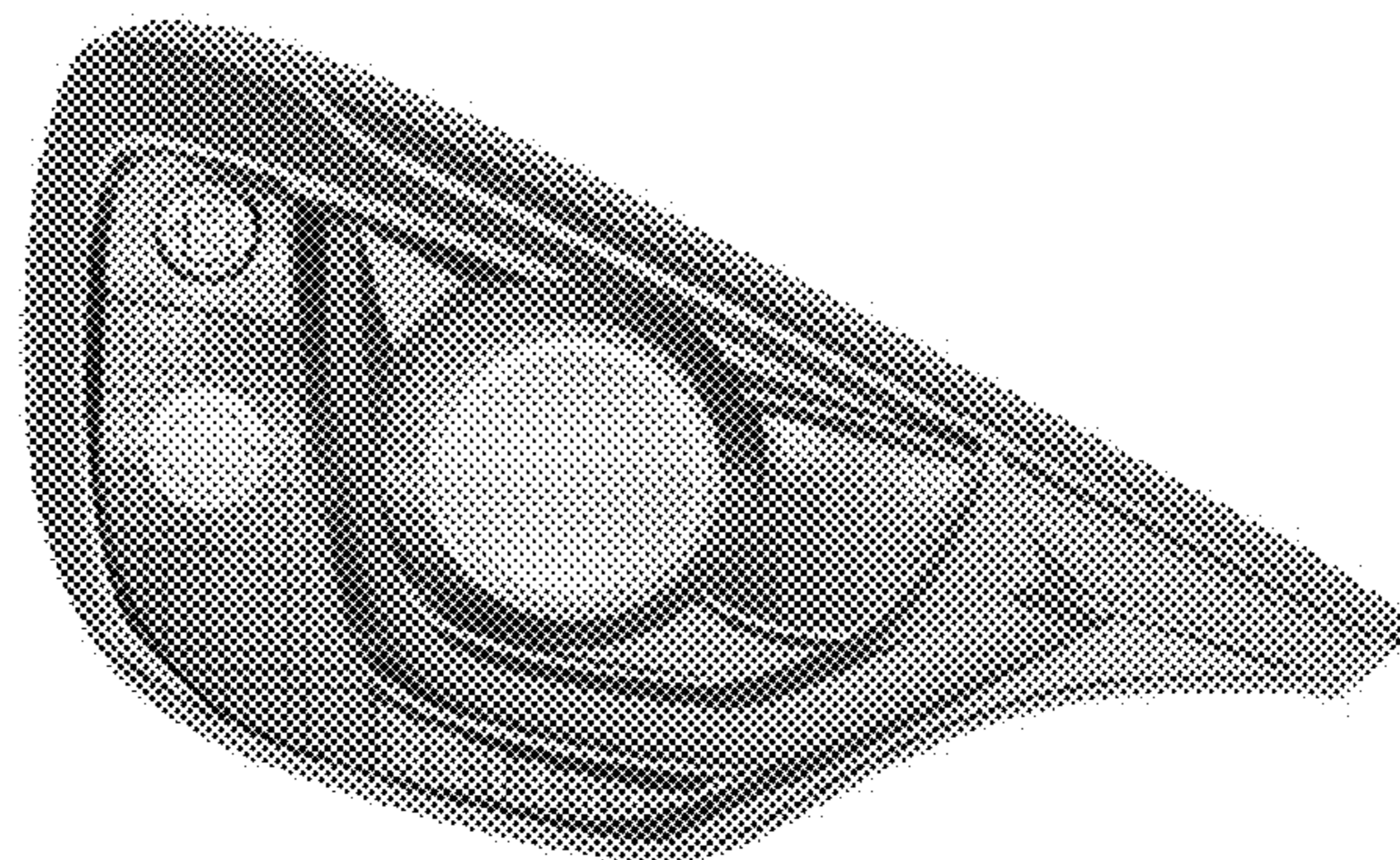


Fig.4

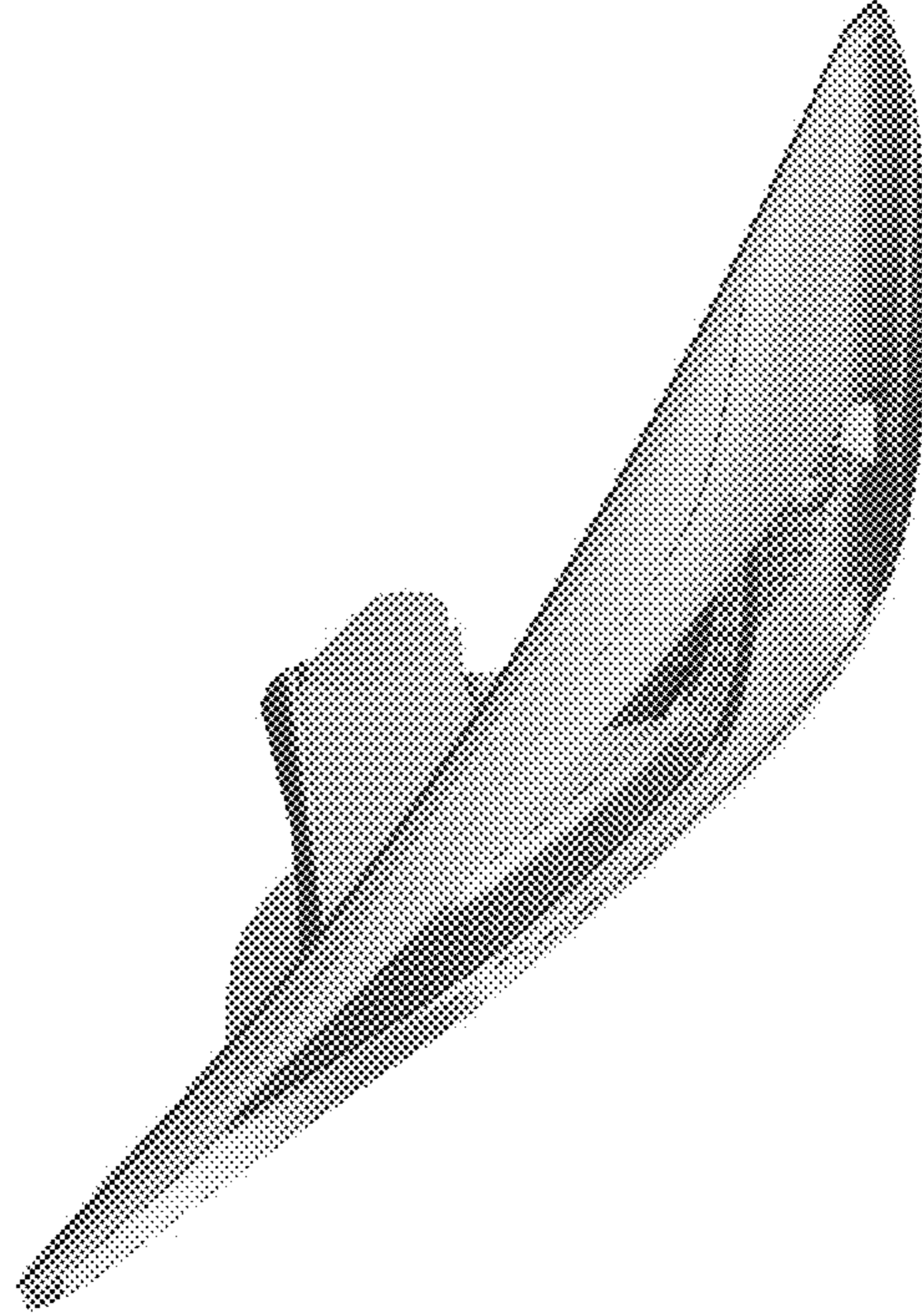


Fig.5

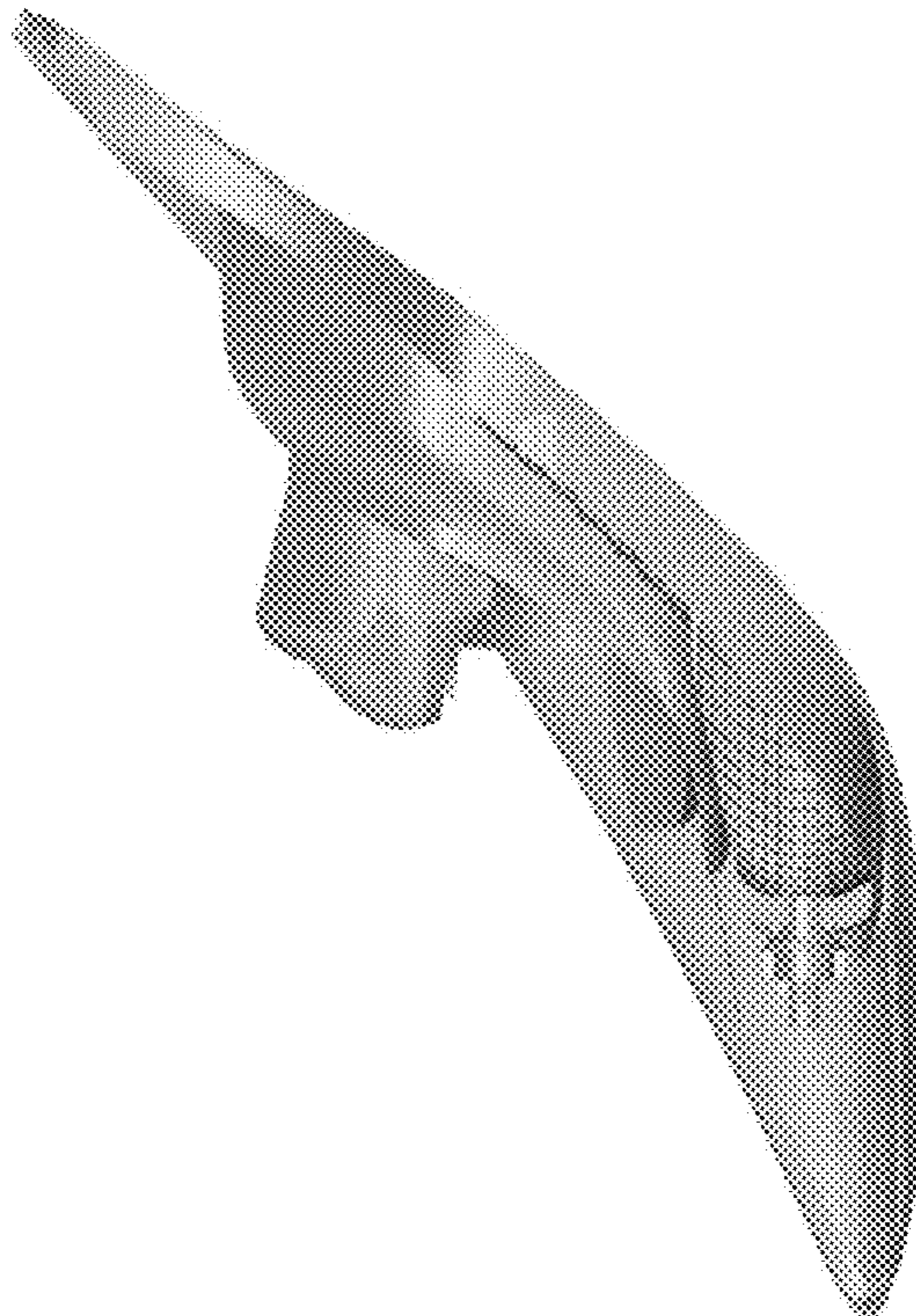


Fig.6

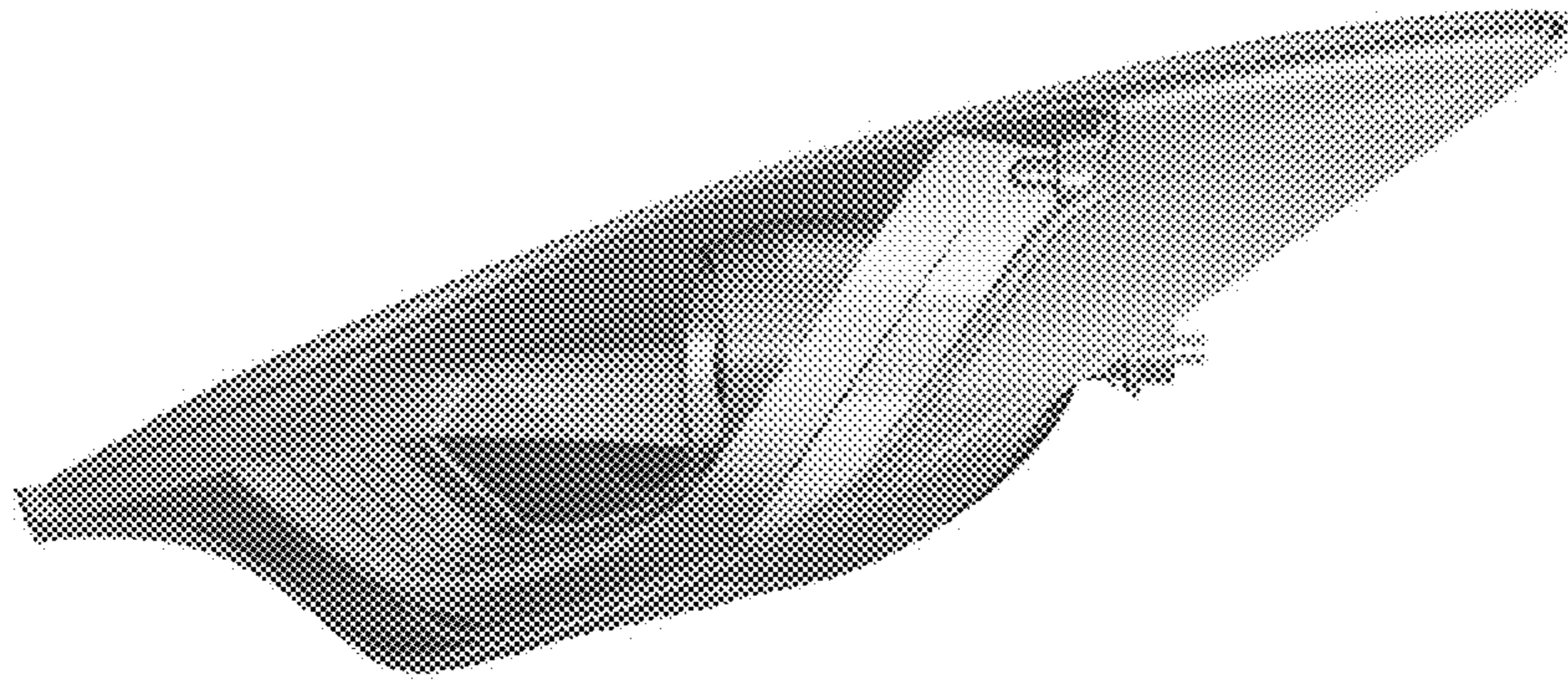


Fig.7

