



US00D759272S

(12) **United States Design Patent**
Fan

(10) **Patent No.:** **US D759,272 S**

(45) **Date of Patent:** **** Jun. 14, 2016**

(54) **LIGHTING UNIT FOR A VEHICLE**

(56) **References Cited**

(71) Applicant: **Guangzhou Hanma Electronic Technology Co., Ltd.**, Baiyun District, Guangzhou (CN)

(72) Inventor: **Shijun Fan**, Xiangfan (CN)

(73) Assignee: **Guangzhou Hanma Electronic Technology Co., Ltd.**, Guangzhou (CN)

(**) Term: **14 Years**

(21) Appl. No.: **29/512,237**

(22) Filed: **Dec. 17, 2014**

(51) **LOC (10) Cl.** **26-06**

(52) **U.S. Cl.**
USPC **D26/28**

(58) **Field of Classification Search**
USPC D26/28-36; 362/61, 80-83, 459-468, 362/475-478, 485-487
CPC B60Q 1/04; B60Q 1/26; F21S 8/026; F21S 8/04; F21V 5/00; F21V 7/00; F21V 21/04; F21V 37/002

See application file for complete search history.

U.S. PATENT DOCUMENTS

D385,370 S *	10/1997	Moore	D26/28
D477,887 S *	7/2003	Lin	D26/28
D519,232 S *	4/2006	Columbro	D26/28
D520,156 S *	5/2006	Campagna	D26/28
D530,437 S *	10/2006	Neufeglise	D26/28
D535,761 S *	1/2007	Li	D26/24
D554,280 S *	10/2007	Chen	D26/35
D558,366 S *	12/2007	Thomson	D26/28

* cited by examiner

Primary Examiner — Marcus Jackson

(74) *Attorney, Agent, or Firm* — Brundidge & Stanger, P.C.

(57) **CLAIM**

The ornamental design for lighting unit for a vehicle, as shown and described.

DESCRIPTION

FIG. 1 is a front view of a lighting unit for a vehicle showing my new design;
FIG. 2 is rear view, with the wire broken away on the end to indicate indeterminate length;
FIG. 3 is a perspective view thereof;
FIG. 4 is a top view thereof;
FIG. 5 is a bottom view thereof;
FIG. 6 is a left view thereof; and
FIG. 7 is a right view.

1 Claim, 7 Drawing Sheets

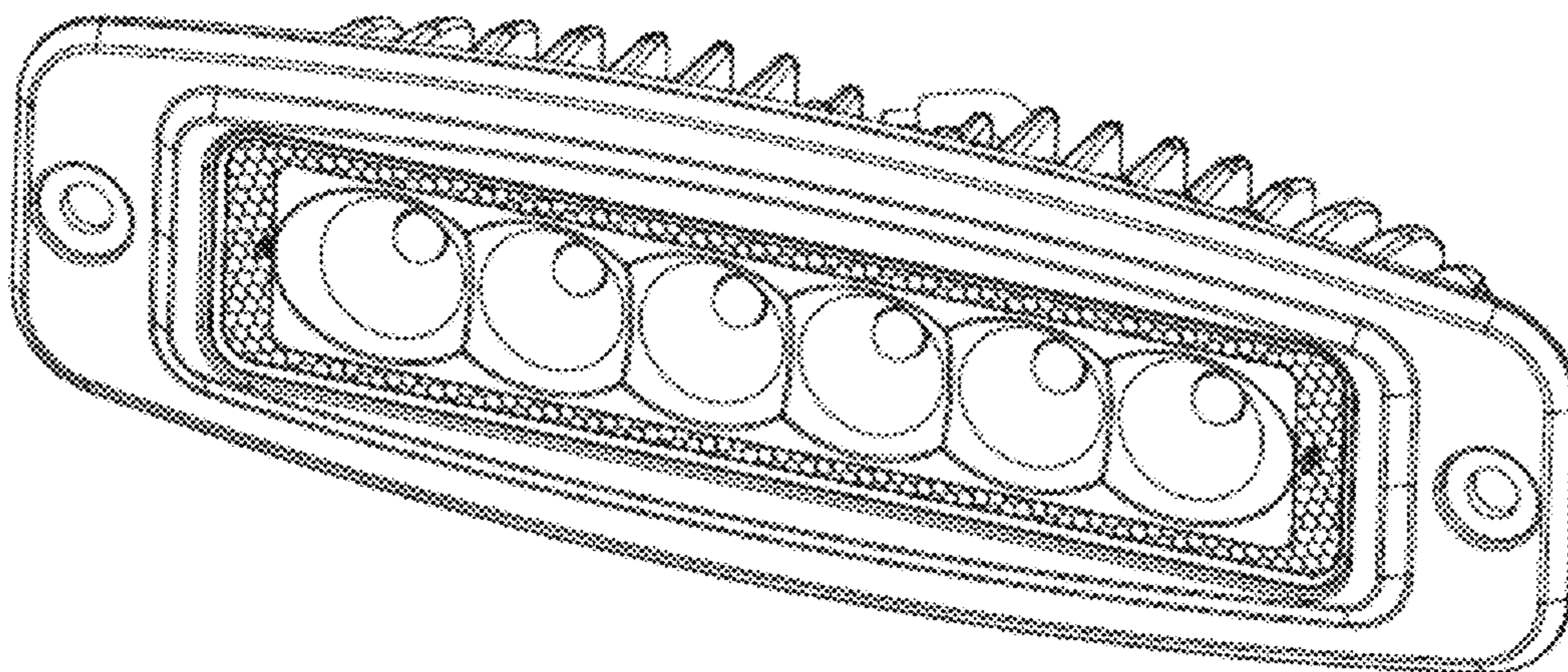


FIG. 1

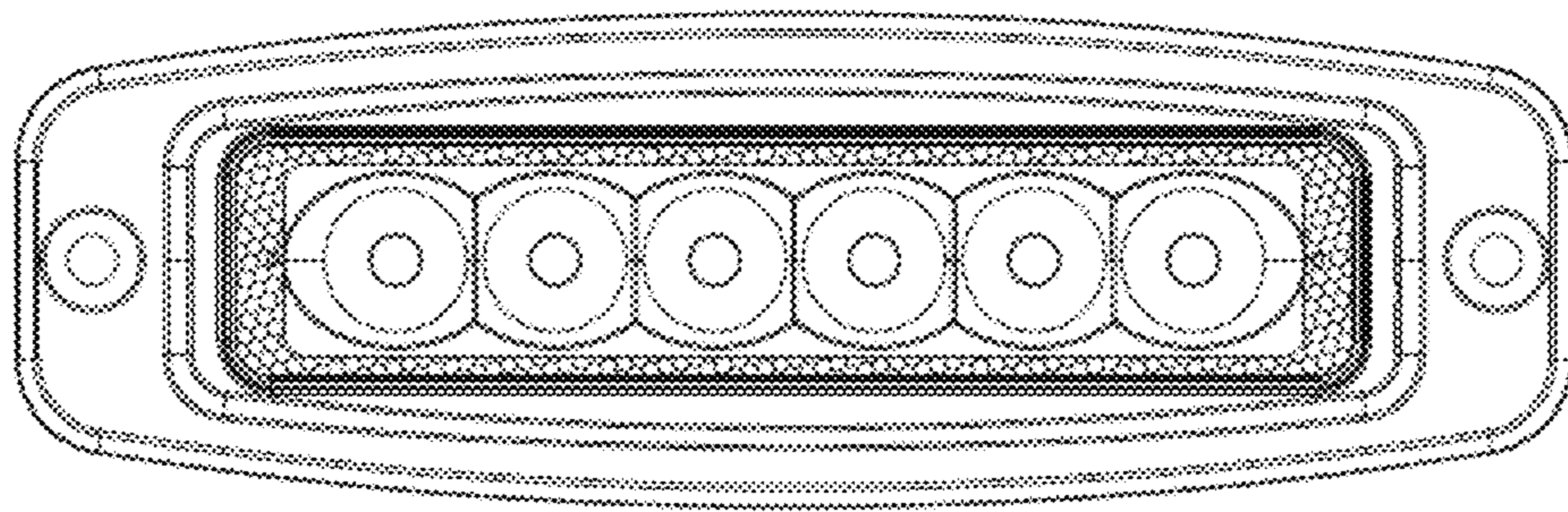


FIG. 2

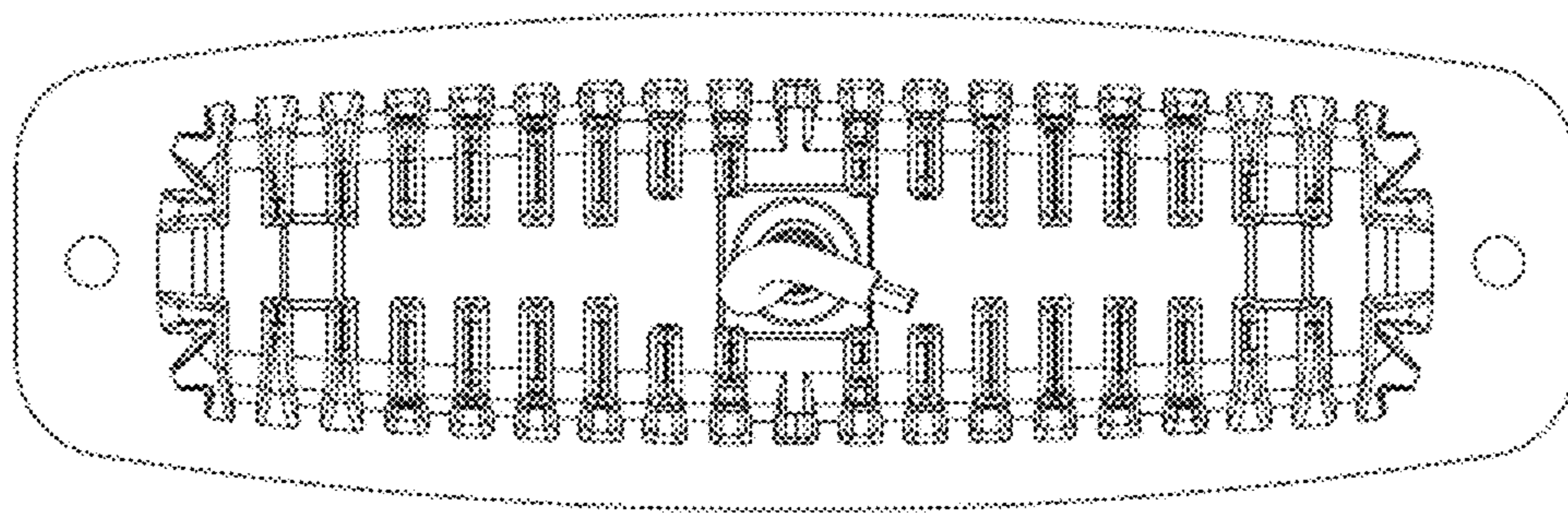


FIG. 3

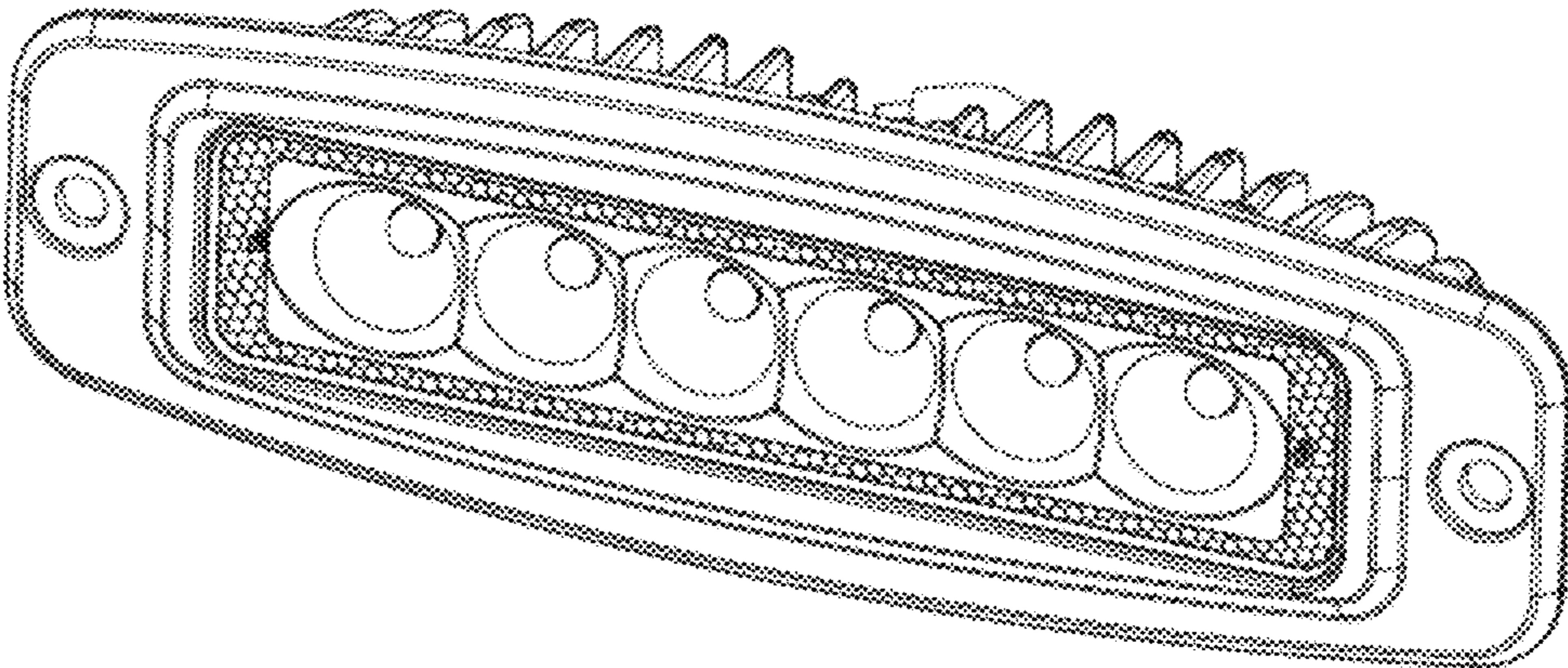


FIG. 4

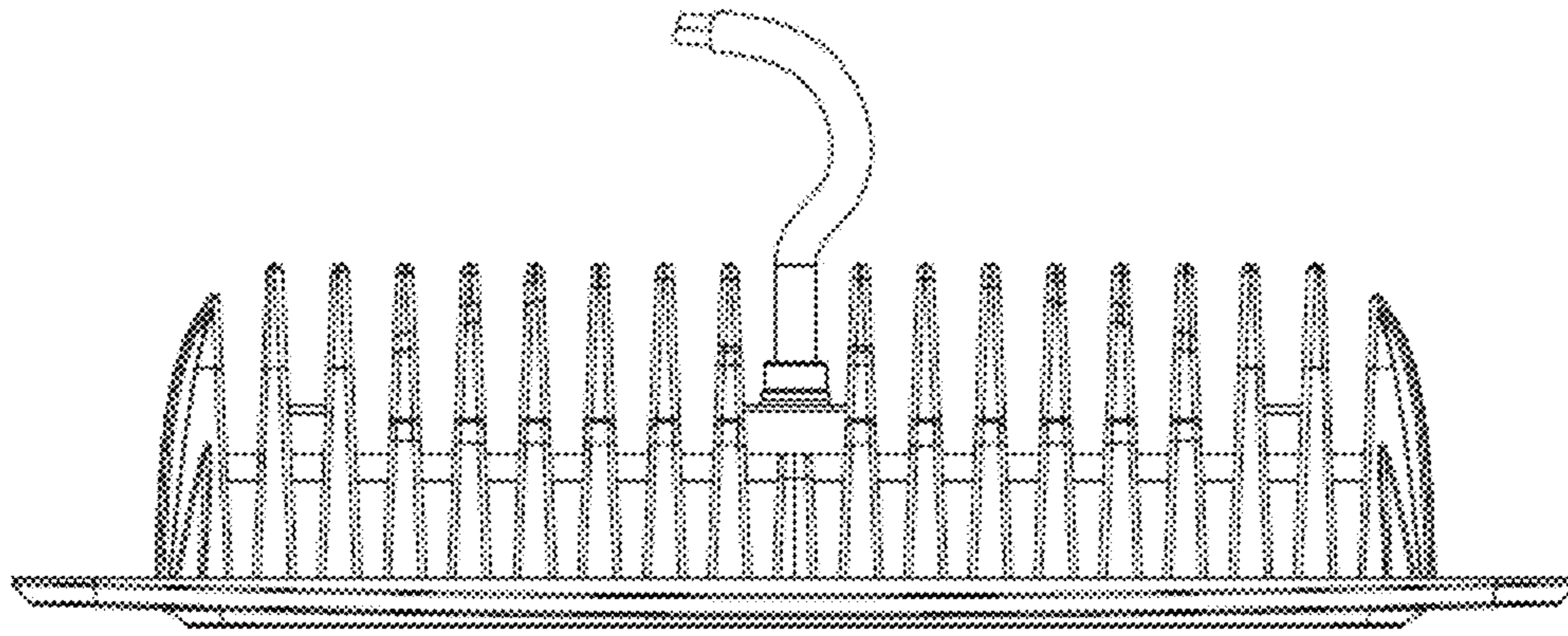


FIG. 5

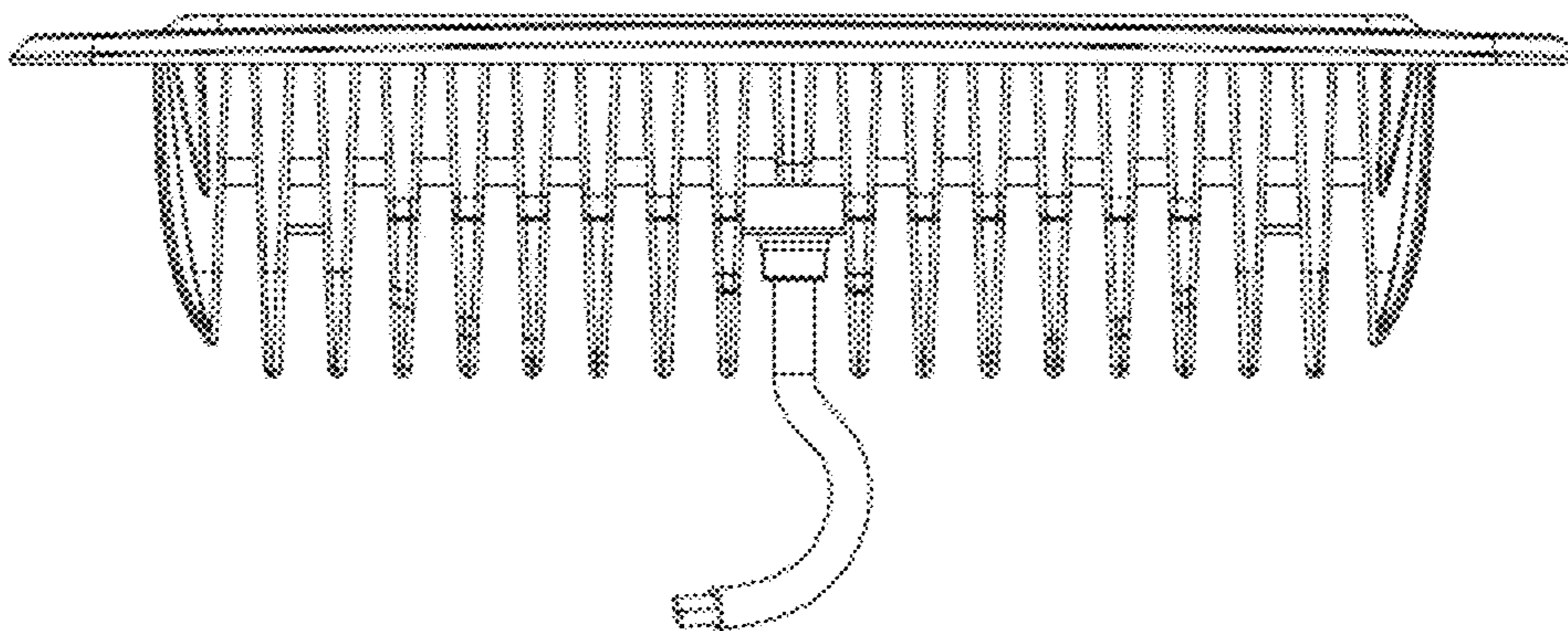


FIG. 6

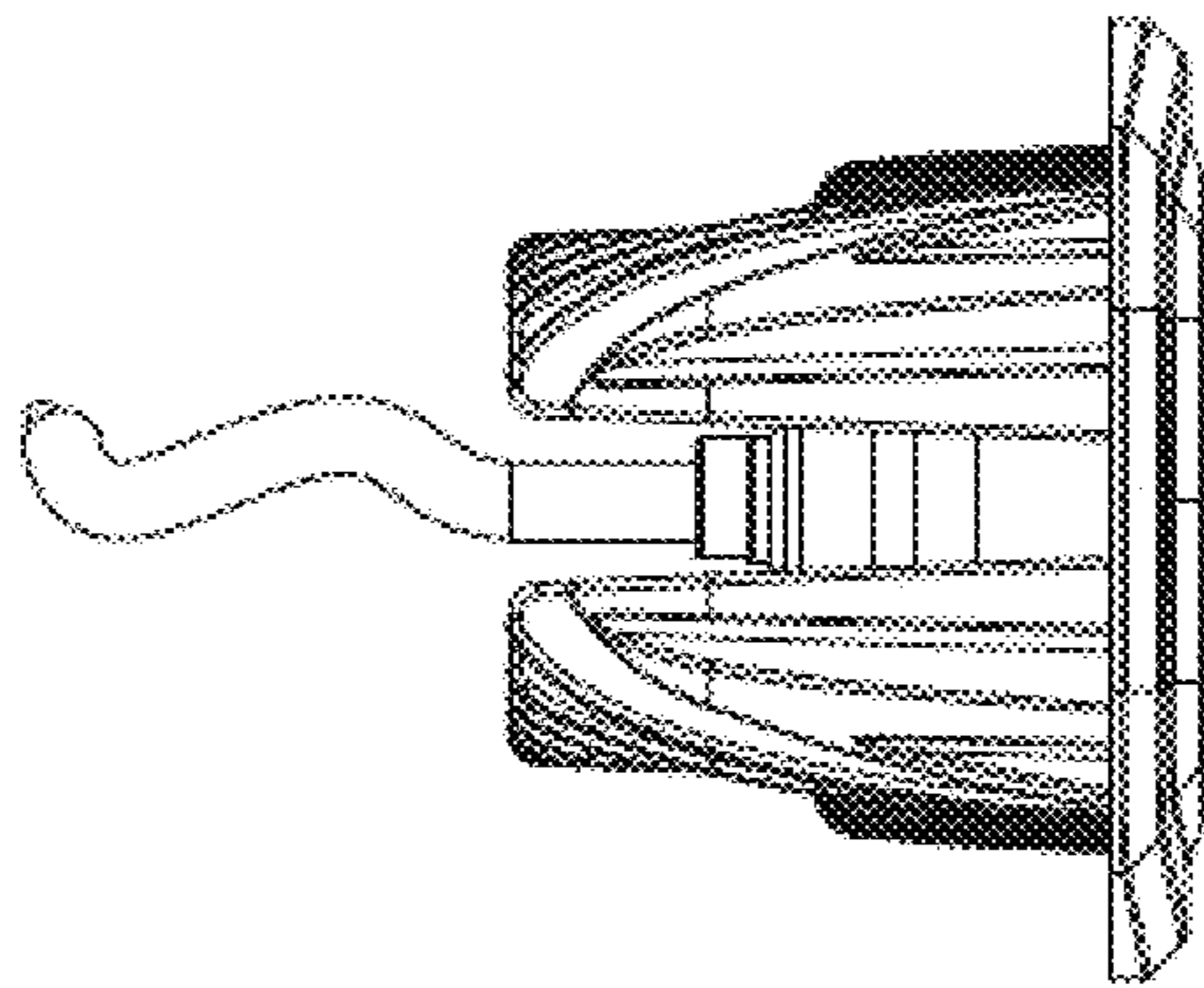


FIG. 7

