

US00D759269S

(12) **United States Design Patent**  
**Lai**

(10) **Patent No.:** **US D759,269 S**

(45) **Date of Patent:** **\*\* Jun. 14, 2016**

(54) **LED LAMP**

(71) Applicant: **Chung-Ping Lai**, Hsinchu County (TW)

(72) Inventor: **Chung-Ping Lai**, Hsinchu County (TW)

(\*\*) Term: **14 Years**

(21) Appl. No.: **29/515,757**

(22) Filed: **Jan. 27, 2015**

(51) **LOC (10) Cl.** ..... **26-04**

(52) **U.S. Cl.**  
USPC ..... **D26/2**

(58) **Field of Classification Search**  
USPC ..... D26/1-4, 113, 118; 313/313, 315, 316,  
313/317, 318, 493; 315/52, 53, 56, 57, 58;  
D13/179

CPC ..... F21K 9/135; F21K 9/1375; F21K 9/13  
See application file for complete search history.

(56) **References Cited**

**U.S. PATENT DOCUMENTS**

- D644,765 S \* 9/2011 Su ..... D26/2
- D666,340 S \* 8/2012 Sakamoto ..... D26/2
- D671,241 S \* 11/2012 Sakamoto ..... D26/2

- D689,630 S \* 9/2013 McGuire ..... D26/2
- D708,361 S \* 7/2014 McGuire ..... D26/2
- D742,558 S \* 11/2015 Bukkems ..... D26/2
- D743,058 S \* 11/2015 Oonaka ..... D26/2
- D744,125 S \* 11/2015 Cai ..... D26/2

\* cited by examiner

*Primary Examiner* — Ian Simmons

*Assistant Examiner* — Harold Blackwell, II

(57) **CLAIM**

The ornamental design for a LED lamp, as shown and described.

**DESCRIPTION**

FIG. 1 is a perspective view of a LED lamp showing my new design;

FIG. 2 is a front elevational view thereof;

FIG. 3 is a rear elevational view thereof;

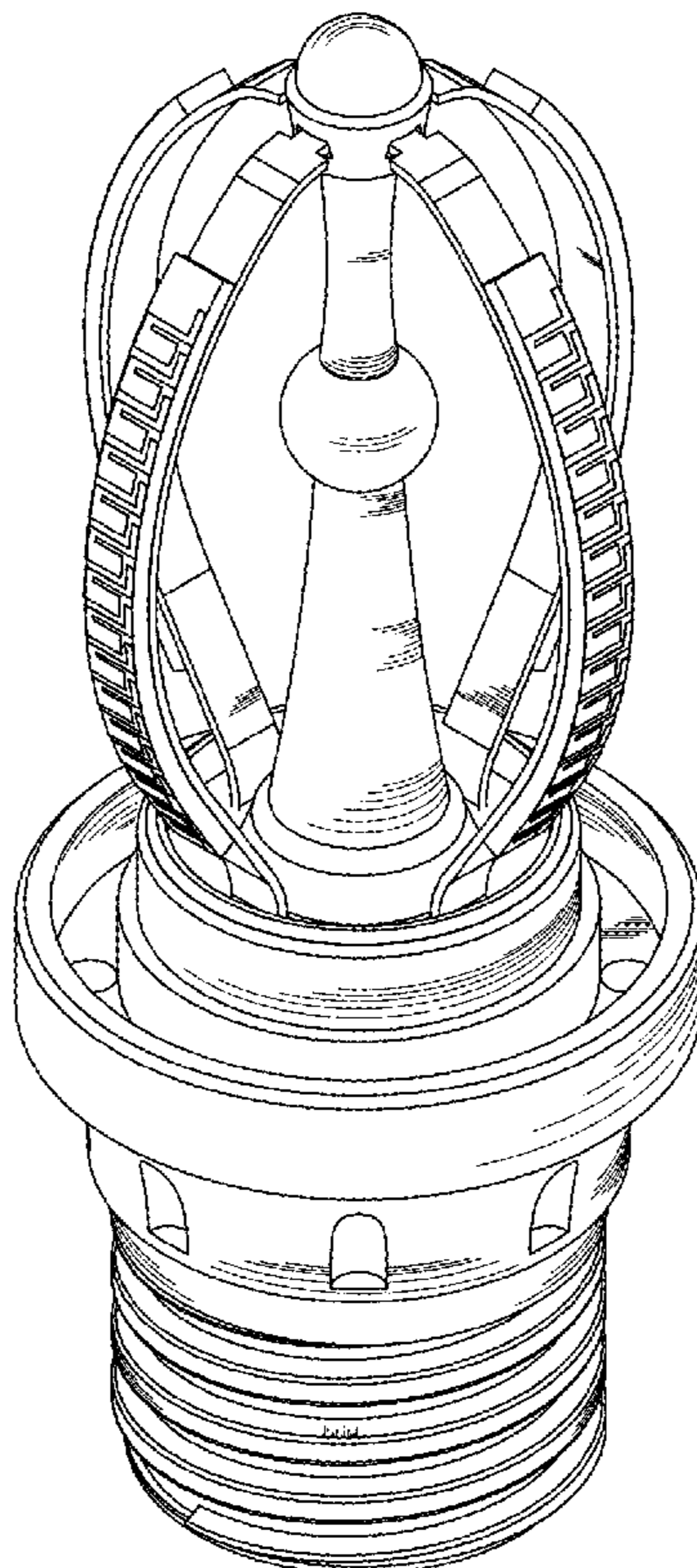
FIG. 4 is a left side elevational view thereof;

FIG. 5 is a left side elevational view thereof;

FIG. 6 is a top plan view thereof; and,

FIG. 7 is a bottom plan view thereof.

**1 Claim, 7 Drawing Sheets**



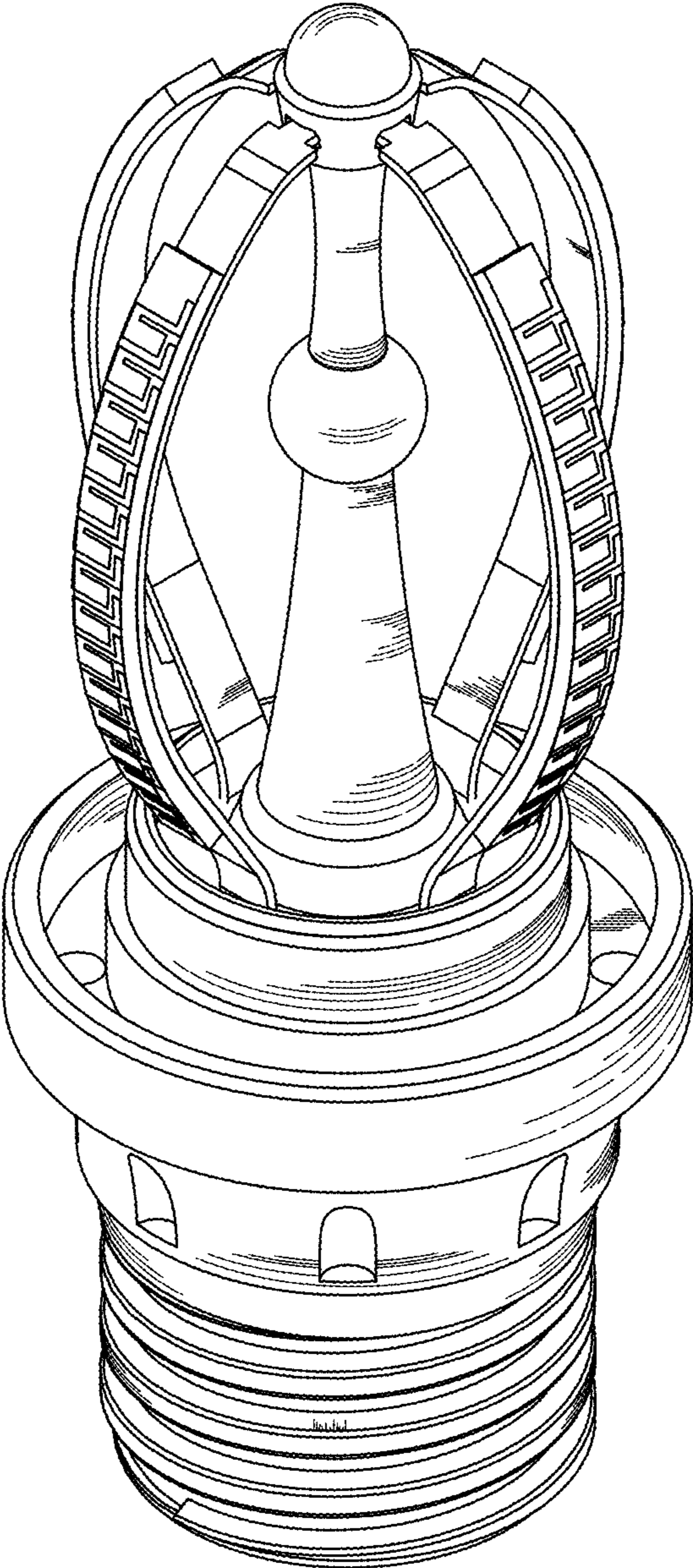


FIG. 1

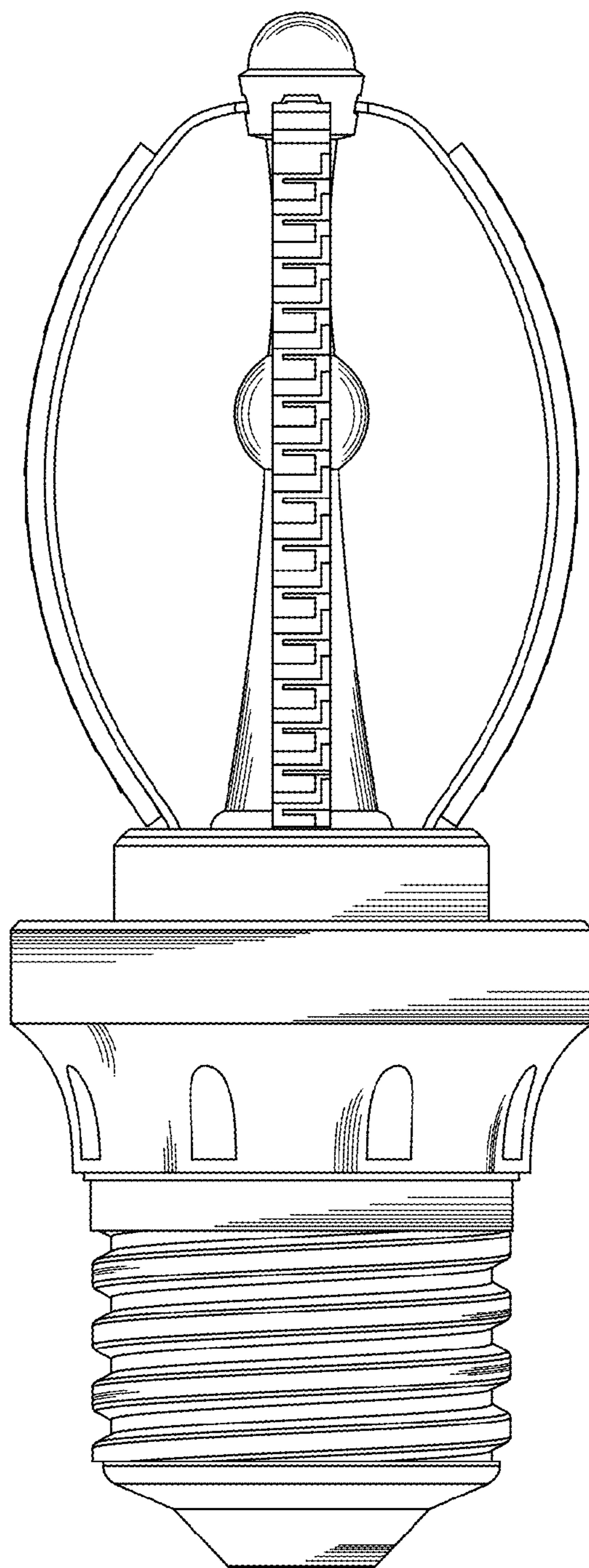


FIG. 2

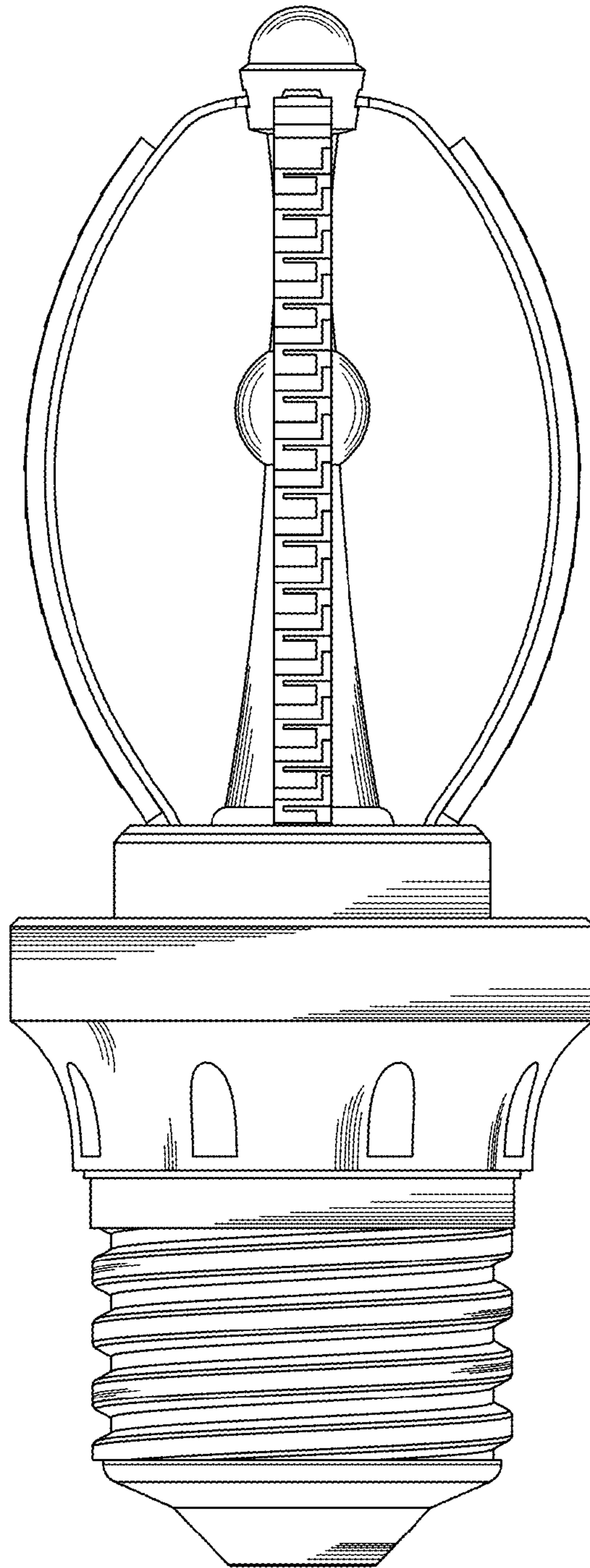


FIG. 3



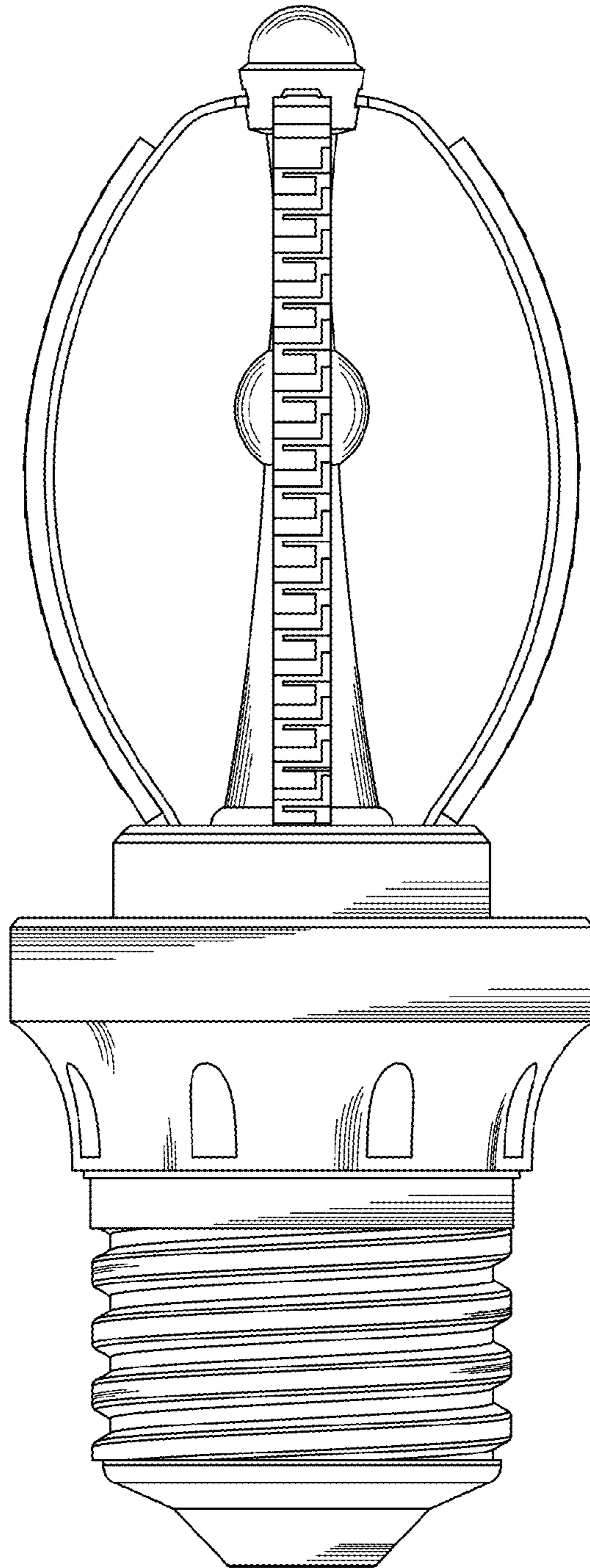


FIG. 4

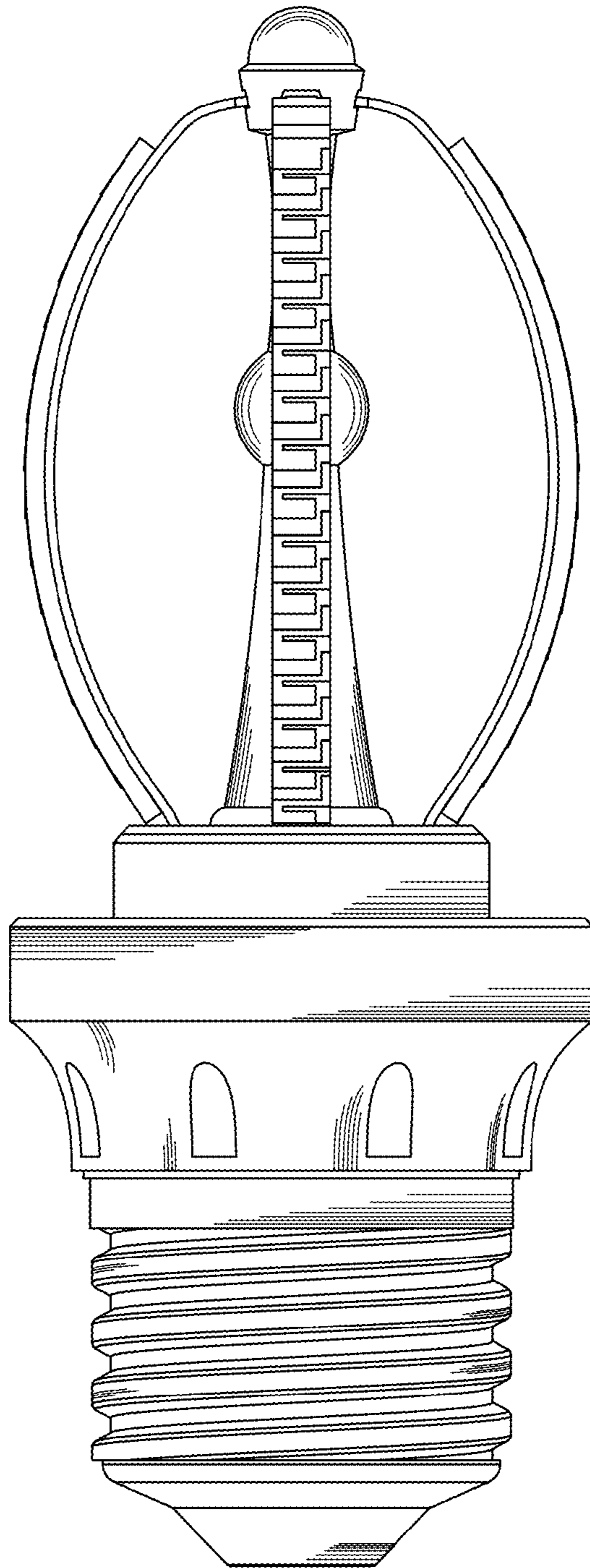


FIG. 5

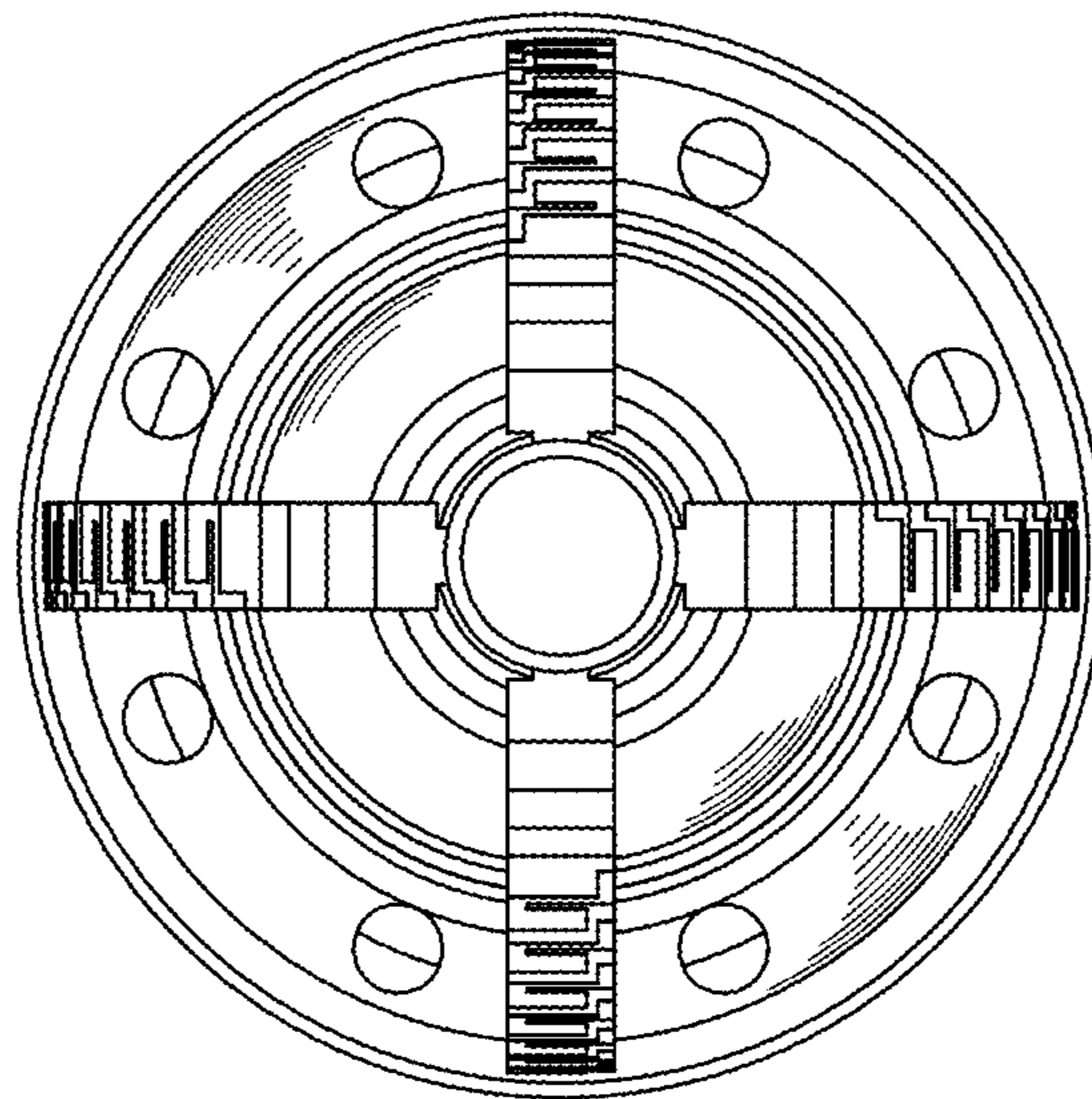


FIG. 6

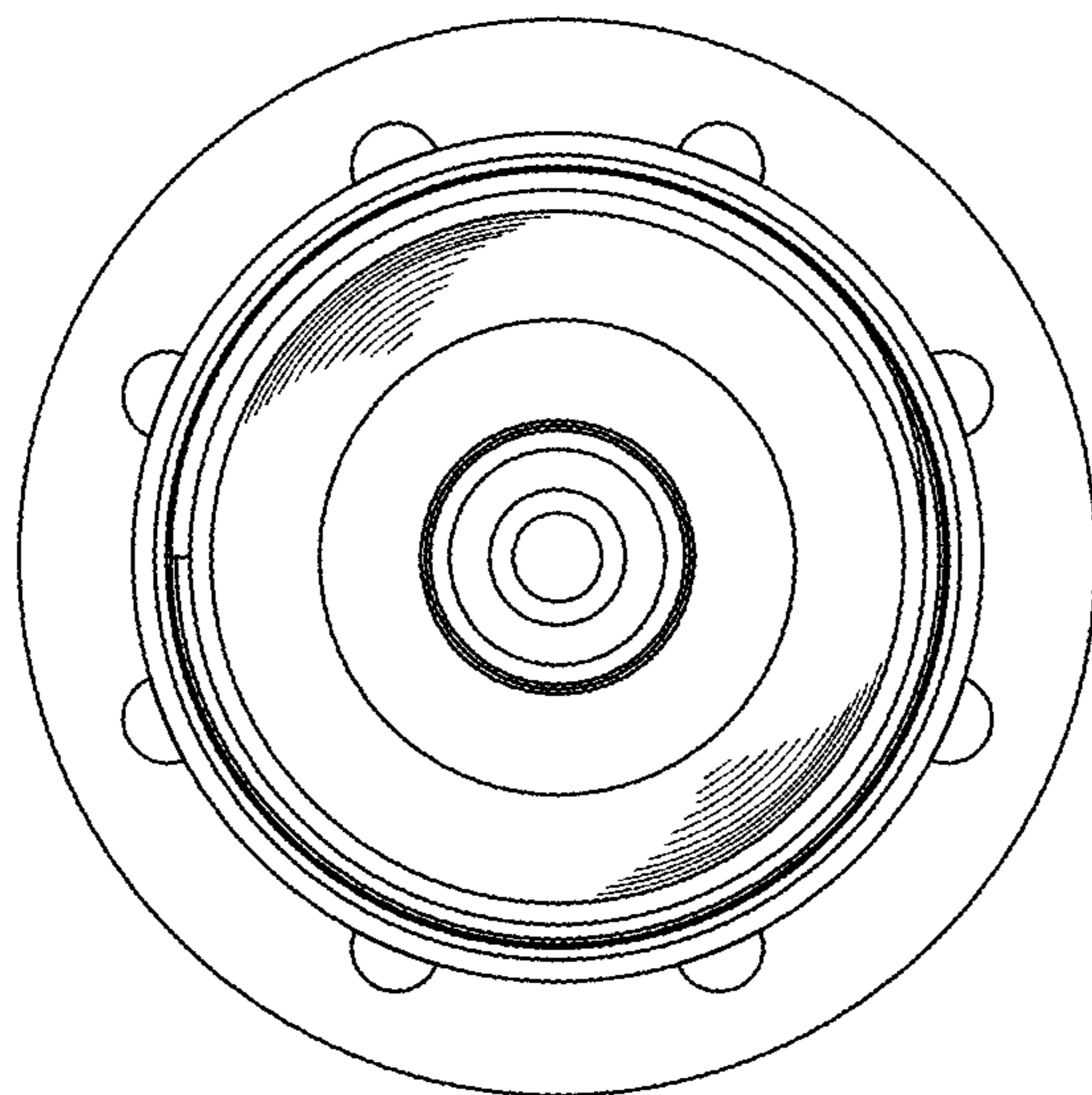


FIG. 7