



US00D759268S

(12) **United States Design Patent**
Tan et al.

(10) **Patent No.:** **US D759,268 S**
(45) **Date of Patent:** **** Jun. 14, 2016**

(54) **MEDICAL TEST CARTRIDGE**
(71) Applicant: **Access Medical Systems, LTD.**, Palo Alto, CA (US)
(72) Inventors: **Hong Tan**, San Jose, CA (US); **Genqian Li**, Shanghai (CN); **Ming Xia**, Shanghai (CN); **Yongli Ren**, Shanghai (CN)
(73) Assignee: **ACCESS MEDICAL SYSTEMS, LTD.**, Palo Alto, CA (US)

5,687,849 A * 11/1997 Borenstein F16L 3/227
206/443
5,700,429 A * 12/1997 Buhler B01L 9/06
206/443
D413,391 S * 8/1999 Lapeus D24/227
D417,009 S * 11/1999 Boyd D24/227
D421,130 S * 2/2000 Cohen D24/229
D428,497 S * 7/2000 Lapeus D24/227
D433,759 S * 11/2000 Mathis D24/227
7,000,785 B2 * 2/2006 Jafari B01L 9/06
211/60.1
D533,947 S * 12/2006 Gomm D24/227
D596,312 S * 7/2009 Giraud D24/230

(**) Term: **15 Years**

(21) Appl. No.: **29/537,860**

(22) Filed: **Aug. 28, 2015**

(Continued)
Primary Examiner — T. Chase Nelson
Assistant Examiner — Mark Cavanna
(74) *Attorney, Agent, or Firm* — Perkins Coie LLP; Yiming Zhang

Related U.S. Application Data

(62) Division of application No. 29/464,111, filed on Aug. 13, 2013, now Pat. No. Des. 737,993.

(51) **LOC (10) Cl.** **24-02**

(52) **U.S. Cl.**
USPC **D24/224**

(58) **Field of Classification Search**
USPC D24/216, 223–232, 107, 169, 186;
D10/81; 206/446, 443; 422/63–67,
422/68.1, 104, 560–561; 211/74, 60.1;
435/283.1, 289.1, 303.1, 305.1, 305.2,
435/305.3
CPC B65D 85/20; B01L 9/06; B01L 9/52;
A47F 7/0028; G01N 35/00029; G01N 35/025;
G01N 35/026; G01N 35/00009; B01J
19/0046; B01J 2219/00596; C12M 27/02;
C12M 41/14; C12M 1/22; C12M 1/20;
C12M 23/12

See application file for complete search history.

(56) **References Cited**

U.S. PATENT DOCUMENTS

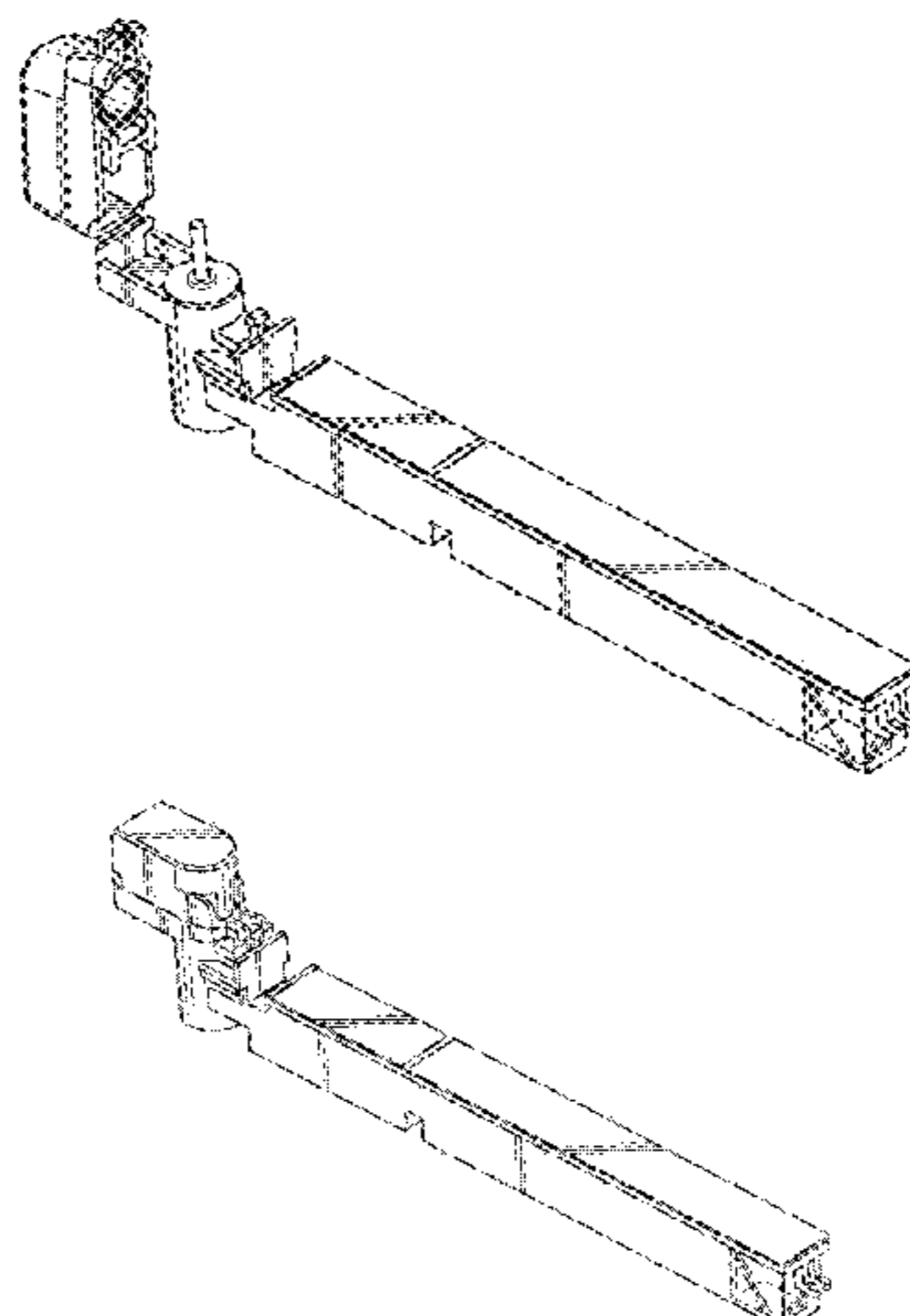
5,186,339 A * 2/1993 Heissler B01L 9/06
206/443
D382,346 S * 8/1997 Buhler D24/227

(57) **CLAIM**
The ornamental design for a medical test cartridge, as shown and described.

DESCRIPTION

FIG. 1 is a perspective view of the ornamental design for a medical test cartridge made of opaque material with a cap opened, as seen from the front, top side.
FIG. 2 is a front elevational view thereof, the bottom elevational view being mirror symmetrical;
FIG. 3 is a left elevational view thereof;
FIG. 4 is a right elevational view thereof;
FIG. 5 is a top plan view thereof;
FIG. 6 is a bottom plan view thereof;
FIG. 7 is a perspective view of the ornamental design for the medical test cartridge made of opaque material with the cap closed, as seen from the front, top side.
FIG. 8 is a front elevational view thereof, the bottom elevational view being mirror symmetrical;
FIG. 9 is a left elevational view thereof;
FIG. 10 is a right elevational view thereof;
FIG. 11 is a top plan view thereof; and,
FIG. 12 is a bottom plan view thereof.

1 Claim, 8 Drawing Sheets



US D759,268 S

Page 2

(56)

References Cited

U.S. PATENT DOCUMENTS

D665,095 S *	8/2012	Wilson	D24/227	
D669,597 S *	10/2012	Cavada	D24/216	* cited by examiner
D672,881 S *	12/2012	Kraihanzel	D24/224	
D672,882 S *	12/2012	Wiltsie	D24/224	
D675,338 S *	1/2013	Suzuki	D24/229	

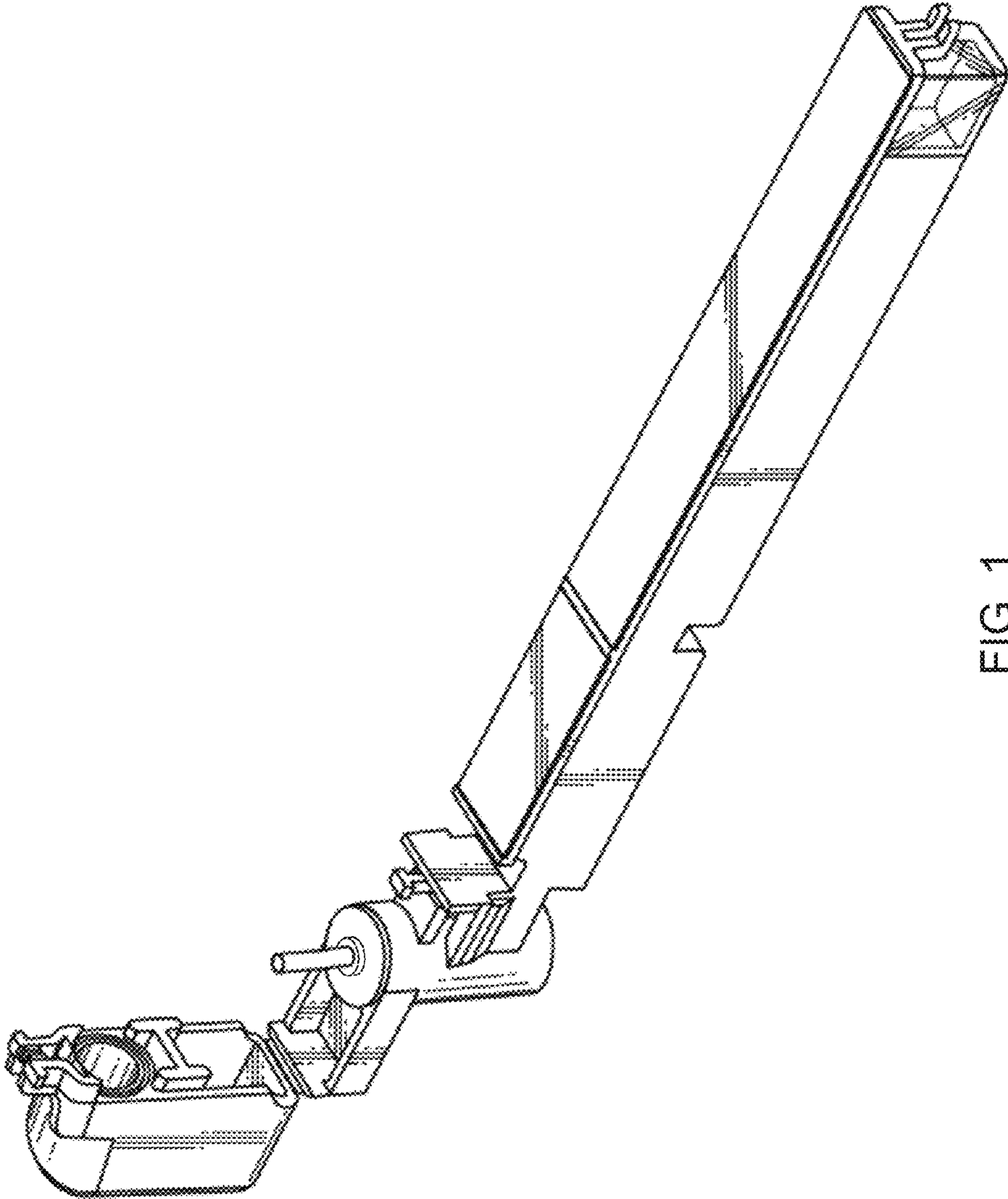


FIG. 1

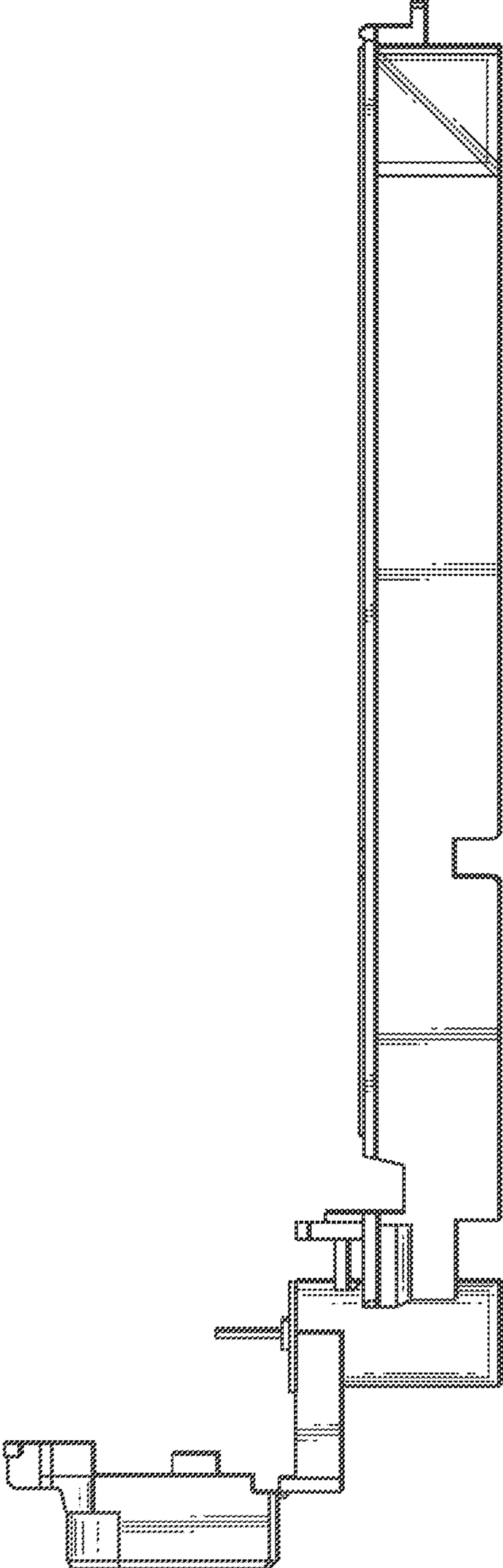


FIG. 2

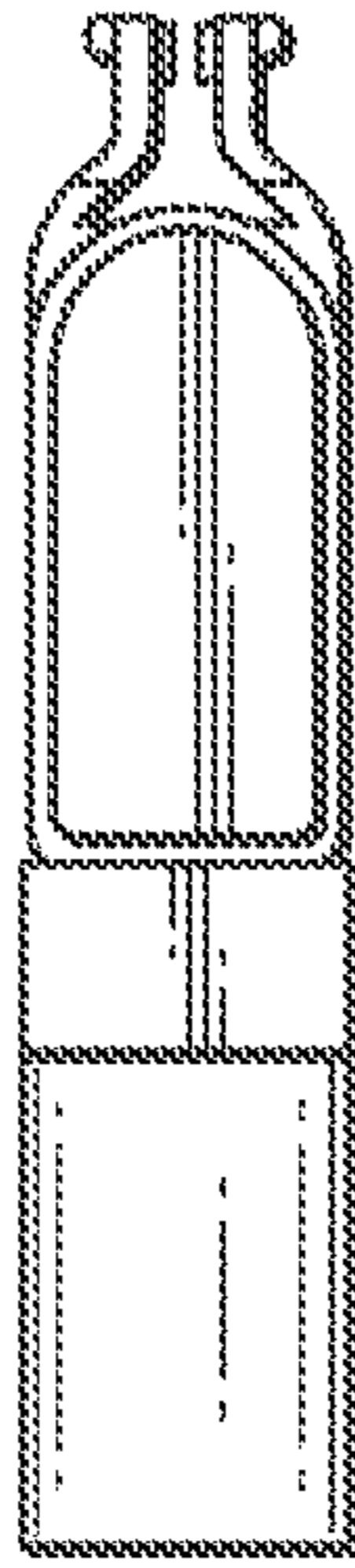


FIG. 3

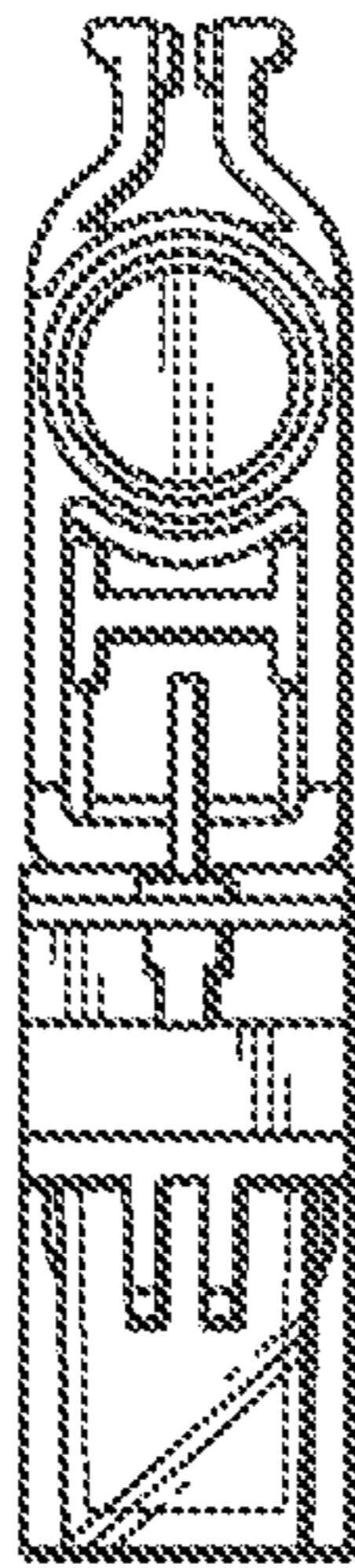


FIG. 4

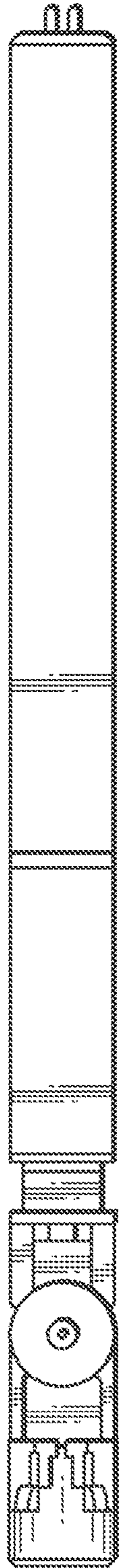


FIG. 5

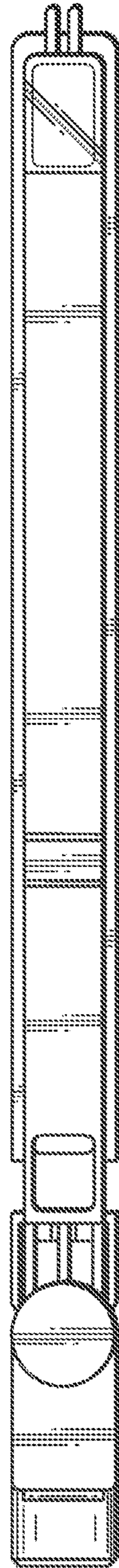


FIG. 6

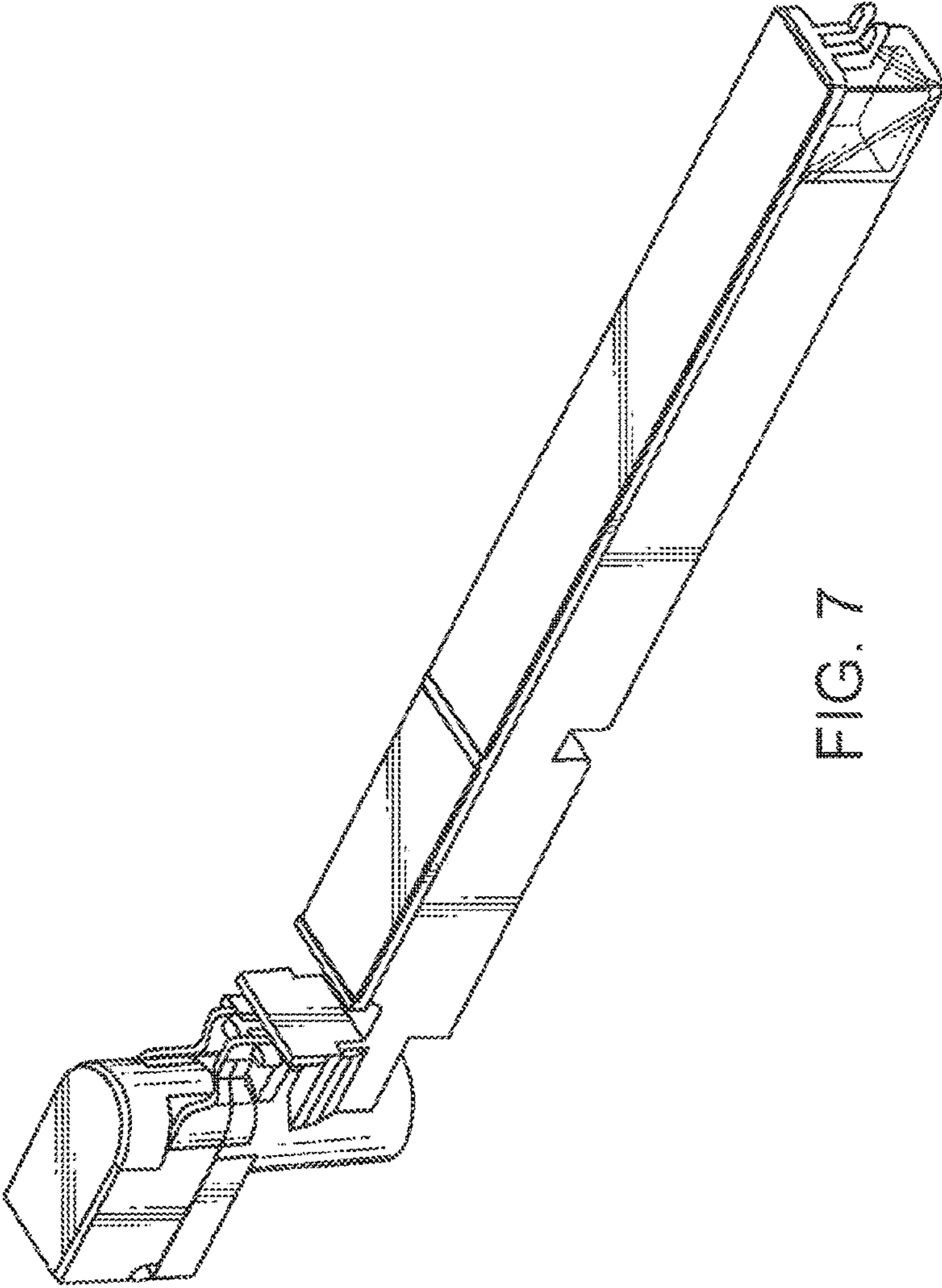


FIG. 7

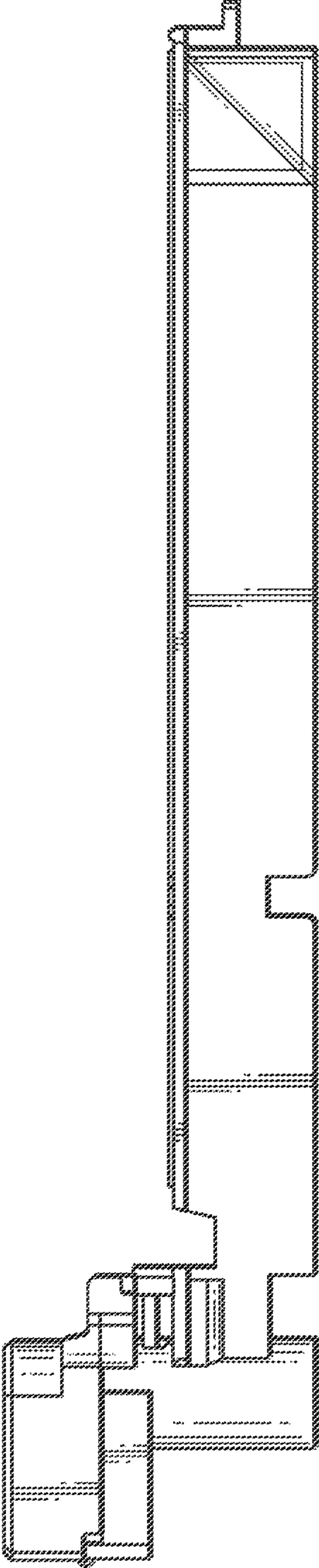


FIG. 8

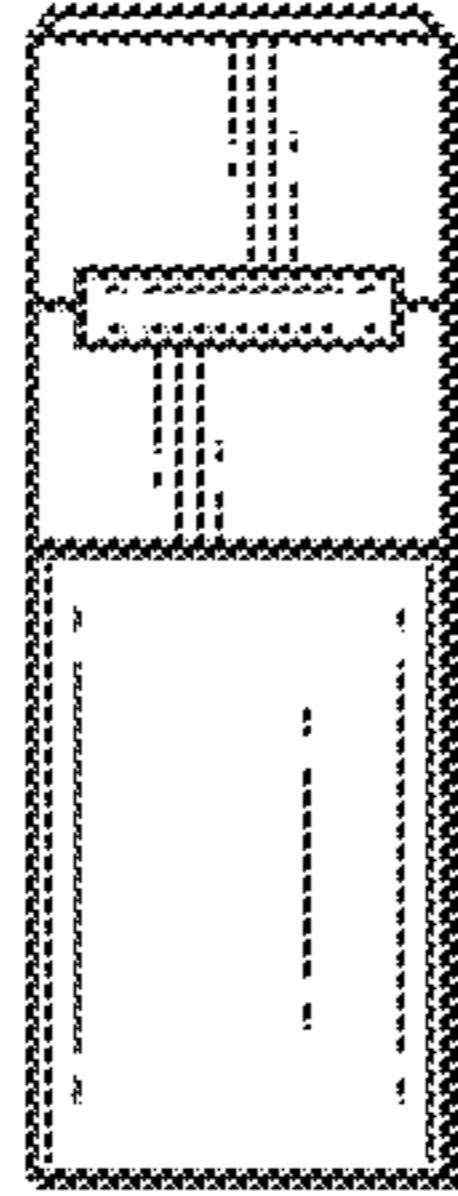


FIG. 9

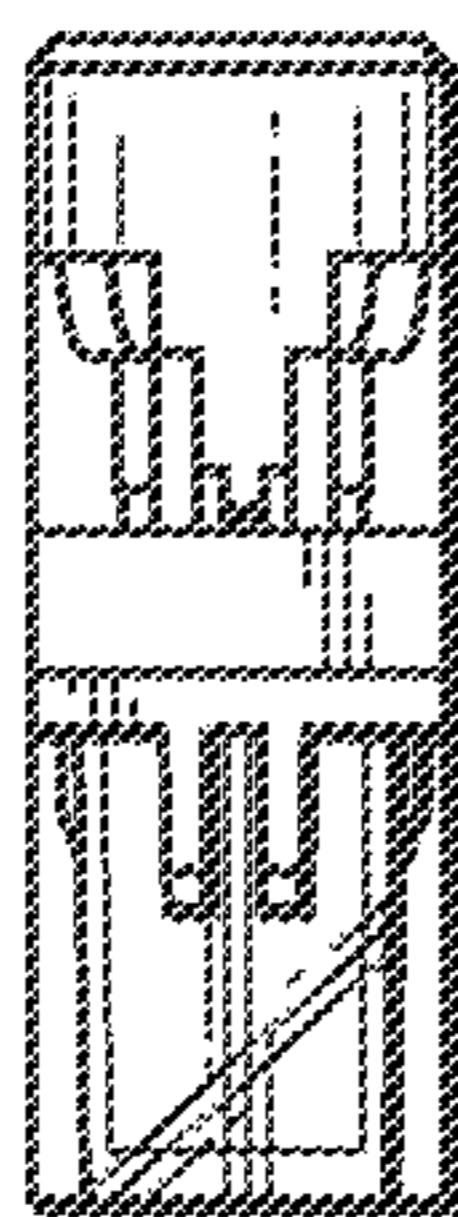


FIG. 10

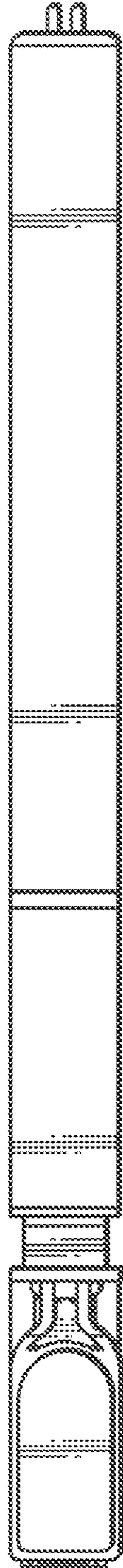


FIG. 11

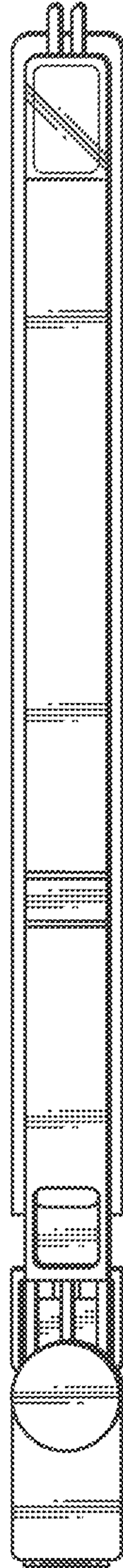


FIG. 12