



US00D759266S

(12) **United States Design Patent**
Koop

(10) **Patent No.:** **US D759,266 S**
(45) **Date of Patent:** **** Jun. 14, 2016**

(54) **THERMOMIXER**
(71) Applicant: **Eppendorf AG**, Hamburg (DE)
(72) Inventor: **Norbert Koop**, Hamburg (DE)
(73) Assignee: **Eppendorf AG**, Hamburg (DE)
(**) Term: **14 Years**

13/0059; B01F 13/0064; B01L 7/52; B01L 99/00; B02C 1/08; B02C 2/04; B02C 4/42; B02C 4/142; B02C 4/143; B02C 4/423; B02C 13/1835; B04B 1/00; B28C 5/10; B28C 5/12; B28C 5/14; B28C 5/16; G01G 3/14

See application file for complete search history.

(21) Appl. No.: **29/525,904**
(22) Filed: **May 4, 2015**

Related U.S. Application Data

(62) Division of application No. 29/446,595, filed on Feb. 26, 2013, now Pat. No. Des. 731,237.

Foreign Application Priority Data

Aug. 27, 2012 (DE) 40 2012 003 936
Aug. 27, 2012 (DE) 40 2012 003 937
Aug. 27, 2012 (DE) 40 2012 003 938
Aug. 27, 2012 (DE) 40 2012 003 940
Aug. 27, 2012 (DE) 40 2012 003 941
Aug. 27, 2012 (DE) 40 2012 003 943
Aug. 27, 2012 (DE) 40 2012 003 944
Aug. 27, 2012 (DE) 40 2012 003 945
Aug. 27, 2012 (DE) 40 2012 003 946
Aug. 27, 2012 (DE) 40 2012 003 947
Aug. 27, 2012 (DE) 40 2012 003 948

(51) **LOC (10) Cl.** **24-00**
(52) **U.S. Cl.**
USPC **D24/220**

(58) **Field of Classification Search**
USPC D7/372, 376-386, 412-413, 602, 629, D7/665-666, 669, 679, 693-694; D15/147; D24/158, 217, 220
CPC A21C 1/02; A21C 1/04; A23N 1/00; A23N 1/02; A47J 43/04; A47J 43/25; A47J 43/27; A47J 43/042; A47J 43/044; A47J 43/046; A47J 43/075; A47J 43/0722; A47J 43/0727; B01F 3/00; B01F 3/0807; B01F 3/0853; B01F 9/12; B01F 11/0014; B01F

(56) **References Cited**

U.S. PATENT DOCUMENTS

3,244,363 A * 4/1966 Hein B04B 1/00 494/1
3,310,292 A * 3/1967 Moore B01F 9/12 366/111

(Continued)

Primary Examiner — Ricky Pham

(74) *Attorney, Agent, or Firm* — White & Case LLP

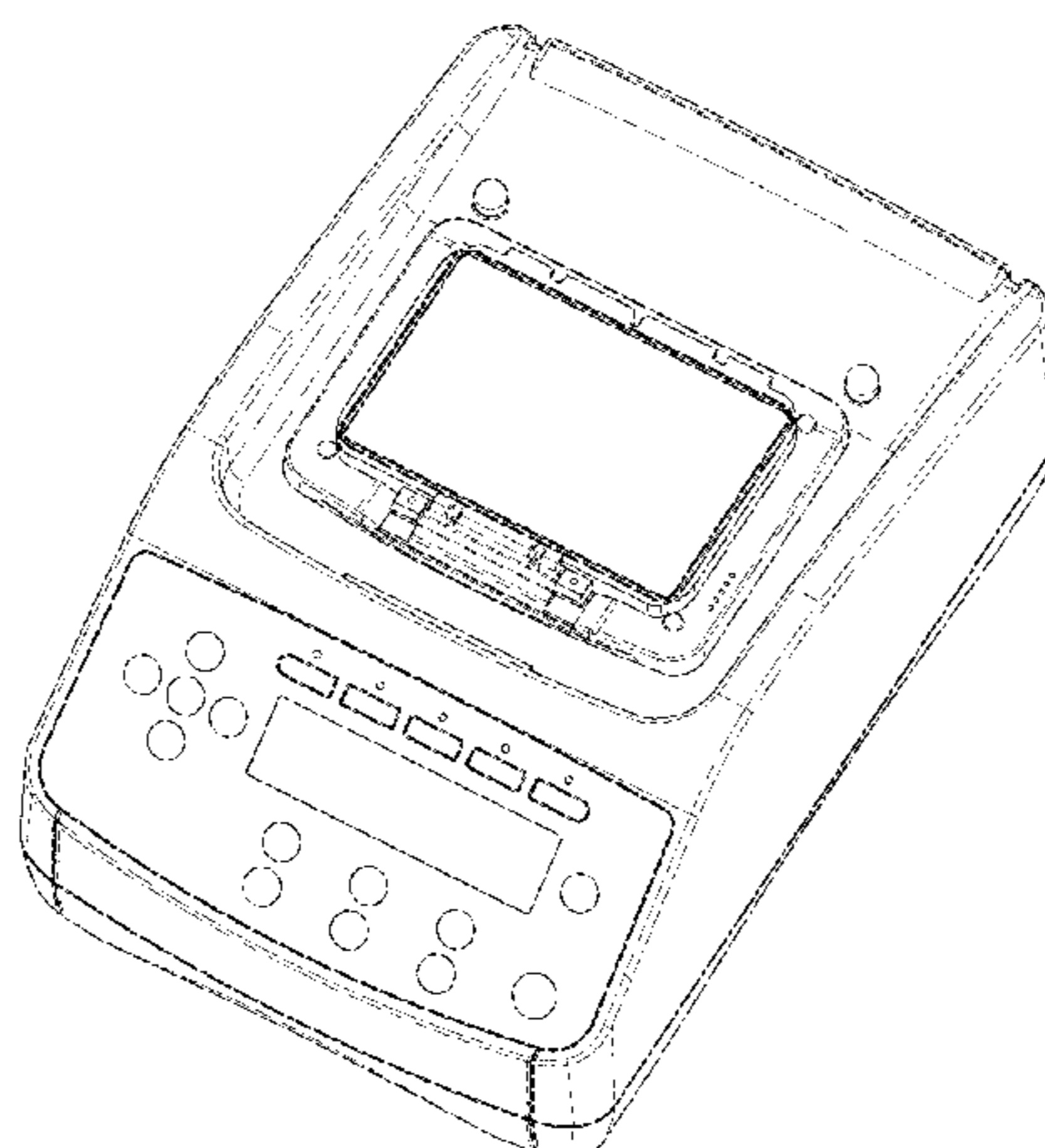
(57) **CLAIM**

The ornamental design for a thermomixer, as shown and described.

DESCRIPTION

FIG. 1 is a front perspective view of a thermomixer showing the new design;
FIG. 2 is a top plan view thereof;
FIG. 3 is a left side view thereof; and
FIG. 4 is a right side view thereof.
FIG. 5 is a front perspective view of the thermomixer shown in FIG. 1 with a retainer element affixed to the top of the thermomixer.
FIG. 6 is a front perspective view of the thermomixer shown in FIG. 5 having an embodiment of a thermoblock installed in the retainer element;
FIG. 7 is a top plan view of the thermomixer shown in FIG. 6;
FIG. 8 is a left side view thereof; and
FIG. 9 is a right side view thereof.
The broken lines shown in the drawings are for illustrative purposes only and form no part of the claimed design.

1 Claim, 9 Drawing Sheets



(56)

References Cited

U.S. PATENT DOCUMENTS

4,061,315	A *	12/1977	Eitzen	B01F 11/0014	8,016,478	B2	9/2011	Ebers et al.
				209/366	D660,453	S *	5/2012	Jani
D258,085	S *	1/1981	Porteous	D24/221	D664,304	S *	7/2012	Whelan
D259,133	S *	5/1981	Klawitter	D21/525	D671,356	S *	11/2012	Huang et al.
D259,387	S *	6/1981	Levin	D7/386	8,317,389	B2 *	11/2012	Jagle
4,305,668	A *	12/1981	Bilbrey	366/111	D676,554	S *	2/2013	Moon
4,541,573	A *	9/1985	Fujiwara et al.	241/36	D688,911	S *	9/2013	Chiarini
D288,600	S *	3/1987	Vander Hout	D24/217	8,550,696	B2 *	10/2013	Ebers et al.
D290,217	S *	6/1987	Levin	D7/386	D695,060	S *	12/2013	Penaherrera et al.
D290,218	S *	6/1987	Thomas	D7/412	D704,502	S *	5/2014	Coakley et al.
5,060,151	A *	10/1991	Mikyska et al.	700/90	8,721,993	B2 *	5/2014	Lockwood et al.
D337,240	S *	7/1993	Levin	D7/386	8,827,540	B2	9/2014	Schafirnski et al.
D339,715	S *	9/1993	Barrault	D7/378	D718,464	S *	11/2014	Schroer
D340,249	S *	10/1993	Steele	D15/147	D731,237	S *	6/2015	Koop
D343,547	S *	1/1994	Levin	D7/386	2002/0027175	A1 *	3/2002	Capp
5,593,228	A *	1/1997	Tannenbaum	366/209	2007/0211566	A1	9/2007	Ebers et al.
D389,696	S *	1/1998	Feil	D7/386	2007/0212265	A1 *	9/2007	Ebers et al.
D404,606	S *	1/1999	Huang	D7/378	2010/0034048	A1 *	2/2010	Jagle
D475,238	S *	6/2003	Feil	D7/376	2010/0124766	A1 *	5/2010	Ng
D532,251	S *	11/2006	Kassenaar	D7/378				435/91.2
D542,084	S *	5/2007	Moore	D7/384	2010/0143197	A1 *	6/2010	Link et al.
D569,988	S *	5/2008	Koop	D24/220	2010/0284238	A1 *	11/2010	Ebers et al.
D591,558	S *	5/2009	Barnard et al.	D7/412	2011/0103175	A1 *	5/2011	Waldmann
D594,696	S *	6/2009	Day et al.	D7/378				366/141
D611,760	S *	3/2010	Ball	D7/378	2011/0165023	A1 *	7/2011	Eble
D638,653	S *	5/2011	Borin	D7/326				B01L 99/00
D641,197	S *	7/2011	Borin	D7/326	2013/0045473	A1 *	2/2013	Duerr
								422/68.1
					2013/0265845	A1	10/2013	Tasch et al.
								B01F 11/0014
								435/3

* cited by examiner

Fig. 1

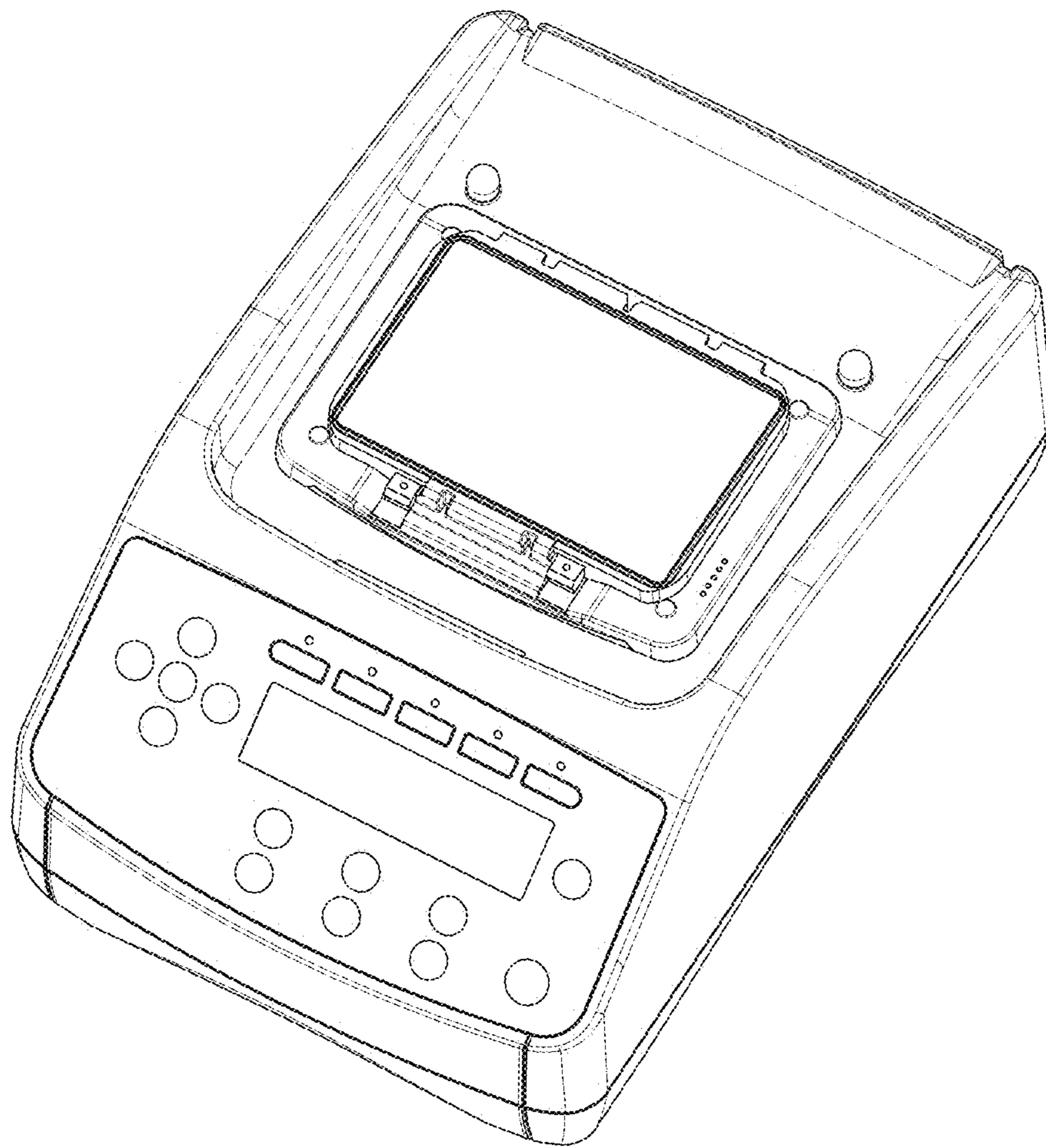


Fig. 2

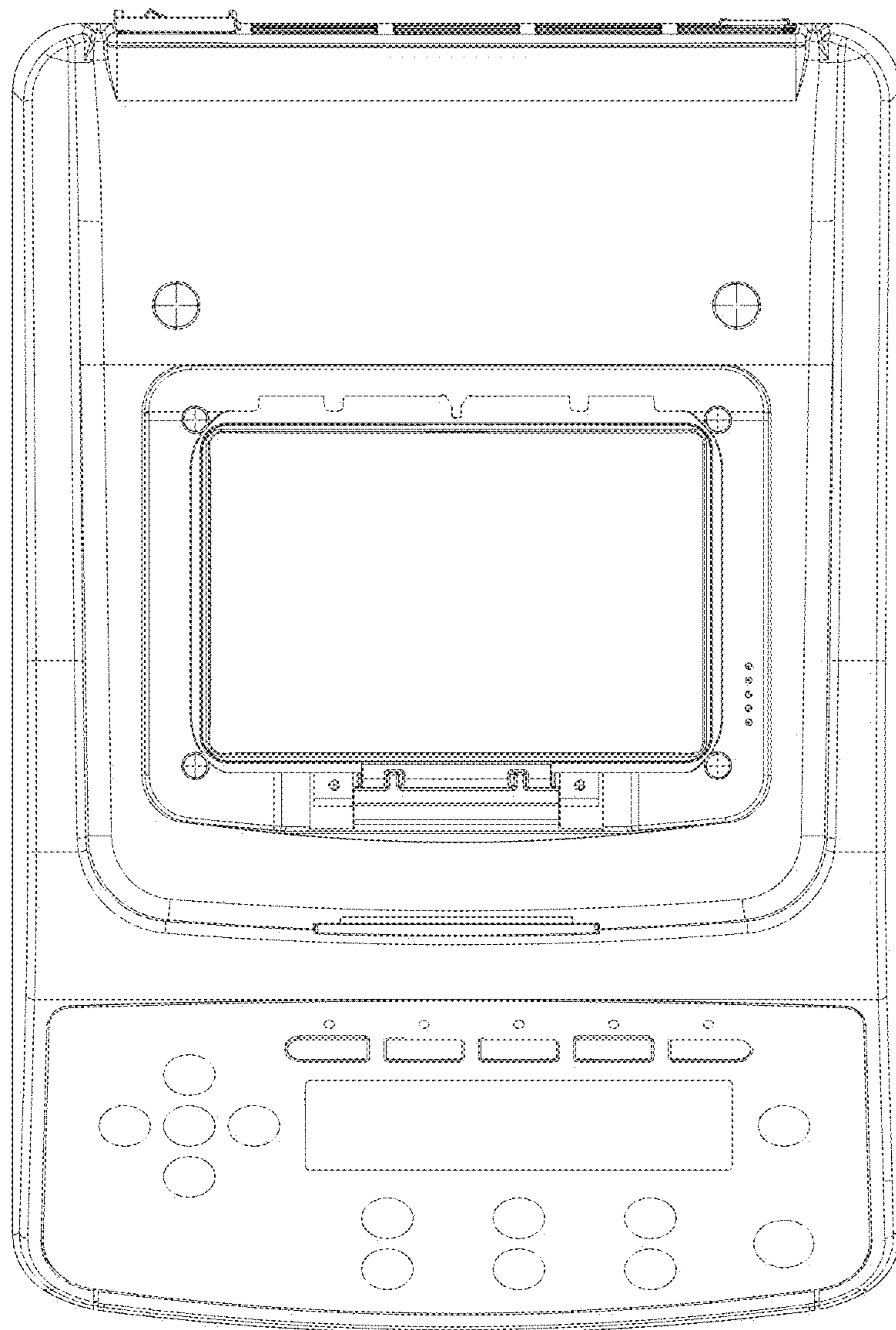


Fig. 3

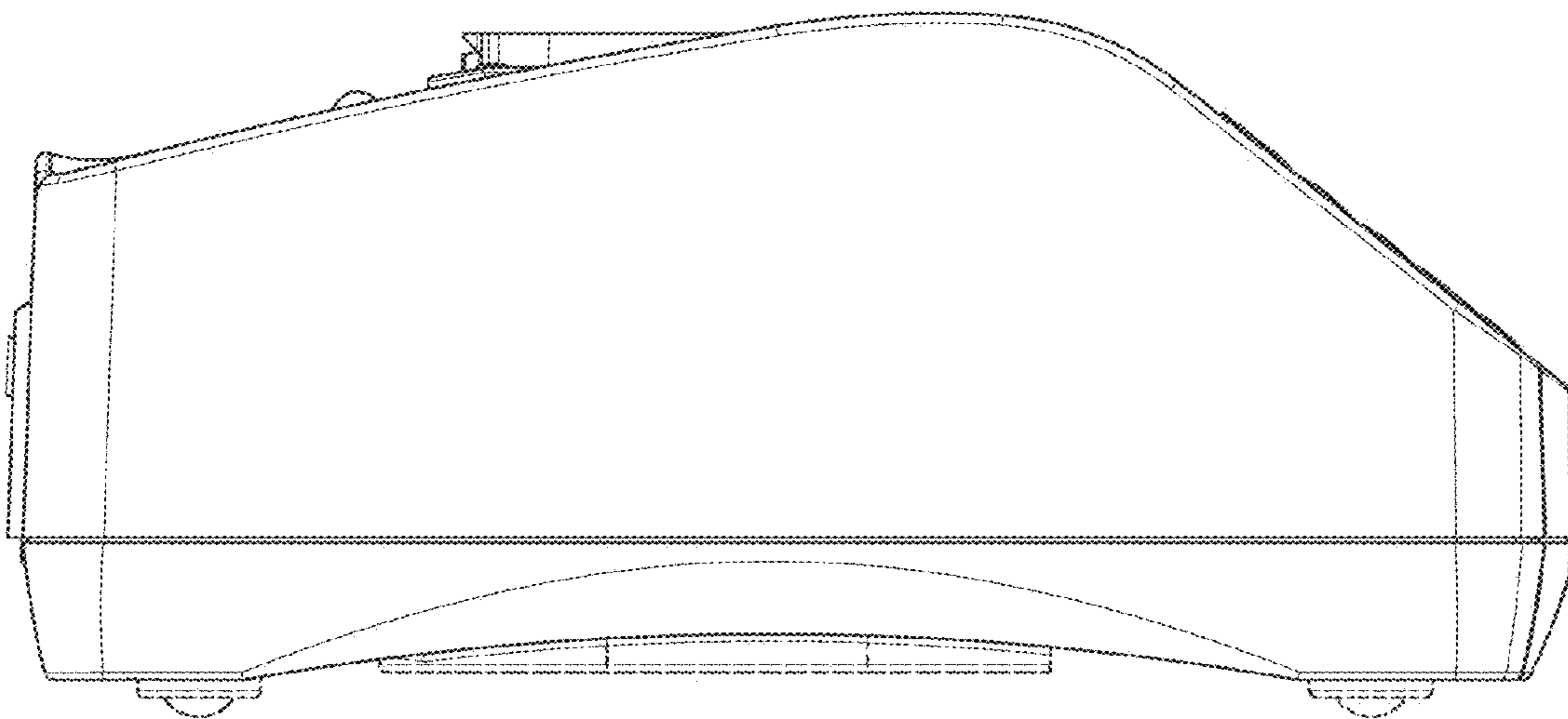


Fig. 4

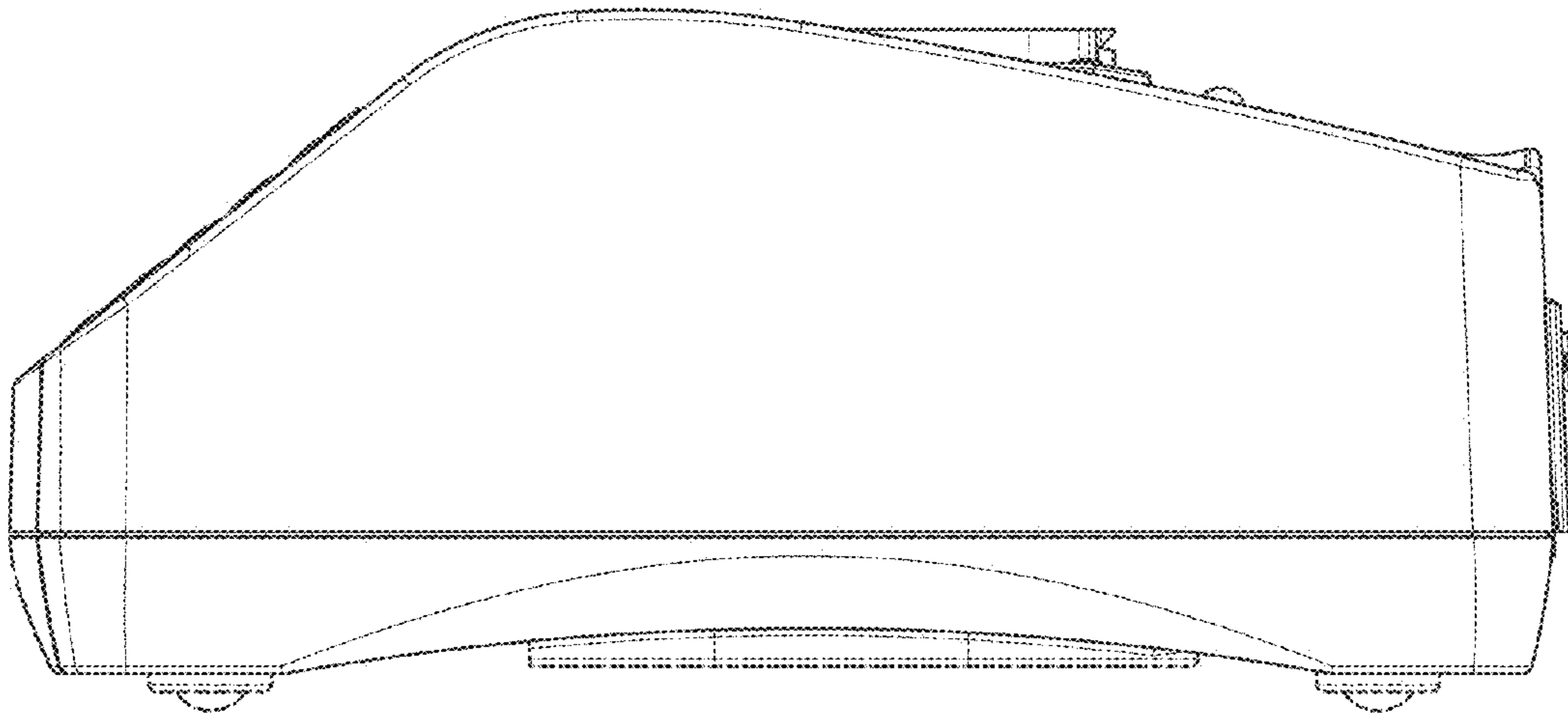


Fig. 5

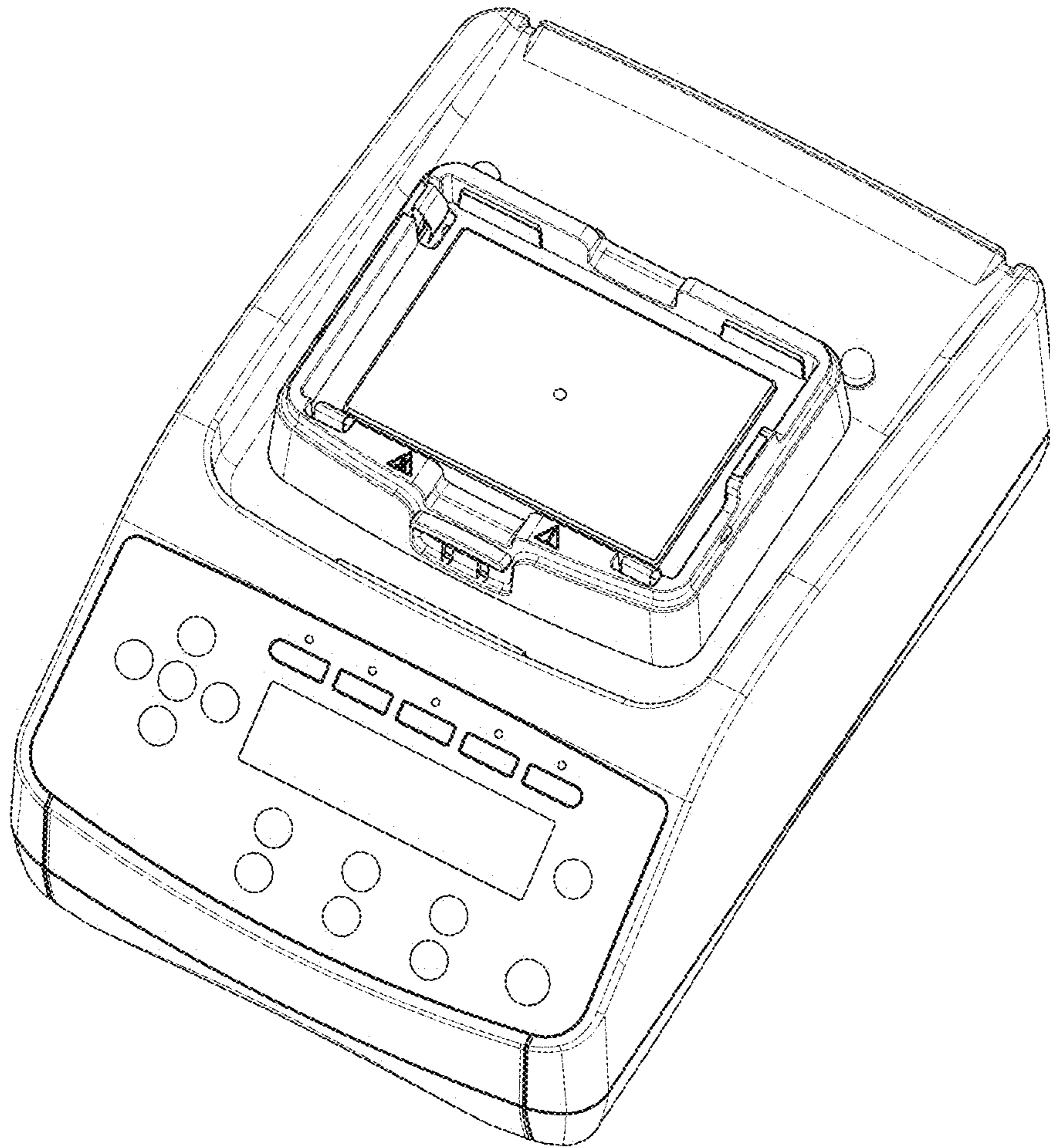


Fig. 6

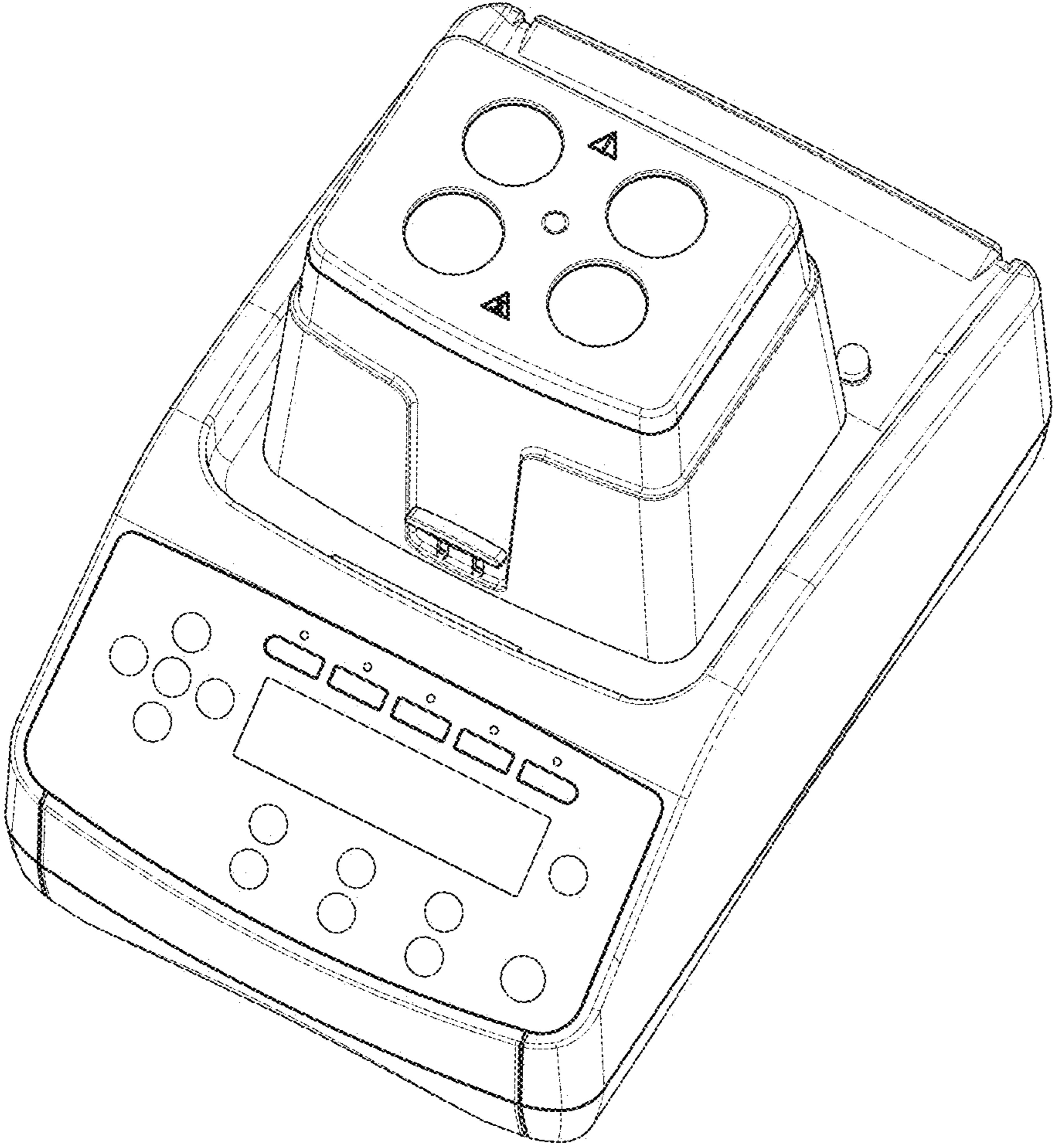


Fig. 7

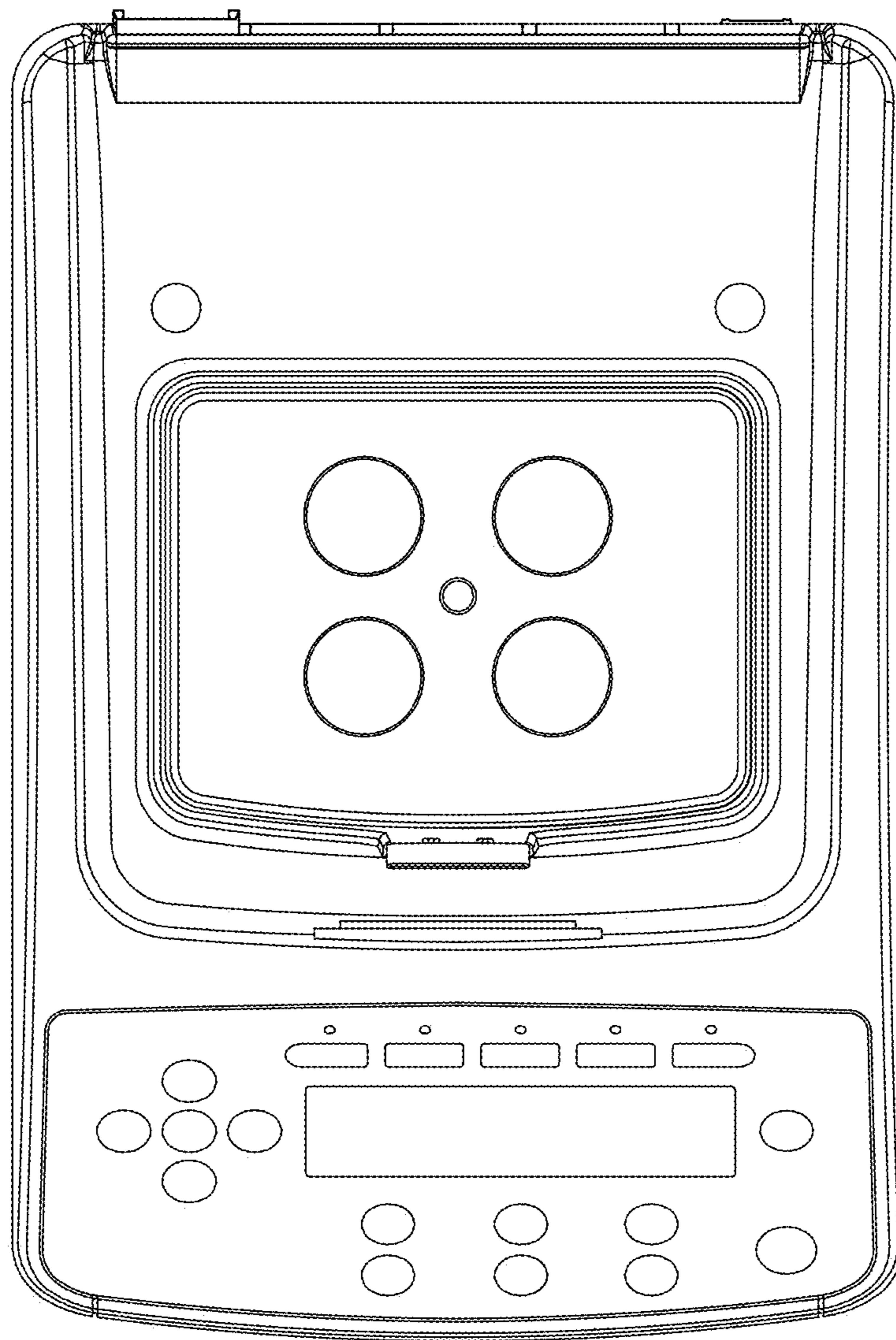


Fig. 8

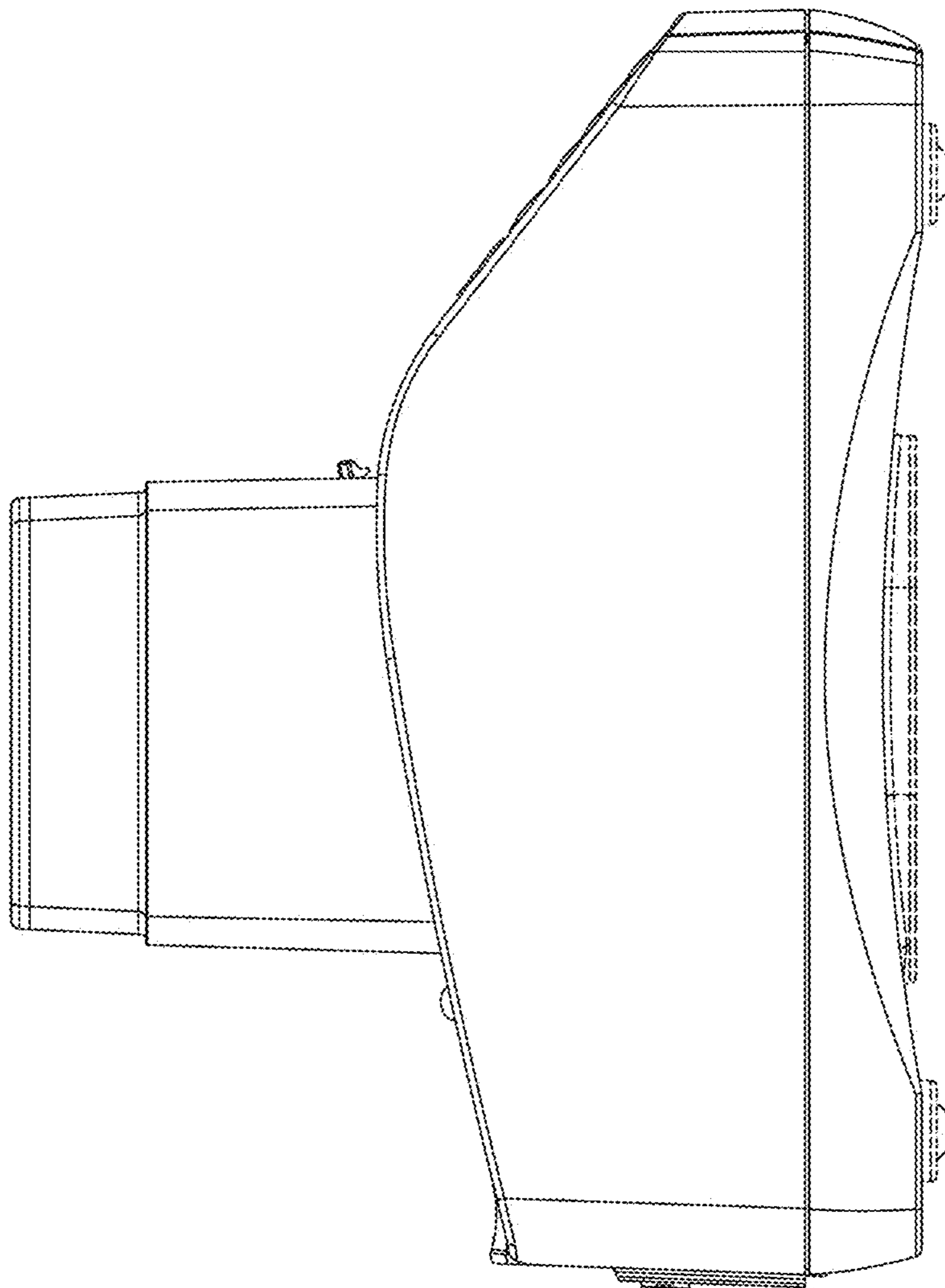


Fig. 9

