



US00D759264S

(12) **United States Design Patent**  
**Latchman-Bloom**

(10) **Patent No.:** **US D759,264 S**

(45) **Date of Patent:** **\*\* Jun. 14, 2016**

(54) **STERILIZATION APPARATUS**

(71) Applicant: **Rose Latchman-Bloom**, London (GB)

(72) Inventor: **Rose Latchman-Bloom**, London (GB)

(\*\*) Term: **14 Years**

(21) Appl. No.: **29/514,427**

(22) Filed: **Jan. 13, 2015**

(30) **Foreign Application Priority Data**

Jul. 18, 2014 (EM) ..... 001417042-0002

(51) **LOC (10) Cl.** ..... **24-01**

(52) **U.S. Cl.**  
USPC ..... **D24/217**

(58) **Field of Classification Search**  
USPC ..... D24/216, 217, 218, 227-232; D32/1,  
D32/25  
CPC ..... A61L 2/26; A61L 2/24; A61L 2/17;  
A61L 2/18; A61L 2/025; A61L 2202/122;  
A61L 2202/10; A61L 2202/11; A61L  
2202/14; A61L 2202/23; A61L 2202/24;  
A61L 2202/182; A61L 2/10; A61L 2/085;  
A61L 2/0047

See application file for complete search history.

(56) **References Cited**

U.S. PATENT DOCUMENTS

4,896,042	A *	1/1990	Humphreys	.....	A61L 9/20 250/435
6,140,657	A *	10/2000	Wakalopoulos	.....	H05H 1/24 250/435
6,242,753	B1 *	6/2001	Sakurai	.....	A61L 2/08 250/455.11
D485,364	S *	1/2004	Lee	.....	D24/217
D581,058	S *	11/2008	Elkerbout	.....	D24/217
7,888,657	B1 *	2/2011	Zadro	.....	A61L 2/10 250/455.11
D687,160	S *	7/2013	Crawford	.....	D24/217
2014/0001374	A1 *	1/2014	Ullman	.....	A61L 2/24 250/428

\* cited by examiner

*Primary Examiner* — Anhdao Doan

(74) *Attorney, Agent, or Firm* — Pearne & Gordon LLP

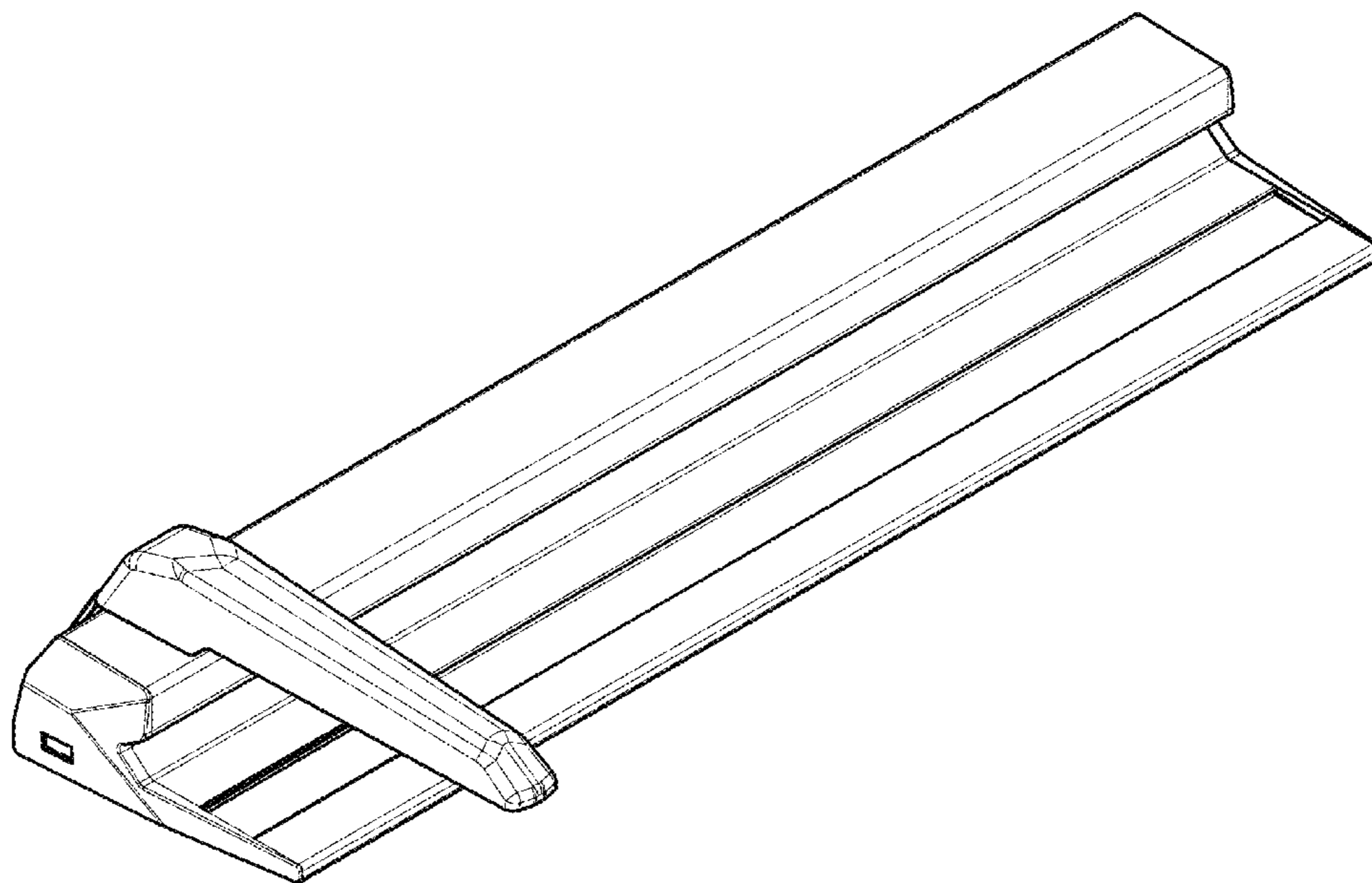
(57) **CLAIM**

The ornamental design for sterilization apparatus, as shown and described.

**DESCRIPTION**

FIG. 1 is a perspective view of the sterilization apparatus;  
FIG. 2 is a rear view of the sterilization apparatus;  
FIG. 3 is front view of the sterilization apparatus;  
FIG. 4 is a left side elevational view of the sterilization apparatus;  
FIG. 5 is a right side elevational view of the sterilization apparatus;  
FIG. 6 is a bottom plan view of the sterilization apparatus;  
and,  
FIG. 7 is a top plan view of the sterilization apparatus.

**1 Claim, 7 Drawing Sheets**



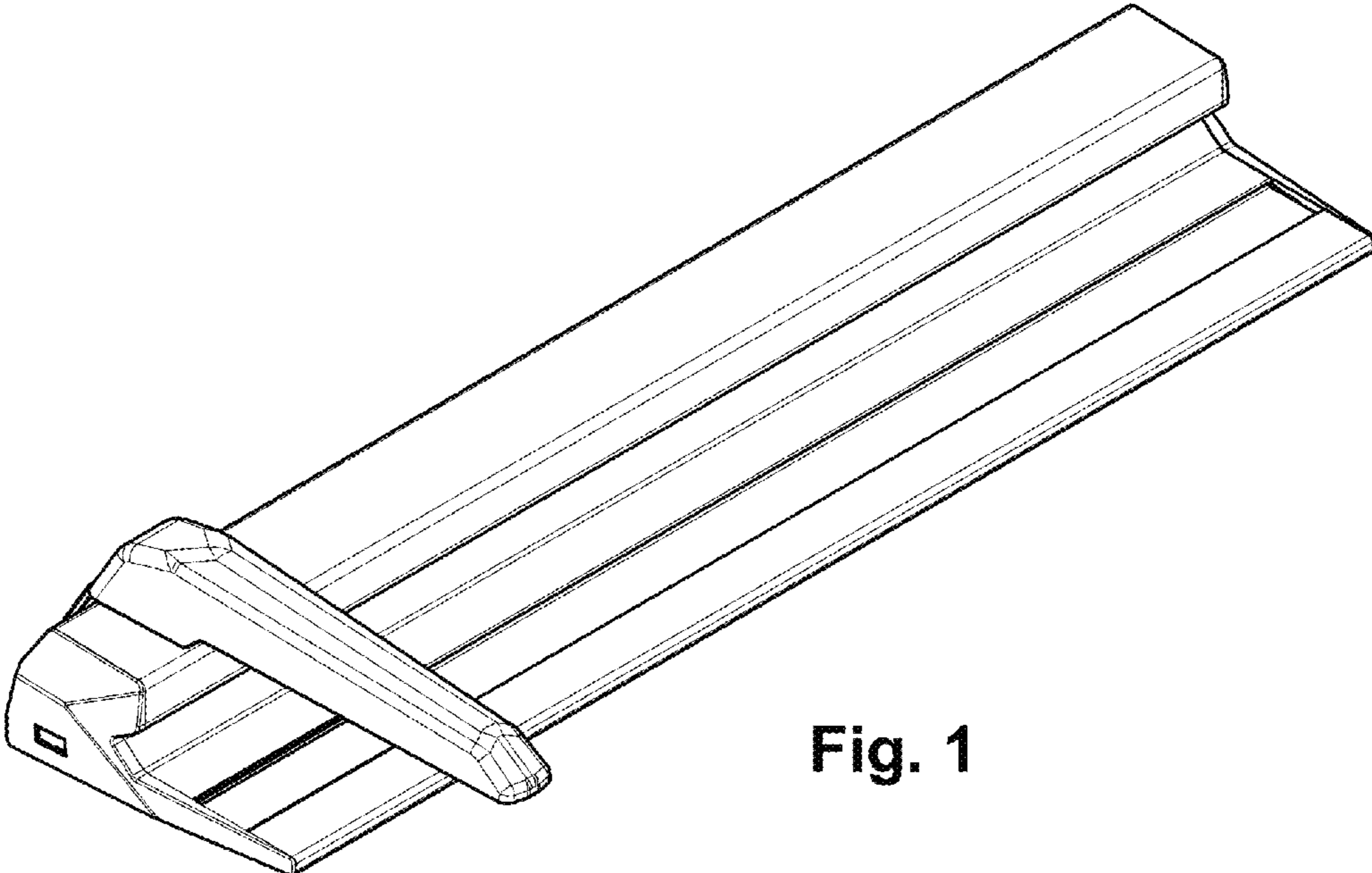


Fig. 1

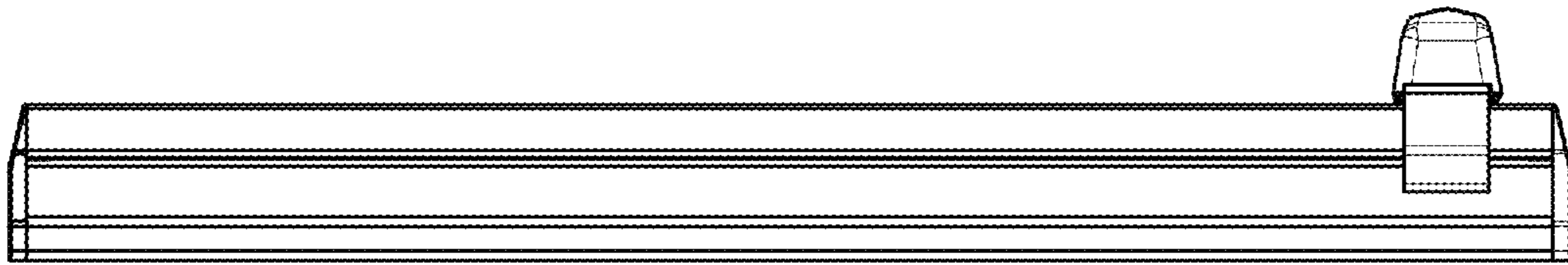


Fig. 2



Fig. 3

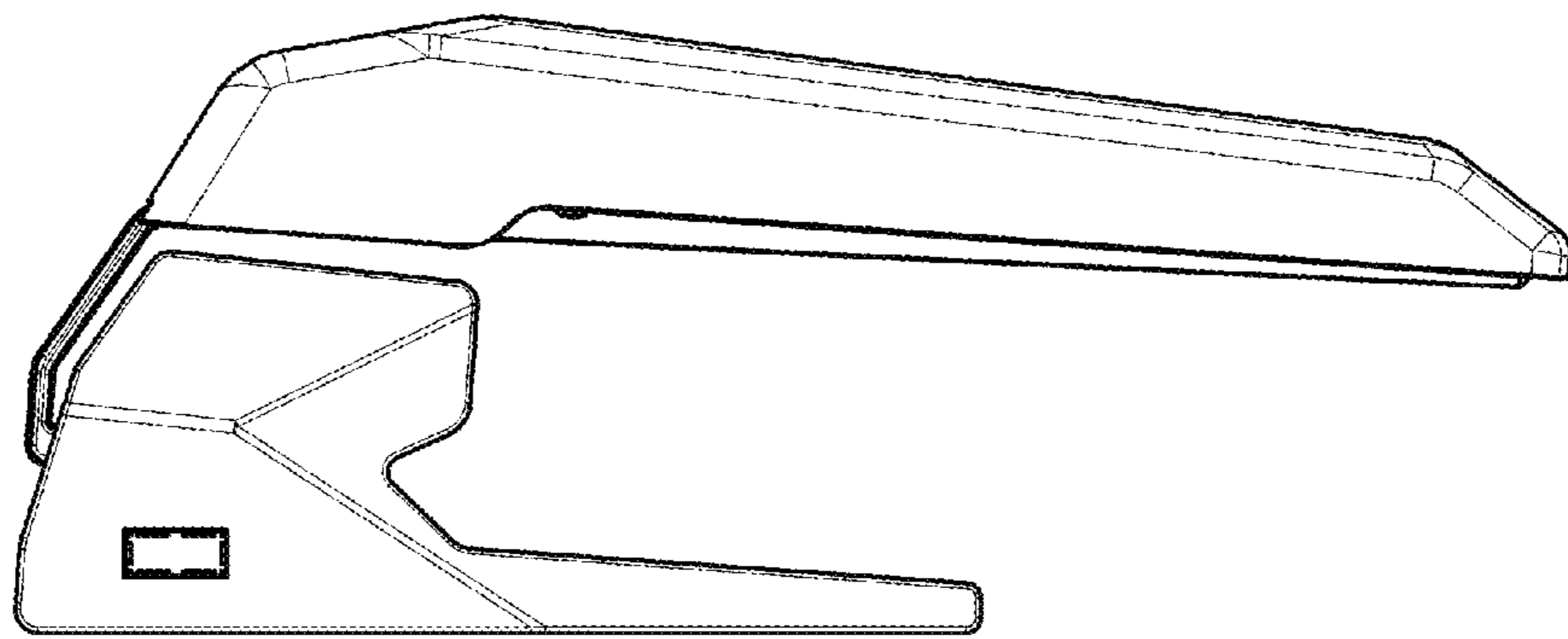


Fig. 4

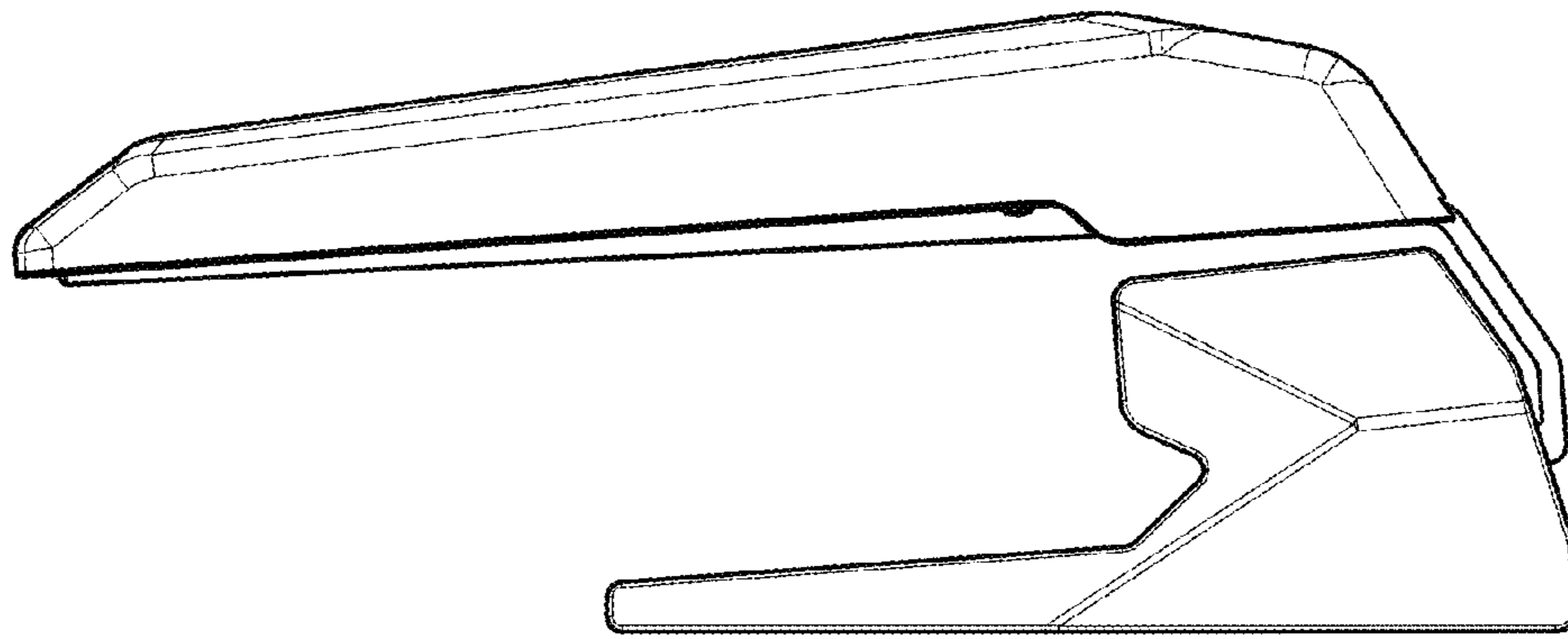


Fig. 5

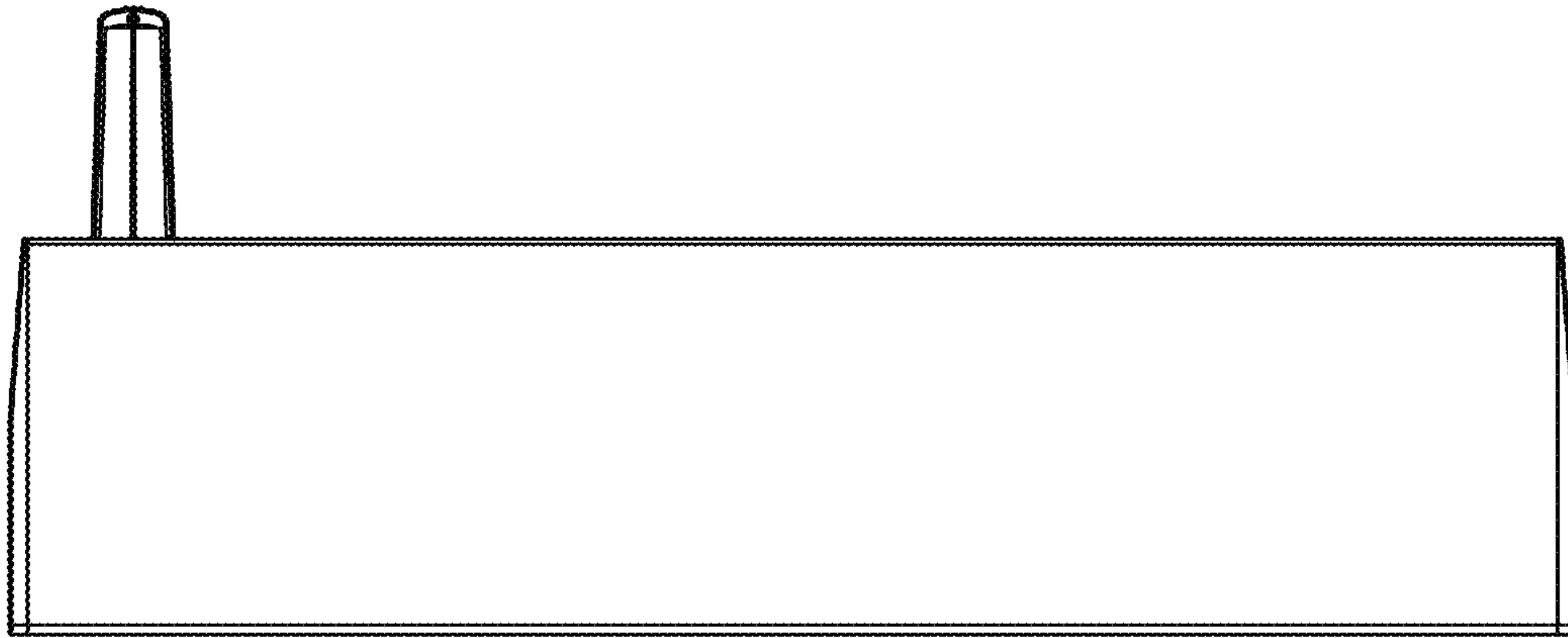


Fig. 6

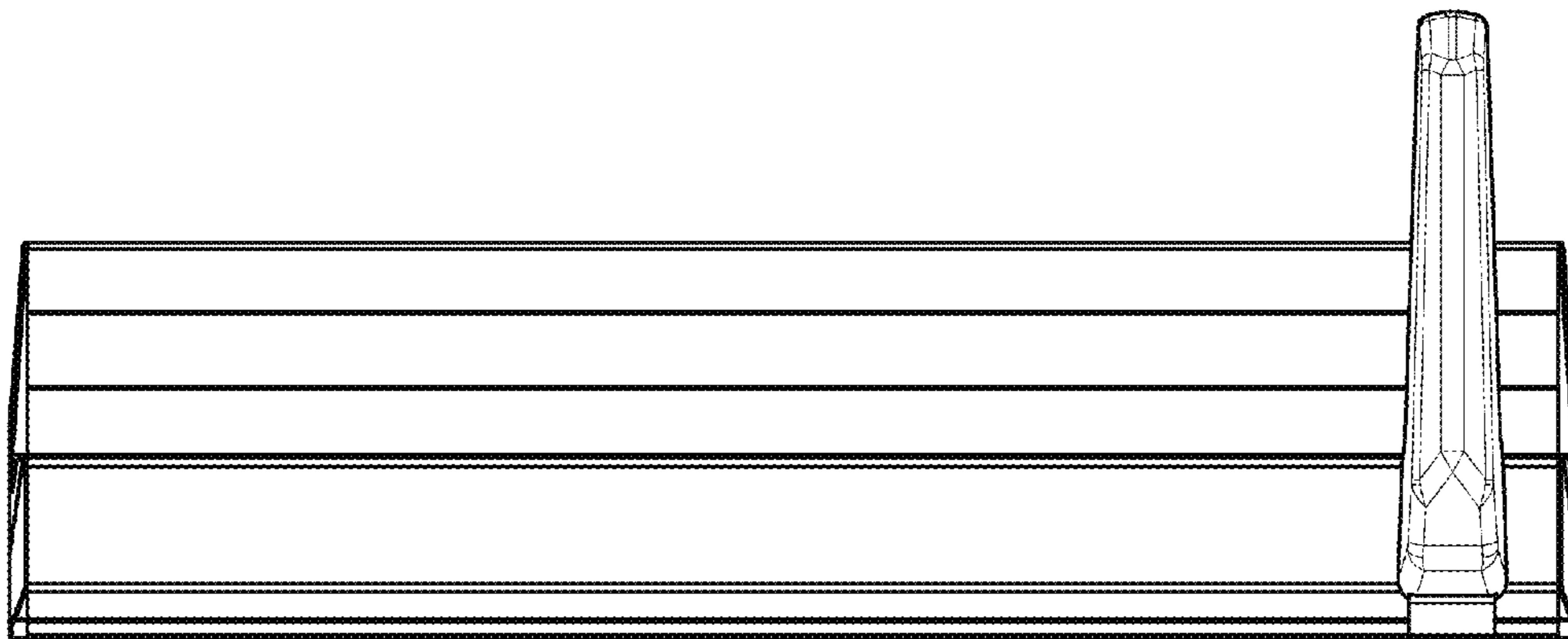


Fig. 7