



US00D759259S

(12) **United States Design Patent**  
**Phillips**

(10) **Patent No.:** **US D759,259 S**  
(45) **Date of Patent:** **\*\* Jun. 14, 2016**

(54) **MESSAGE ROLLER**

(71) Applicant: **IMPLUS FOOTCARE, LLC**, Durham, NC (US)

(72) Inventor: **Peter L. Cassidy Phillips**, Austin, TX (US)

(73) Assignee: **IMPLUS FOOTCARE, LLC.**, Durham, NC (US)

(\*\*) Term: **15 Years**

(21) Appl. No.: **29/552,311**

(22) Filed: **Jan. 21, 2016**

**Related U.S. Application Data**

(60) Division of application No. 29/523,680, filed on Apr. 13, 2015, now Pat. No. Des. 749,233, which is a continuation of application No. 12/657,111, filed on Jan. 13, 2010, now Pat. No. 9,005,146.

(51) **LOC (10) CI.** ..... **28-03**

(52) **U.S. CI.**  
USPC ..... **D24/211**

(58) **Field of Classification Search**  
USPC ..... D24/200, 211, 212, 213, 214, 215;  
601/19, 27-32, 46, 49, 52, DIG. 12,  
601/DIG. 14, DIG. 15, DIG. 16, DIG. 17;  
D21/685

CPC ..... A61H 19/30; A61H 19/32; A61H 19/34;  
A61H 19/40; A61H 19/44; A61H 19/50;  
A61H 19/00; A61H 2201/0153; A61H  
2201/0207; A61H 2201/0263; A61H  
2201/0111; A61H 2201/1253; A61H  
2205/082; A61H 2205/085; A61H 15/0085  
See application file for complete search history.

(56) **References Cited**

U.S. PATENT DOCUMENTS

444,597 A	1/1891	Lichtenstadt et al.
718,594 A	1/1903	Bailey
732,864 A	7/1903	Jones
793,477 A	6/1905	Duzer
1,111,427 A	9/1914	Archibald
1,688,764 A	10/1928	Trankowski et al.
1,728,368 A	9/1929	Saxer

(Continued)

FOREIGN PATENT DOCUMENTS

DE	4433020 C2	9/1994
DE	201 12 822 U1	1/2002

(Continued)

OTHER PUBLICATIONS

The Grid foam roller, "Roll With It: Self-Massage Never Felt So Good" article, 1 pg. Competitor.com, Jan. 2010.

(Continued)

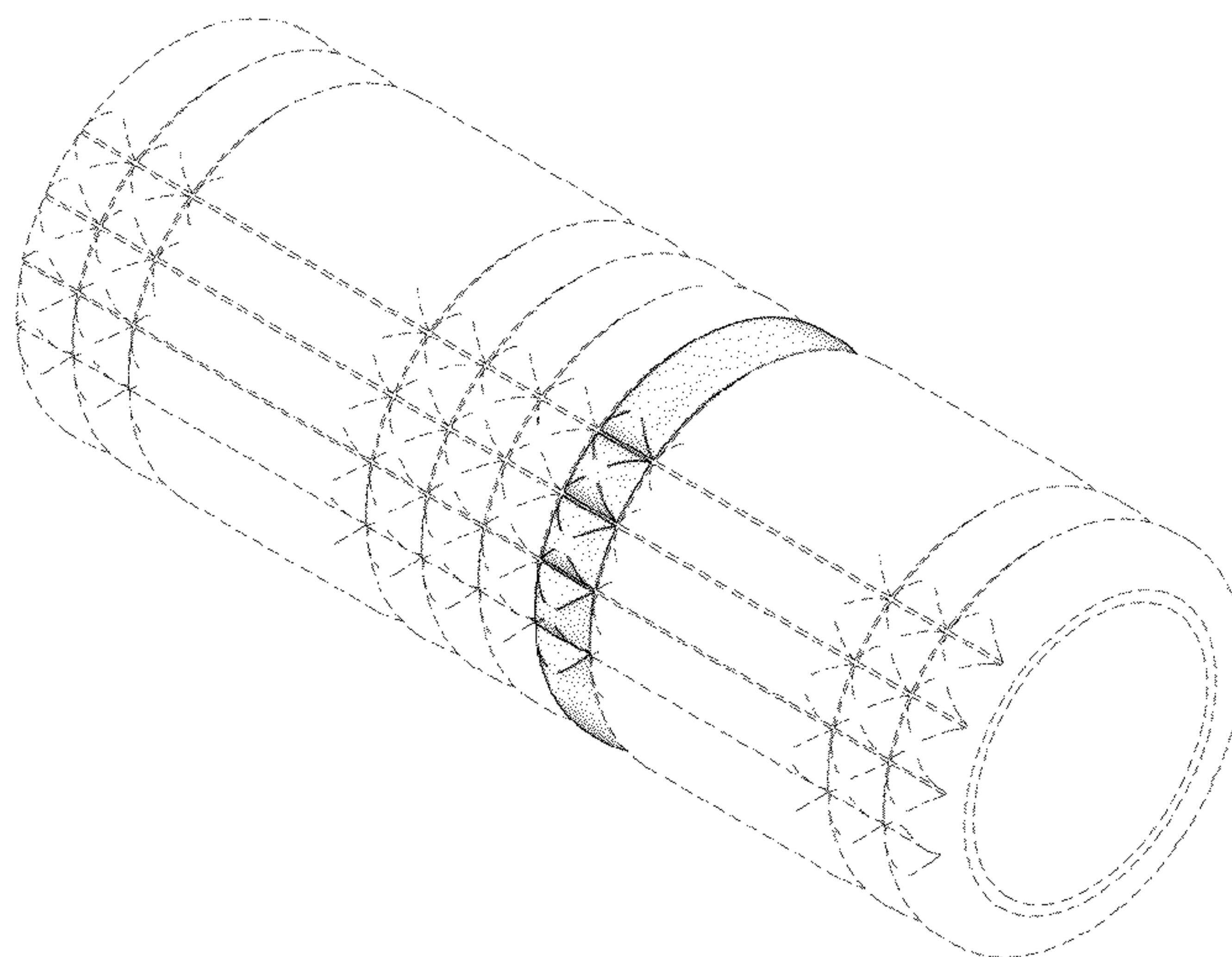
*Primary Examiner* — Sandra Snapp  
(74) *Attorney, Agent, or Firm* — Buchanan Ingersoll & Rooney PC

(57) **CLAIM**  
The ornamental design for a massage roller, as shown and described.

**DESCRIPTION**

FIG. 1 is a perspective view of a massage roller showing my new design.  
FIG. 2 is a front elevational view thereof.  
FIG. 3 is rear elevational view thereof.  
FIG. 4 is a top plan view thereof.  
FIG. 5 is a bottom plan view thereof.  
FIG. 6 is a right end elevational view thereof; and,  
FIG. 7 is a left end elevational view thereof.  
The use of broken lines in the drawings illustrate environmental structure that forms no part of the claimed design.

**1 Claim, 6 Drawing Sheets**



(56)

## References Cited

## U.S. PATENT DOCUMENTS

1,780,479	A	11/1930	Griffith	D357,952	S	5/1995	Chen	
1,969,042	A	8/1934	Senn	5,411,470	A	5/1995	Liptak et al.	
2,039,180	A	4/1936	Mendenhall	D361,132	S	8/1995	Lee	
2,079,311	A	5/1937	Blumenthal	5,488,755	A	2/1996	Chang	
2,266,859	A	12/1941	Grampp	5,494,049	A	2/1996	Rischbieth	
2,345,438	A	3/1944	Tompkins	5,514,055	A	5/1996	Elliott	
2,546,095	A	3/1951	Gustlin	5,531,666	A	7/1996	Hung	
2,728,926	A	1/1956	Emery	5,533,953	A	7/1996	Lui et al.	
2,770,082	A	11/1956	Whitesell	5,542,196	A	8/1996	Kantro	
2,773,498	A	12/1956	Himmelman	5,554,102	A	9/1996	Chiou	
2,785,739	A	3/1957	McGregor, Jr. et al.	5,572,804	A	11/1996	Skaja et al.	
D180,564	S	7/1957	Nakamura	5,575,760	A	11/1996	Masuda	
3,037,500	A	6/1962	Daugherty	5,588,953	A	12/1996	Chang	
3,067,738	A	12/1962	Karlik	5,607,749	A	3/1997	Strumor	
3,196,868	A	7/1965	Johnston	5,643,181	A	7/1997	Lin	
3,205,888	A	9/1965	Stroop	5,675,850	A	10/1997	Schmitt	
3,298,687	A	1/1967	Douglas	5,735,804	A	4/1998	Chan	
3,312,583	A	4/1967	Rochlis	5,766,210	A	6/1998	Komoroczy et al.	
3,389,699	A	6/1968	Mathers	5,824,013	A	10/1998	Allen	
3,415,514	A	12/1968	Weihs	5,830,161	A	11/1998	Cosmano	
3,419,268	A	12/1968	Bellet	5,845,350	A	12/1998	Beemiller et al.	
3,548,814	A	12/1970	Montgomery et al.	D414,875	S	10/1999	Sirois et al.	
3,604,026	A	9/1971	Scheips	5,960,497	A	10/1999	Castellino et al.	
3,645,256	A	2/1972	Morrison	D417,319	S	11/1999	Weiss, Jr.	
3,662,748	A	5/1972	Thurman	5,997,489	A	12/1999	Iwamoto et al.	
3,664,334	A	5/1972	O'Neil	6,065,210	A	5/2000	Bove	
3,684,618	A	8/1972	Geschwender	6,098,313	A	8/2000	Skaja	
3,719,185	A	3/1973	Hanes	6,105,279	A	8/2000	Bouchoms	
3,722,113	A	3/1973	Birkenstock	6,129,687	A	10/2000	Powell et al.	
3,802,704	A	4/1974	Genua	6,165,145	A	12/2000	Noble	
3,842,453	A	10/1974	Redfield	6,176,841	B1	1/2001	Tso	
3,885,257	A	5/1975	Rogers	6,269,500	B1	8/2001	Saringer	
4,020,519	A	5/1977	Robison	6,306,109	B1	10/2001	Polychronis	
4,037,591	A	7/1977	Sarno	6,312,400	B1	11/2001	Itikawa et al.	
4,052,982	A	10/1977	Ozeryansky	6,360,388	B2	3/2002	Langer	
4,067,324	A	1/1978	Greenawalt	6,378,152	B1	4/2002	Washburn et al.	
4,070,719	A	1/1978	Morgan	6,398,694	B1	6/2002	Bountourakis	
4,081,870	A	4/1978	Iannucci	6,419,650	B1	7/2002	Ryan et al.	
4,109,649	A	8/1978	Iyomasa	6,449,788	B1	9/2002	Nichols	
4,127,116	A	11/1978	Pannetier	D467,118	S	12/2002	McClure et al.	
4,142,519	A	3/1979	Ferguson	D471,636	S	3/2003	Yu	
4,167,940	A	9/1979	Ruf	6,681,427	B2	1/2004	Anderson et al.	
4,207,878	A	6/1980	Duncan	6,694,550	B2	2/2004	Lee	
D256,841	S	9/1980	Corbett et al.	6,715,221	B1	4/2004	Sasaki	
D257,883	S	1/1981	Holmberg	6,764,456	B1	7/2004	Doherty	
4,421,110	A	12/1983	DeLisle et al.	D495,422	S	8/2004	Chen	
4,433,683	A	2/1984	McCoy et al.	6,793,636	B1	9/2004	Pepera	
D274,649	S	7/1984	Shiu	D509,980	S	9/2005	Martin et al.	
4,463,485	A	8/1984	Gueret	6,988,286	B2	1/2006	Schecter et al.	
D280,337	S	8/1985	Hood	6,990,699	B2	1/2006	Hedges	
D285,117	S	8/1986	Snyder	7,013,588	B2	3/2006	Chang	
4,741,058	A	5/1988	Williams et al.	7,037,278	B2	5/2006	Dabir	
4,744,350	A	5/1988	Sato	D527,830	S	9/2006	Chien	
4,755,408	A	7/1988	Noel	7,108,646	B1	9/2006	Quick	
4,782,823	A	11/1988	Yamasaki	D529,326	S	10/2006	Martin et al.	
4,845,863	A	7/1989	Yung-Mao	7,124,520	B2	10/2006	Galbraith et al.	
4,896,441	A	1/1990	Galasso	7,137,926	B2	11/2006	Barrows	
4,901,387	A	2/1990	Luke	7,156,817	B1	1/2007	Cassidy Phillips	
4,936,294	A	6/1990	Chu	7,203,983	B1	4/2007	Reeves et al.	
4,945,900	A	8/1990	Masuda	7,223,251	B1 *	5/2007	Cassidy Phillips	A61H 15/0092 601/118
D310,610	S	9/1990	Dixon	7,250,033	B2	7/2007	Beiruti	
D317,236	S	6/1991	Dixon	7,254,852	B2	8/2007	Martin	
5,111,542	A	5/1992	Farley	D567,955	S	4/2008	Fink	
5,123,406	A	6/1992	Masuda	D568,487	S	5/2008	Hsu	
5,131,383	A	7/1992	Juarez	7,387,599	B1	6/2008	Hsu	
5,135,455	A	8/1992	King et al.	D572,417	S	7/2008	McKay	
D329,566	S	9/1992	Davidson, Jr.	D573,262	S	7/2008	Soucy	
5,143,056	A	9/1992	Yih-Jong	D577,467	S	9/2008	McKay	
5,160,785	A	11/1992	Davidson, Jr.	7,500,282	B1	3/2009	Park	
5,228,158	A	7/1993	Park	D592,313	S	5/2009	Levine	
D343,661	S	1/1994	Hur	D598,562	S	8/2009	Chen	
D346,450	S	4/1994	Bruno	D605,778	S	12/2009	Moon	
5,345,990	A	9/1994	Potts	D613,349	S	4/2010	Metti	
D355,322	S	2/1995	Ackley et al.	D617,131	S	6/2010	Sprouse, II	
5,389,063	A	2/1995	Wu	7,810,455	B2	10/2010	Axelrod et al.	
				7,819,828	B2	10/2010	Anderson	
				D626,706	S	11/2010	Ragonetti	
				7,914,471	B2	3/2011	Chen	



(56)

References Cited

U.S. PATENT DOCUMENTS

7,918,774 B2 4/2011 Dye  
D637,244 S 5/2011 Davis et al.  
D643,540 S 8/2011 Jian et al.  
D647,980 S 11/2011 Davis et al.  
D655,056 S 2/2012 Blair  
D657,065 S 4/2012 Matsushita  
D660,450 S 5/2012 Johnson  
D670,817 S 11/2012 Narevsky  
D674,107 S 1/2013 Prudent et al.  
D682,436 S 5/2013 Lowsky  
D692,569 S 10/2013 Samurin  
D693,934 S 11/2013 Lin  
D694,896 S 12/2013 Tai  
D700,709 S 3/2014 Khodabakhshian  
D711,547 S \* 8/2014 Hardy ..... D24/213  
D713,050 S \* 9/2014 Kao ..... D24/211  
D724,750 S \* 3/2015 Taylor ..... D24/211  
9,005,146 B2 \* 4/2015 Phillips ..... A61H 15/0092  
482/132  
D732,680 S \* 6/2015 Taylor ..... D24/211  
D736,398 S \* 8/2015 Kwon ..... D24/211  
D737,456 S \* 8/2015 McDonough ..... D24/211  
D744,112 S \* 11/2015 Phillips ..... D24/211  
2002/0119270 A1 8/2002 Daniel, Jr.  
2002/0193714 A1 12/2002 Pecora  
2003/0032996 A1 2/2003 Hallman  
2003/0040688 A1 2/2003 Bauer  
2003/0212352 A1 11/2003 Kahn  
2004/0204664 A1 10/2004 Chu  
2004/0254508 A1 12/2004 Lee  
2005/0049532 A1 3/2005 Lee  
2005/0085749 A1 4/2005 Baerwalde et al.  
2005/0102756 A1 5/2005 Martin  
2005/0148910 A1 7/2005 Skover et al.  
2005/0245851 A1 11/2005 Ferber et al.  
2006/0142677 A1 6/2006 Perez

2006/0149174 A1 7/2006 Fink  
2006/0211962 A1 9/2006 Ferber et al.  
2006/0241537 A1 10/2006 Liu  
2007/0129654 A1 6/2007 Anderson, Jr.  
2008/0090707 A1 4/2008 Dye  
2008/0103421 A1 5/2008 Nicholson  
2008/0255484 A1 10/2008 Gueret  
2008/0262398 A1 10/2008 Ferber et al.  
2009/0112137 A1 4/2009 Lamore  
2009/0131234 A1 5/2009 Dye  
2009/0176635 A1 7/2009 Brinson  
2009/0222994 A1 9/2009 Wood  
2009/0312691 A1 12/2009 Kim et al.  
2010/0145240 A1 6/2010 Cromie  
2013/0231594 A1 9/2013 Bennett  
2013/0261517 A1 10/2013 Rodgers  
2014/0128786 A1 5/2014 Ross

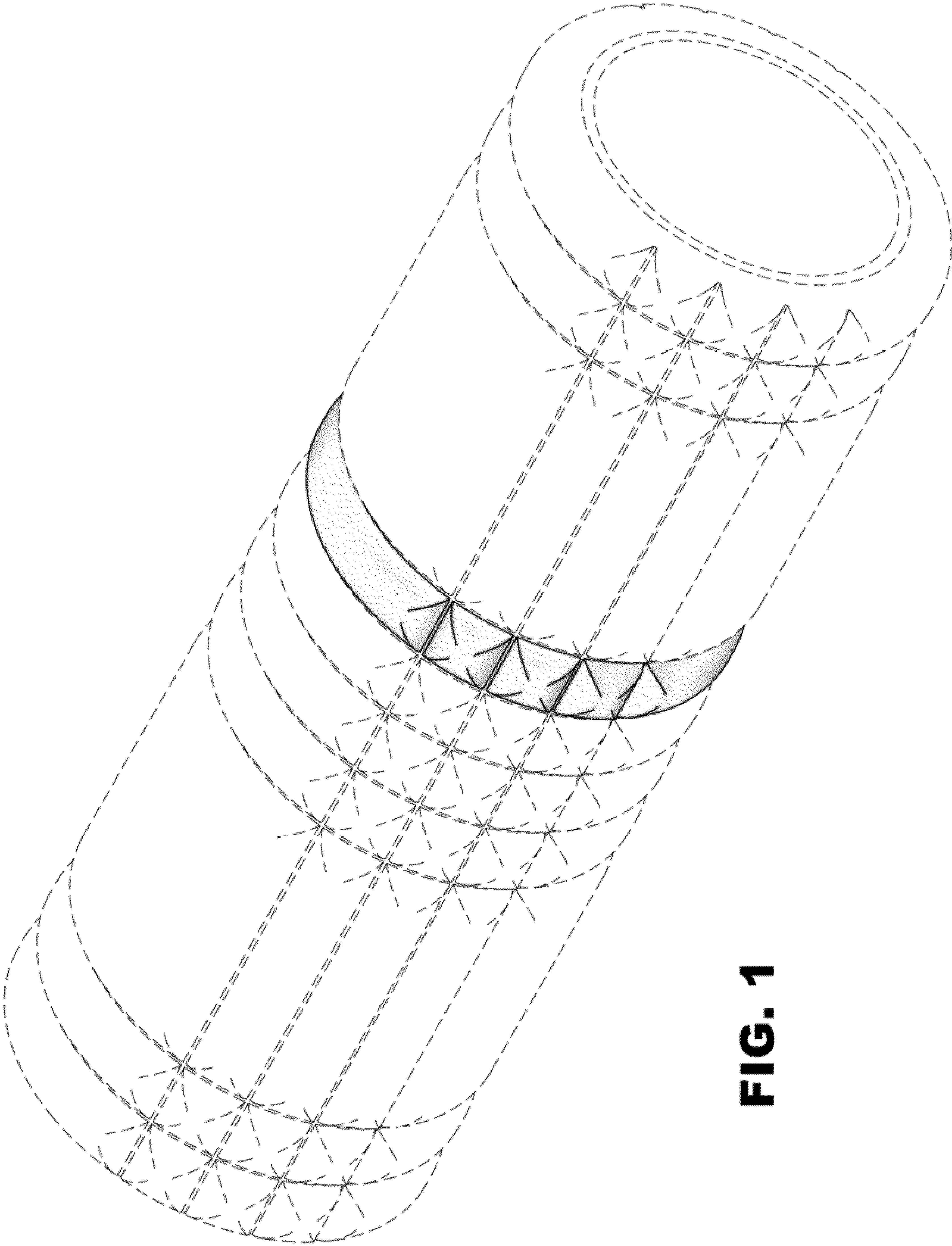
FOREIGN PATENT DOCUMENTS

DE 201 12 821 U1 6/2002  
DE 203 01 620 U1 4/2003  
FR 1 313 111 A 12/1962  
FR 1 322 637 A 3/1963  
GB 2 193 426 A 2/1988  
JP 2003310687 A 11/2003  
RU 2 423 963 C2 7/2011

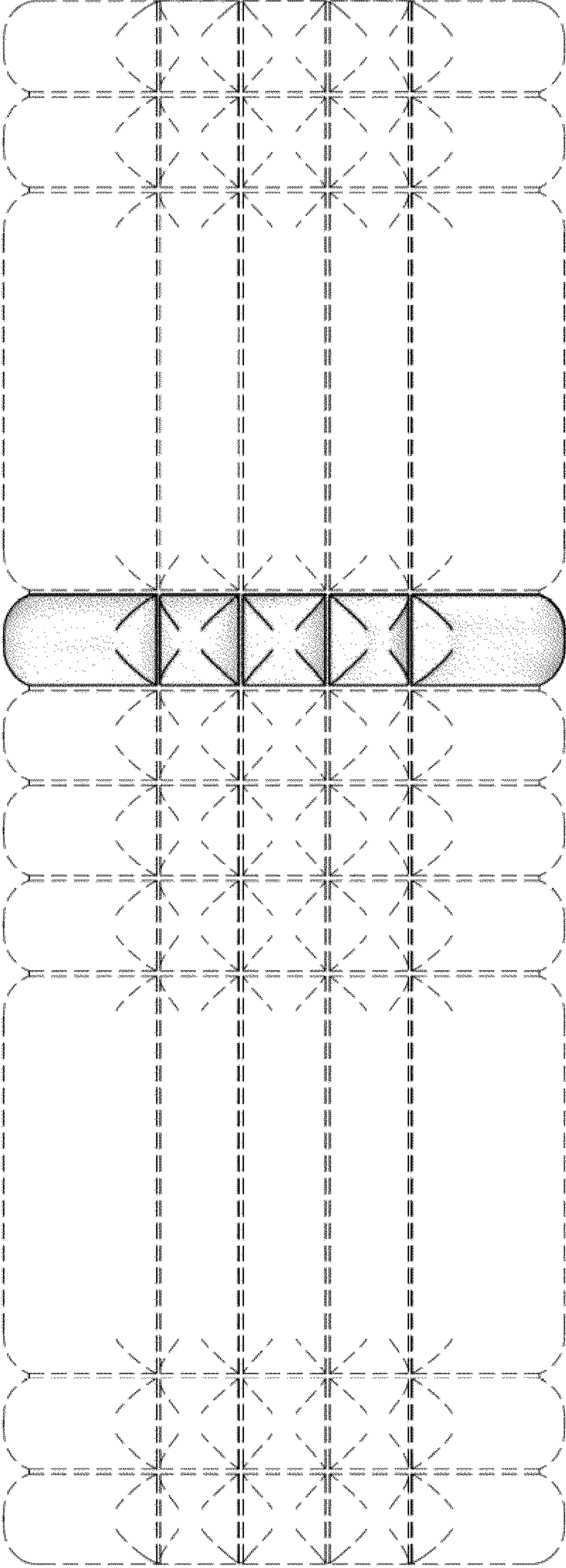
OTHER PUBLICATIONS

Vasa Ergometer, "Beat The Winter Blues" article, 1 pg. USA Triathlon, Winter, 2010.  
The Grid Foam Roller, Athlete's pick: Kara Lawson, WNBA player (Connecticut Sun) article, ESPN, Dec. 2011.  
Foam Roller Plus, "Perform Better 2005 Catalog" brochure, 2 pages. www.performbetter.com, 2005.  
Vanderburg, Helen. "Time to get Rolling" article, p. C3. Calgary Herald, Jan. 10, 2008.

\* cited by examiner

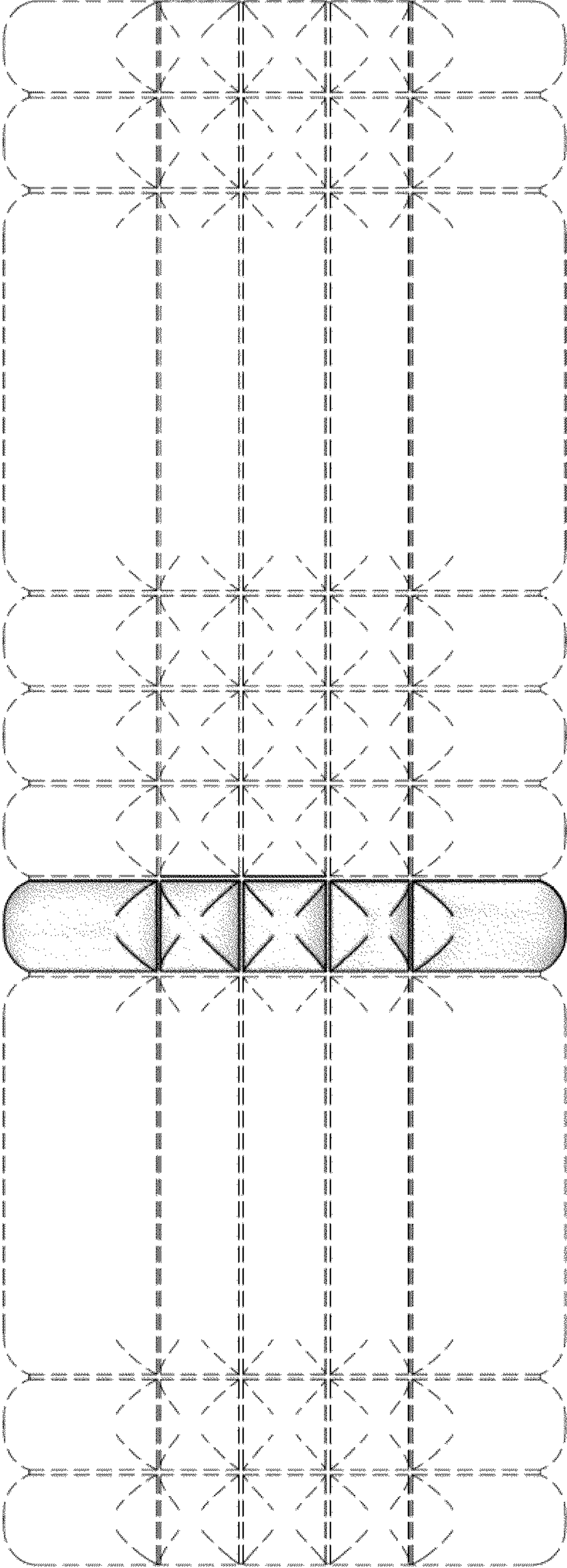


**FIG. 1**

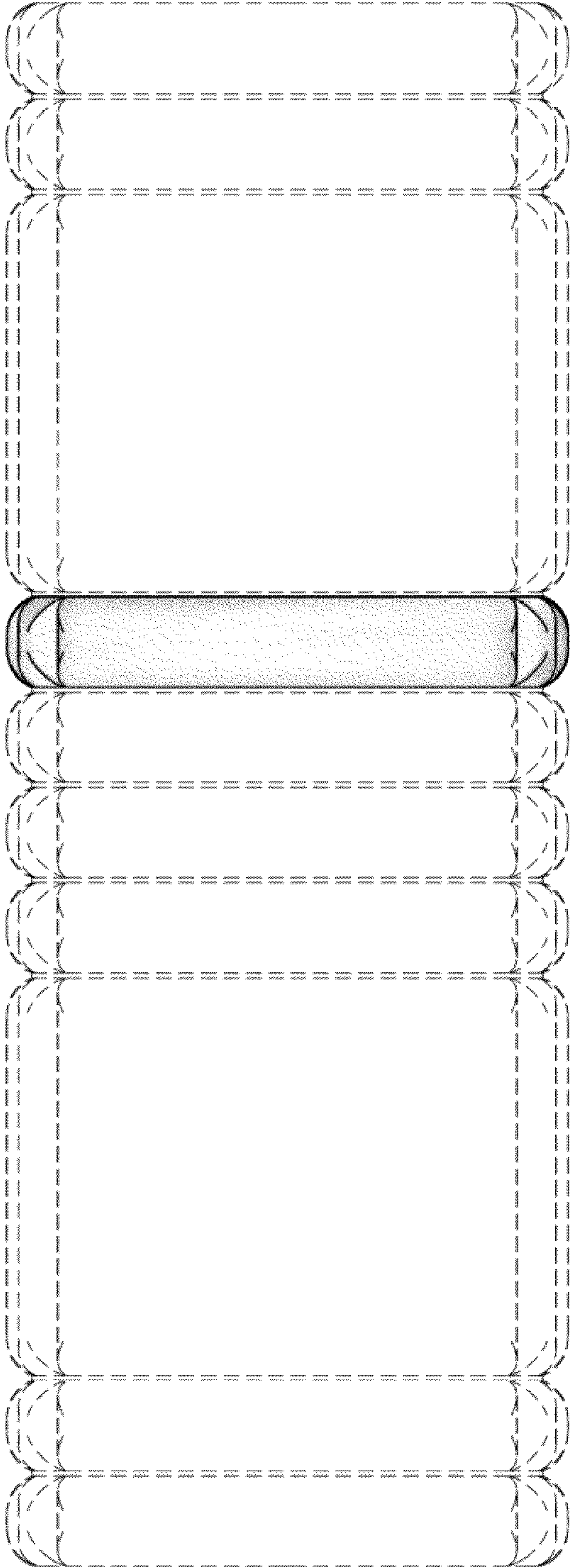


**FIG. 2**

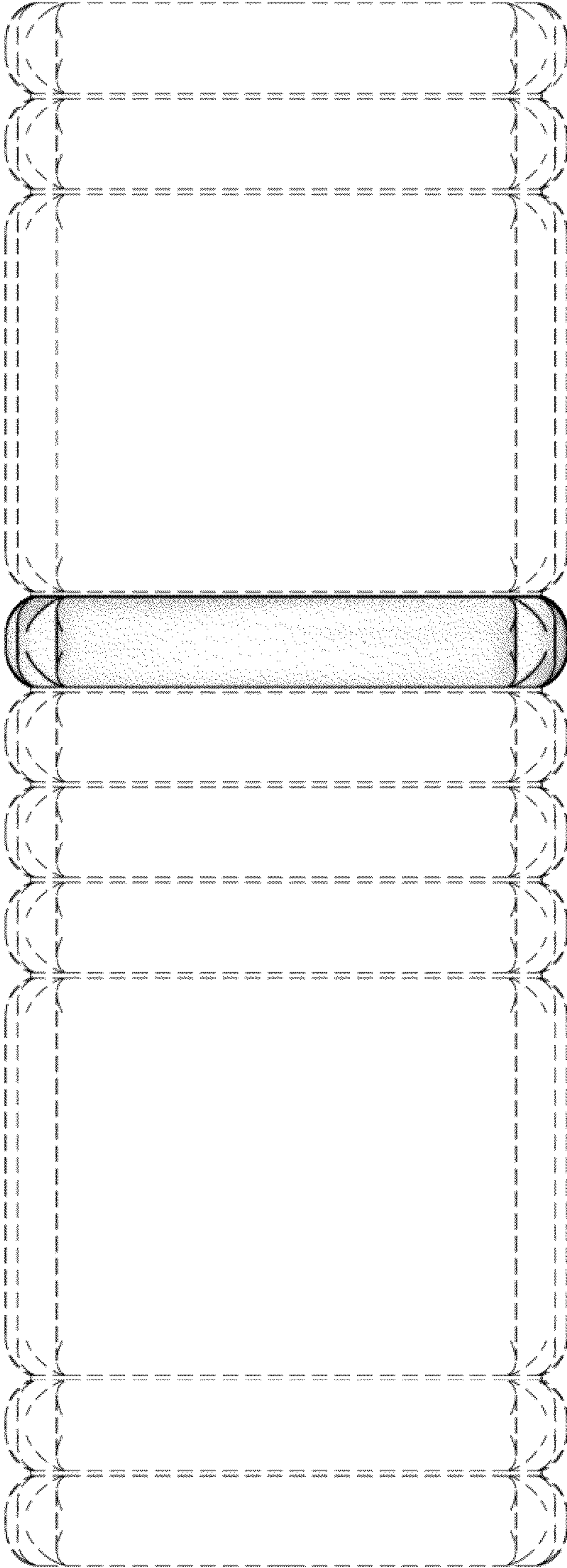




**FIG. 3**

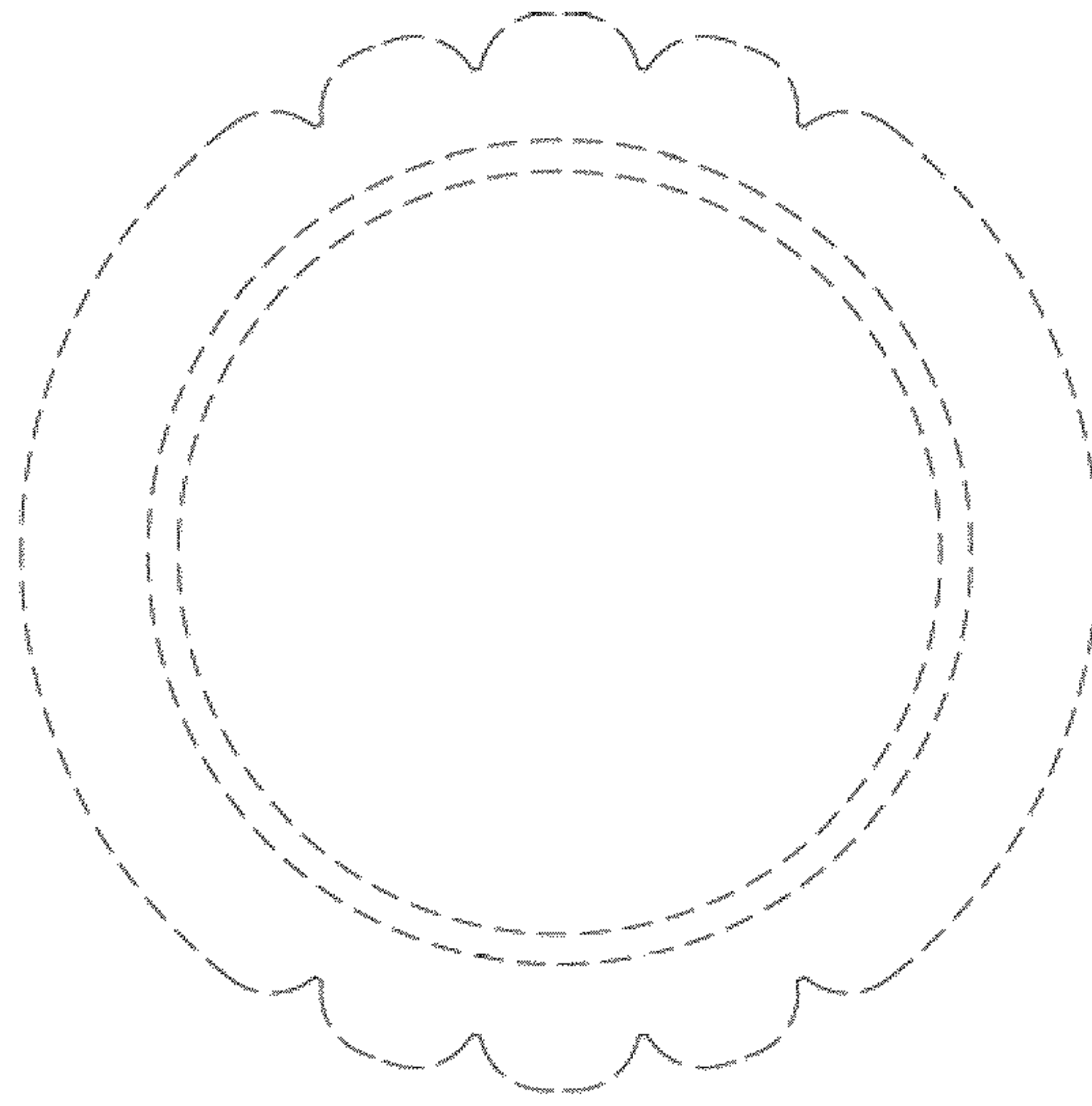


**FIG. 4**

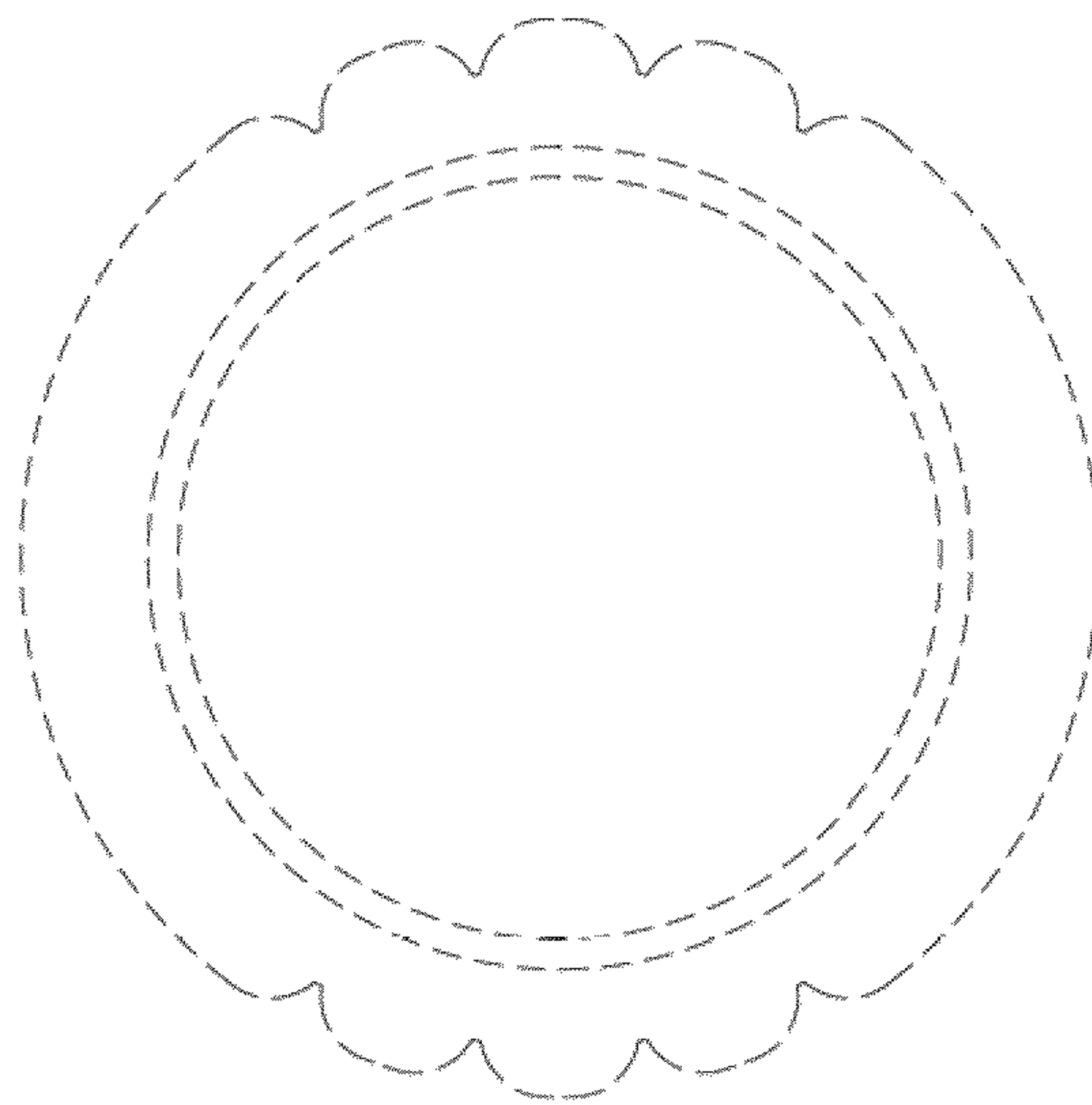


**FIG. 5**





**FIG. 7**



**FIG. 6**