



US00D759254S

(12) **United States Design Patent**  
**Knieriem et al.**

(10) **Patent No.:** **US D759,254 S**  
(45) **Date of Patent:** **\*\* Jun. 14, 2016**

(54) **DIAGNOSTIC DEVICE**

D725,784 S \* 3/2015 Xia ..... D24/186  
D735,343 S \* 7/2015 Dorsey ..... D24/186

(71) Applicant: **Welch Allyn, Inc.**, Skaneateles Falls, NY (US)

(Continued)

*Primary Examiner* — Anhdao Doan

(72) Inventors: **Alan S. Knieriem**, Baldwinsville, NY (US); **Donwoong Kang**, Camillus, NY (US); **Jonathan A. Fitch**, Syracuse, NY (US); **Scott W. Osiecki**, Skaneateles, NY (US); **Eric M. Andreassen**, Syracuse, NY (US); **Shawn C. St. Pierre**, Syracuse, NY (US)

(57) **CLAIM**

The ornamental design for a diagnostic device, as shown and described.

**DESCRIPTION**

(73) Assignee: **WELCH ALLYN, INC.**, Skaneateles Falls, NY (US)

(\*\*) Term: **14 Years**

(21) Appl. No.: **29/501,548**

(22) Filed: **Sep. 5, 2014**

(51) **LOC (10) Cl.** ..... **24-01**

(52) **U.S. Cl.**  
USPC ..... **D24/186**

(58) **Field of Classification Search**  
USPC ..... D24/165–168, 185, 186, 187, 107;  
D10/70, 75, 97, 98; 600/301, 382–384,  
600/386, 390, 483, 500–503, 508, 509,  
600/513; 128/DIG. 15; D14/341, 344  
CPC ..... A61B 5/0205; A61B 5/021  
See application file for complete search history.

FIG. 1 is a perspective view of a diagnostic device showing our new design;  
FIG. 2 is a front elevation view thereof;  
FIG. 3 is a rear elevation view thereof;  
FIG. 4 is a right side elevation view thereof;  
FIG. 5 is a left side elevation view thereof;  
FIG. 6 is a top plan view thereof;  
FIG. 7 is a bottom plan view thereof;  
FIG. 8 is a perspective view of a diagnostic device showing another embodiment of our new design;  
FIG. 9 is a front elevation view thereof;  
FIG. 10 is a rear elevation view thereof;  
FIG. 11 is a right side elevation view thereof;  
FIG. 12 is a left side elevation view thereof;  
FIG. 13 is a top plan view thereof;  
FIG. 14 is a bottom plan view thereof;  
FIG. 15 is a perspective view of the diagnostic device shown with an environment;  
FIG. 16 is a front elevation view thereof;  
FIG. 17 is a rear elevation view thereof;  
FIG. 18 is a right side elevation view thereof;  
FIG. 19 is a left side elevation view thereof;  
FIG. 20 is a top plan view thereof; and,  
FIG. 21 is a bottom plan view thereof.

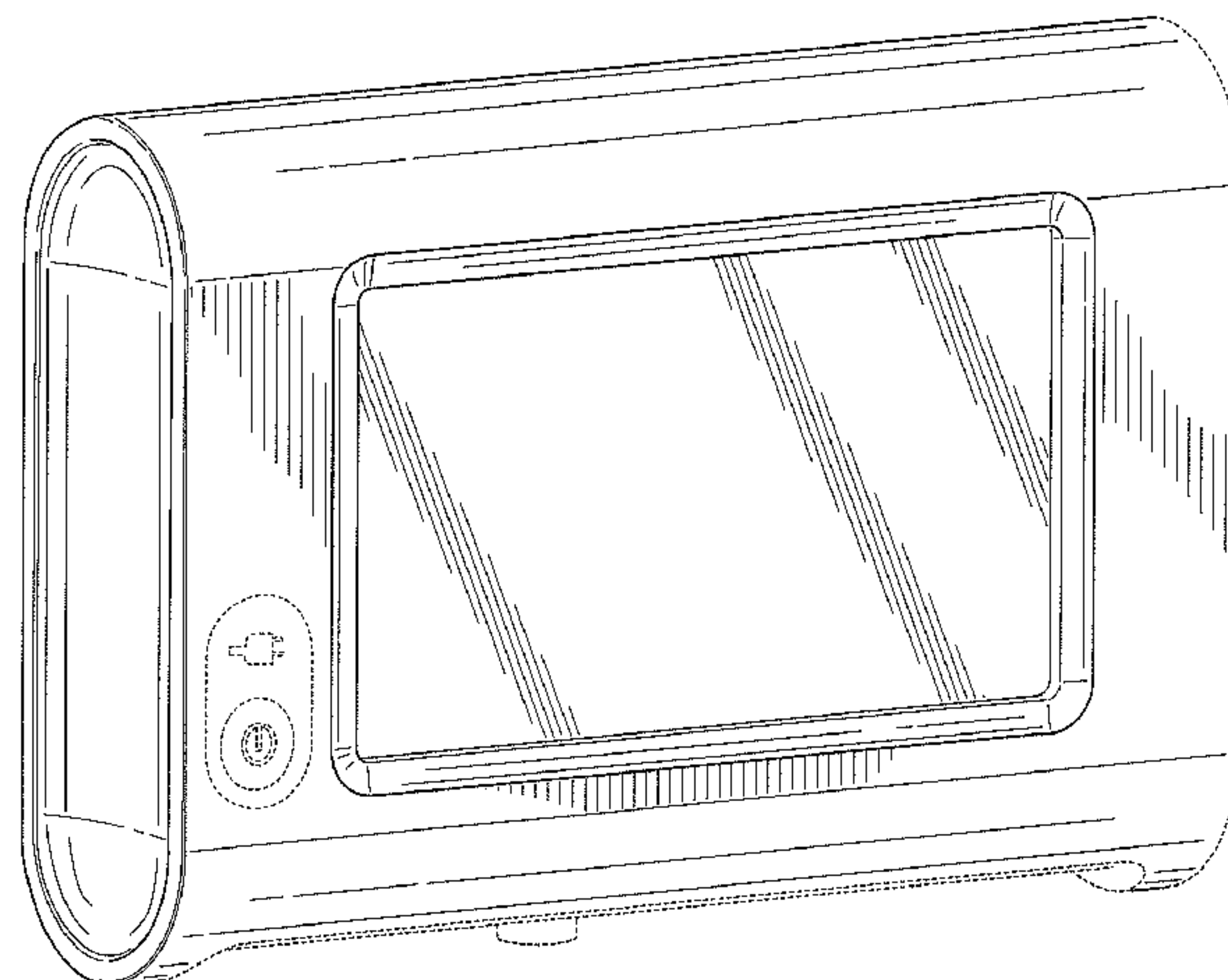
The broken lines immediately adjacent the shaded areas represent the bounds of the claim. The broken lines showing the side attachment in FIGS. 15-21 are directed to an environment and are for illustrative only. All other broken lines are directed to portions of the diagnostic device that form no part of the claimed design. None of the broken lines form a part of the claimed design.

(56) **References Cited**

**U.S. PATENT DOCUMENTS**

D460,559 S \* 7/2002 Knieriem ..... D24/186  
D512,151 S \* 11/2005 Ward ..... D24/111  
D535,031 S \* 1/2007 Barrett ..... D24/186  
D536,794 S \* 2/2007 Knieriem ..... D24/186  
D635,681 S \* 4/2011 Edwards ..... D24/186  
D641,885 S \* 7/2011 Wawro ..... D24/186  
D671,020 S \* 11/2012 Collins ..... D10/70

**1 Claim, 21 Drawing Sheets**



# US D759,254 S

Page 2

---

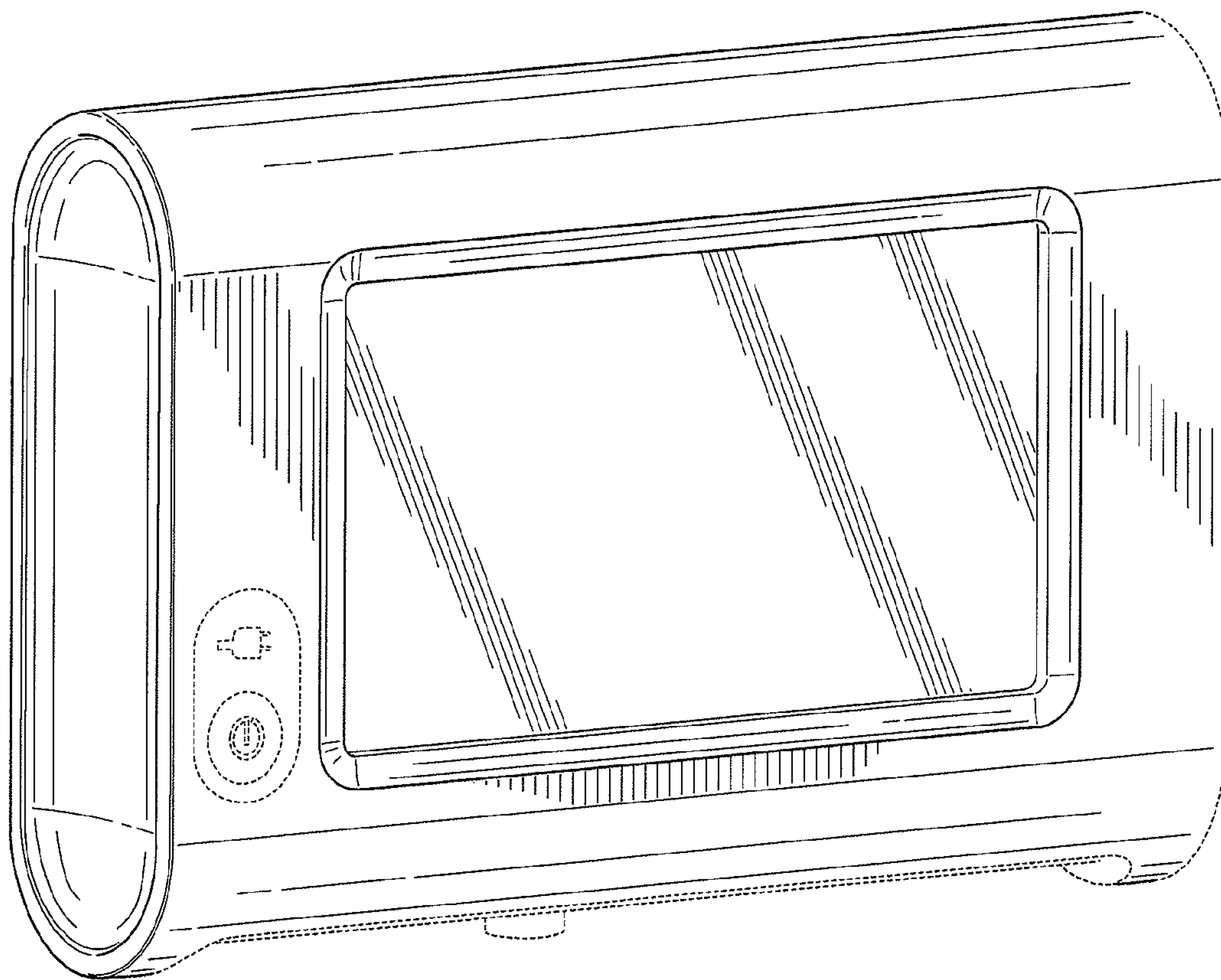
(56)

## References Cited

### U.S. PATENT DOCUMENTS

2008/0281168	A1*	11/2008	Gibson .....	A61B 5/0205 600/301
2010/0056886	A1*	3/2010	Hurtubise .....	A61B 5/0205 600/324
2011/0071420	A1*	3/2011	St. Pierre .....	A61B 5/0205 600/549
2014/0058213	A1*	2/2014	Abu-Tarif .....	A61B 5/0205 600/301

\* cited by examiner



**FIG. 1**

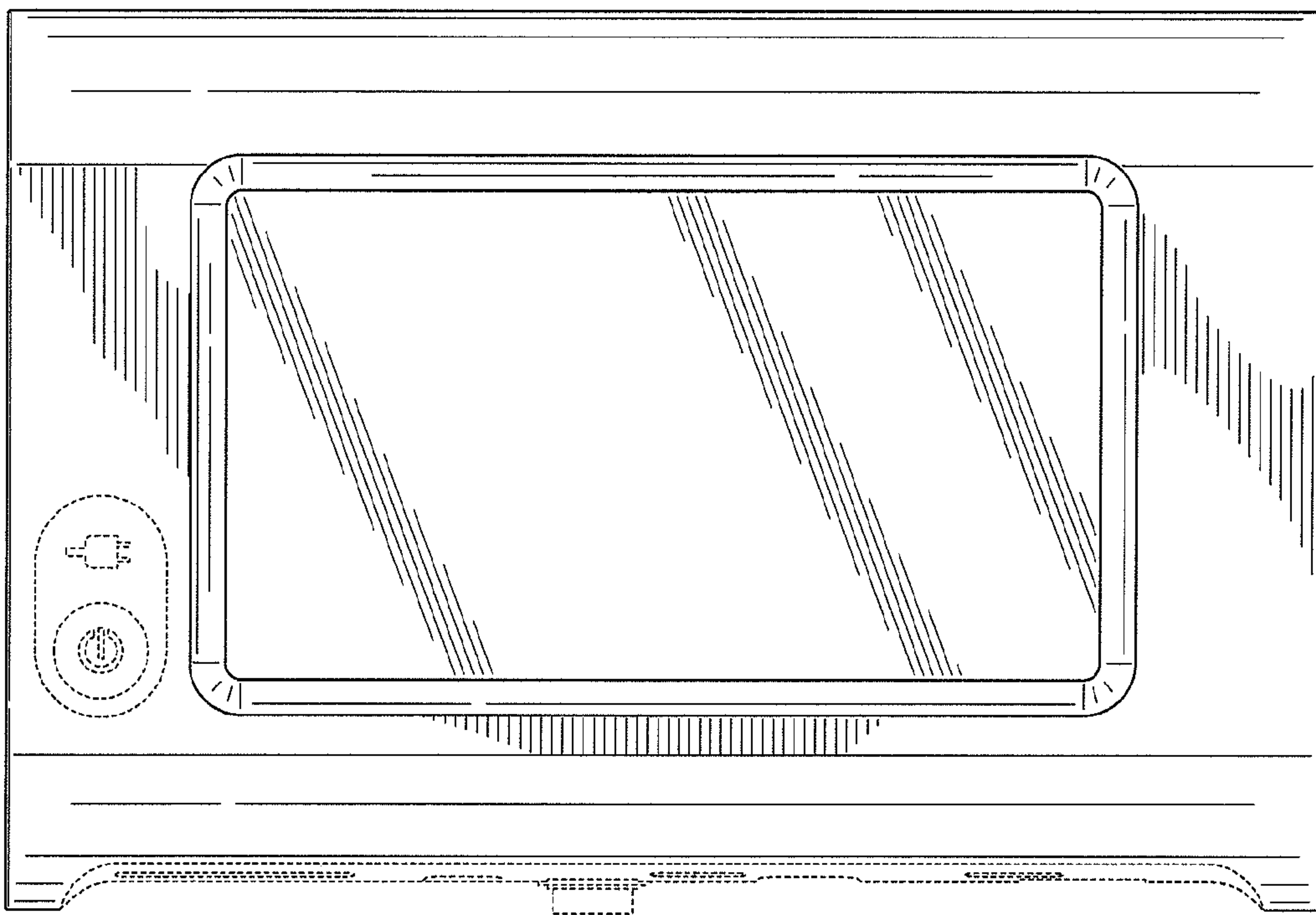
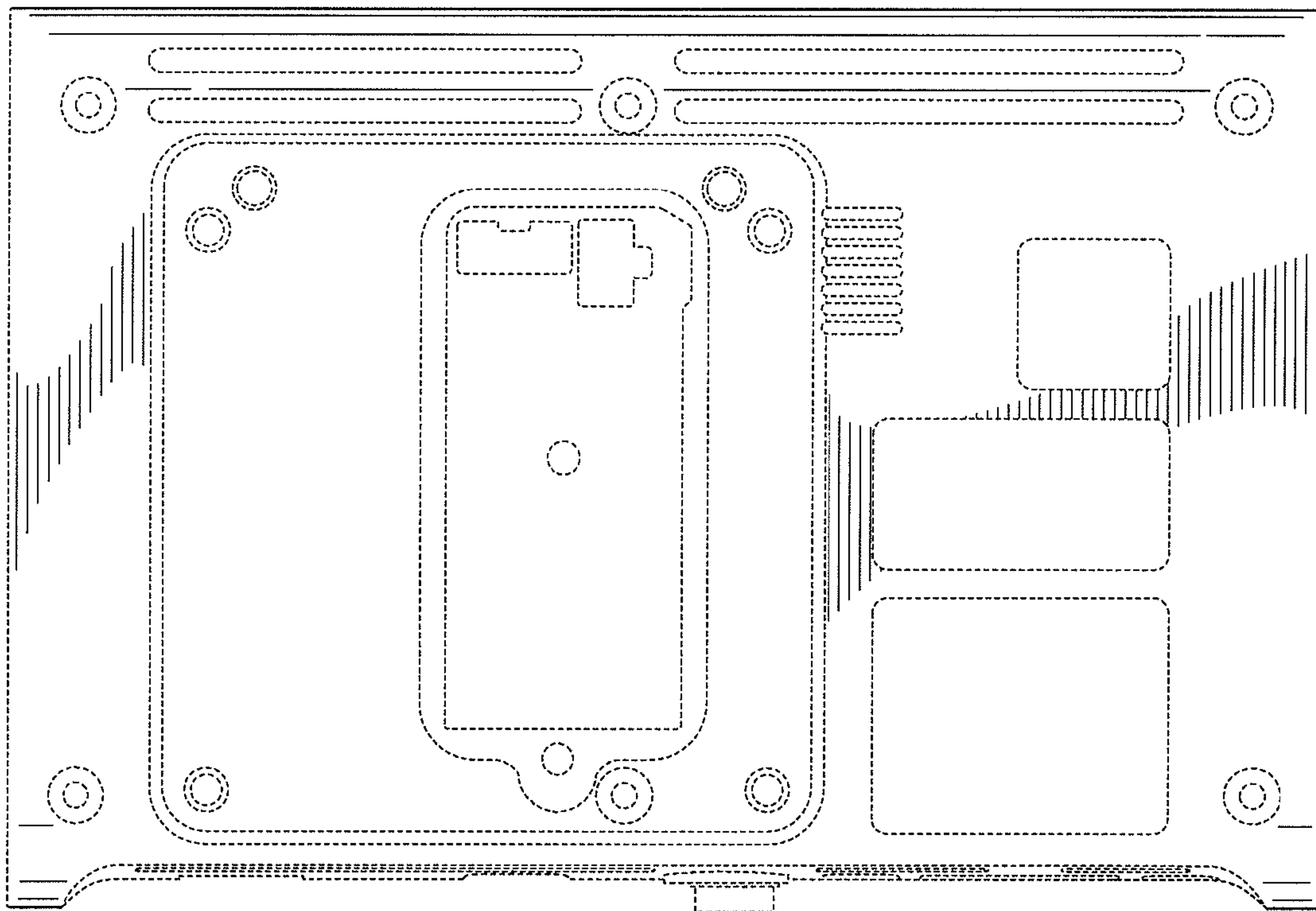
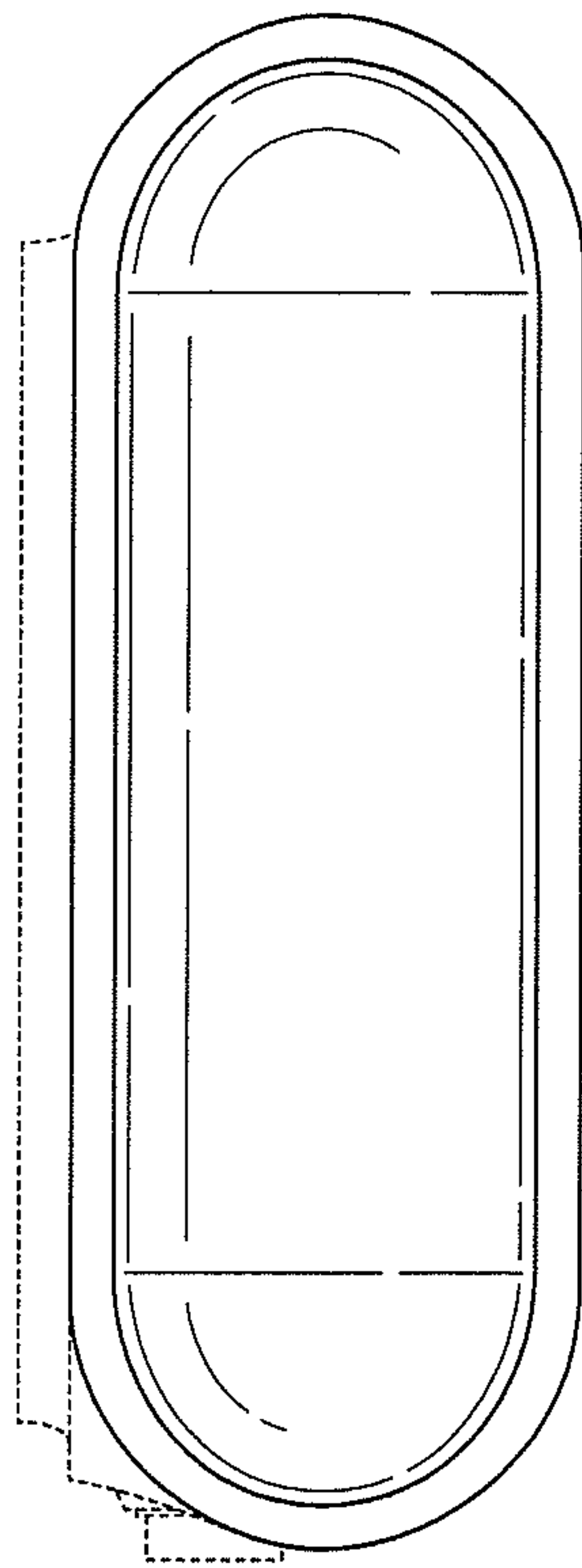


FIG. 2

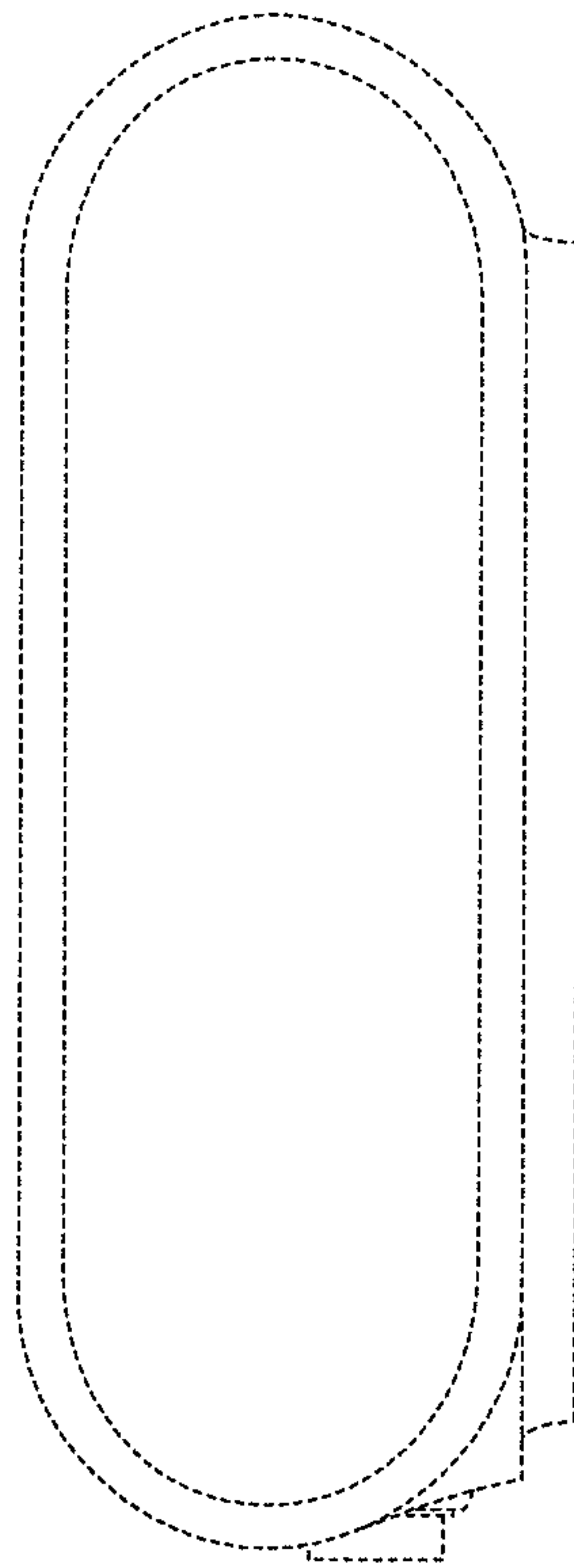


**FIG. 3**

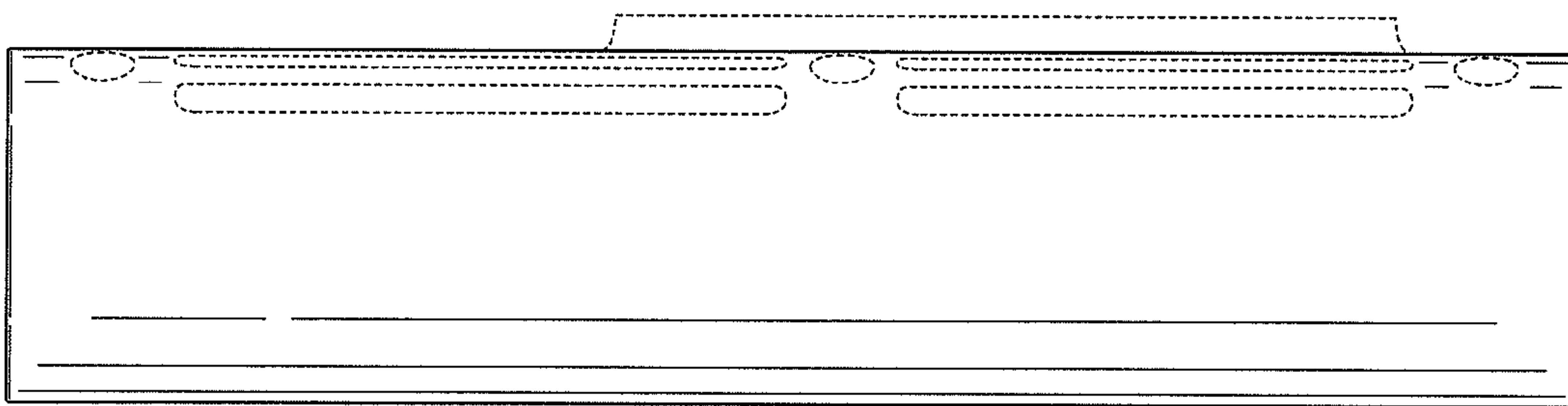


**FIG. 4**



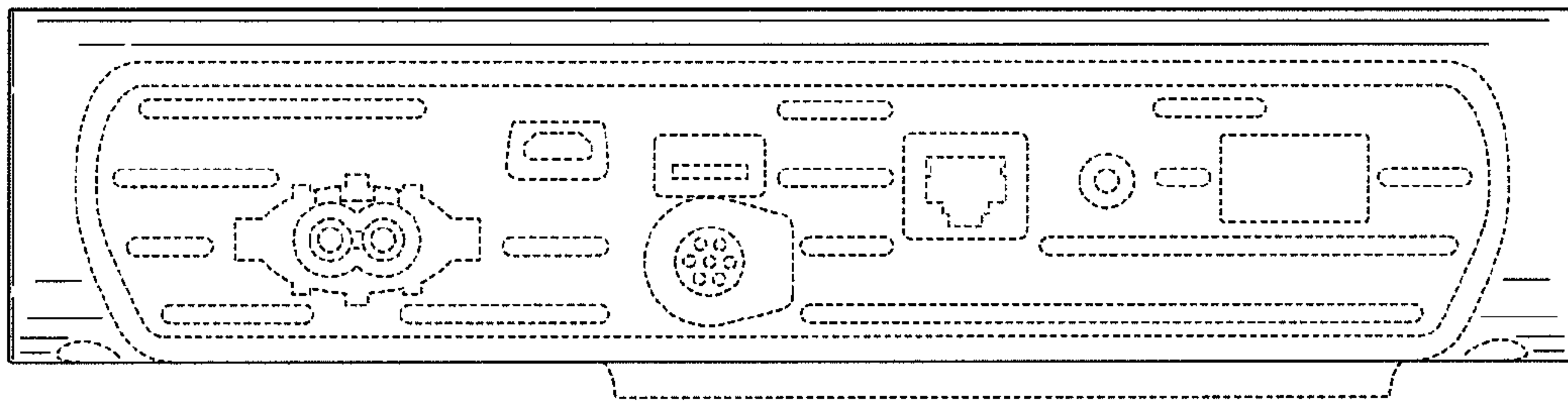


**FIG. 5**



**FIG. 6**





**FIG. 7**

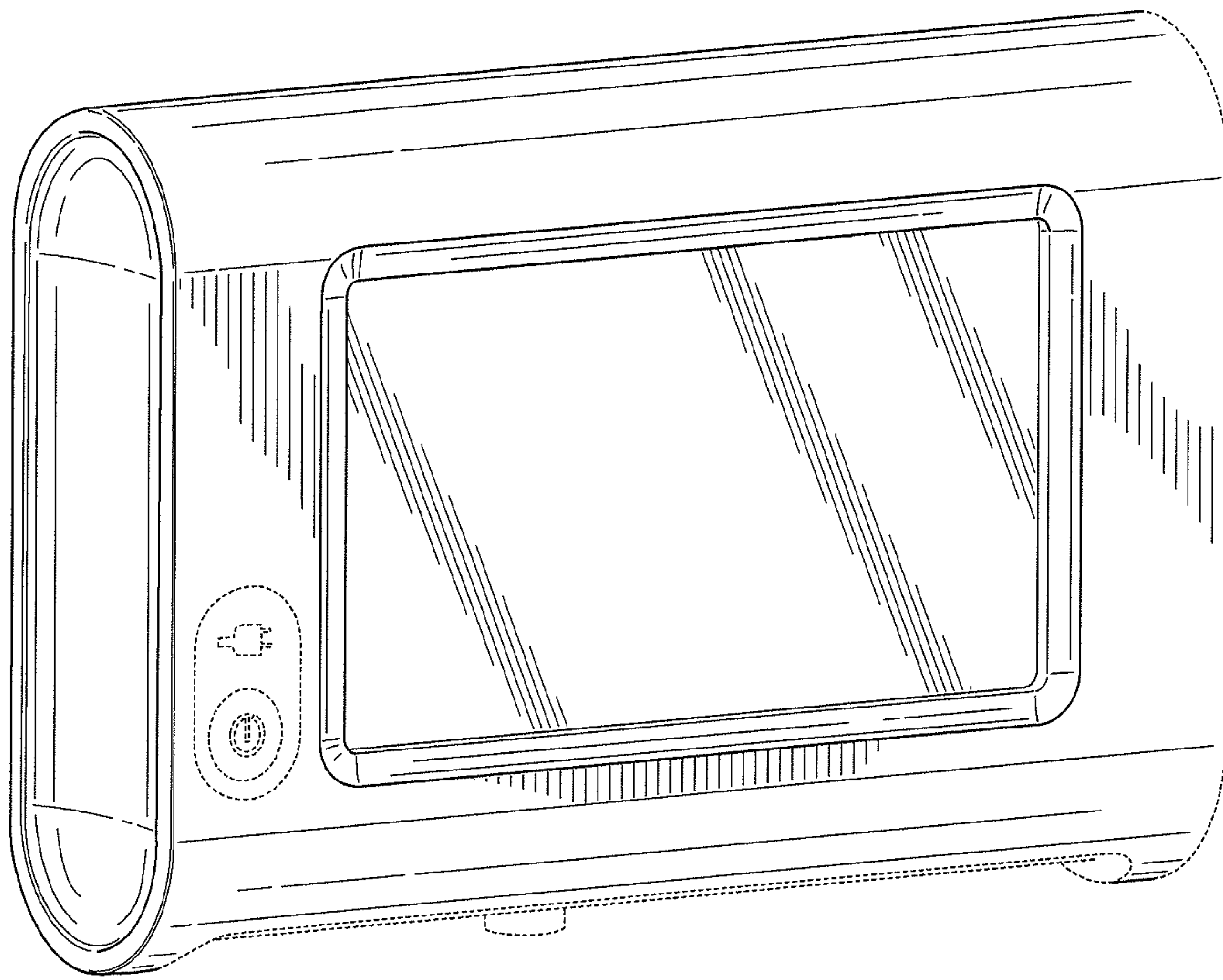


FIG. 8

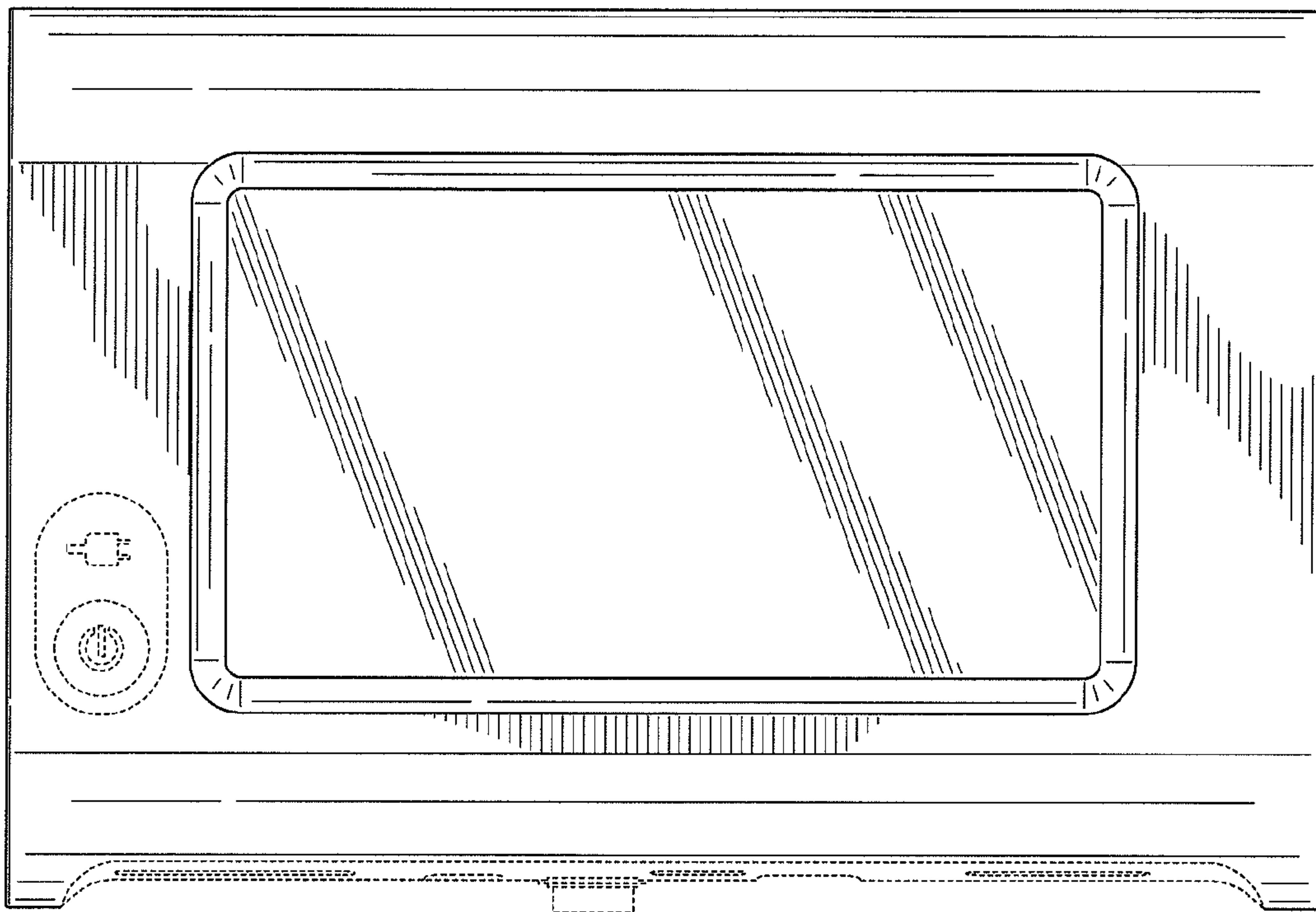
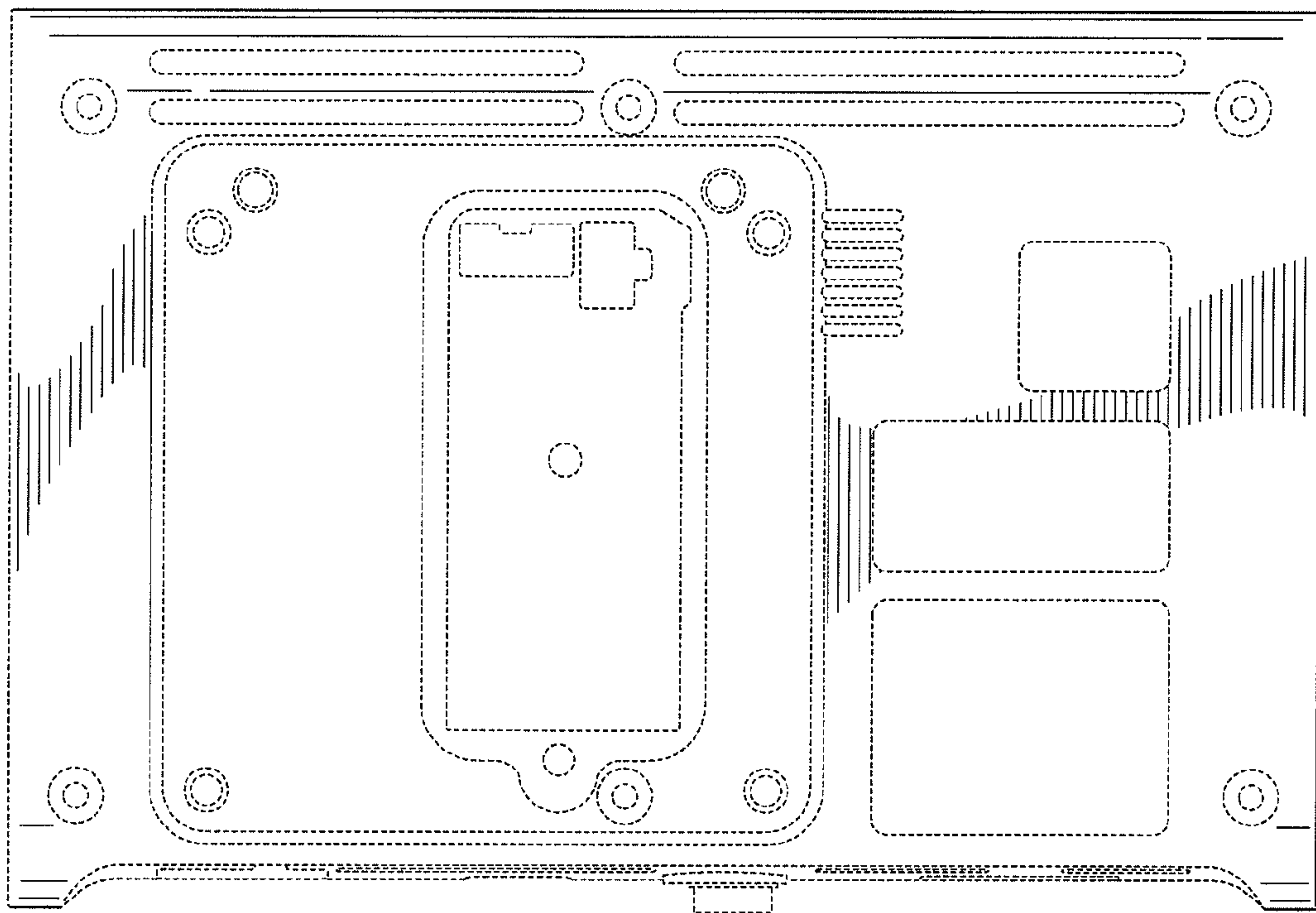
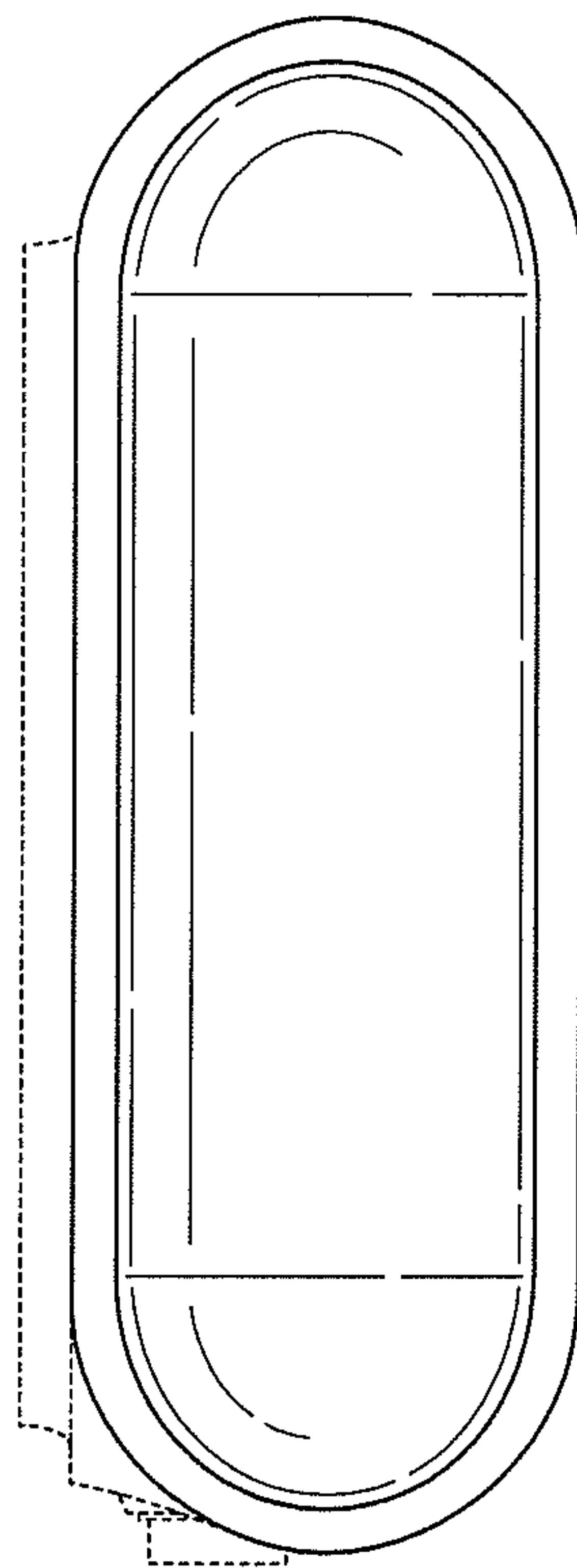


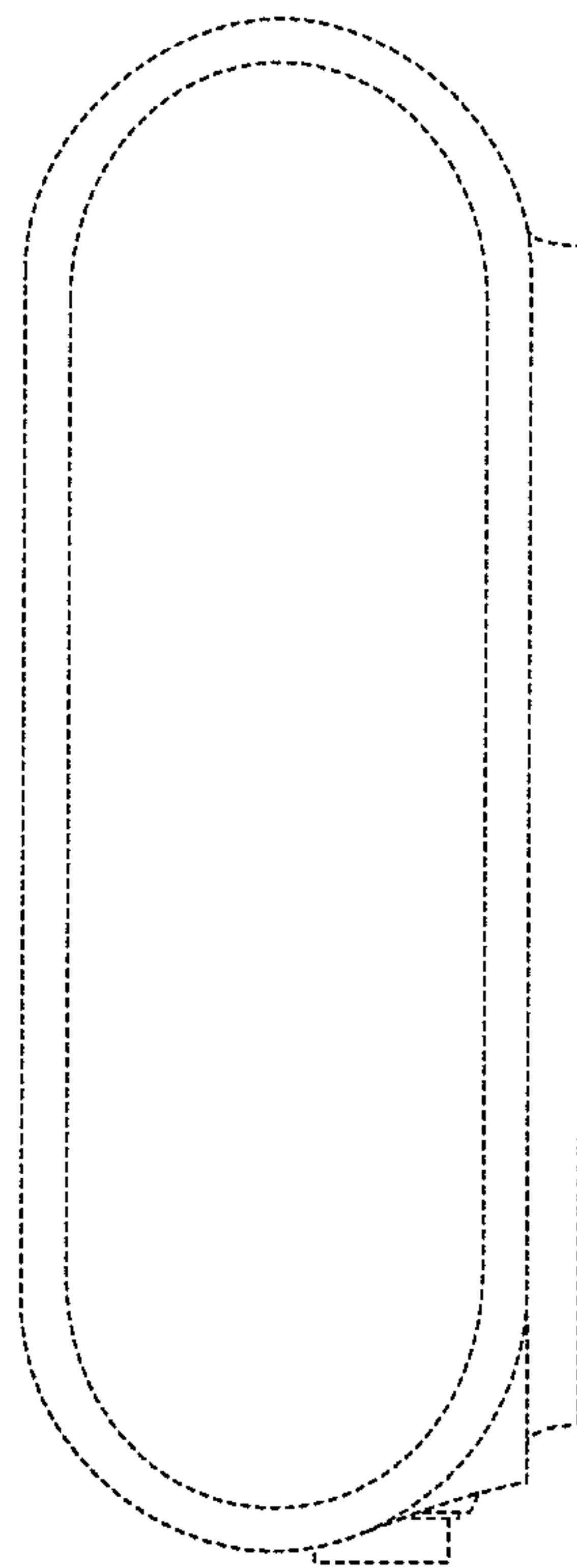
FIG. 9



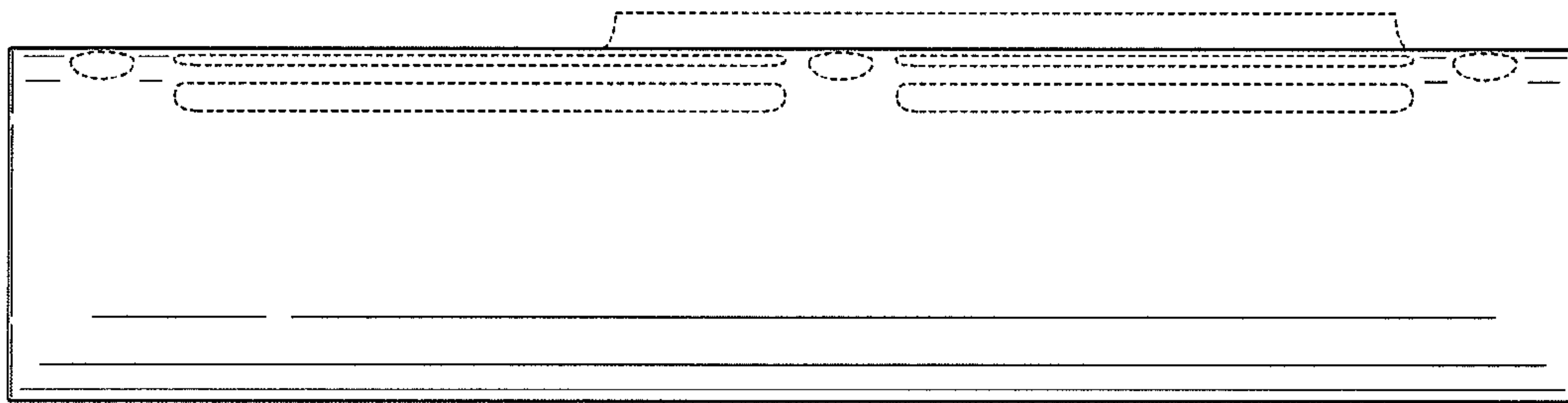
**FIG. 10**



**FIG. 11**

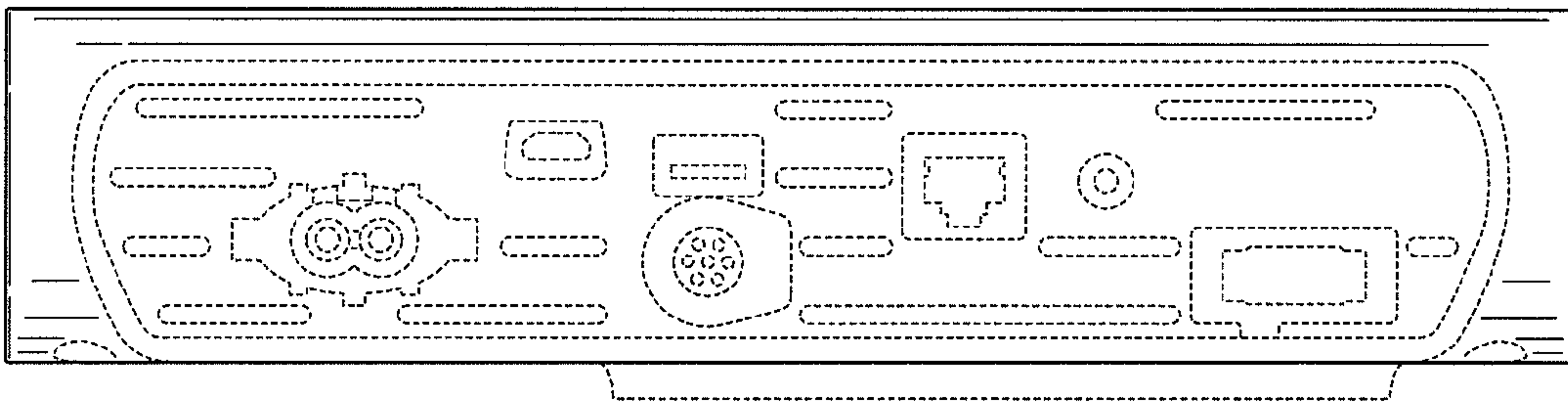


**FIG. 12**



**FIG. 13**





**FIG. 14**

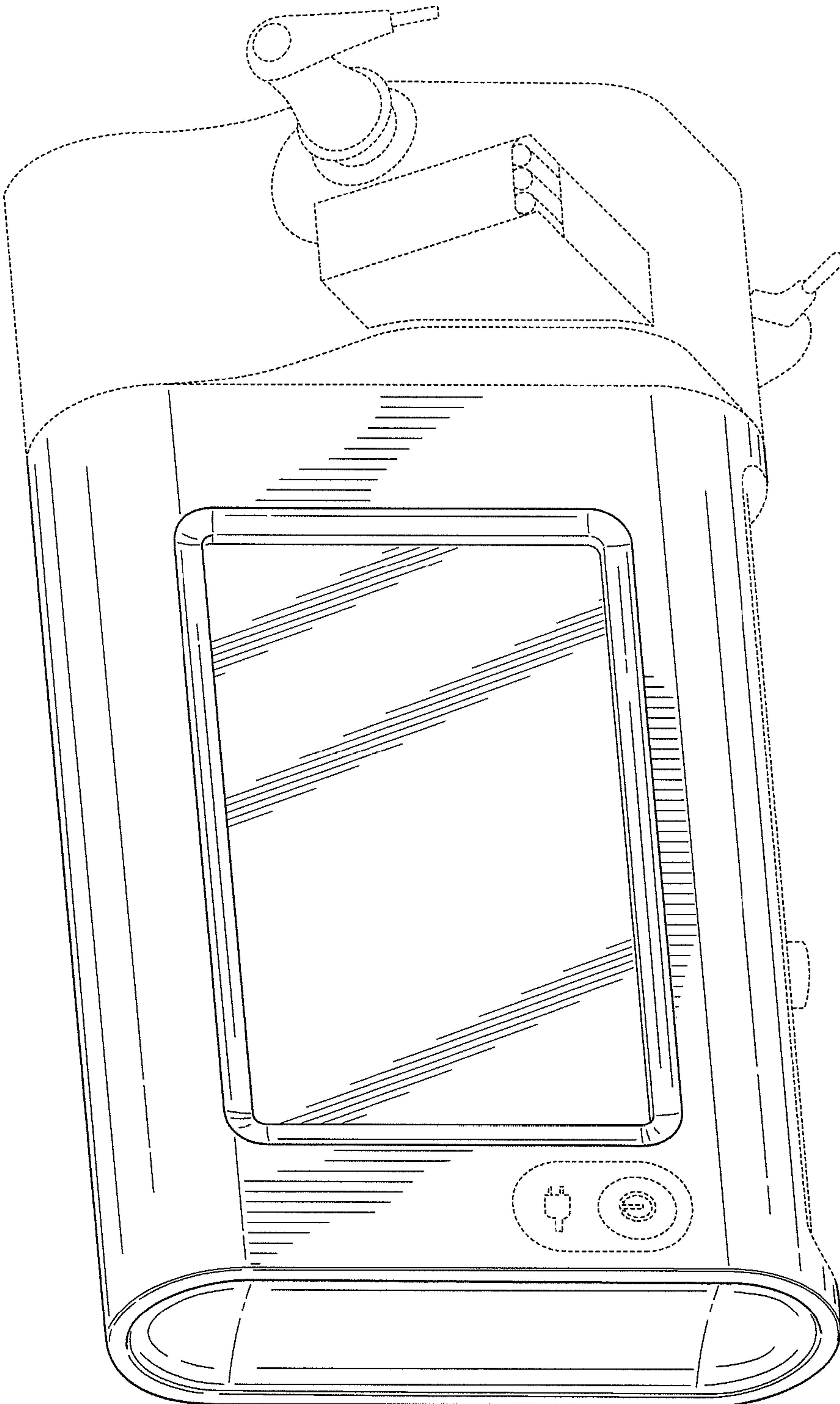


FIG. 15

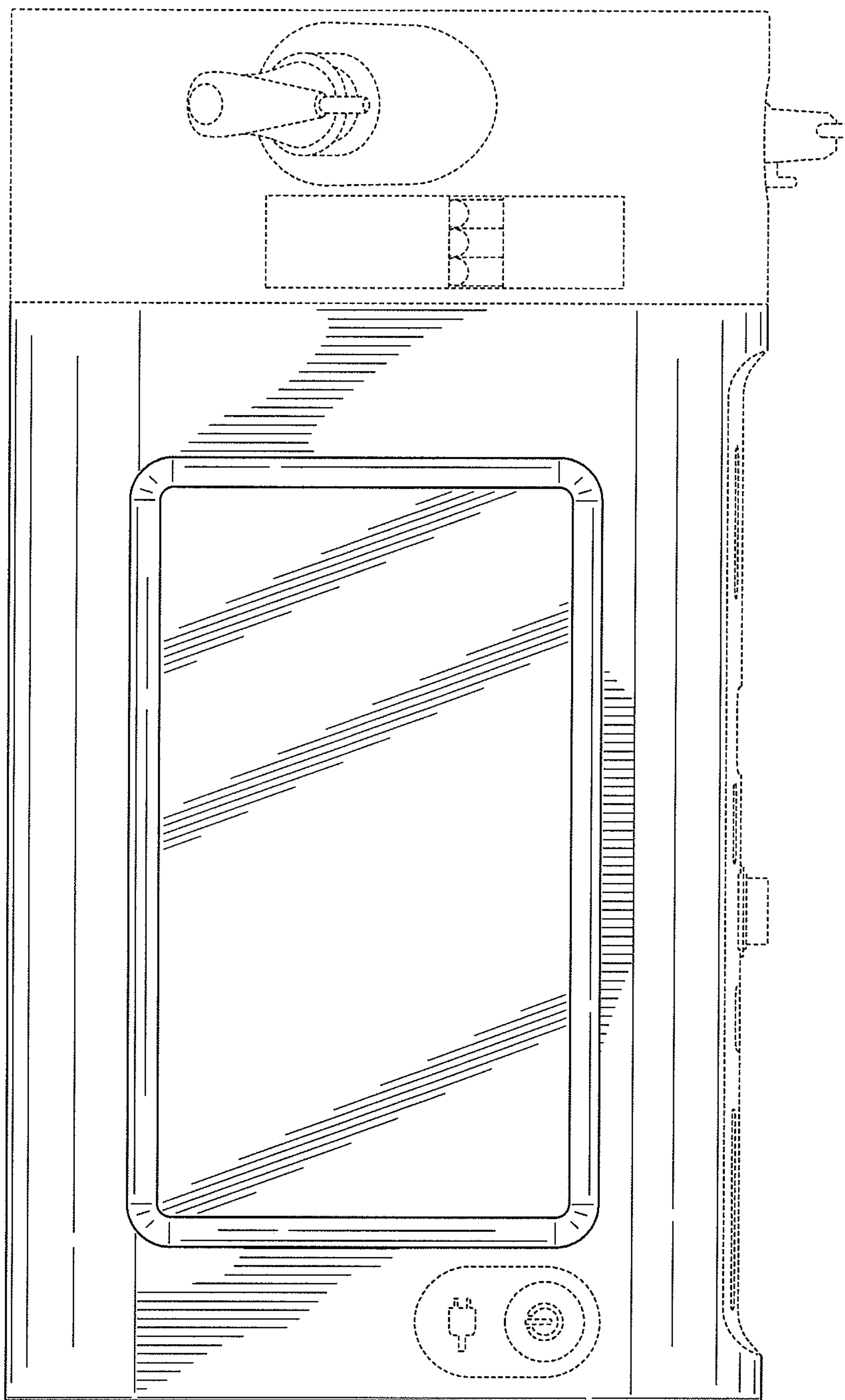


FIG. 16

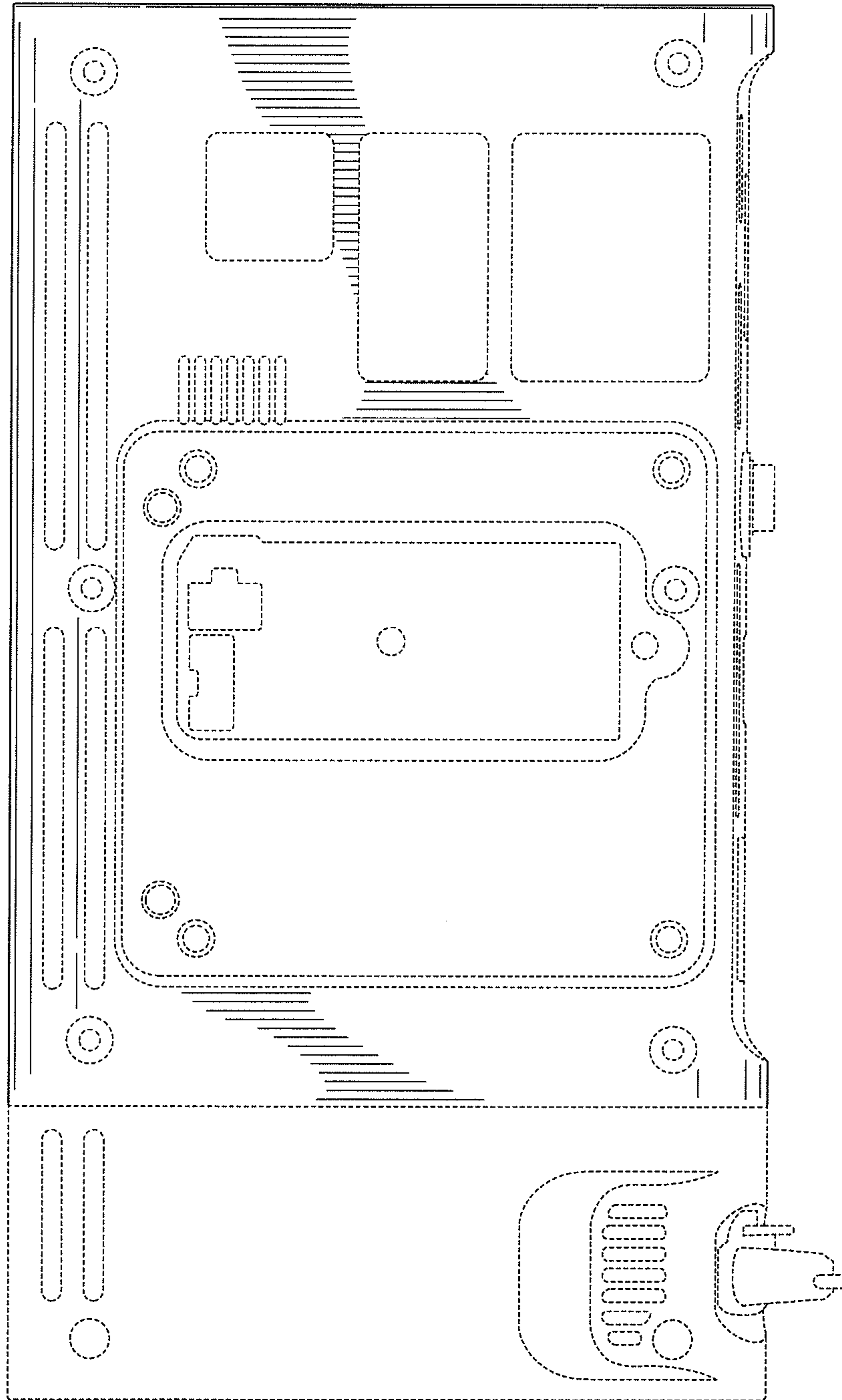
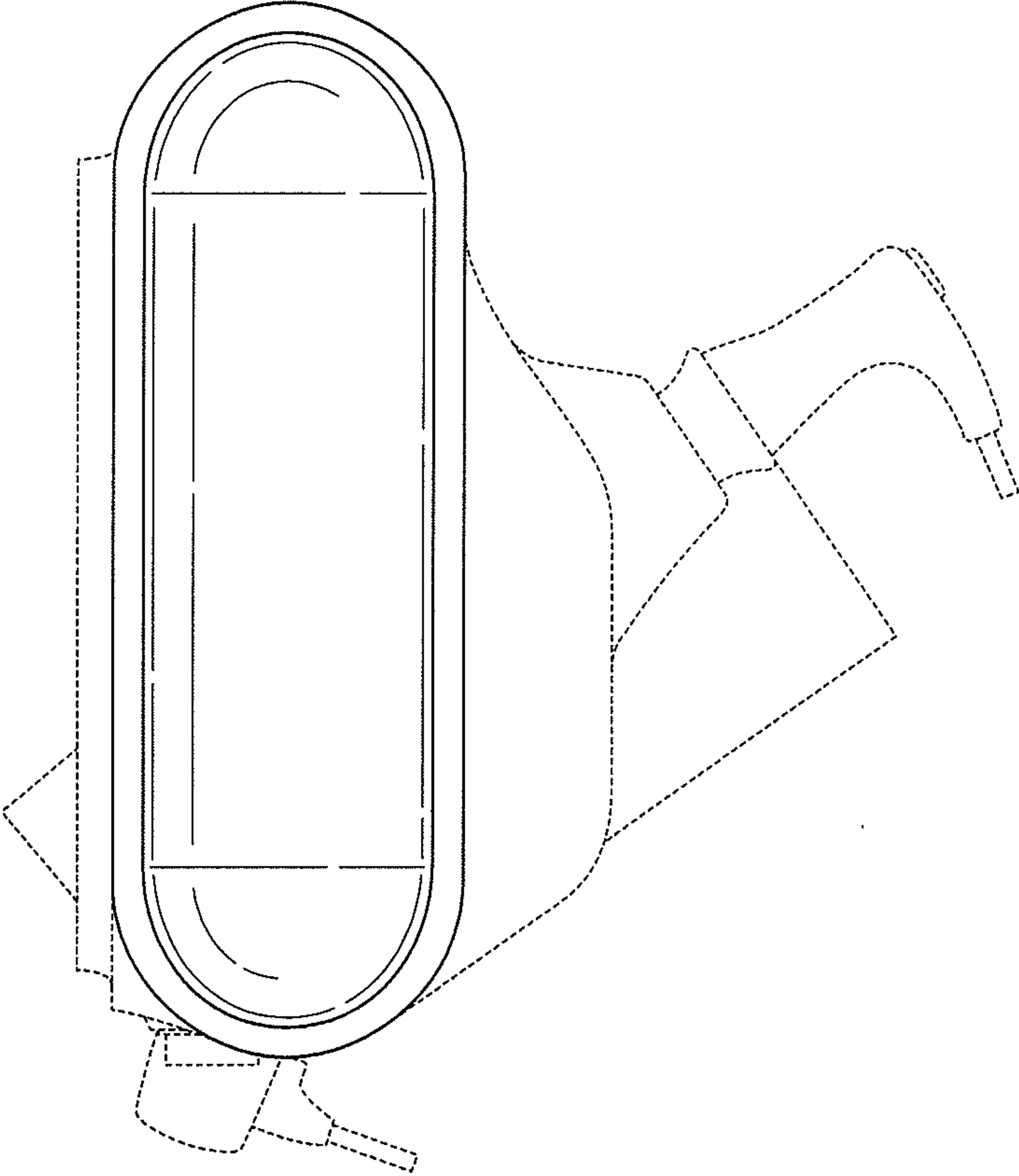
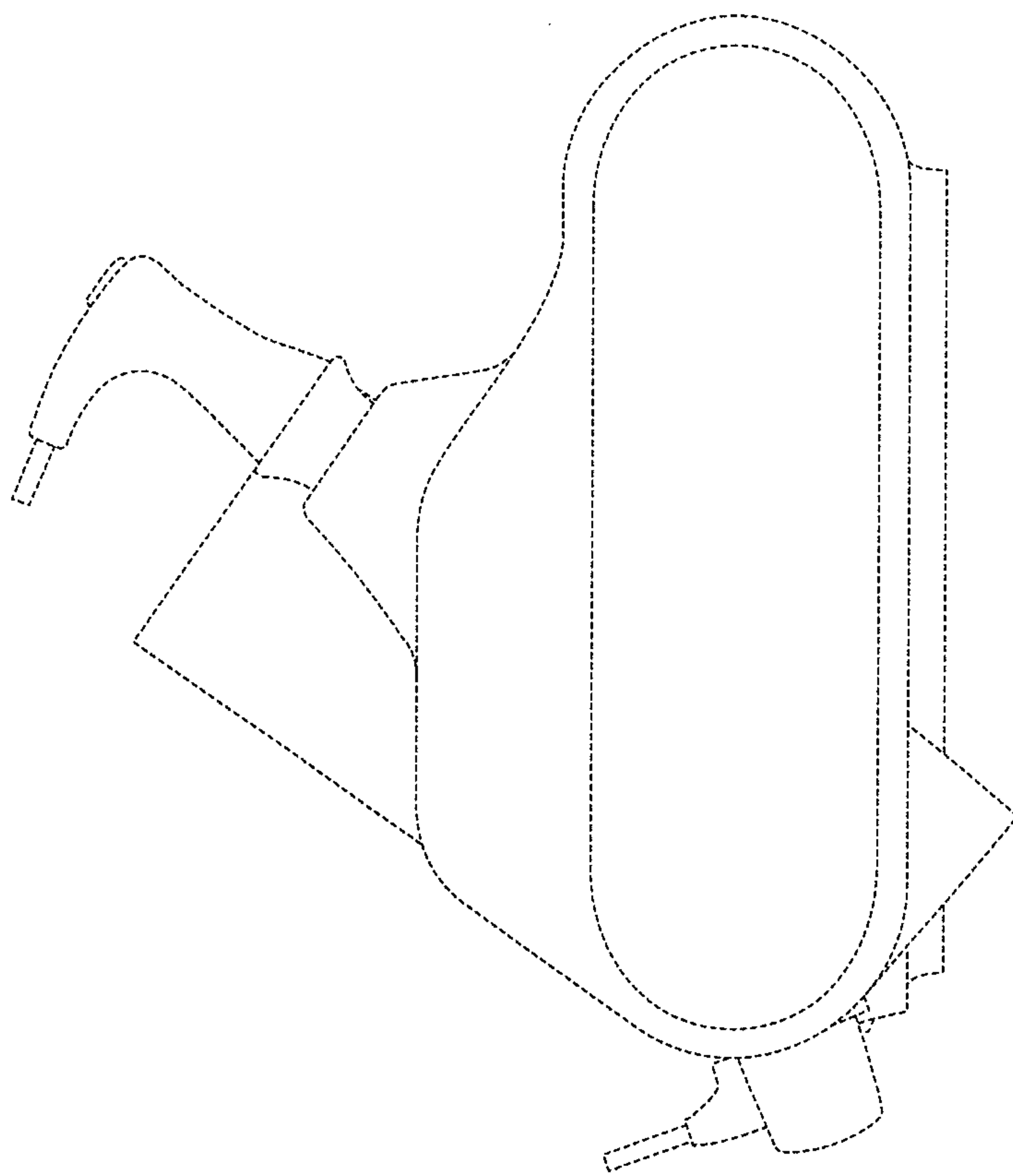


FIG. 17



**FIG. 18**



**FIG. 19**

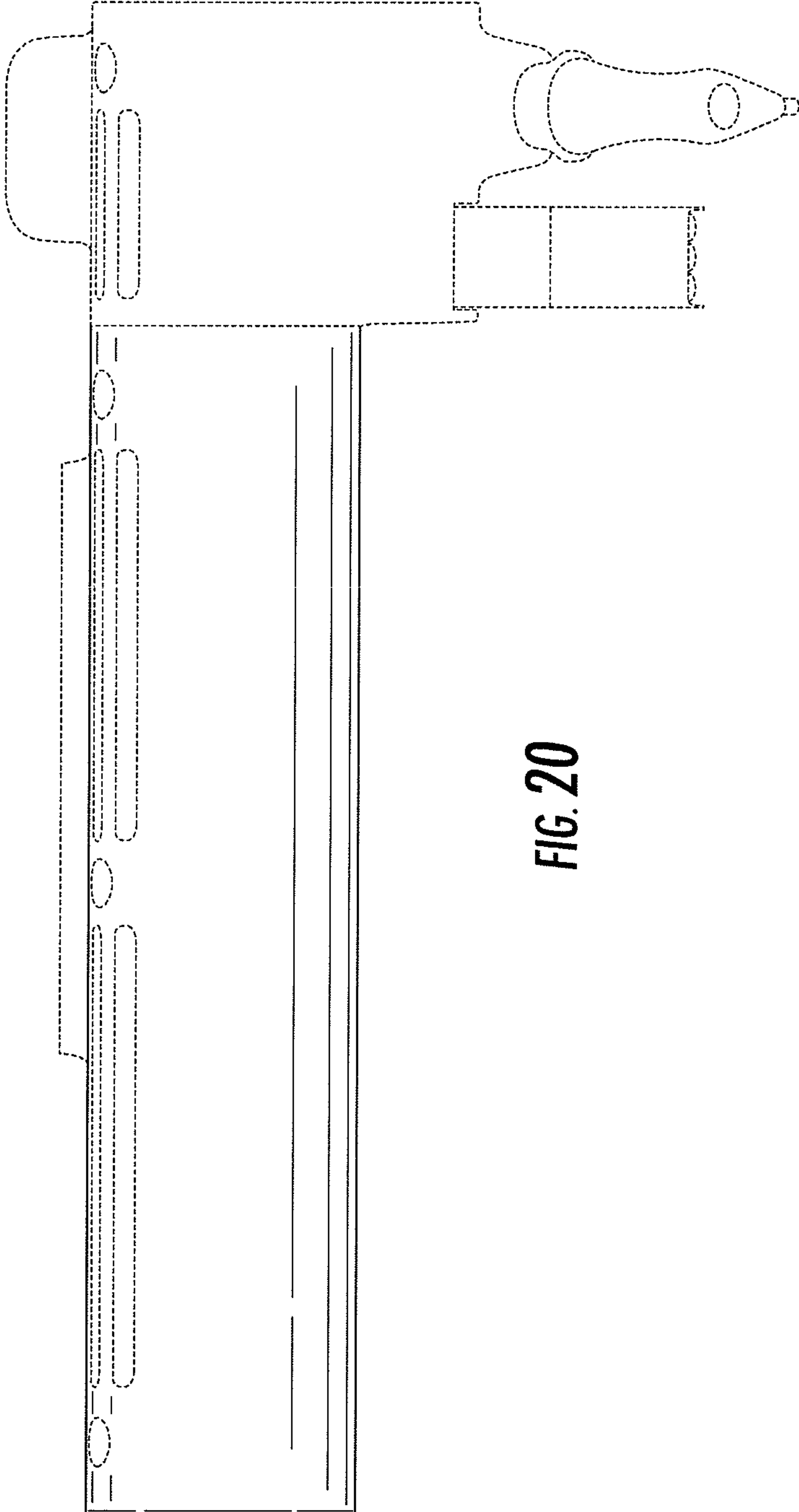


FIG. 20



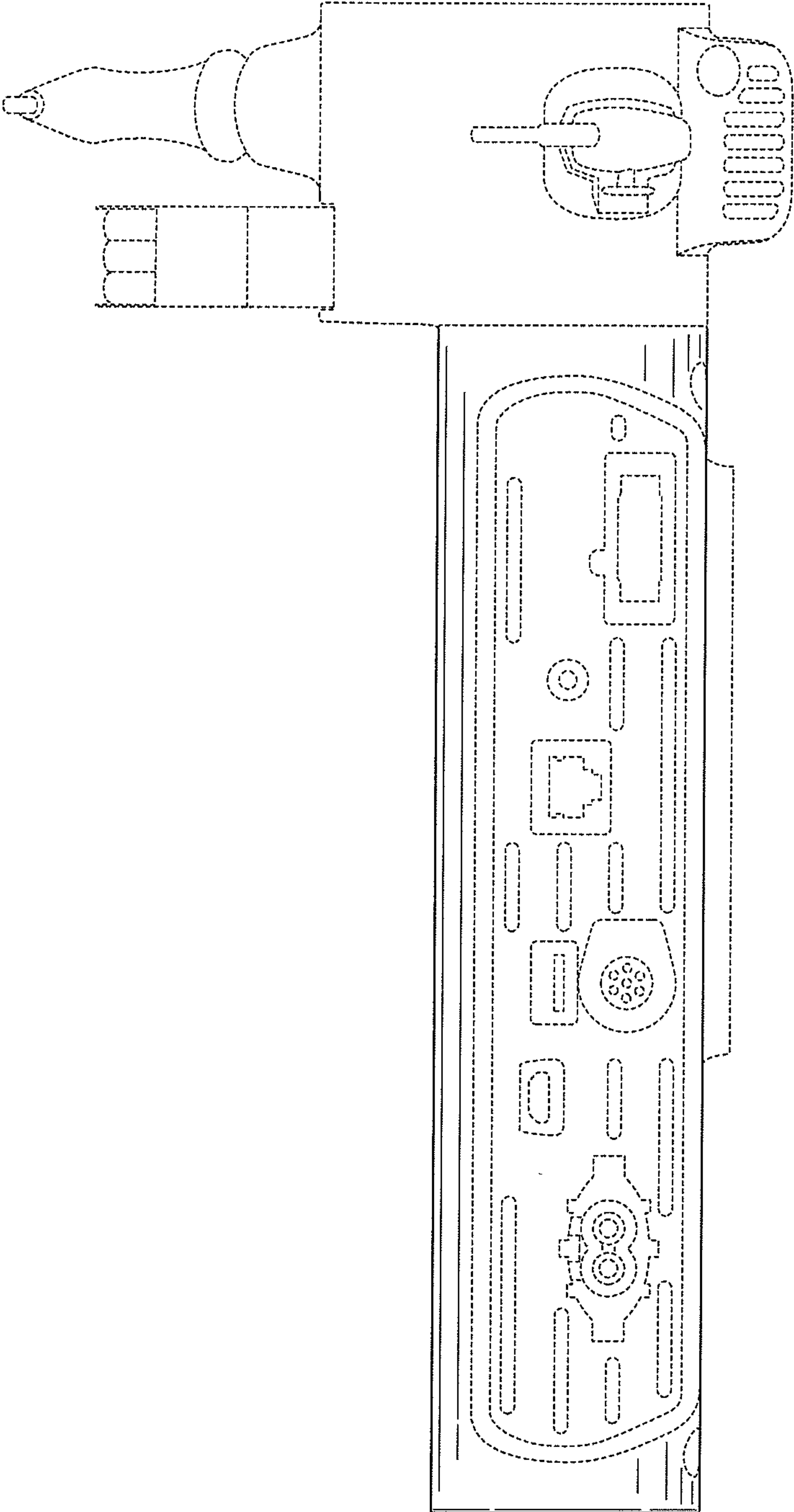


FIG. 21

UNITED STATES PATENT AND TRADEMARK OFFICE  
**CERTIFICATE OF CORRECTION**

PATENT NO. : D759,254 S  
APPLICATION NO. : 29/501548  
DATED : June 14, 2016  
INVENTOR(S) : Knieriem et al.

Page 1 of 1

It is certified that error appears in the above-identified patent and that said Letters Patent is hereby corrected as shown below:

On the Title Page

In the DESCRIPTION:

“The broken lines showing the side attachment in FIGS. 15-21 are directed to an environment and are for illustrative only.” should read --The broken lines showing the side attachment in FIGS. 15-21 are directed to an environment and are for illustrative purposes only.--.

Signed and Sealed this  
Eleventh Day of April, 2017



Michelle K. Lee  
*Director of the United States Patent and Trademark Office*