



US00D759251S

(12) **United States Design Patent**  
**Kumar**

(10) **Patent No.:** **US D759,251 S**  
(45) **Date of Patent:** **\*\* Jun. 14, 2016**

(54) **SPLINT**  
(71) Applicant: **Pranesh Kumar**, Auckland (NZ)  
(72) Inventor: **Pranesh Kumar**, Auckland (NZ)  
(\*\*) Term: **14 Years**  
(21) Appl. No.: **29/511,863**  
(22) Filed: **Dec. 15, 2014**

(30) **Foreign Application Priority Data**  
Jun. 13, 2014 (NZ) ..... 418942  
(51) **LOC (10) Cl.** ..... **24-00**  
(52) **U.S. Cl.**  
USPC ..... **D24/171**  
(58) **Field of Classification Search**  
USPC ..... D24/171, 172, 185, 155, 192, 140, 133;  
602/16, 12, 21, 20, 27, 22; 606/88;  
128/898  
CPC ..... A61F 13/04; A61F 5/0123; A61F 5/0118;  
A61F 5/05875; A61F 5/0111; A61B 17/155;  
A61B 18/1492  
See application file for complete search history.

(56) **References Cited**  
**U.S. PATENT DOCUMENTS**  
6,159,216 A \* 12/2000 Burkinshaw et al. .... 606/88  
6,502,577 B1 \* 1/2003 Bonutti ..... 128/898  
D623,292 S \* 9/2010 Kubota ..... D24/140  
D638,541 S \* 5/2011 Claypool ..... D24/133  
D646,388 S \* 10/2011 Habegger et al. .... D24/140  
D649,634 S \* 11/2011 May et al. .... D24/133

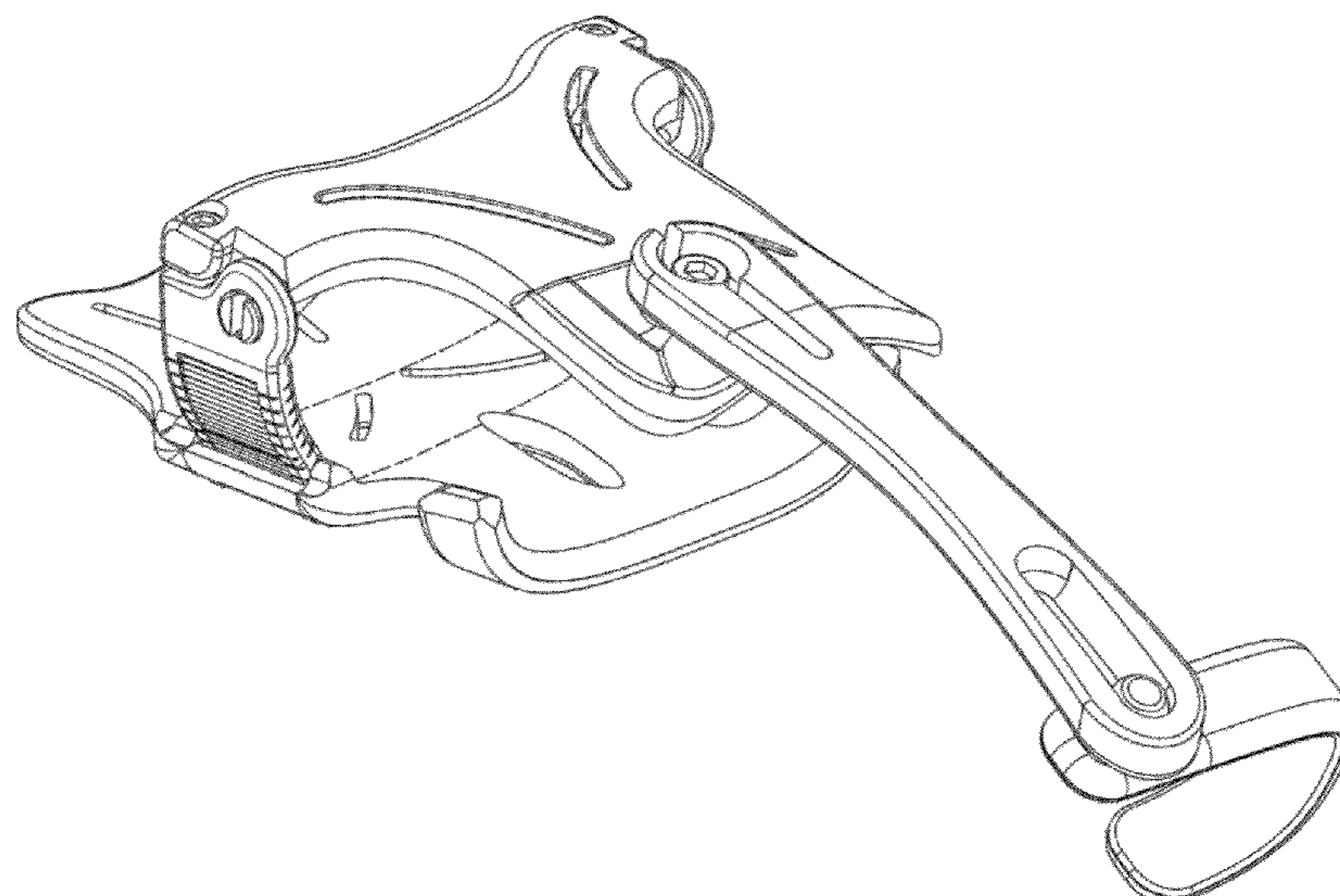
8,246,561 B1 \* 8/2012 Agee et al. .... 602/22  
D696,406 S \* 12/2013 De Santis et al. .... D24/171  
D717,433 S \* 11/2014 Samani et al. .... D24/155  
D717,961 S \* 11/2014 Rupert ..... D24/192  
D720,459 S \* 12/2014 Faux et al. .... D24/171  
D725,774 S \* 3/2015 Lubensky et al. .... D24/140  
2007/0167893 A1 \* 7/2007 Frisbie ..... 602/12  
2007/0219475 A1 \* 9/2007 Bonutti et al. .... 602/16  
2009/0054820 A1 \* 2/2009 Weltner et al. .... 602/21  
2009/0287123 A1 \* 11/2009 Hoffman ..... 602/21  
2012/0101421 A1 \* 4/2012 Albrecht ..... 602/20  
2012/0143112 A1 \* 6/2012 Tomiyama et al. .... 602/27  
2012/0296248 A1 \* 11/2012 Wayd et al. .... 602/16

\* cited by examiner  
*Primary Examiner* — Holly Baynham  
*Assistant Examiner* — Rhea Shields  
(74) *Attorney, Agent, or Firm* — Greer, Burns & Crain, Ltd.

(57) **CLAIM**  
The ornamental design for a splint, as shown and described.

**DESCRIPTION**  
FIG. 1 is a top perspective view of the splint, showing my new design;  
FIG. 2 is another top perspective view thereof;  
FIG. 3 is a top view thereof;  
FIG. 4 is a bottom view thereof;  
FIG. 5 is a left side view thereof;  
FIG. 6 is a right side thereof; and,  
FIG. 7 is a front view thereof.  
In the drawings, the broken lines are for the purpose of illustrating environment only and form no part of the claimed design.

**1 Claim, 7 Drawing Sheets**



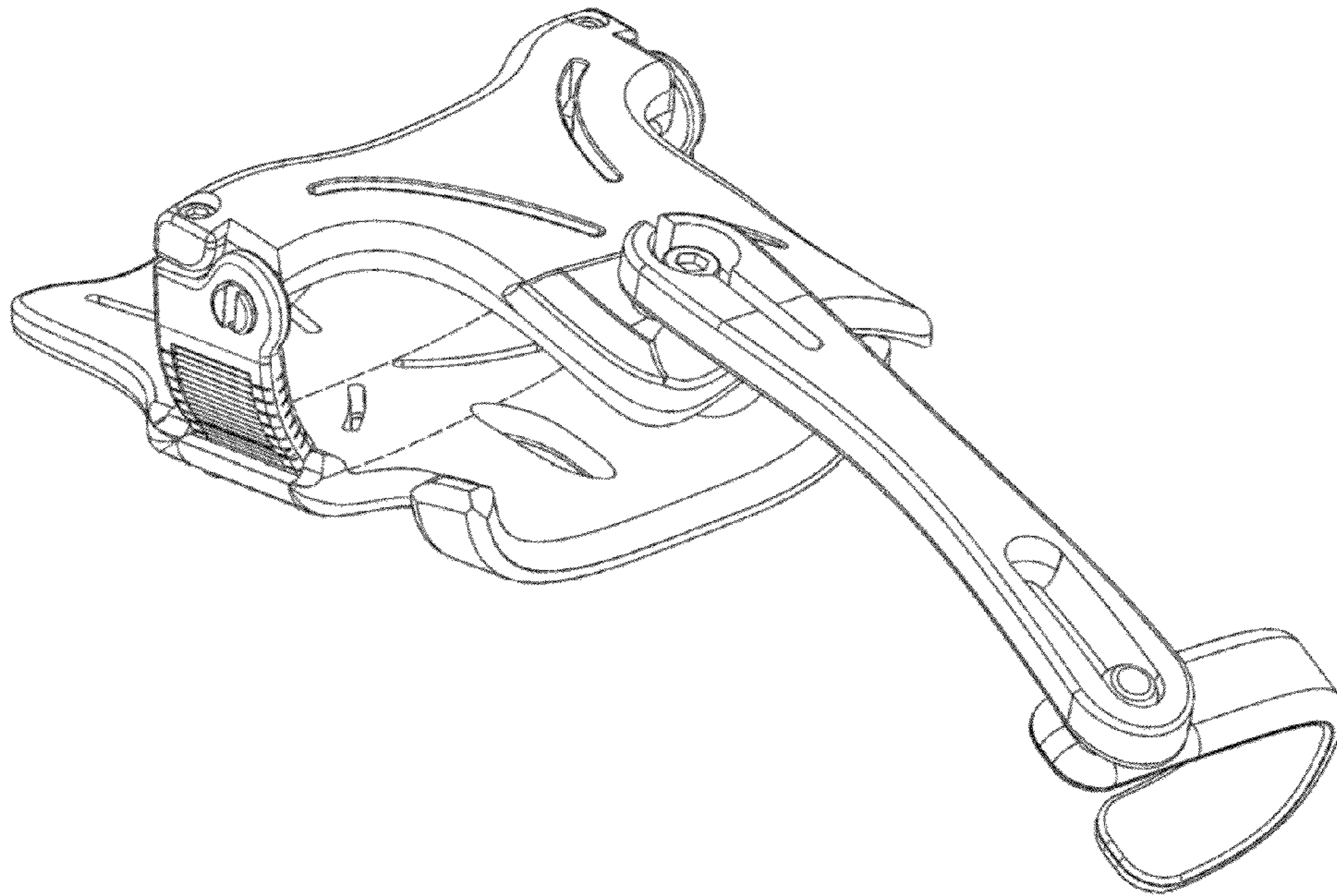


FIG. 1

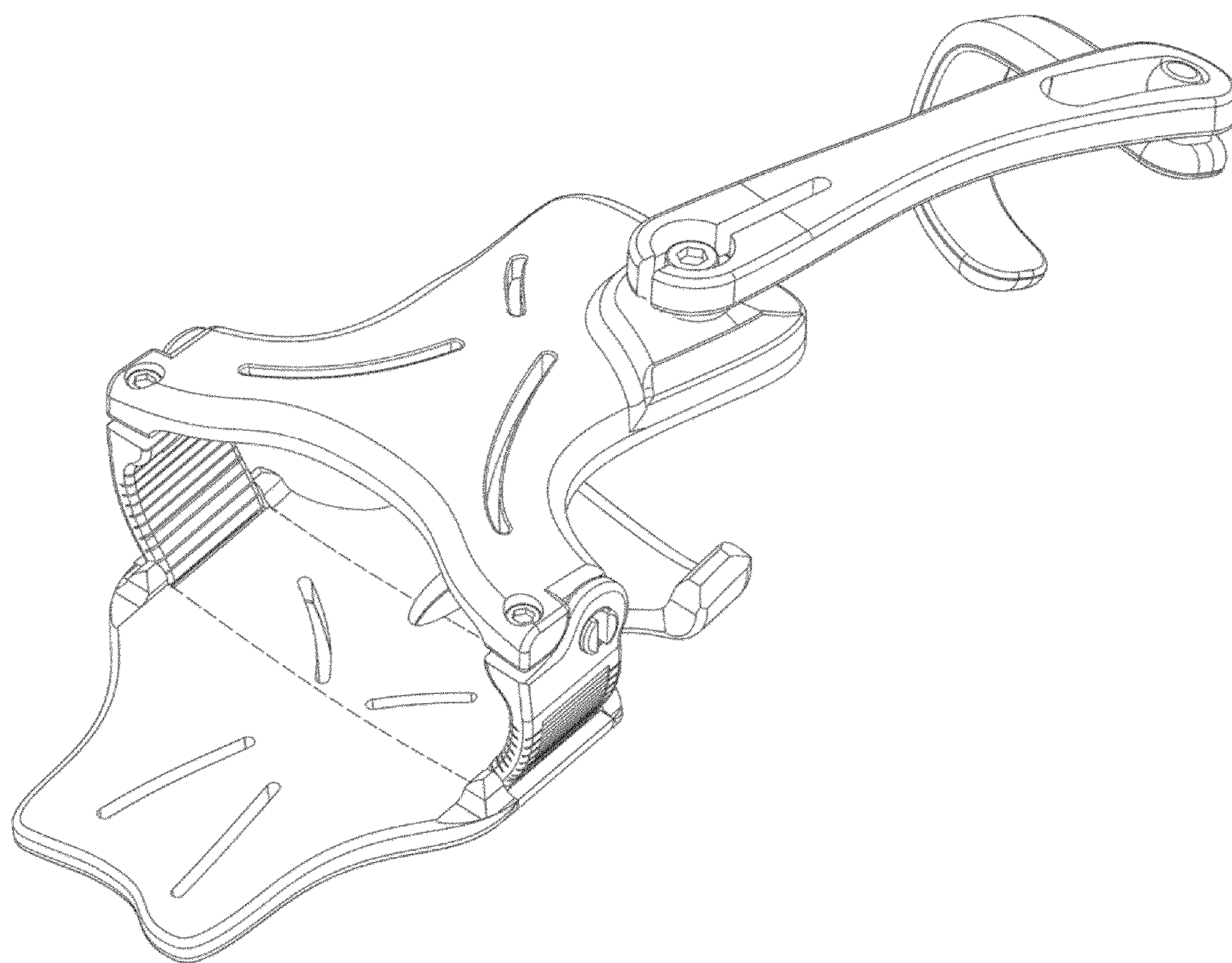


FIG. 2



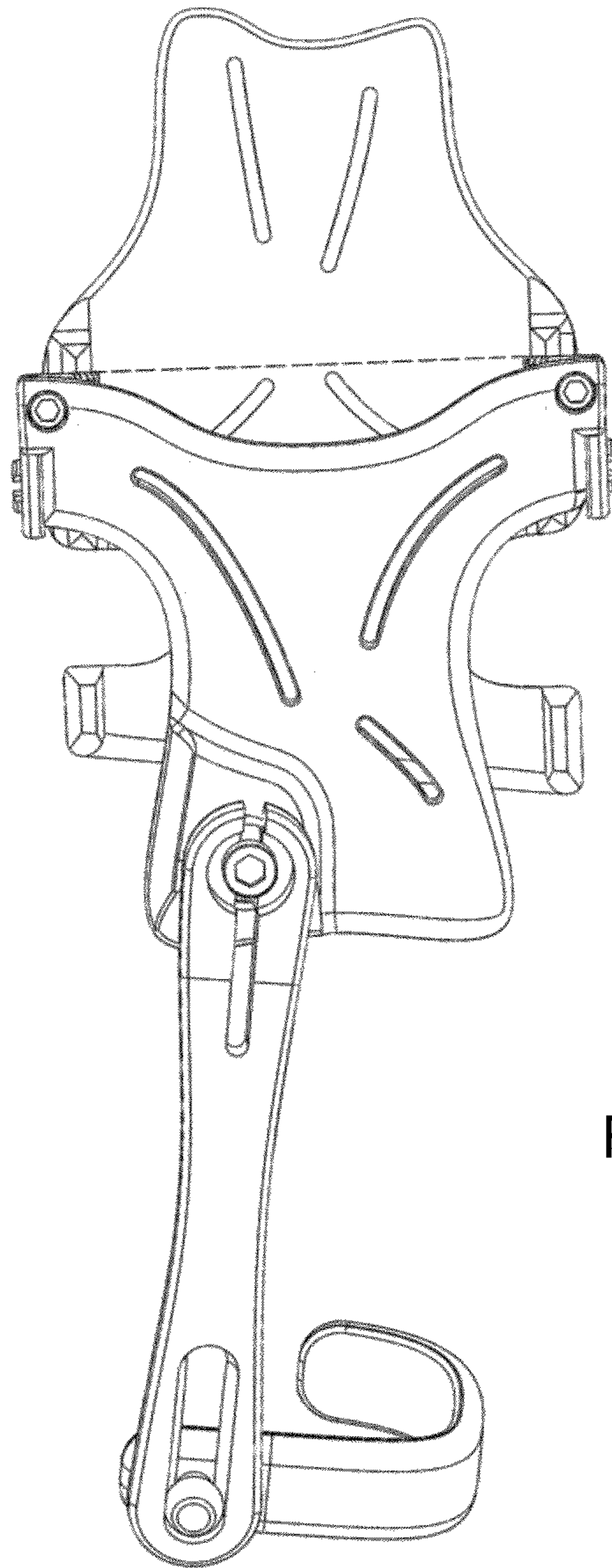


FIG. 3

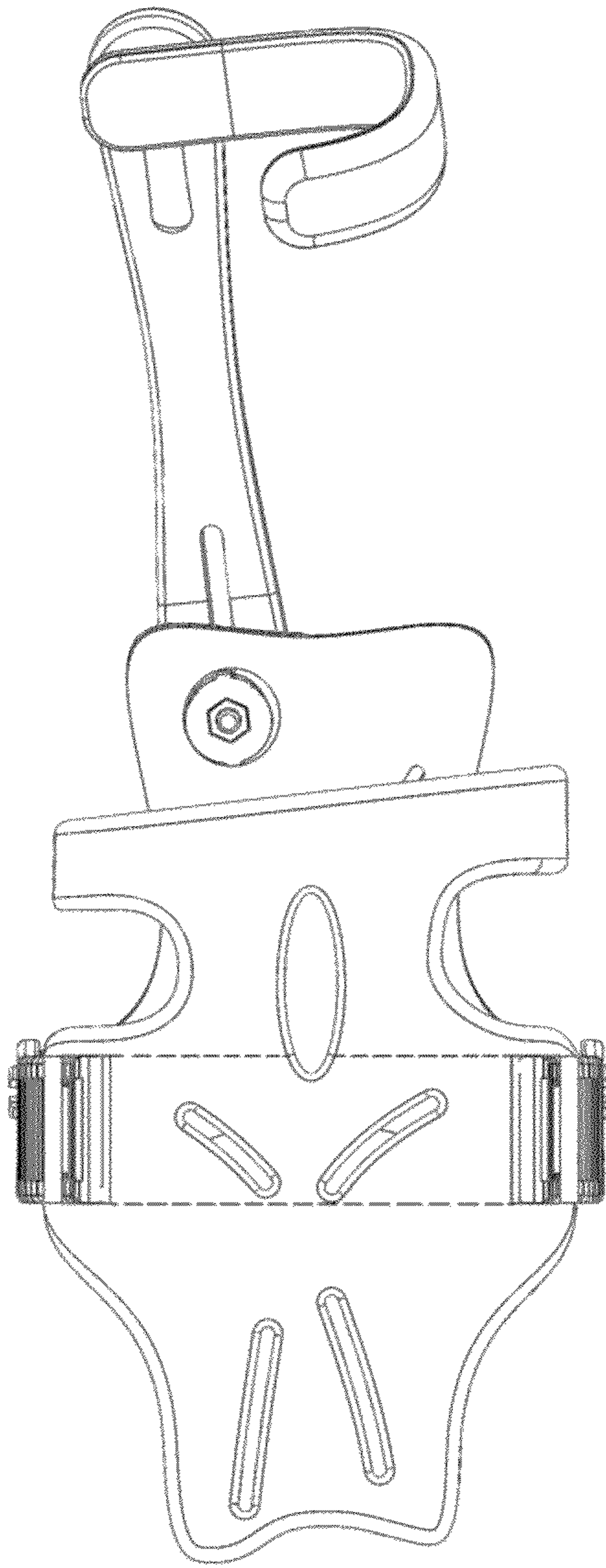


FIG. 4

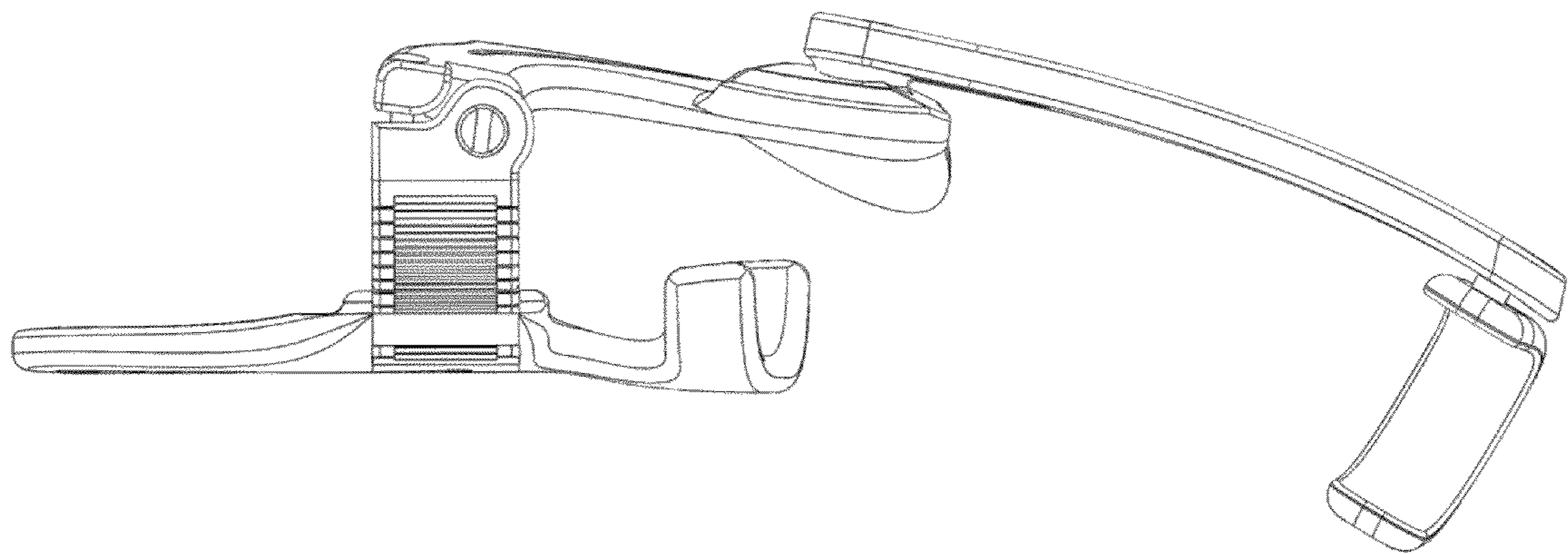


FIG. 5

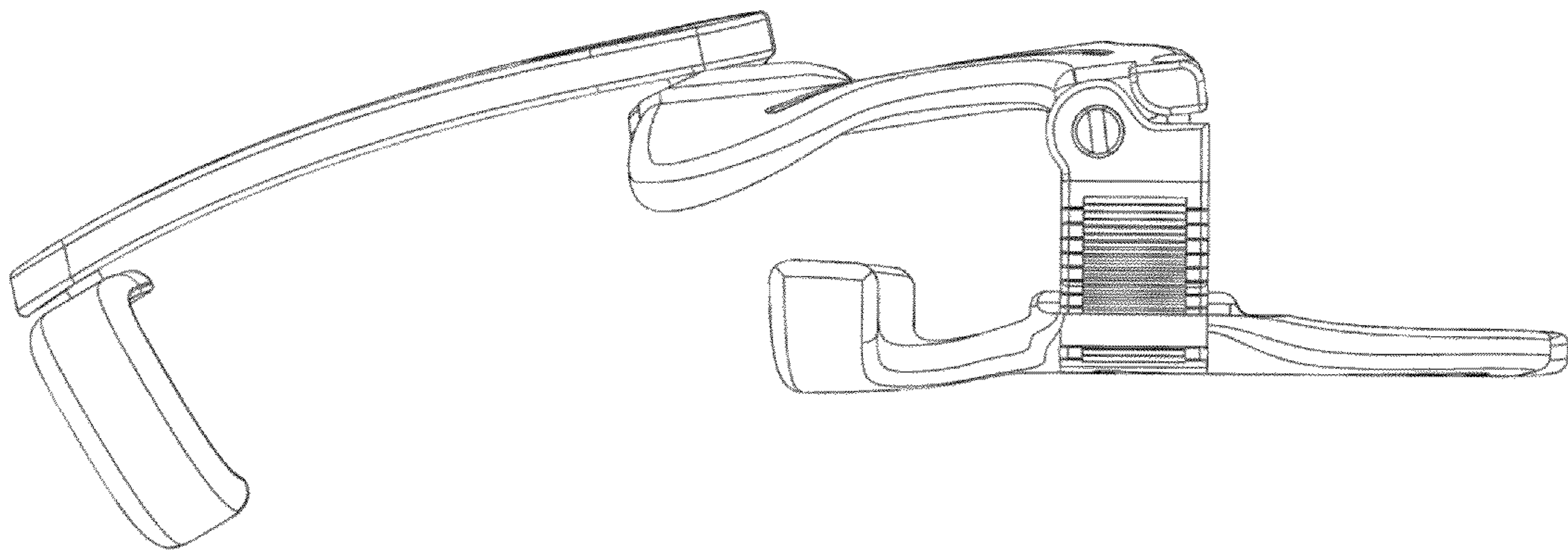


FIG. 6

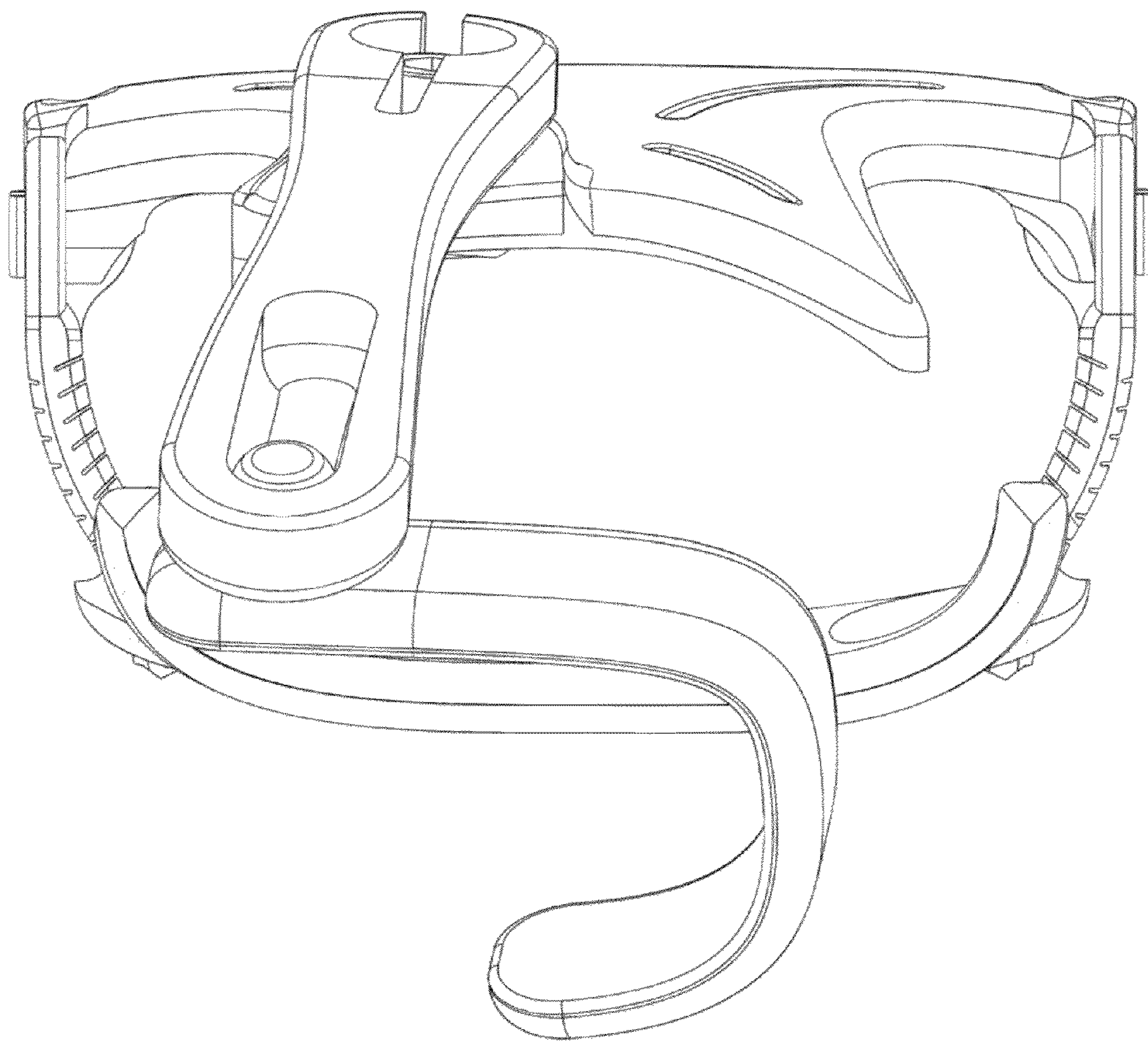


FIG. 7