



US00D759250S

(12) **United States Design Patent**  
**Engler**

(10) **Patent No.:** **US D759,250 S**  
(45) **Date of Patent:** **\*\* Jun. 14, 2016**

(54) **POWER GENERATOR FOR SURGICAL  
HAND PIECES**

(71) Applicant: **AESCULAP AG**, Tuttlingen (DE)

(72) Inventor: **Berthold Engler**, München (DE)

(73) Assignee: **AESCULAP AG**, Tuttlingen (DE)

(\*\*) Term: **14 Years**

(21) Appl. No.: **29/511,777**

(22) Filed: **Dec. 12, 2014**

(51) **LOC (10) Cl.** ..... **24-00**

(52) **U.S. Cl.**  
USPC ..... **D24/170**

(58) **Field of Classification Search**  
USPC ..... D24/170, 232, 144, 138, 169; D13/112,  
D13/116; 606/34, 45, 37, 48; 439/489;  
700/83; 607/102  
CPC ..... A61B 18/1206; A61B 18/1402; A61B  
18/1815; H01R 13/641; G05B 15/02  
See application file for complete search history.

(56) **References Cited**

**U.S. PATENT DOCUMENTS**

D351,655 S	*	10/1994	Smith et al.	.....	D24/170
D359,353 S	*	6/1995	Butter	.....	D24/144
D411,622 S	*	6/1999	Hall	.....	D24/170
D477,408 S	*	7/2003	Bromley	.....	D24/170
D491,666 S	*	6/2004	Kimmell et al.	.....	D24/170
D550,357 S	*	9/2007	Hayamizu	.....	D24/138
D552,241 S	*	10/2007	Bromley et al.	.....	D24/170
D567,761 S	*	4/2008	Waler et al.	.....	D13/112
D574,323 S	*	8/2008	Waler	.....	D13/112

D687,146 S	*	7/2013	Juzkiw et al.	.....	D24/170
D695,407 S	*	12/2013	Price et al.	.....	D24/170
D704,839 S	*	5/2014	Juzkiw et al.	.....	D24/170
D712,352 S	*	9/2014	George et al.	.....	D13/112
D712,353 S	*	9/2014	George et al.	.....	D13/112
D712,833 S	*	9/2014	George et al.	.....	D13/112
2014/0330266 A1	*	11/2014	Thompson et al.	.....	606/34

\* cited by examiner

*Primary Examiner* — Holly Baynham

*Assistant Examiner* — Rhea Shields

(74) *Attorney, Agent, or Firm* — Kenealy Vaidya LLP

(57) **CLAIM**

The ornamental design for a power generator for surgical hand pieces, as shown and described.

**DESCRIPTION**

FIG. 1 is a perspective view of a power generator for surgical hand pieces showing our new design;  
 FIG. 2 is a front view of the power generator for surgical hand pieces;  
 FIG. 3 is a first side view of the power generator for surgical hand pieces;  
 FIG. 4 is a second side view of the power generator for surgical hand pieces;  
 FIG. 5 is a back view of the power generator for surgical hand pieces;  
 FIG. 6 is a top view of the power generator for surgical hand pieces; and,  
 FIG. 7 is a bottom view of the power generator for surgical hand pieces.  
 In the drawings, the broken lines are for the purpose of illustrating environment only and form no part of the claimed design.

**1 Claim, 7 Drawing Sheets**

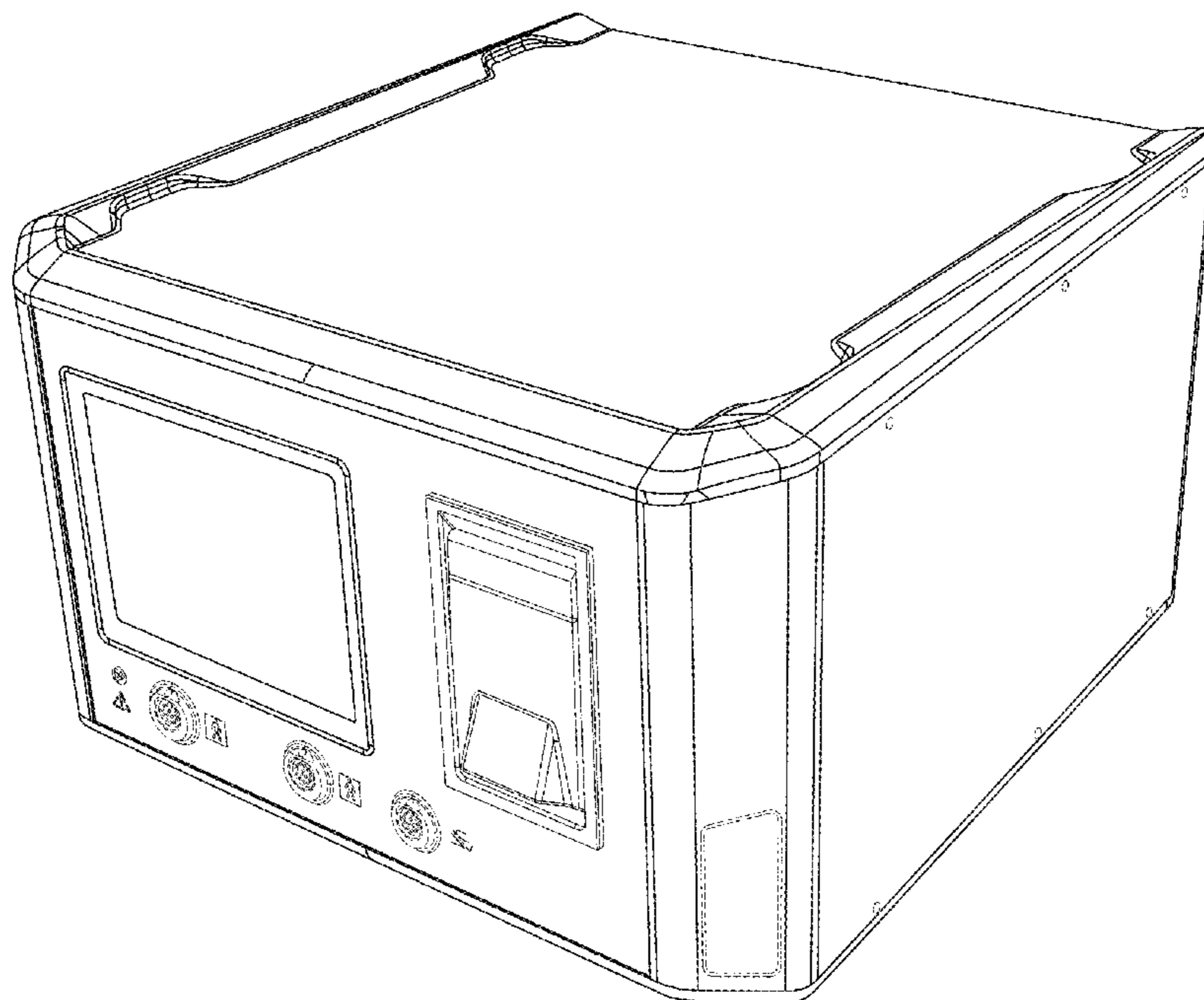


FIG. 1

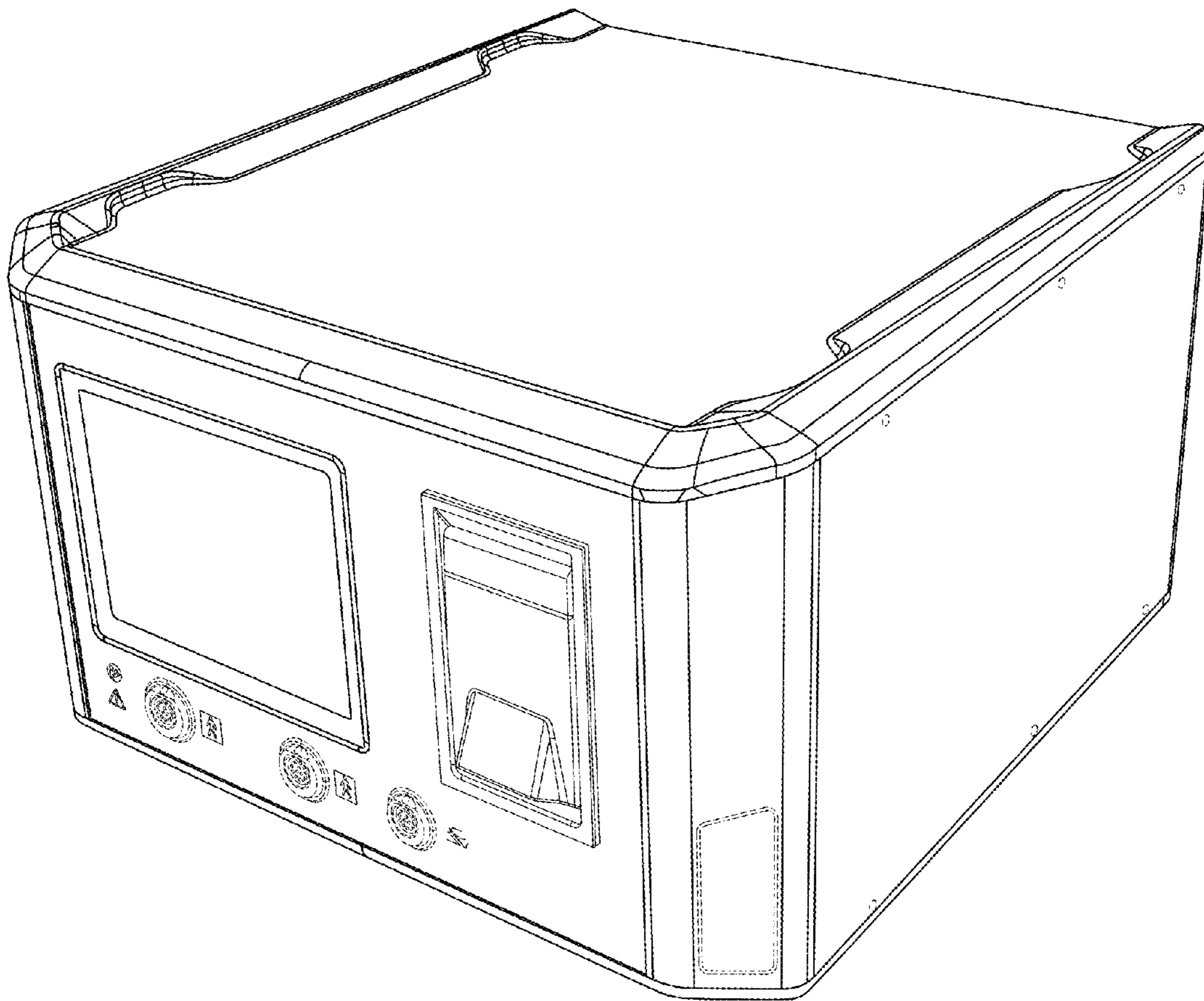


FIG. 2

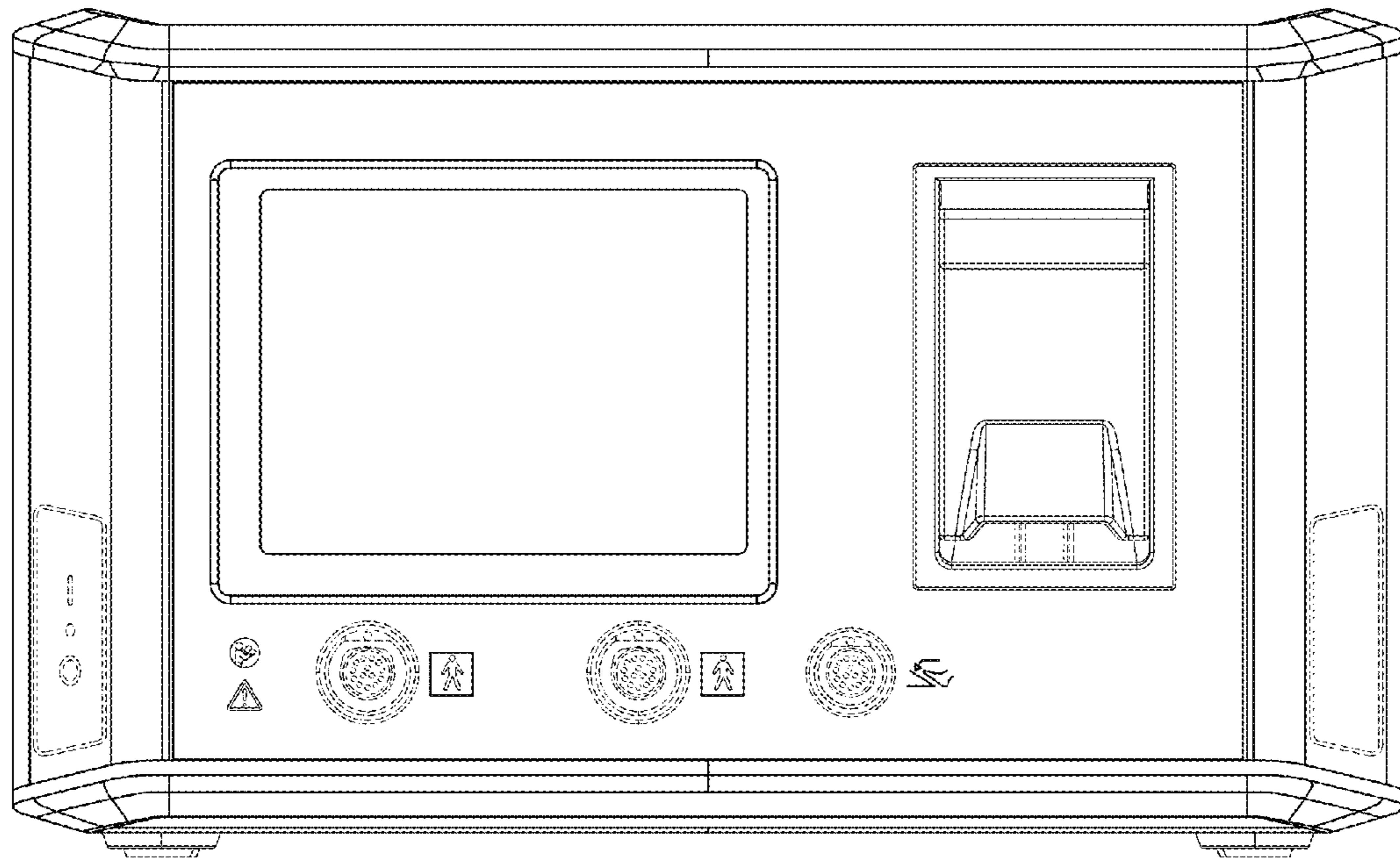
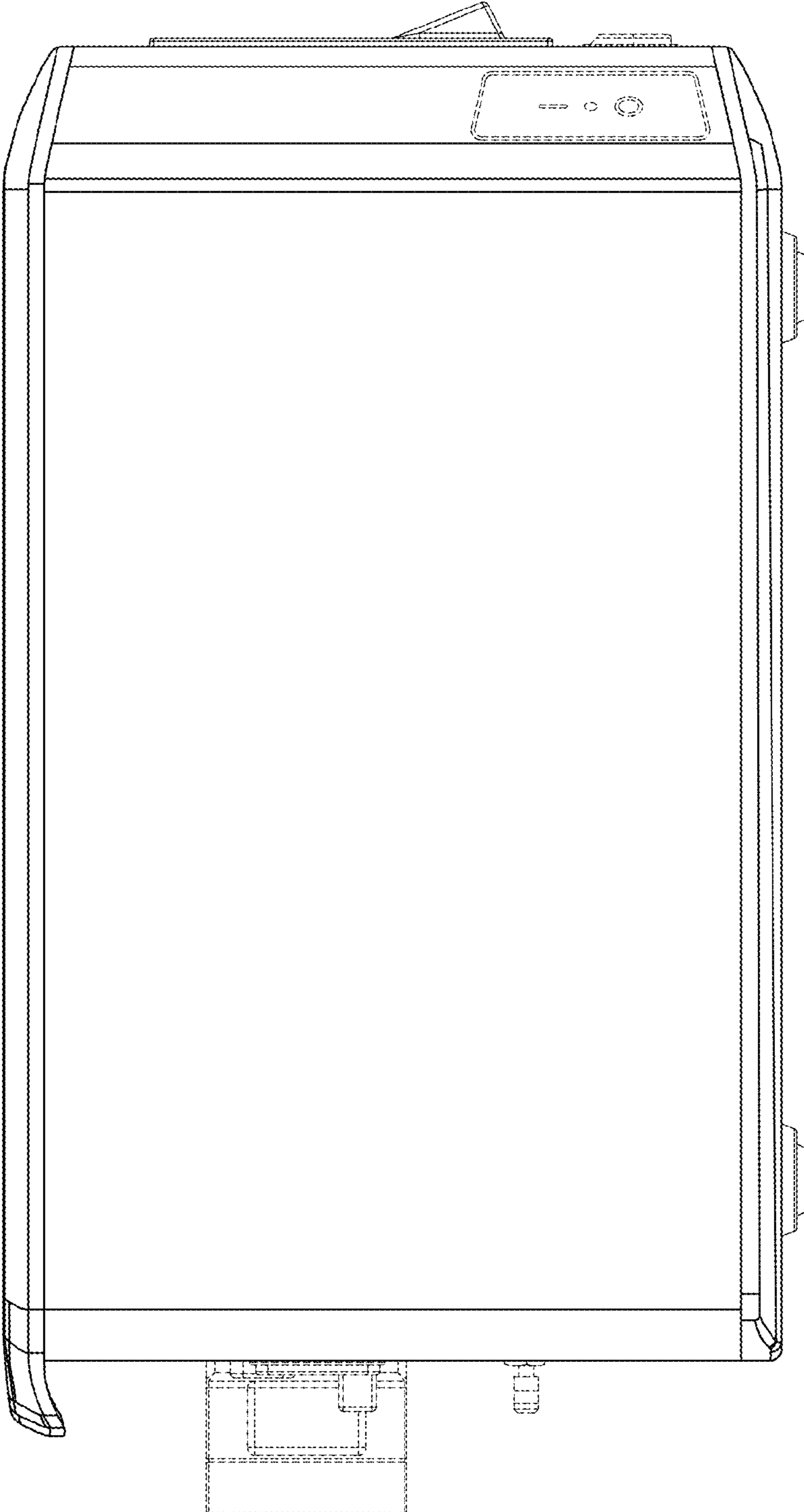


FIG. 3



Replacement Sheet

FIG. 4

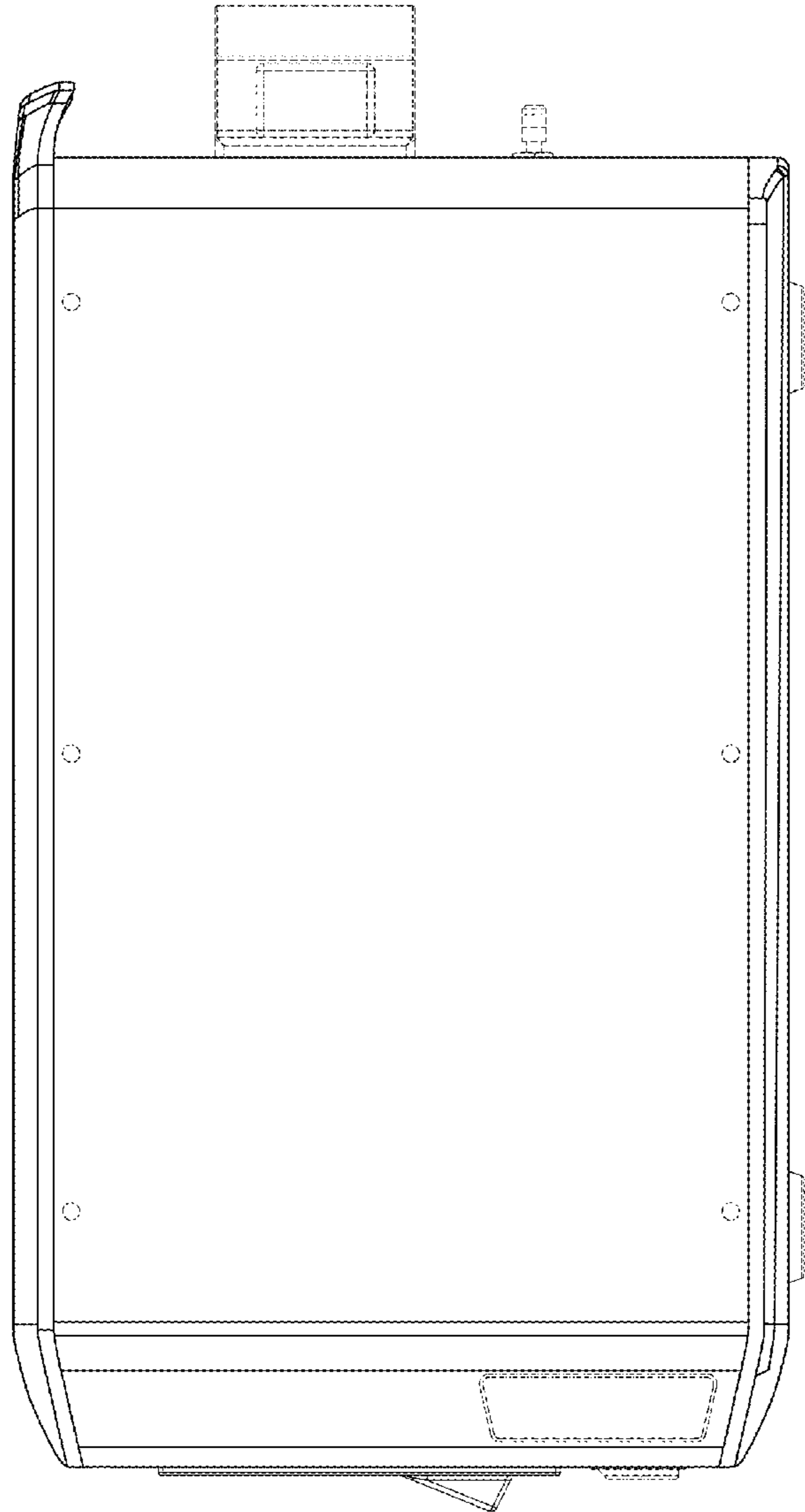




FIG. 5

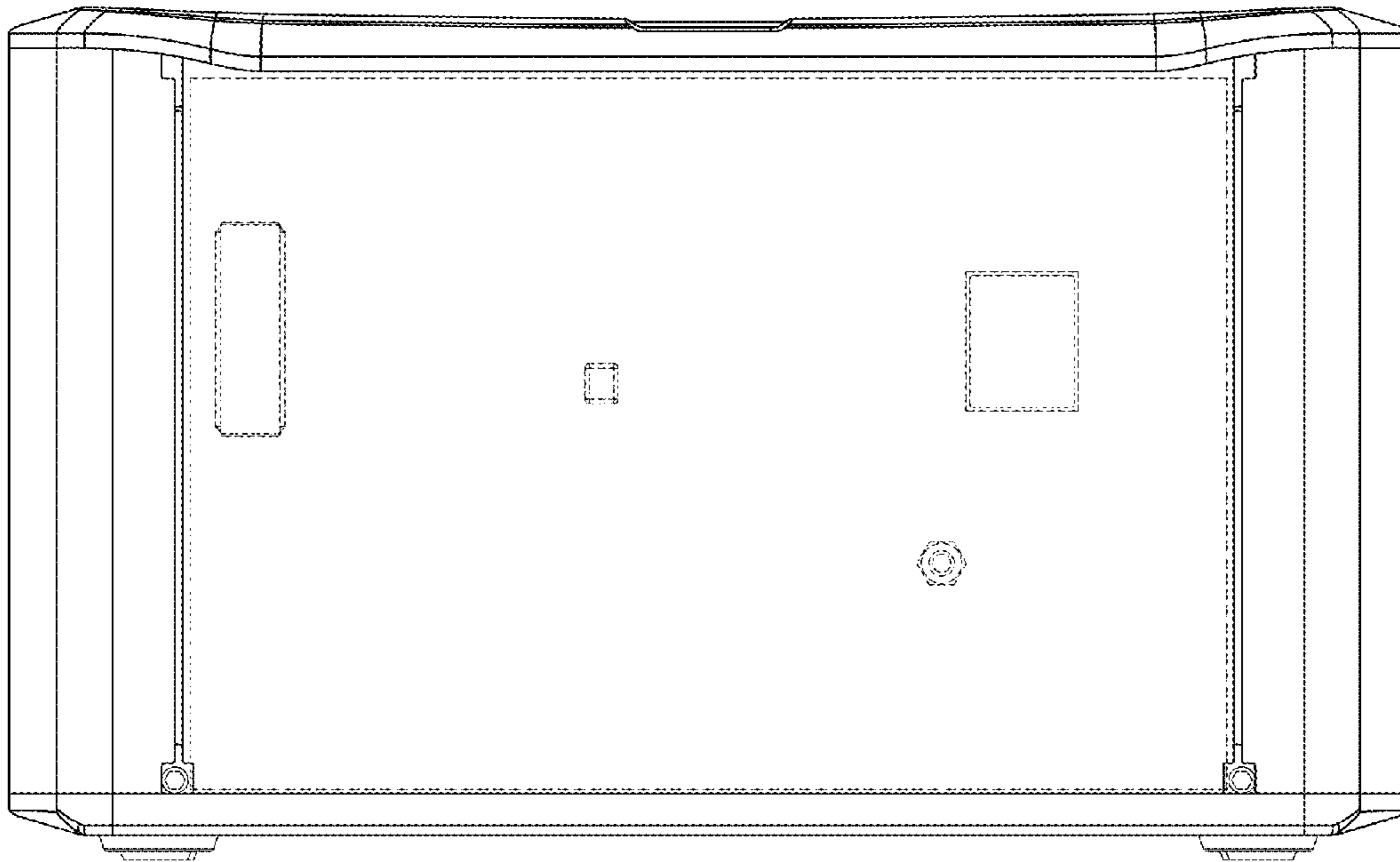


FIG. 6

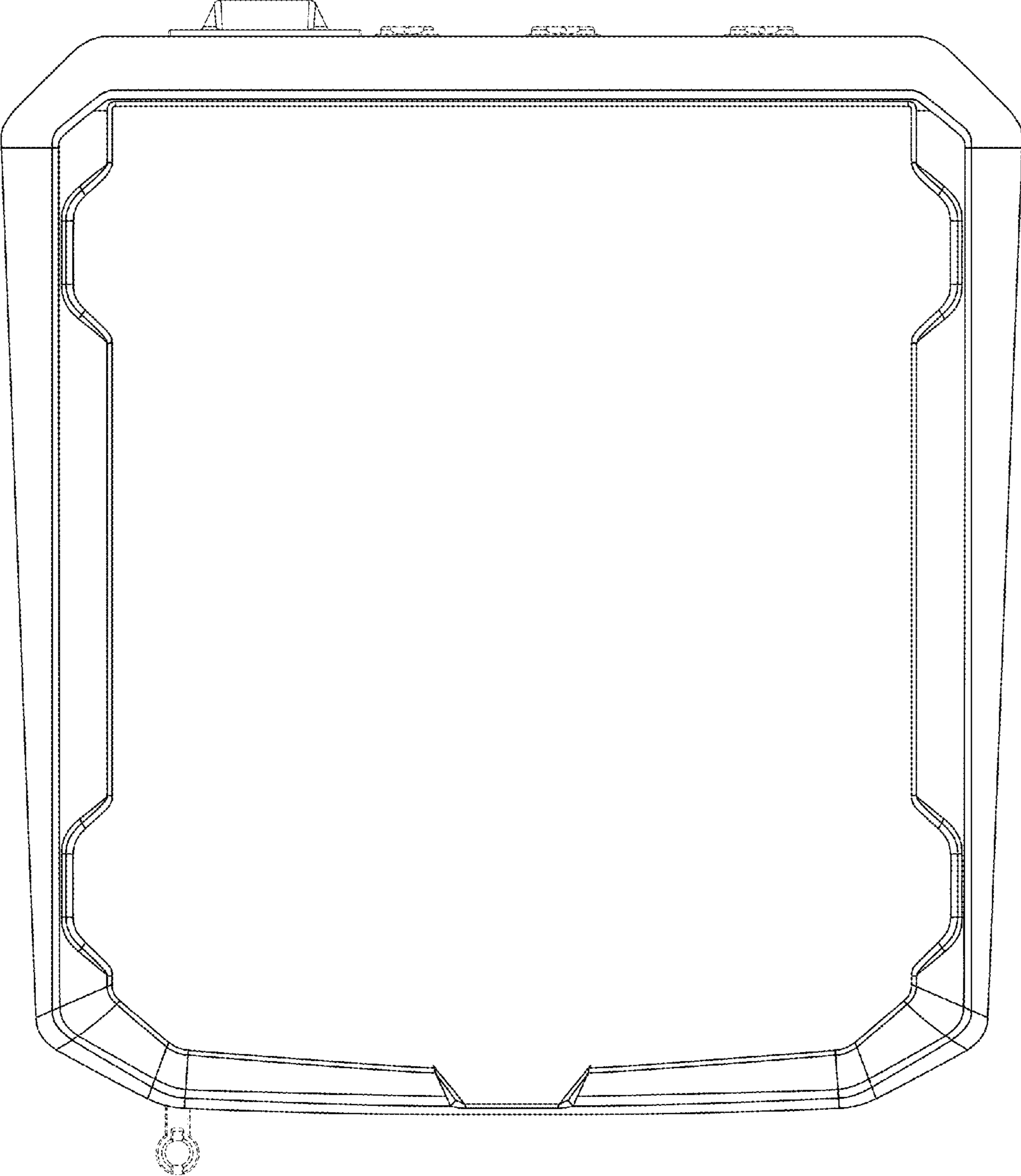


FIG. 7

