

US00D759247S

(12) **United States Design Patent**  
**Tapocik**

(10) **Patent No.:** **US D759,247 S**

(45) **Date of Patent:** **\*\* \*Jun. 14, 2016**

(54) **ARCUATE INTERPROXIMAL DENTAL TOOL WITH ARCUATE BLADE**

(71) Applicant: **Kerr Corporation**, Orange, CA (US)

(72) Inventor: **Bryan Tapocik**, Highland, CA (US)

(73) Assignee: **Kerr Corporation**, Orange, CA (US)

(\*) Notice: This patent is subject to a terminal disclaimer.

(\*\*) Term: **14 Years**

(21) Appl. No.: **29/503,749**

(22) Filed: **Sep. 29, 2014**

(51) **LOC (10) Cl.** ..... **24-02**

(52) **U.S. Cl.**  
USPC ..... **D24/152**

(58) **Field of Classification Search**  
USPC ..... D24/152, 147, 176; D8/90; 433/51, 433/125, 142, 166; 132/323, 329  
CPC ..... A61C 15/00; A61C 3/06; A61C 5/127; A61C 15/046; A61C 3/12  
See application file for complete search history.

(56) **References Cited**

**U.S. PATENT DOCUMENTS**

2,288,011 A \* 6/1942 Mizzy ..... 433/148  
4,483,676 A \* 11/1984 Thierman ..... 433/142

5,476,381 A \* 12/1995 Dragan ..... 433/142  
7,455,521 B2 \* 11/2008 Fishburne, Jr. .... 433/142  
D600,810 S \* 9/2009 Khouri ..... D24/152  
D609,341 S \* 2/2010 Khouri ..... D24/152  
D638,127 S \* 5/2011 Khouri ..... D24/152  
8,419,427 B2 \* 4/2013 Effenberger et al. .... 433/136  
2006/0127845 A1 \* 6/2006 Khouri ..... 433/142

\* cited by examiner

*Primary Examiner* — Wan Laymon

(74) *Attorney, Agent, or Firm* — Wood, Herron & Evans, LLP

(57) **CLAIM**

The ornamental design for an arcuate interproximal dental tool with arcuate blade, as shown and described.

**DESCRIPTION**

FIG. 1 is a top, front right side perspective view of the arcuate interproximal dental tool with arcuate blade, showing my new design;

FIG. 2 is a bottom, rear, left side perspective view thereof;

FIG. 3 is a front elevational view thereof;

FIG. 4 is a rear elevational view thereof;

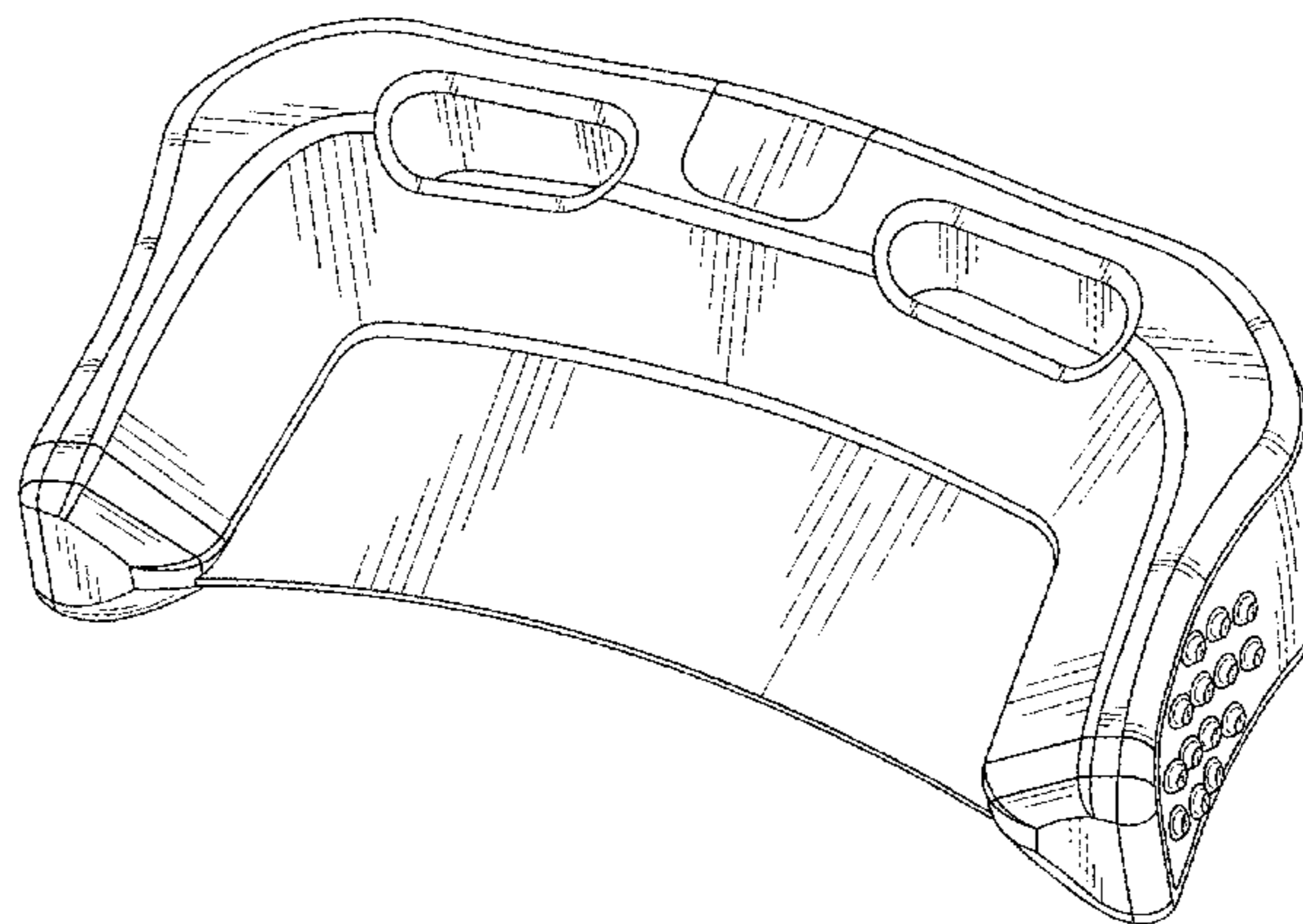
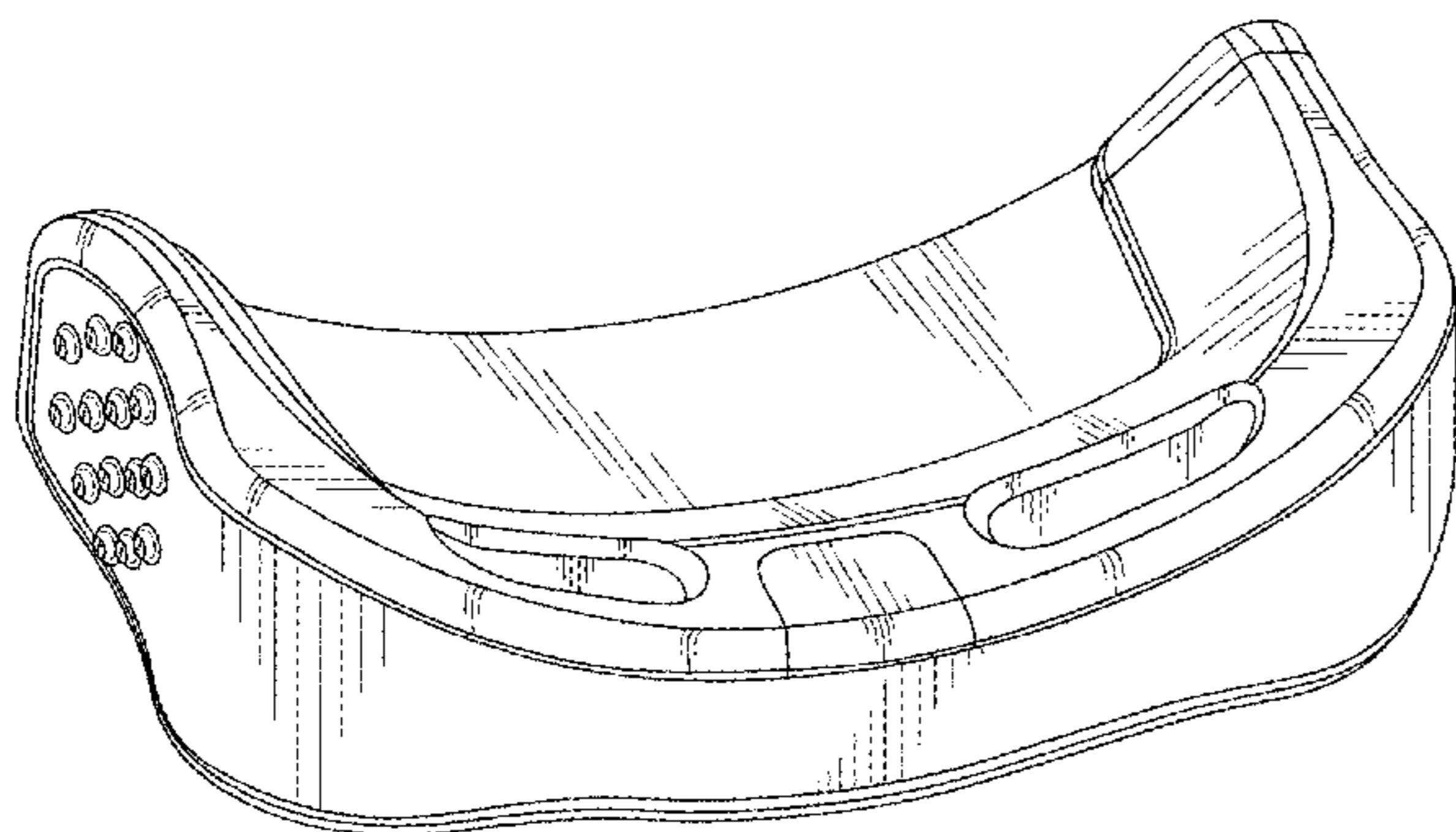
FIG. 5 is a top plan view thereof;

FIG. 6 is a bottom plan view thereof;

FIG. 7 is a left side elevational view thereof; and,

FIG. 8 is a right side elevational view thereof.

**1 Claim, 5 Drawing Sheets**



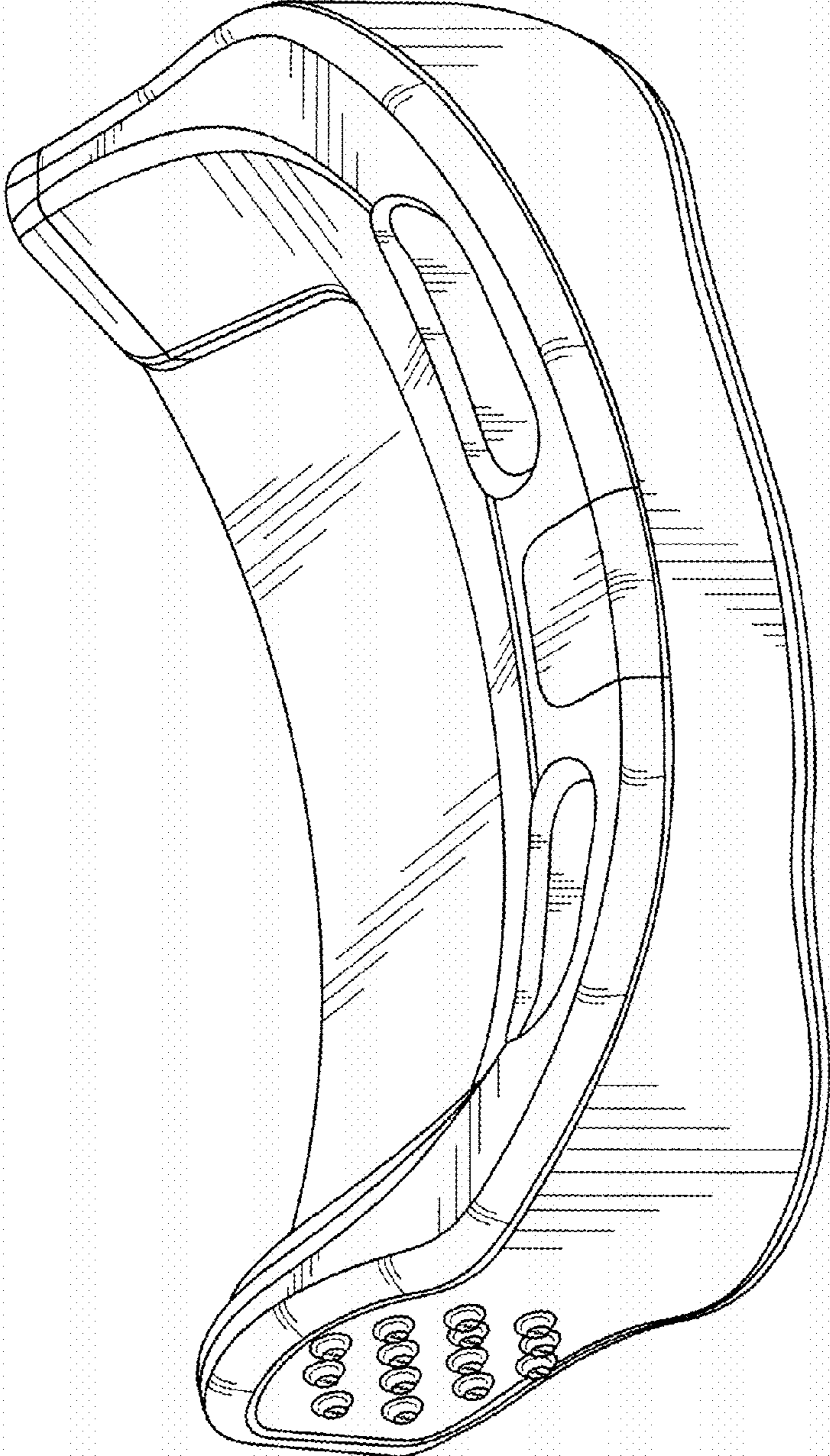


FIG. 1

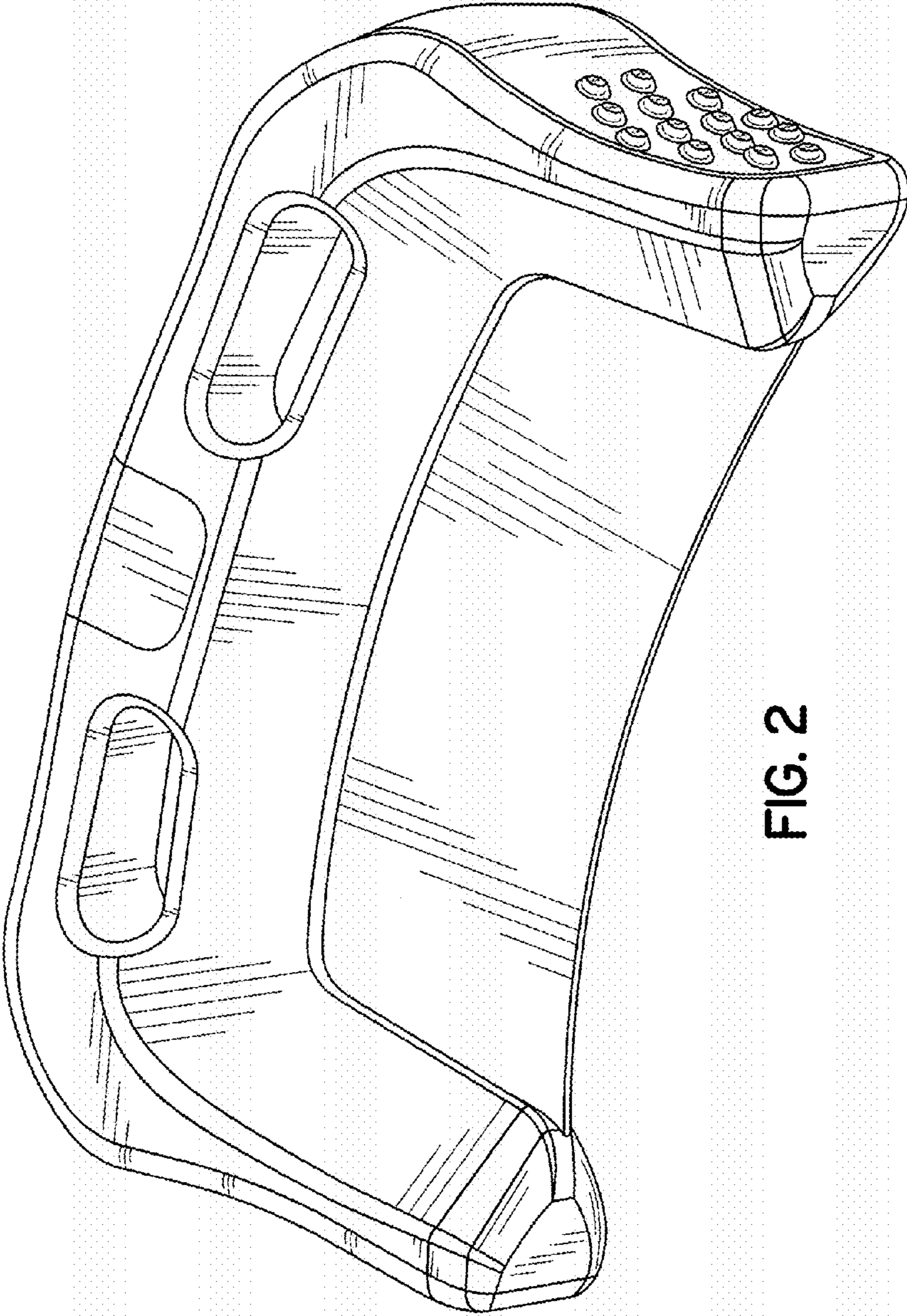


FIG. 2



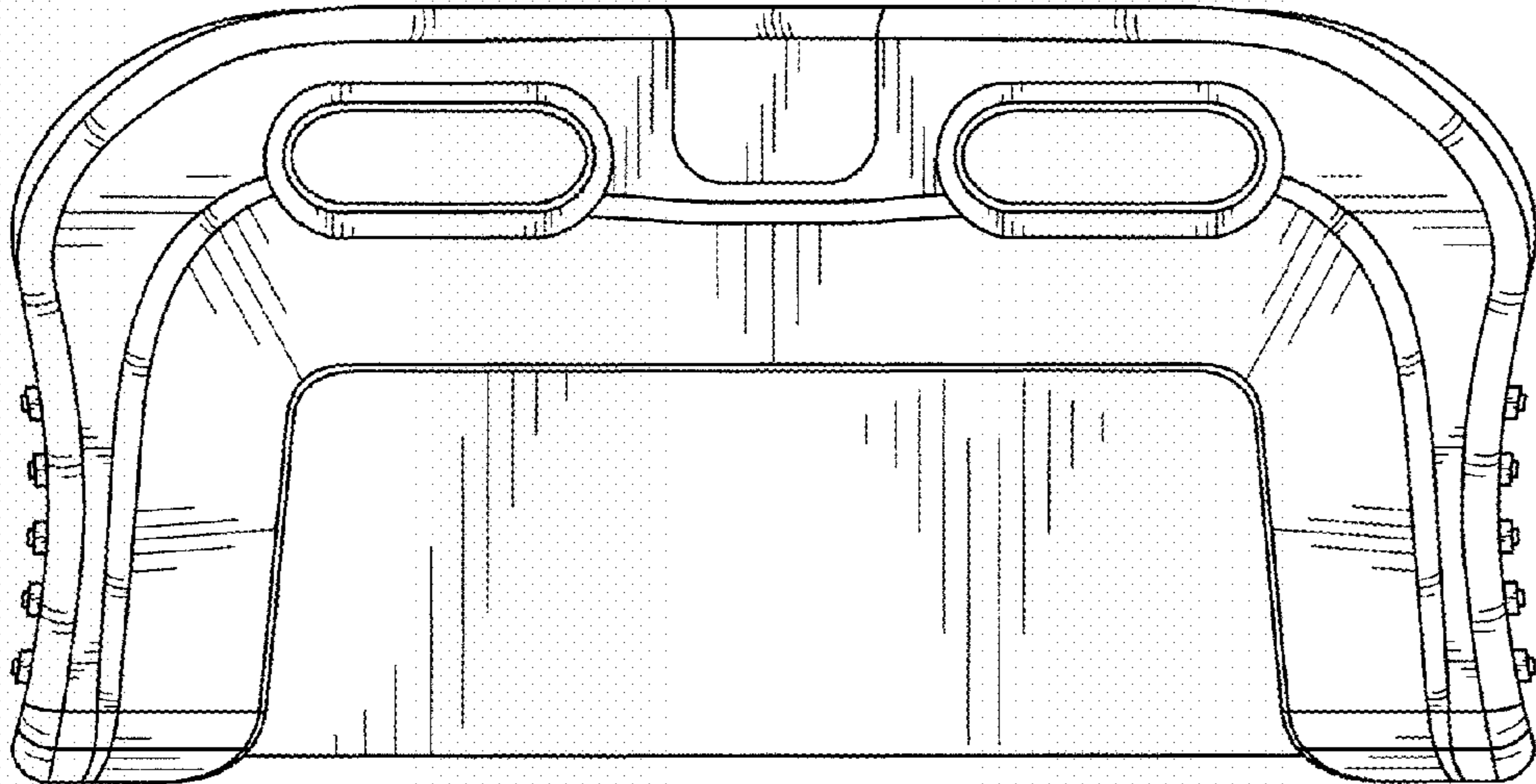


FIG. 3

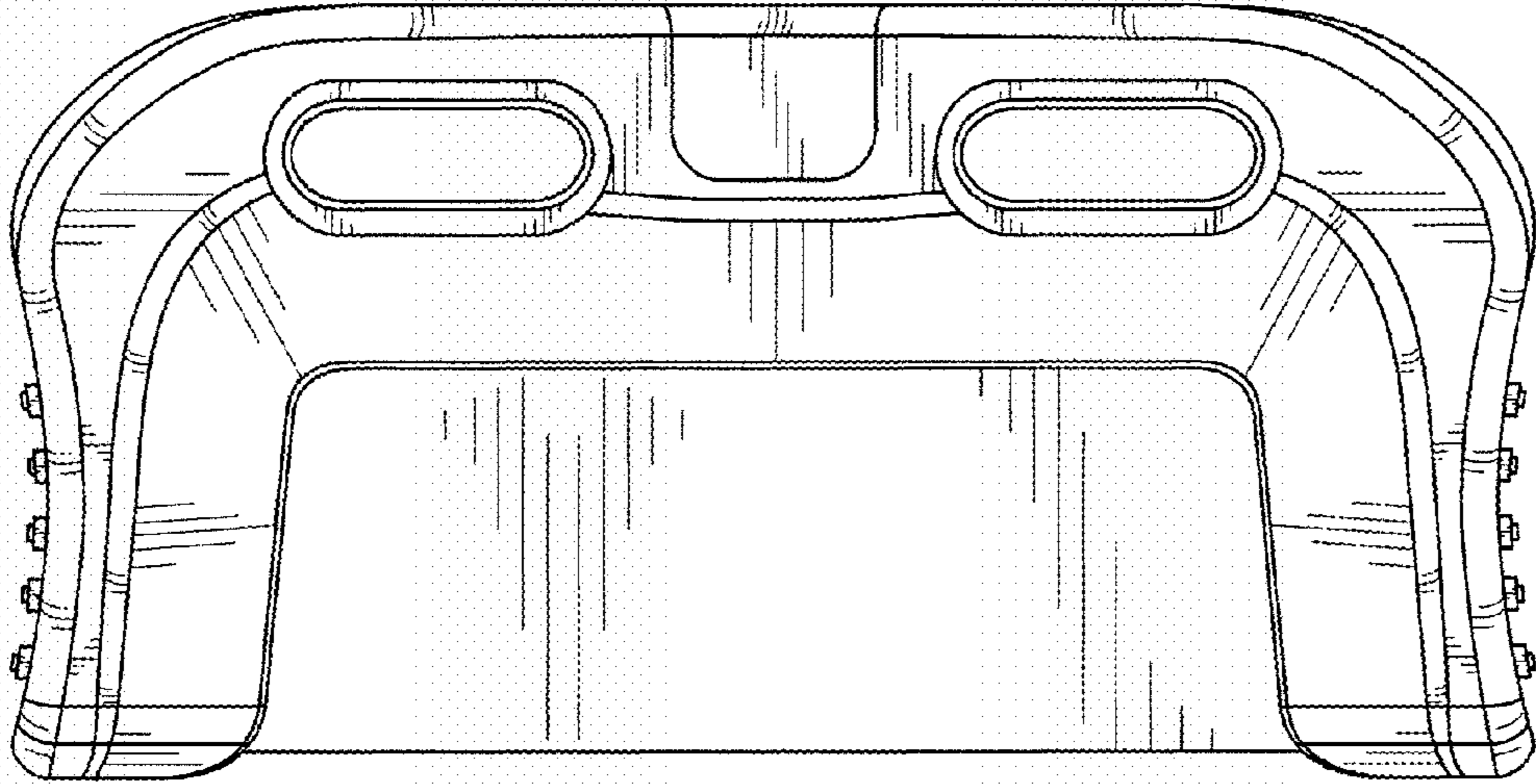


FIG. 4

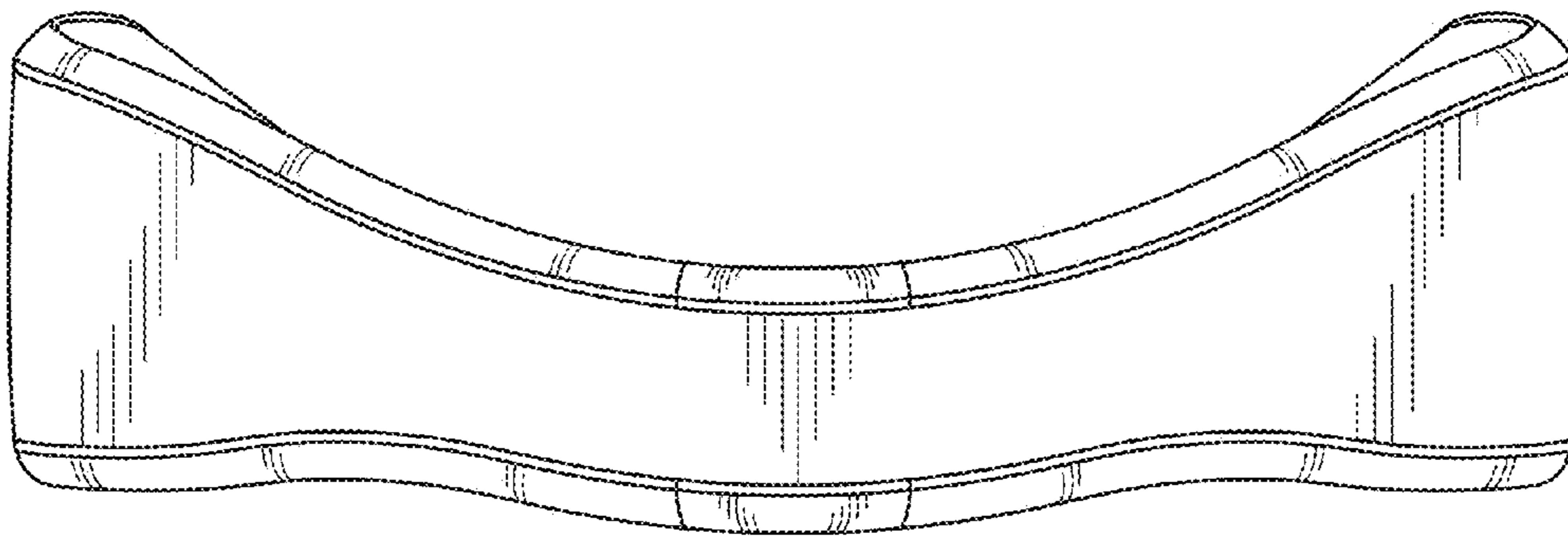


FIG. 5

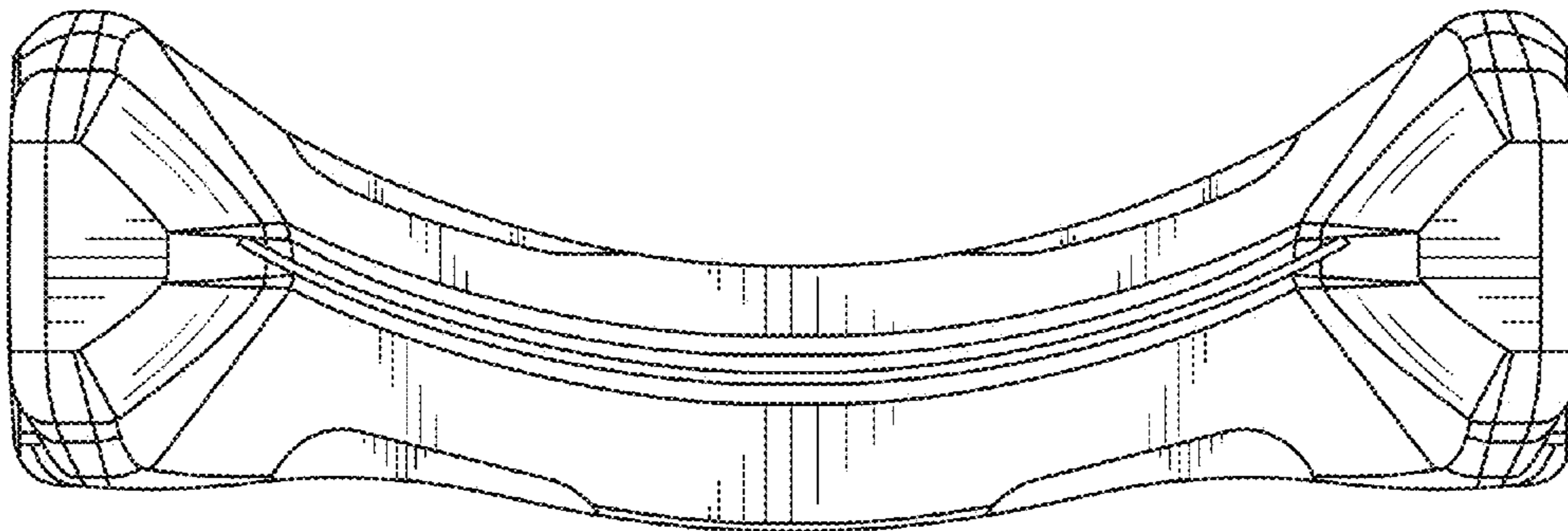


FIG. 6

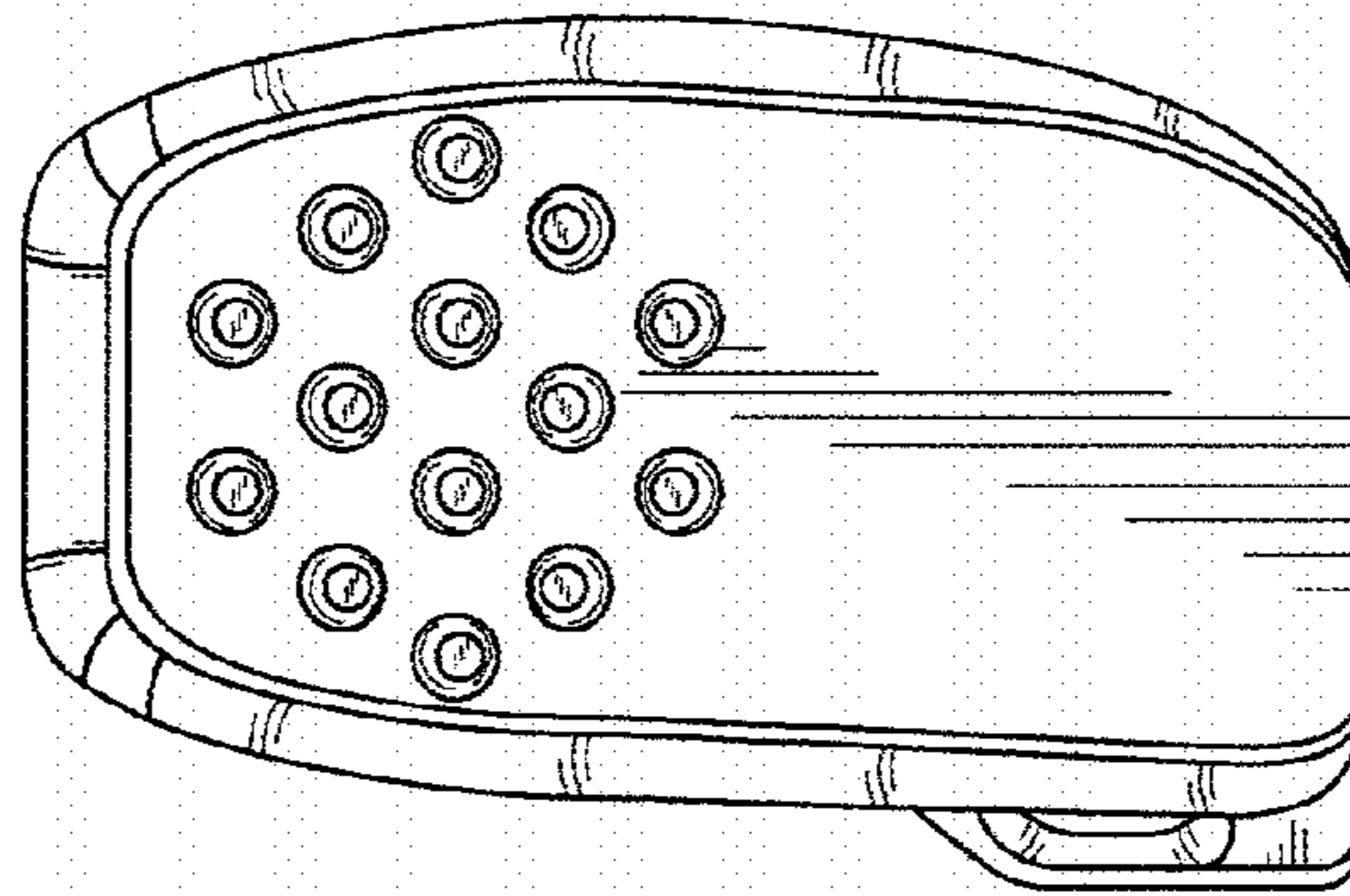


FIG. 7

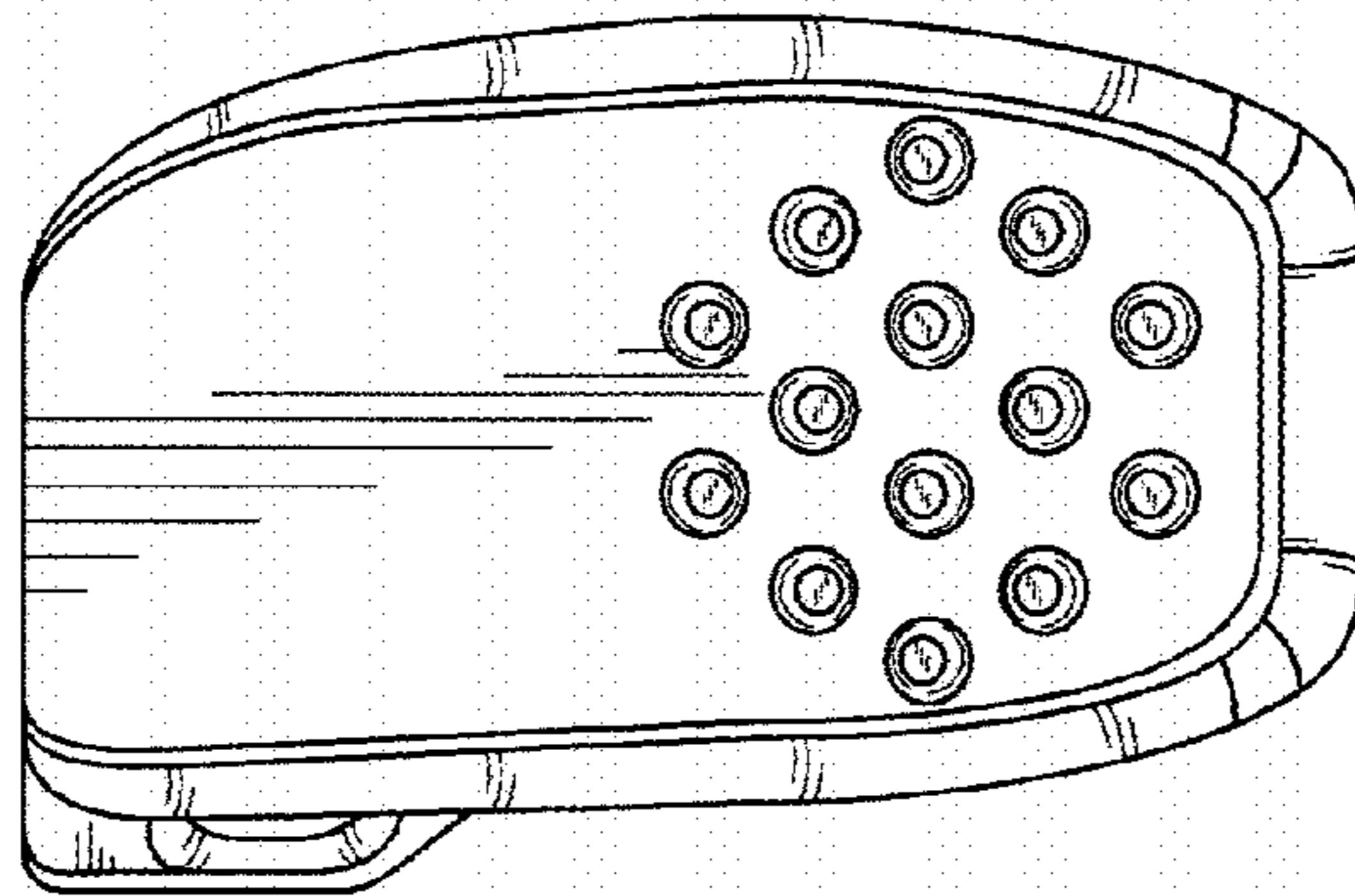


FIG. 8