

US00D759245S

(12) **United States Design Patent**
Leugers

(10) **Patent No.:** **US D759,245 S**

(45) **Date of Patent:** **** *Jun. 14, 2016**

(54) **DRILL ASSEMBLY**

(71) Applicant: **McGinley Engineered Solutions, LLC,**
Casper, WY (US)

(72) Inventor: **Martin Leugers,** San Francisco, CA
(US)

(73) Assignee: **McGinley Engineered Solutions, LLC,**
Casper, WY (US)

(*) Notice: This patent is subject to a terminal disclaimer.

(**) Term: **14 Years**

(21) Appl. No.: **29/472,822**

(22) Filed: **Nov. 15, 2013**

(51) **LOC (10) Cl.** **24-02**

(52) **U.S. Cl.**
USPC **D24/146**

(58) **Field of Classification Search**
USPC D24/146, 147, 145, 133; 606/178, 172,
606/170, 177, 176, 79-85, 104; D8/83, 68
CPC A61B 17/1671; A61B 17/154; A61B
17/155; A61B 17/157; A61B 17/158; A61B
17/16; A61B 17/1637; A61B 2017/1602;
A61F 2/4455

See application file for complete search history.

(56) **References Cited**

U.S. PATENT DOCUMENTS

D262,489 S * 12/1981 House, II D24/146
D331,464 S * 12/1992 Rosenberg et al. D24/147
5,361,504 A * 11/1994 Huang 33/371
D364,463 S * 11/1995 Pitzen et al. D24/146
D382,056 S * 8/1997 Kammerer D24/140

D404,484 S * 1/1999 Lahr et al. D24/133
5,993,454 A * 11/1999 Longo 606/80
D439,334 S * 3/2001 Hershberger et al. D24/133
D466,213 S * 11/2002 Snitkin et al. D24/145
6,665,948 B1 * 12/2003 Kozin et al. 33/833
D536,785 S * 2/2007 Bacher et al. D24/133
D580,549 S * 11/2008 Schwartz et al. D24/133
7,491,203 B2 * 2/2009 Harris et al. 606/80
D603,501 S * 11/2009 Mudd et al. D24/113
D608,176 S * 1/2010 Heidelberg D8/68
D679,395 S * 4/2013 Wright et al. D24/140
8,821,493 B2 * 9/2014 Anderson 606/80
2011/0301611 A1 * 12/2011 Garcia et al. 606/80
2015/0066038 A1 * 3/2015 McGinley et al. 606/80

* cited by examiner

Primary Examiner — Ian Simmons

Assistant Examiner — Carissa C Fitts

(74) *Attorney, Agent, or Firm* — Marsh Fischmann & Breyfogle LLP

(57) **CLAIM**

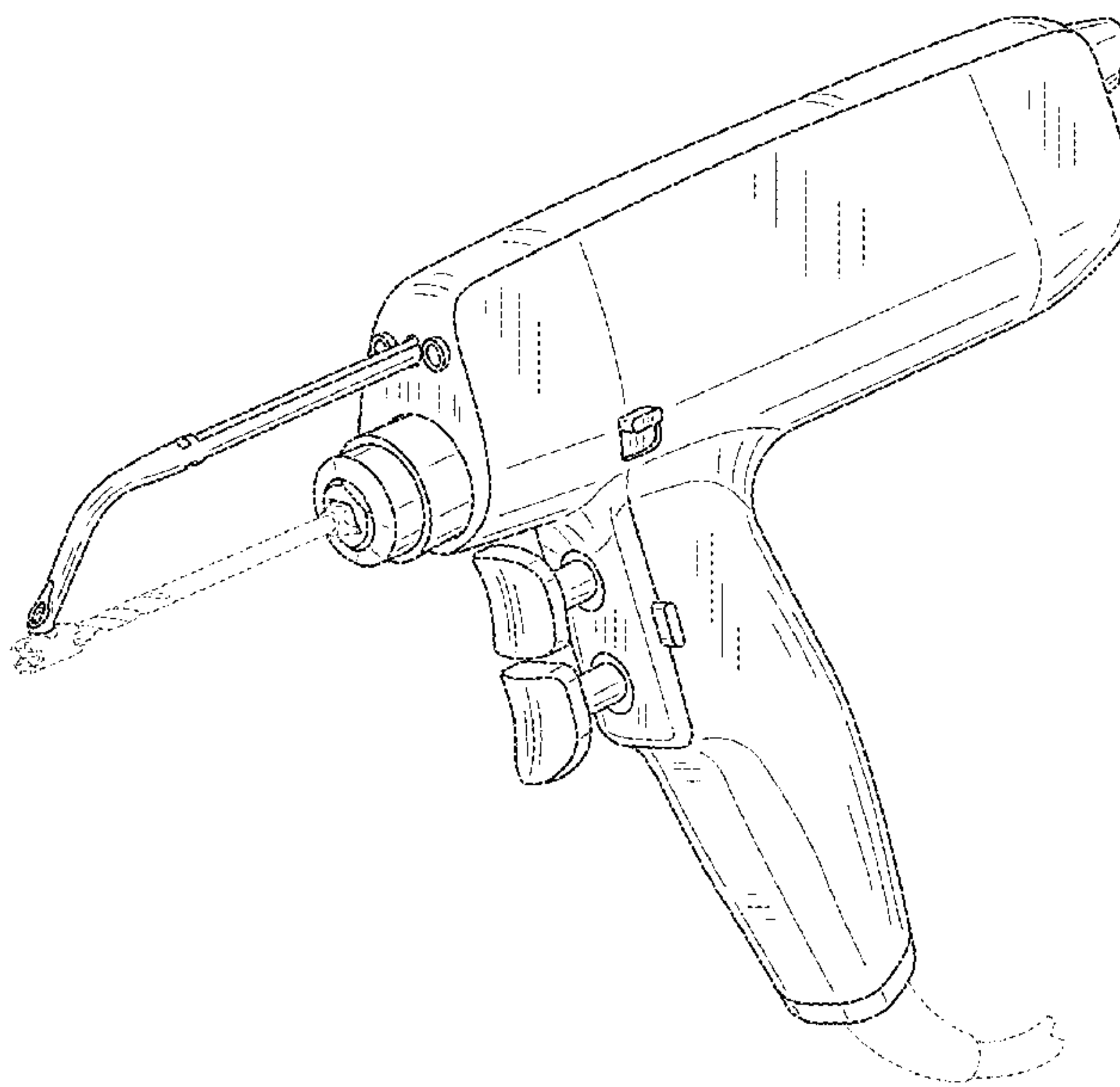
The ornamental design for a drill assembly, as shown and described.

DESCRIPTION

FIG. 1 is a front perspective view of a drill assembly; FIG. 2 is a rear perspective view of the drill assembly of FIG. 1; FIG. 3 is a front view of the drill assembly of FIG. 1; FIG. 4 is a rear view of the drill assembly of FIG. 1; FIG. 5 is a left side view of the drill assembly of FIG. 1; FIG. 6 is a right side view of the drill assembly of FIG. 1; FIG. 7 is a top view of the drill assembly of FIG. 1; and, FIG. 8 is a bottom view of the drill assembly of FIG. 1.

The broken line showing of the cord and drill bit represents portions of the article not claimed and forms no part of the claimed design.

1 Claim, 6 Drawing Sheets



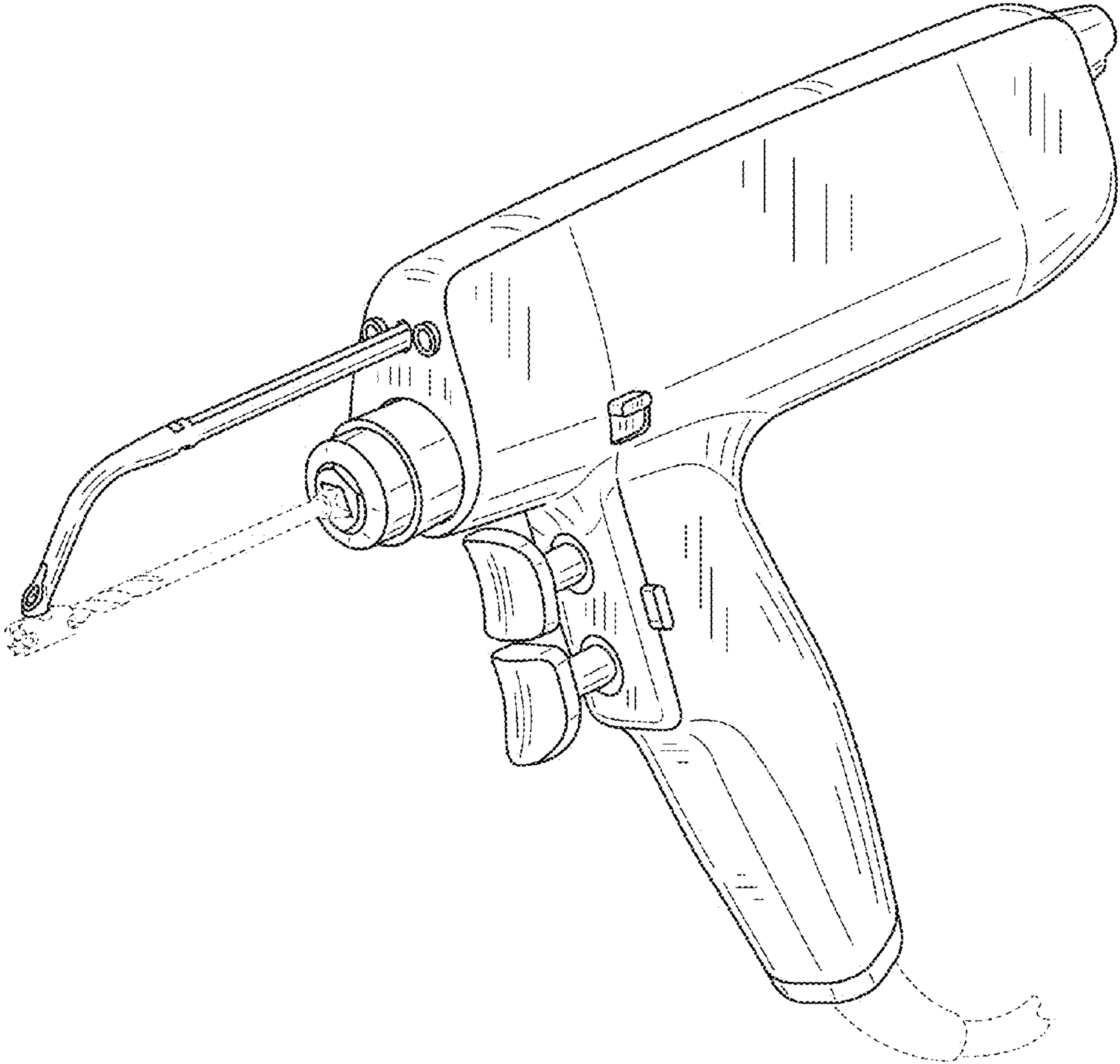


FIG.1

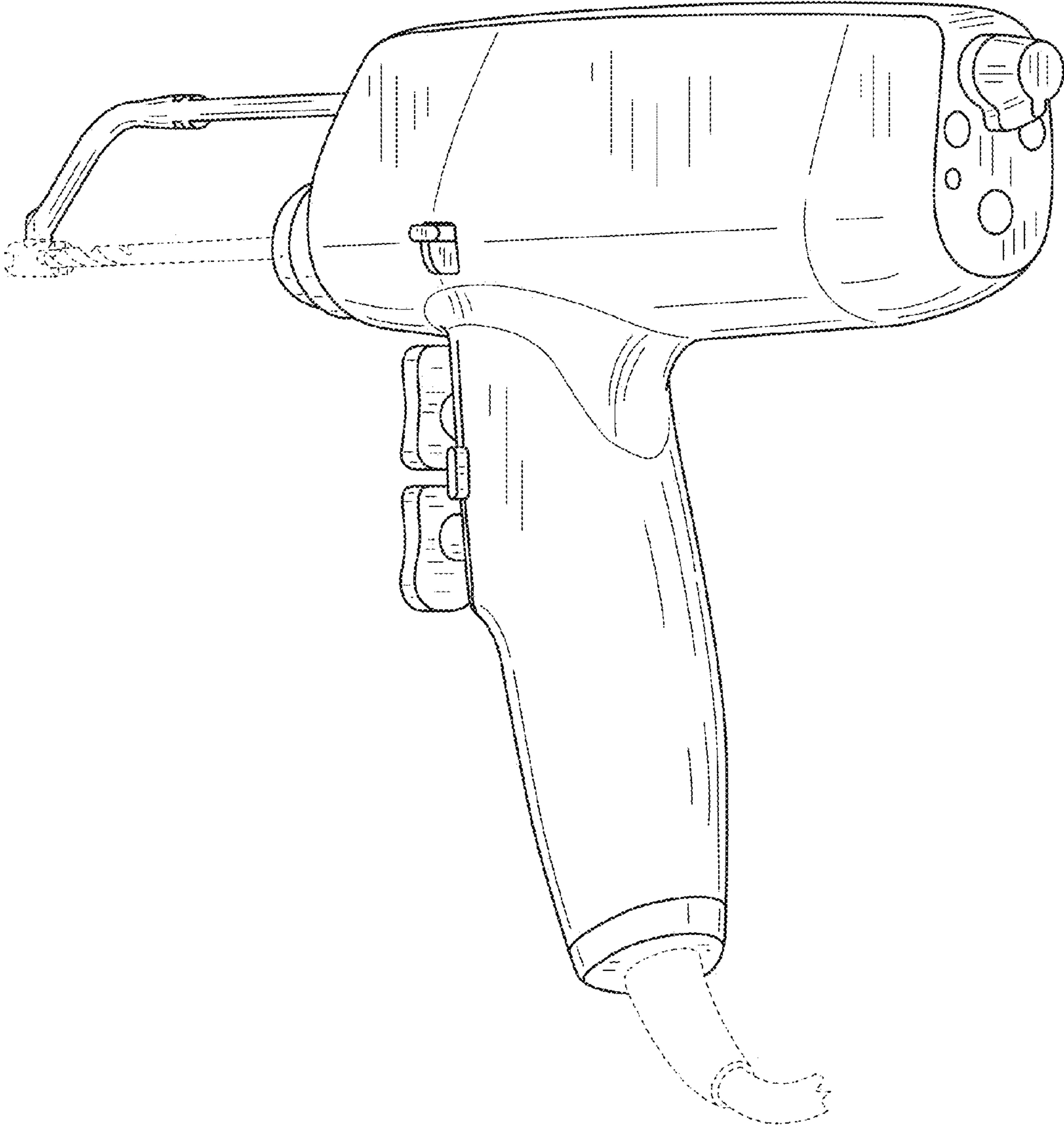


FIG.2

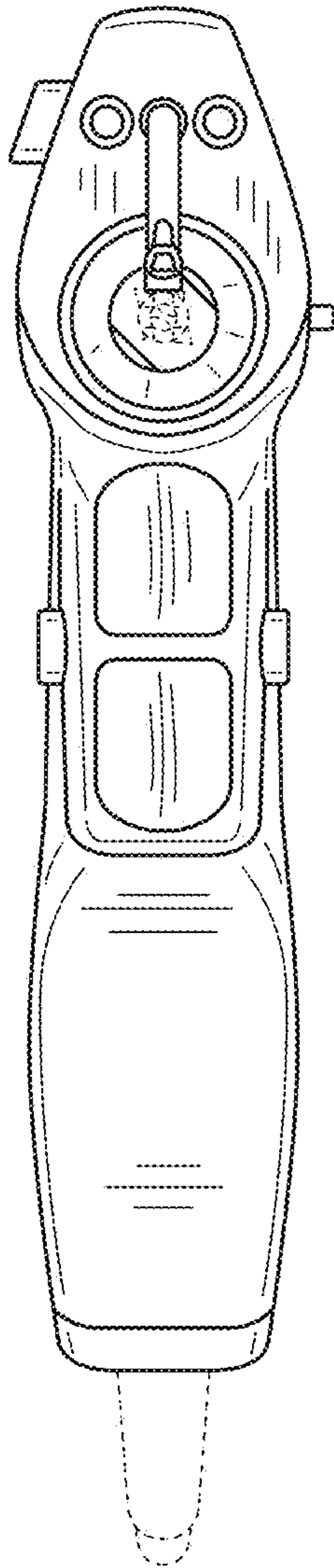


FIG. 3

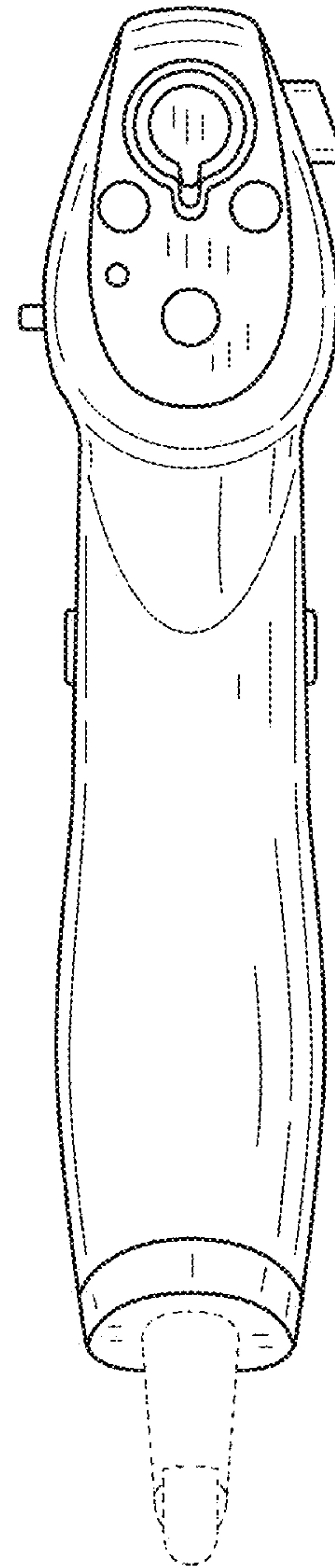


FIG. 4

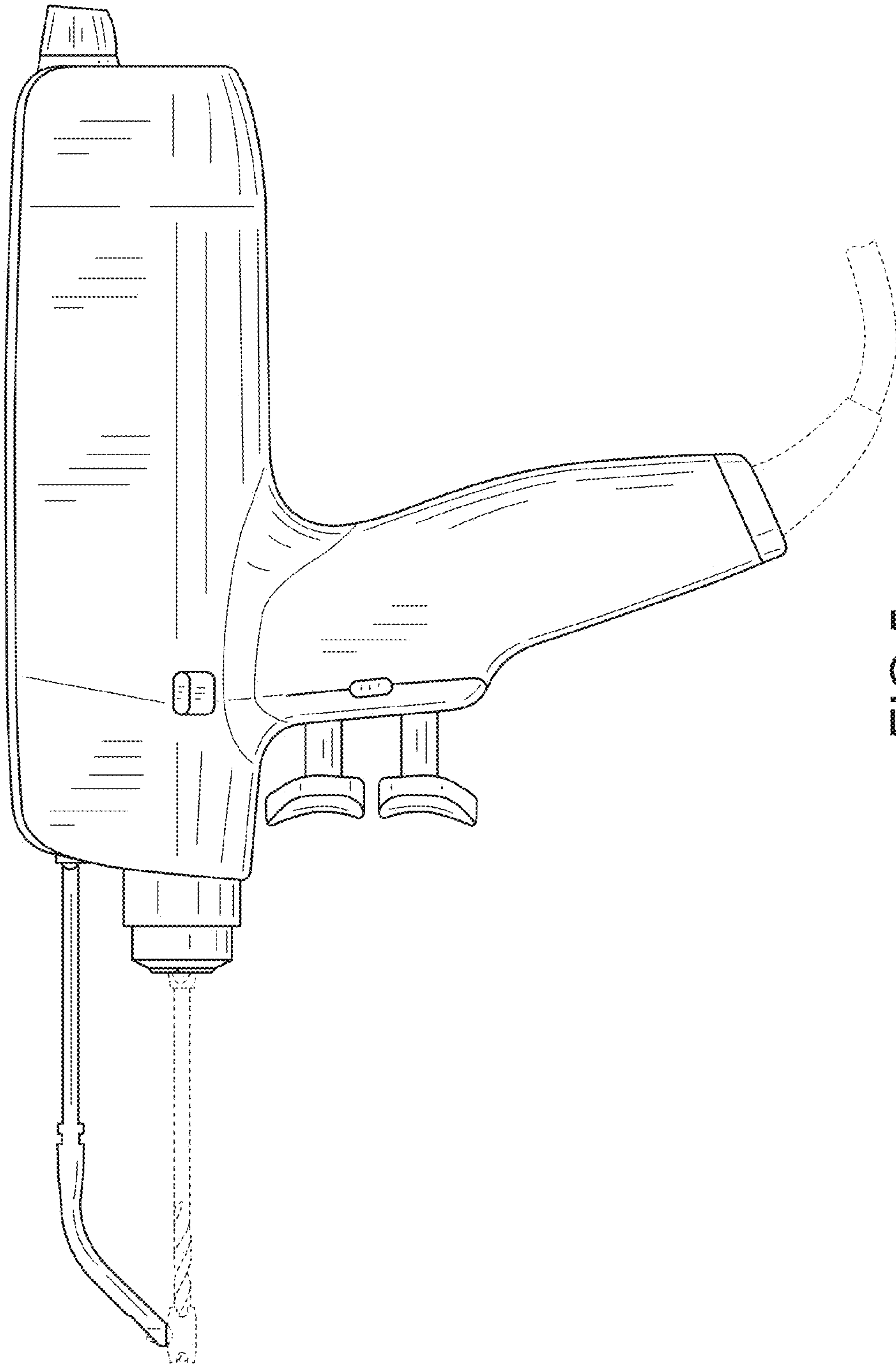


FIG. 5

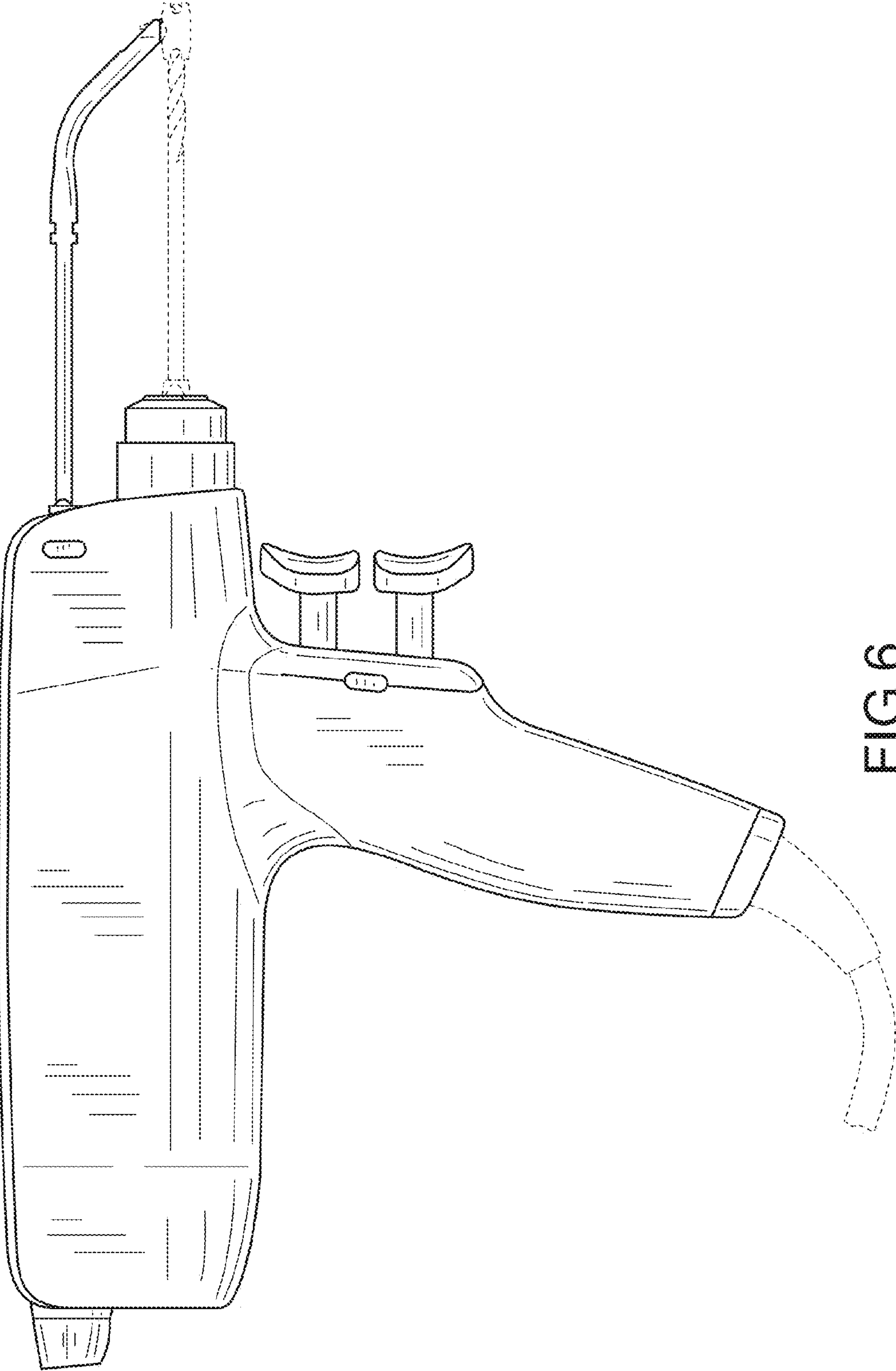


FIG.6

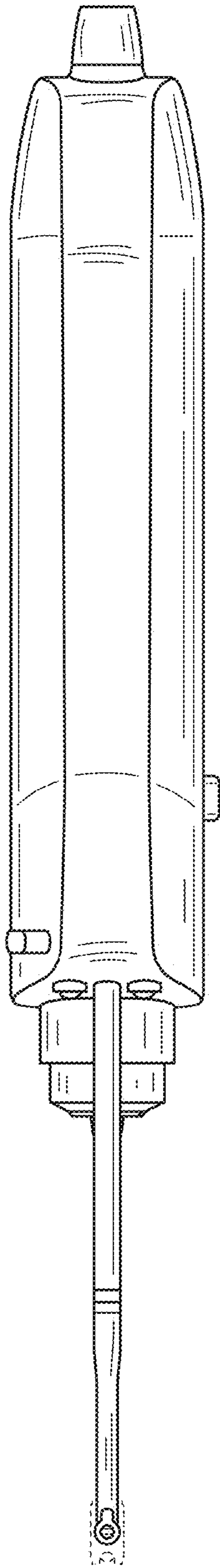


FIG. 7

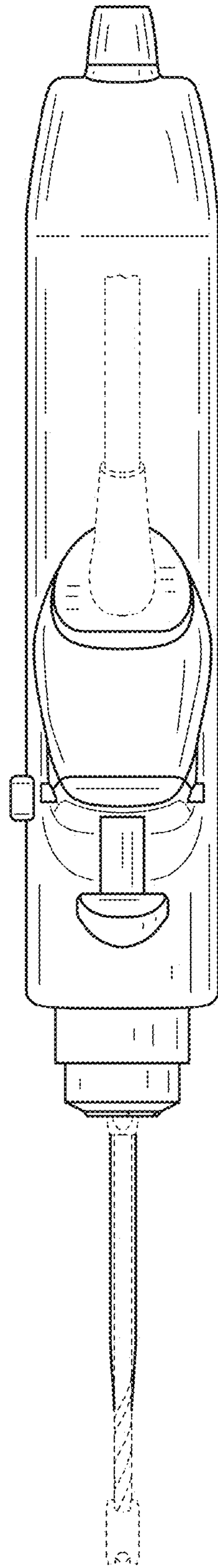


FIG. 8