



US00D759237S

(12) **United States Design Patent**
Heath et al.

(10) **Patent No.:** **US D759,237 S**
(45) **Date of Patent:** **** Jun. 14, 2016**

(54) **TOOL FOR IMPLANTING TONGUE STABILIZATION**

(71) Applicant: **KONINKLIJKE PHILIPS N.V.**,
Eindhoven (NL)
(72) Inventors: **Stephen Heath**, Andover, MA (US);
Aaron Piazza, Bothell, MA (US); **Scott Janis**,
San Francisco, CA (US); **Marcelle Nadine Yvette Van Beusekom**,
San Francisco, CA (US)
(73) Assignee: **KONINKLIJKE PHILIPS N.V.**,
Eindhoven (NL)

(**) Term: **14 Years**

(21) Appl. No.: **29/521,703**

(22) Filed: **Mar. 26, 2015**

(30) **Foreign Application Priority Data**

Sep. 27, 2014 (EM) 002546598-0001

(51) **LOC (10) Cl.** **24-02**

(52) **U.S. Cl.**
USPC **D24/133**

(58) **Field of Classification Search**
USPC D24/133, 143, 145-147, 140; 128/848;
606/106, 108
CPC A61B 17/50; A61F 2/95; A61F 5/56;
A61F 5/566
See application file for complete search history.

(56) **References Cited**

U.S. PATENT DOCUMENTS

D327,323	S *	6/1992	Hunt	D24/145
6,899,105	B2 *	5/2005	Krueger	A61B 17/24 128/848
6,955,172	B2 *	10/2005	Nelson	A61F 5/566 128/848
7,073,505	B2 *	7/2006	Nelson	A61F 5/566 128/200.24
7,367,340	B2 *	5/2008	Nelson	A61F 5/566 128/848
8,256,425	B2 *	9/2012	Bagley	A61F 5/566 128/846
D706,928	S *	6/2014	Harrison	D24/133

* cited by examiner

Primary Examiner — Wan Laymon

(74) *Attorney, Agent, or Firm* — Michael W. Haas

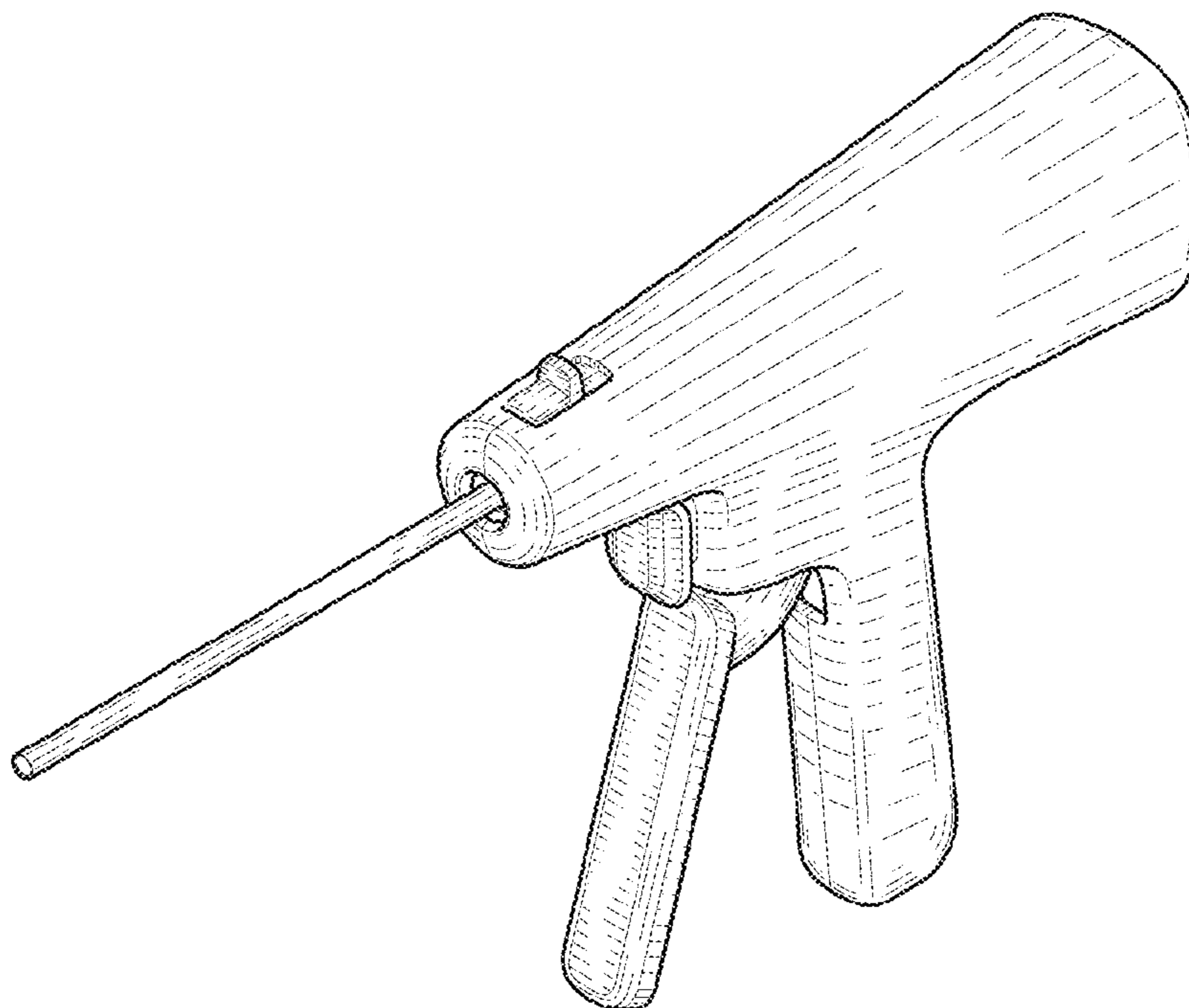
(57) **CLAIM**

The ornamental design for a tool for implanting tongue stabilization, as shown.

DESCRIPTION

FIG. 1 is a perspective view showing my design;
FIG. 2 is a front elevational view thereof;
FIG. 3 is a rear elevational view thereof;
FIG. 4 is a right side elevational view thereof;
FIG. 5 is a left side elevational view thereof;
FIG. 6 is a top plan view thereof; and,
FIG. 7 is a bottom plan view thereof.

1 Claim, 4 Drawing Sheets



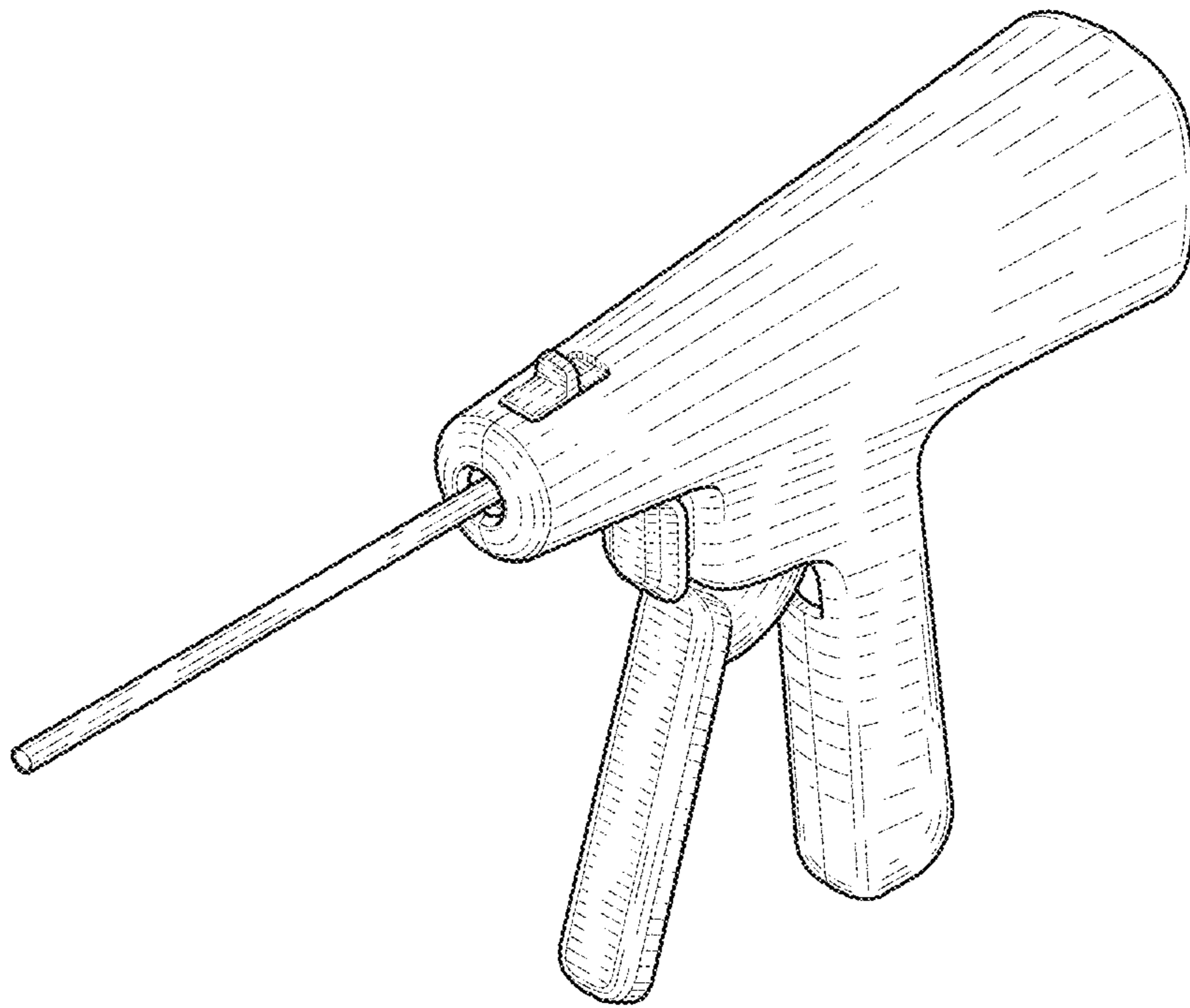


FIG. 1

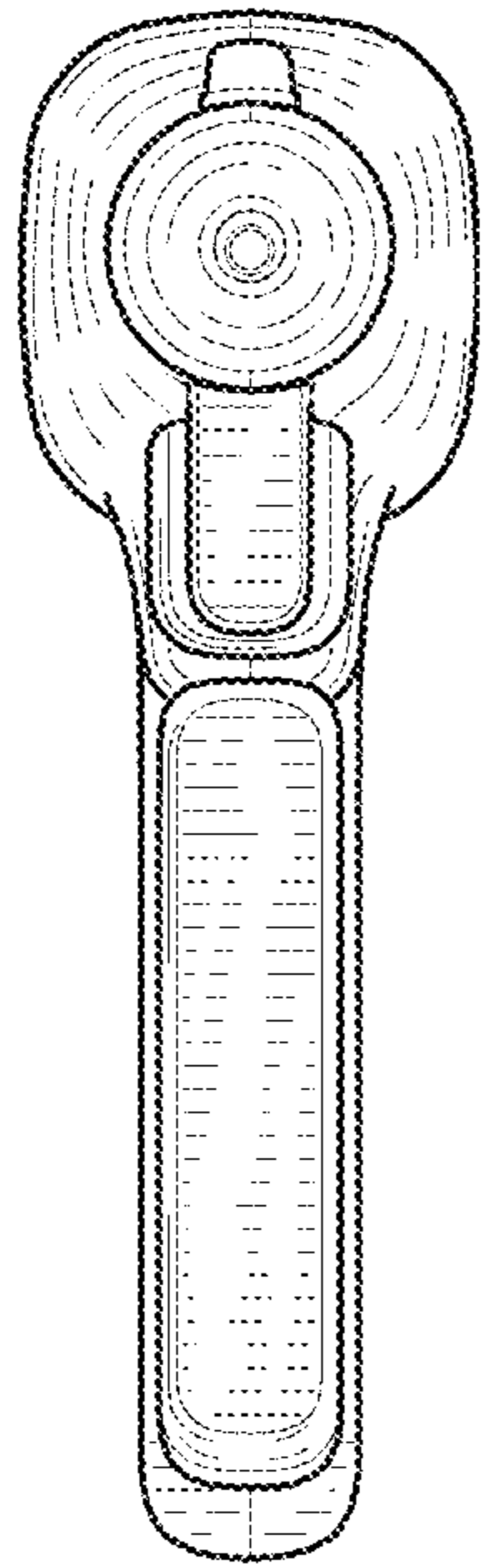


FIG. 2

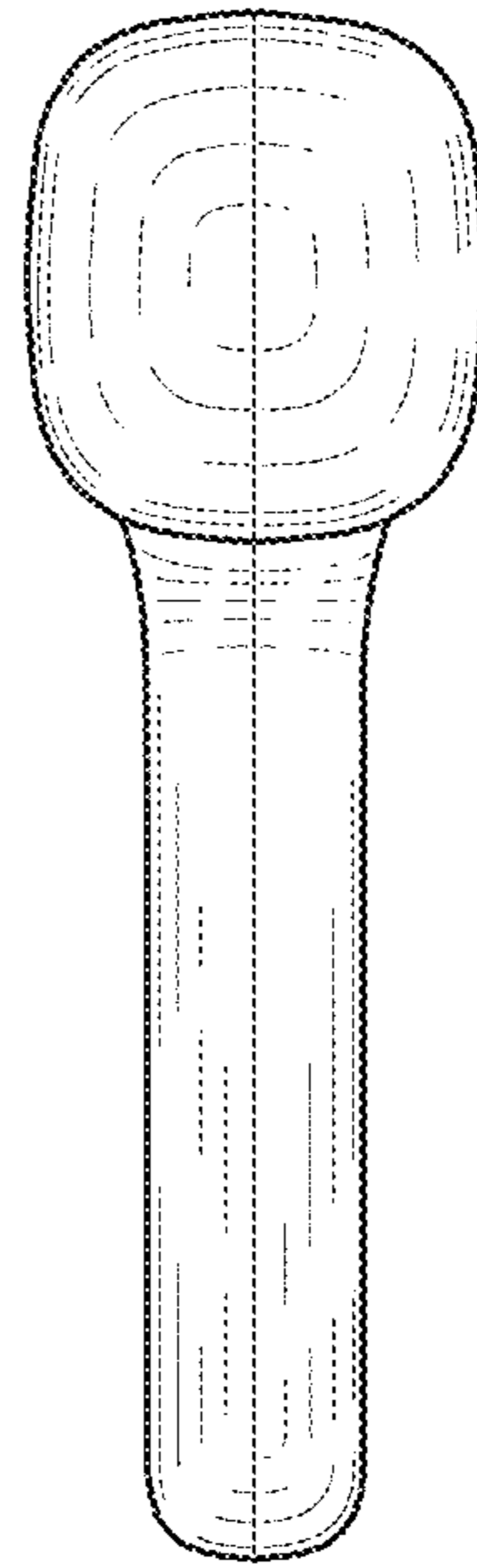


FIG. 3

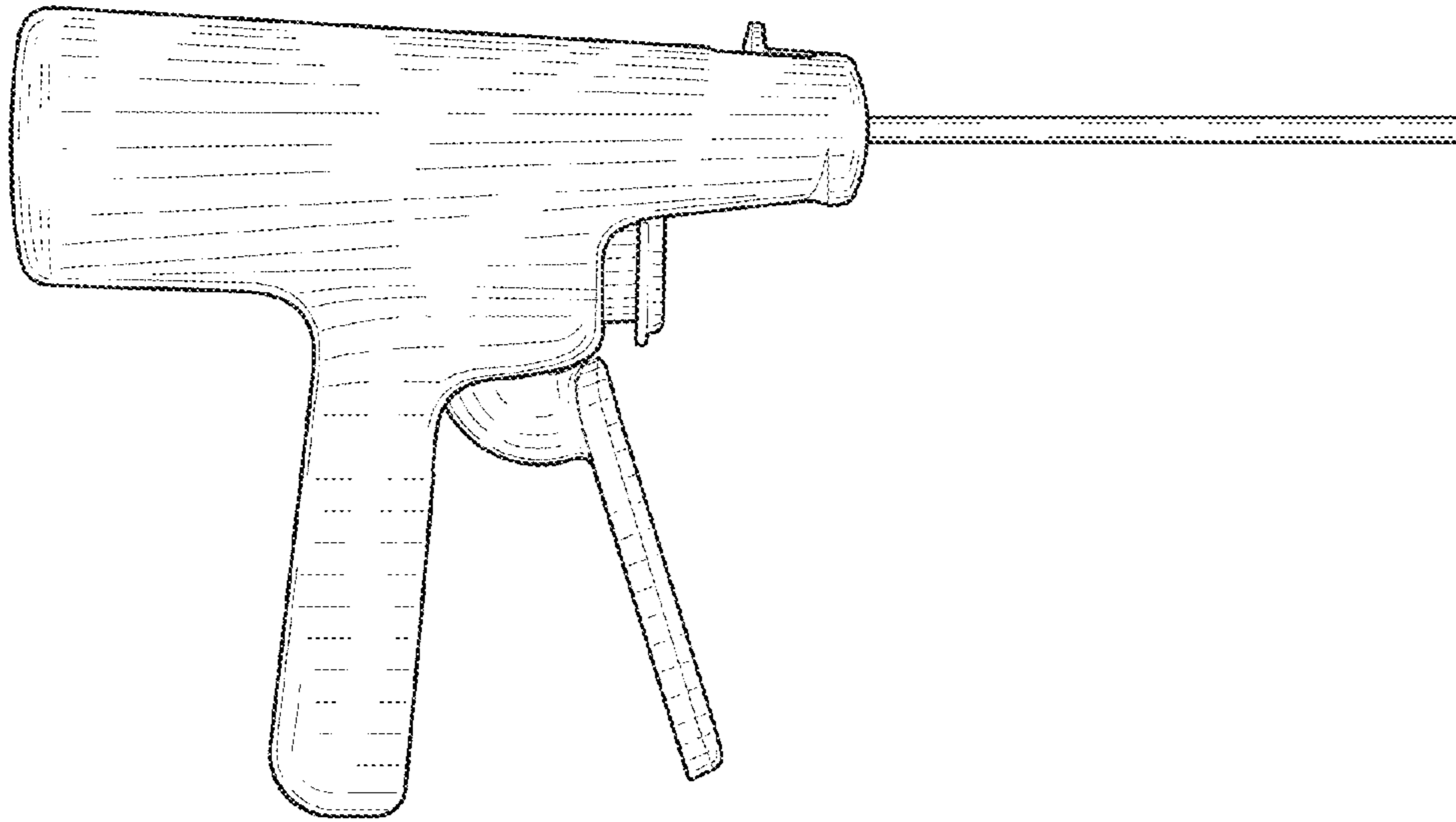


FIG. 4

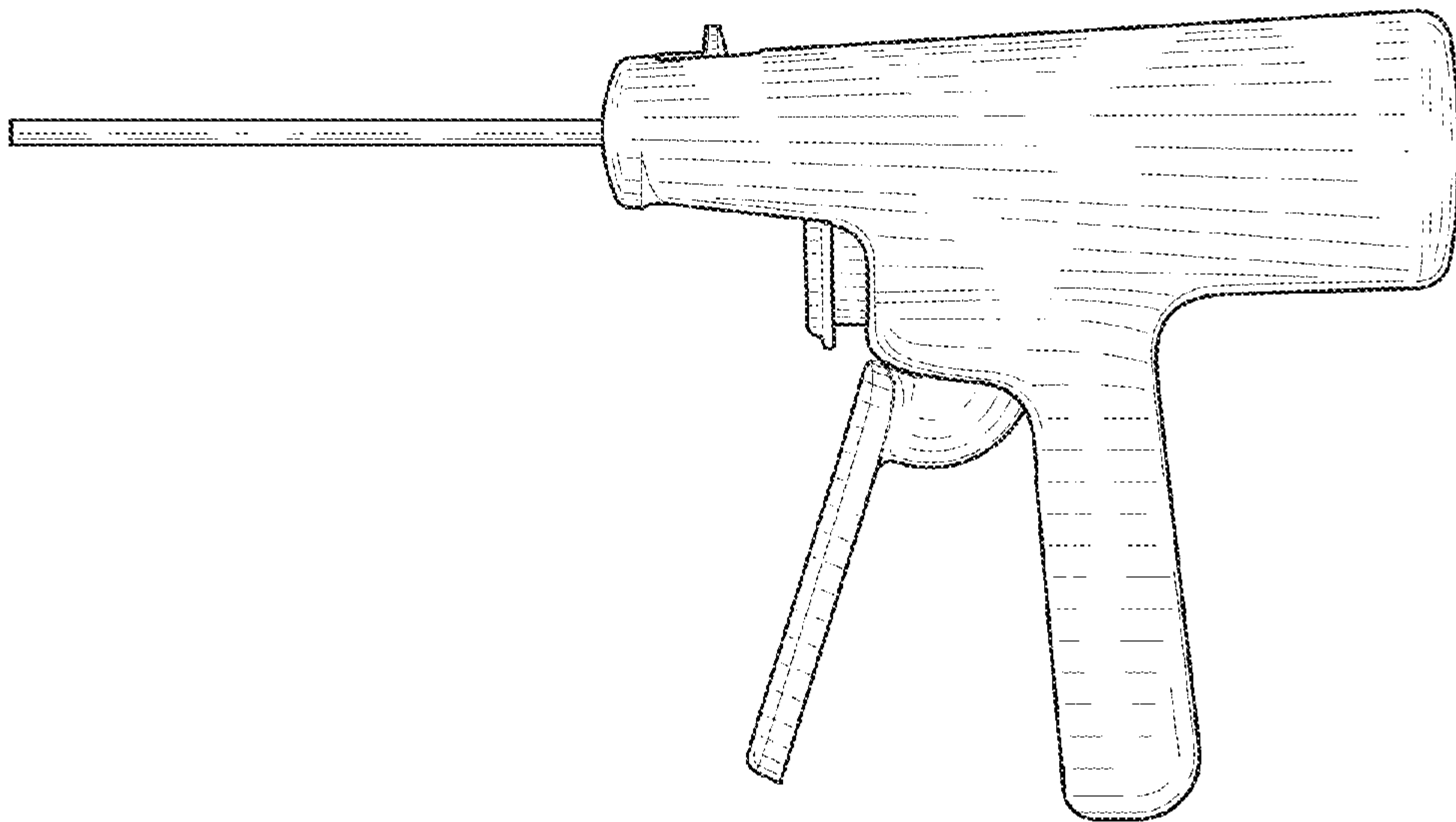


FIG. 5

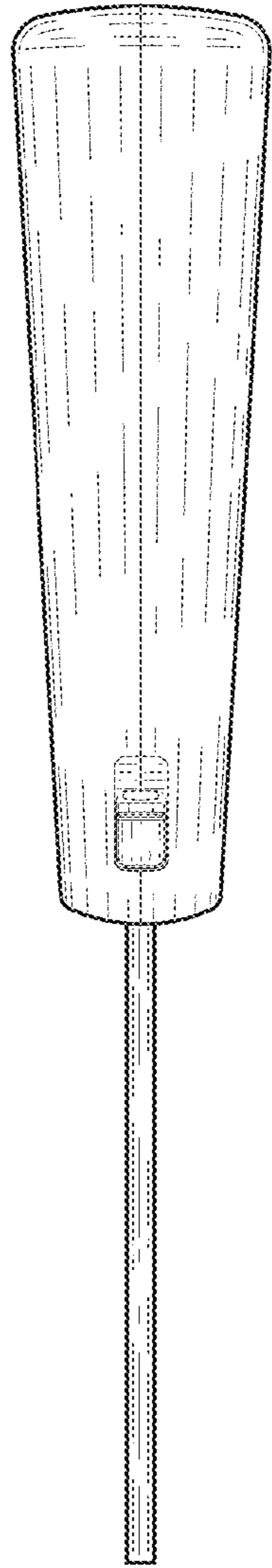


FIG. 6

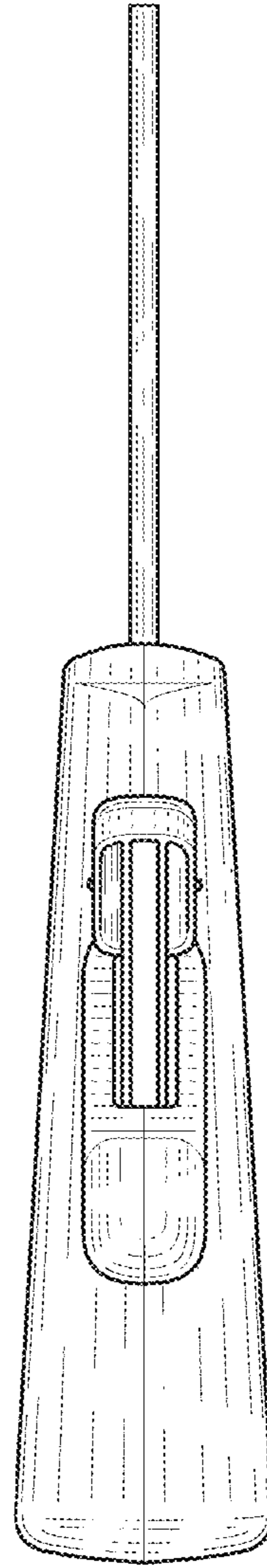


FIG. 7