



US00D759234S

(12) **United States Design Patent**
Bertinetti et al.

(10) **Patent No.:** **US D759,234 S**
(45) **Date of Patent:** **** Jun. 14, 2016**

(54) **CONTROL PANEL FOR POSITIVE AIRWAY PRESSURE DELIVERY DEVICE**

(71) Applicant: **ResMed Limited**, Bella Vista, New South Wales (AU)

(72) Inventors: **Mark Bertinetti**, Sydney (AU); **Phoebe Katherine Hill**, Sydney (AU); **Perry David Lithgow**, Sydney (AU); **Rohan Neil Primrose**, Sydney (AU); **Henri Spaile**, Sydney (AU)

(73) Assignee: **ResMed Limited**, Bela Vista, New South Wales

(**) Term: **14 Years**

(21) Appl. No.: **29/490,558**

(22) Filed: **May 12, 2014**

Related U.S. Application Data

(60) Continuation of application No. 29/417,215, filed on Mar. 30, 2012, now Pat. No. Des. 708,316, which is a division of application No. 29/309,086, filed on Jun. 19, 2008, now Pat. No. Des. 659,235.

(51) **LOC (10) Cl.** **24-02**

(52) **U.S. Cl.**
USPC **D24/127**

(58) **Field of Classification Search**
USPC D24/110, 164, 127
CPC A61M 16/00; A61M 16/0003; A61M 16/0057; A61M 16/0066; A61M 16/1045; A61M 16/16; A61M 16/161; A61M 16/109
See application file for complete search history.

(56) **References Cited**

U.S. PATENT DOCUMENTS

D421,298 S 2/2000 Kenyon et al.
D427,675 S 7/2000 Hansel

D467,335 S 12/2002 Lithgow et al.
D476,077 S 6/2003 Lithgow et al.
D477,868 S 7/2003 Lithgow et al.
D487,311 S 3/2004 Lithgow et al.
D493,520 S 7/2004 Bertinetti et al.
D493,884 S 8/2004 Virr et al.
D497,203 S 10/2004 Lithgow et al.
D503,796 S 4/2005 Lithgow et al.
D544,598 S 6/2007 Lithgow et al.
D560,795 S 1/2008 Lithgow et al.
D570,473 S 6/2008 Hamaguchi et al.

(Continued)

FOREIGN PATENT DOCUMENTS

WO WO 2007/045017 4/2007

OTHER PUBLICATIONS

Parent; U.S. Appl. No. 29/417,215, filed Mar. 30, 2012, Bertinetti et al.

(Continued)

Primary Examiner — Wan Laymon

(74) *Attorney, Agent, or Firm* — Nixon & Vanderhye P.C.

(57) **CLAIM**

The ornamental design for a control panel for positive airway pressure delivery device, as shown and described.

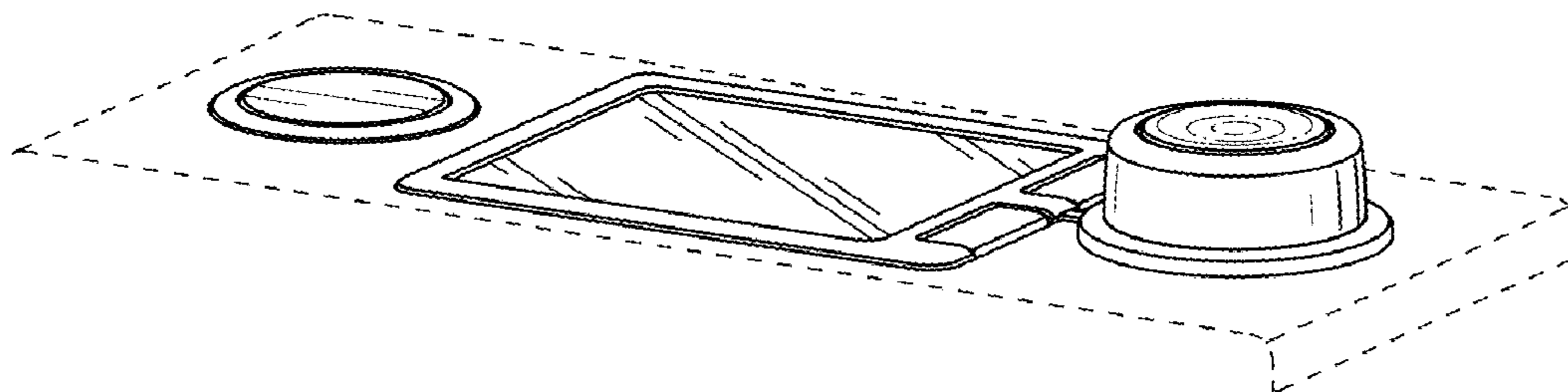
DESCRIPTION

FIG. 1 is a perspective view of a control panel for positive airway pressure delivery device according to our design; and, FIG. 2 is a top view thereof.

The omission of the bottom view is intended to convey that the element(s) depicted is/are plain and unornamented in that omitted view, or that the particular ornamental appearance in that view is simply not claimed.

The broken lines shown in the figures represent portions of the control panel for positive airway pressure delivery device that form no part of the claimed design.

1 Claim, 1 Drawing Sheet



(56)

References Cited

U.S. PATENT DOCUMENTS

D585,131	S	1/2009	Trevor-Wilson et al.
D585,540	S	1/2009	Lithgow et al.
D602,585	S	10/2009	Blackwell et al.
D659,235	S	5/2012	Bertinetti et al.
8,944,057	B2 *	2/2015	Hill A61M 16/16 128/200.24
D738,489	S *	9/2015	Formica D24/110
D743,556	S *	11/2015	Bath D24/164
2007/0023045	A1	2/2007	Kwok et al.
2008/0072900	A1	3/2008	Kenyon et al.
2009/0223514	A1	9/2009	Smith et al.
2010/0307498	A1 *	12/2010	Jones A61M 16/0066 128/204.21

2011/0017212	A1	1/2011	Kenyon et al.
2011/0023877	A1	2/2011	Kenyon et al.
2011/0155132	A1 *	6/2011	Virr A61M 16/16 128/203.26
2013/0008440	A1 *	1/2013	Maurer A61M 16/16 128/203.12
2014/0202460	A1 *	7/2014	Bath A61M 16/0066 128/202.22
2014/0216459	A1 *	8/2014	Vos A61M 16/0003 128/204.17

OTHER PUBLICATIONS

U.S. Appl. No. 29/417,154, filed Mar. 2007, Bertinetti et al.

* cited by examiner

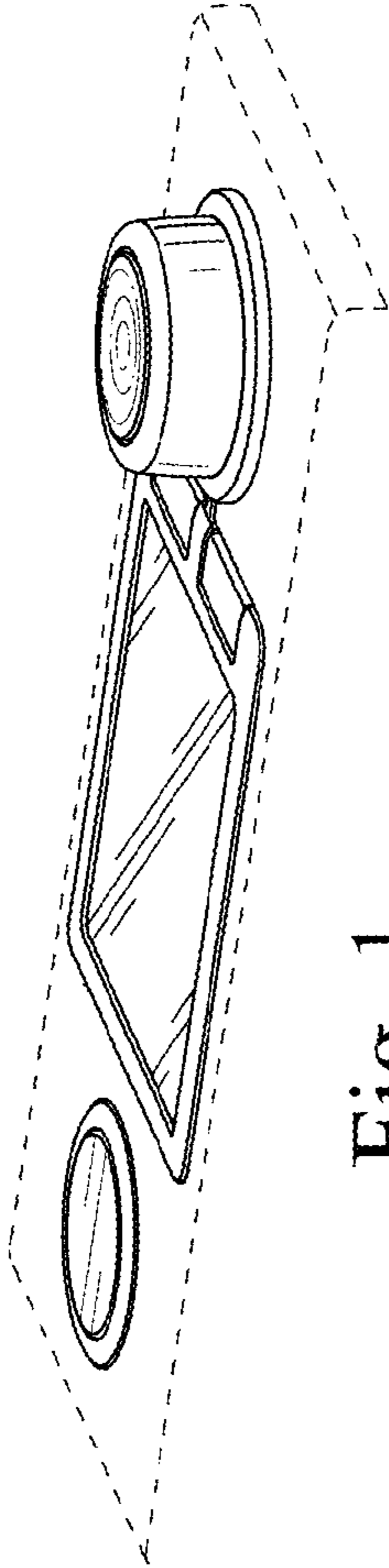


Fig. 1

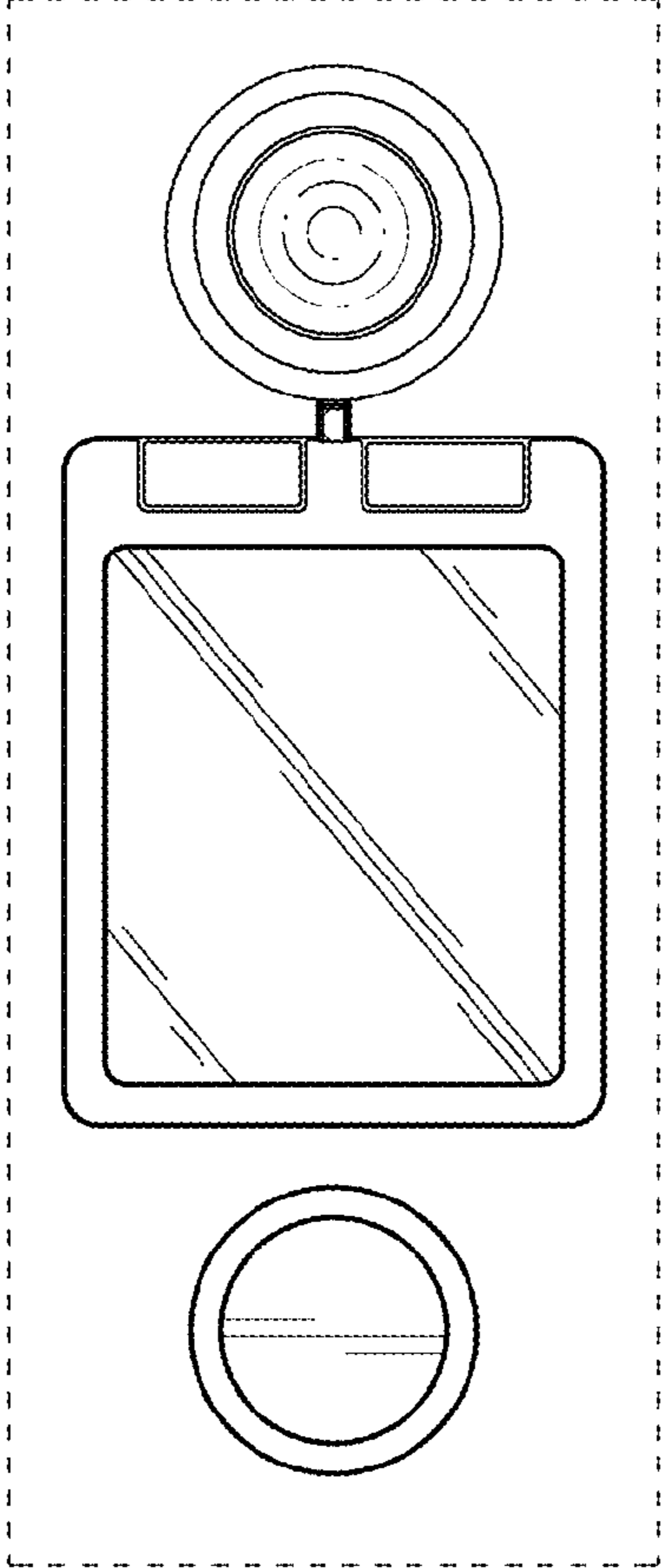


Fig. 2