



US00D759231S

(12) **United States Design Patent**
Chaney et al.

(10) **Patent No.:** **US D759,231 S**
(45) **Date of Patent:** **** Jun. 14, 2016**

- (54) **WINDOW FRAME EXTRUSION**
- (71) Applicants: **Michael T. Chaney**, Middletown, OH (US); **Jonathan C. Hauberg**, Centerville, OH (US)
- (72) Inventors: **Michael T. Chaney**, Middletown, OH (US); **Jonathan C. Hauberg**, Centerville, OH (US)
- (73) Assignee: **DECEUNINCK NORTH AMERICA, LLC**, Monroe, OH (US)
- (**) Term: **14 Years**
- (21) Appl. No.: **29/520,130**
- (22) Filed: **Mar. 11, 2015**
- (51) **LOC (10) Cl.** **25-01**
- (52) **U.S. Cl.**
USPC **D24/119**
- (58) **Field of Classification Search**
USPC D25/119, 124, 125; 52/204.1, 204.2, 52/204.5, 204.51, 204.55, 204.72, 206, 52/208, 209, 212, 213, 215, 216, 579, 52/656.2, 656.5, 656.6, 656.7, 717.01, 52/794.1; 49/180, 183, 449, 501, 504, 505
CPC E06B 1/32; E06B 1/36; E06B 1/62; E06B 1/70; E06B 3/72
See application file for complete search history.

- D437,425 S * 2/2001 Hauberg D25/124
- D438,643 S * 3/2001 Hauberg D25/124
- D439,347 S * 3/2001 Ballard D25/124
- D439,679 S * 3/2001 Ballard D25/124
- D442,291 S * 5/2001 Ballard D25/124
- D451,211 S * 11/2001 Hauberg D25/124
- D453,381 S * 2/2002 Ballard D25/124
- D453,841 S * 2/2002 Hauberg D25/124
- D454,212 S * 3/2002 Ballard D25/124
- D461,915 S 8/2002 Ballard et al.
- D557,819 S 12/2007 Willman
- D557,820 S 12/2007 Willman
- D557,828 S 12/2007 Willman
- D572,379 S * 7/2008 Morton D25/124
- D578,661 S 10/2008 Chaney et al.
- D679,386 S 4/2013 Morton
- D679,387 S * 4/2013 Morton D25/124
- D679,388 S * 4/2013 Morton D25/124
- D679,389 S * 4/2013 Morton D25/124

* cited by examiner

Primary Examiner — Manpreet Matharu
Assistant Examiner — Aula Soroush
(74) *Attorney, Agent, or Firm* — Thompson Hine LLP

(56) **References Cited**

U.S. PATENT DOCUMENTS

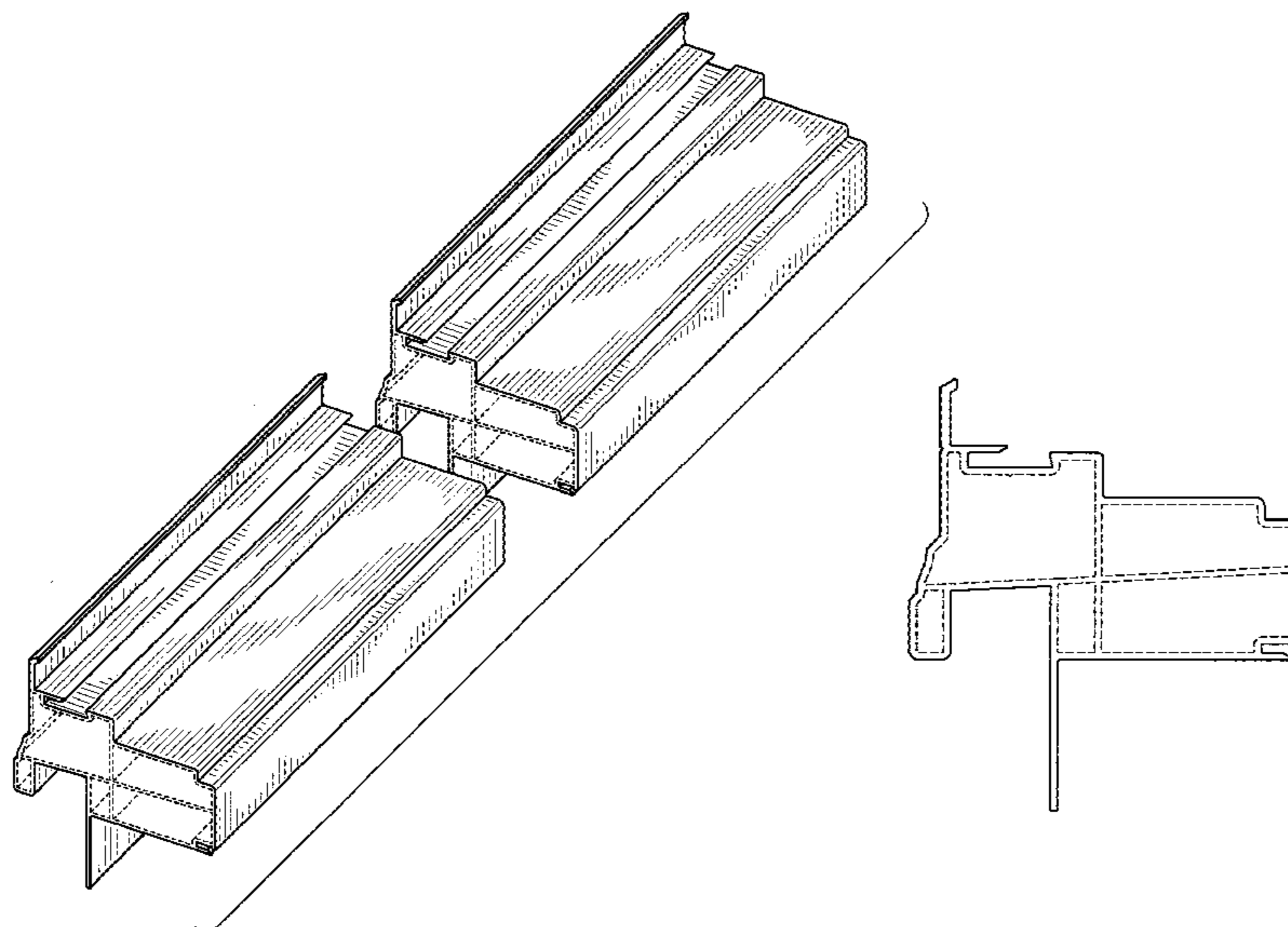
- D301,066 S * 5/1989 Dallaire D25/124
- D301,068 S * 5/1989 Dallaire D25/124
- D353,896 S * 12/1994 Dallaire D25/124
- D429,532 S 8/2000 Siudzinski et al.
- D436,411 S * 1/2001 Morton D25/124
- D436,673 S * 1/2001 Hauberg D25/124

(57) **CLAIM**
The ornamental design for a window frame extrusion, as shown and described.

DESCRIPTION

FIG. 1 is a perspective view of a window frame extrusion showing our new design; and, FIG. 2 is an end view thereof. The broken lines in the drawings illustrate environmental subject matter and form no part of the claimed design. The window frame extrusion is shown with a symbolic break in its length. The appearance of any portion of the window frame extrusion between the break forms no part of the claimed design.

1 Claim, 1 Drawing Sheet



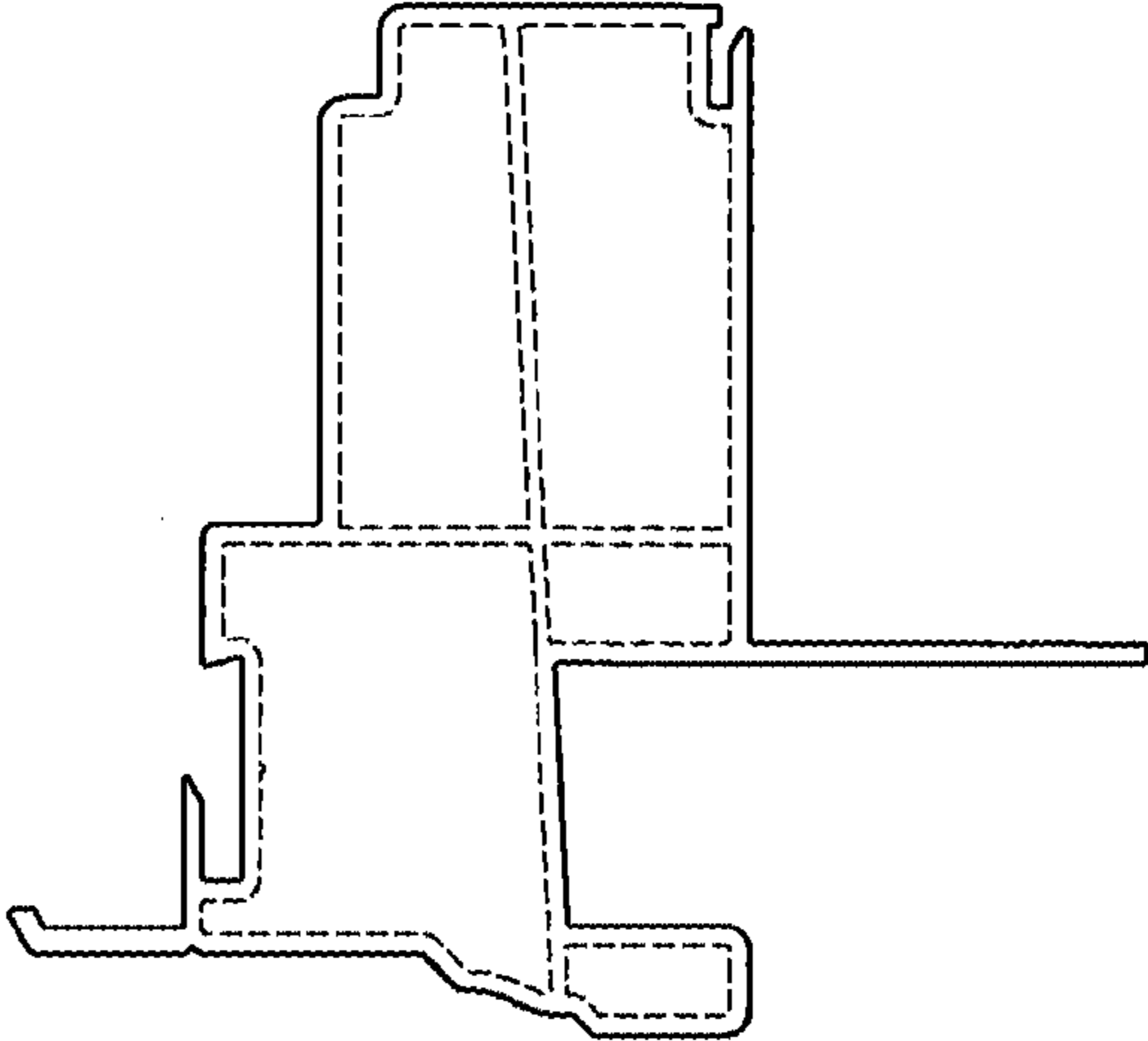


FIG. 2

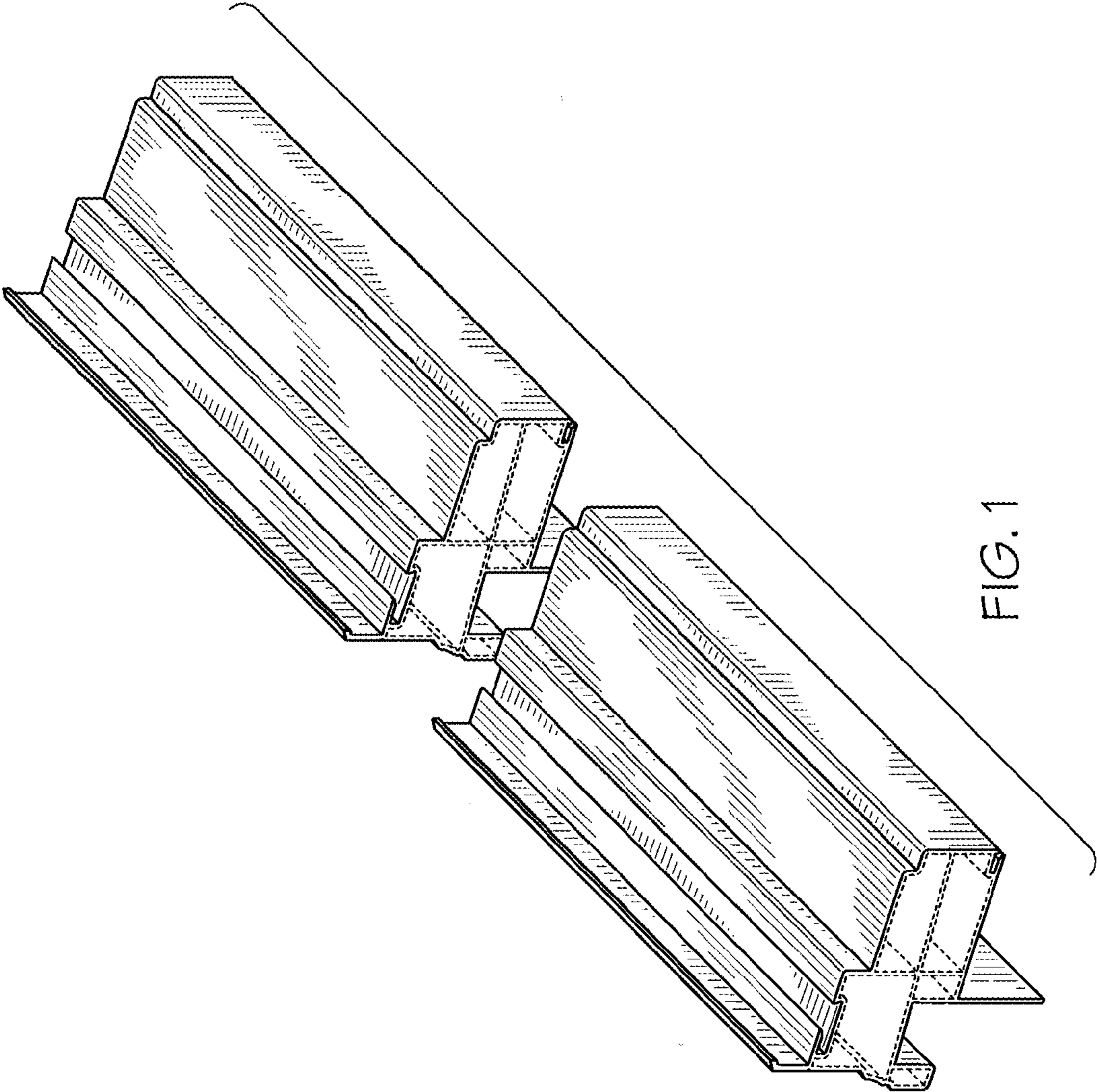


FIG. 1