

US00D759230S

(12) **United States Design Patent**
Gordon et al.

(10) **Patent No.:** **US D759,230 S**
(45) **Date of Patent:** **** Jun. 14, 2016**

(54) **AIRFLOW GENERATOR FOR A SLEEP APNEA SYSTEM**
(71) Applicant: **Fresca Medical, Inc.**, San Clemente, CA (US)
(72) Inventors: **Alan M. Gordon**, Del Mar, CA (US);
Samuel C. Wu, Cerritos, CA (US);
Jonny Yuan, Placentia, CA (US);
Eugene G. Chen, Carlsbad, CA (US);
Stephanie Mirian Lewis, Laguna Beach, CA (US)

6,526,974 B1 3/2003 Brydon et al.
6,561,190 B1 5/2003 Kwok
6,561,191 B1 5/2003 Kwok
6,581,594 B1 6/2003 Drew et al.
6,691,707 B1 2/2004 Gunaratnam et al.
6,752,150 B1 6/2004 Remmers et al.
6,823,865 B2 11/2004 Drew et al.

(Continued)

FOREIGN PATENT DOCUMENTS

EP 1893267 A1 11/2011
EP 2287471 B1 6/2012

(Continued)

OTHER PUBLICATIONS

Wu, Samuel. FRESCA CPAP Phase 5. Behance. Jun. 18, 2015.
<https://www.behance.net/gallery/27151011/FRESCA-CPAP-Phase-5>.*

(Continued)

(73) Assignee: **Fresca Medical, Inc.**, San Clemente, CA (US)

(**) Term: **14 Years**

(21) Appl. No.: **29/492,387**

(22) Filed: **May 30, 2014**

(51) **LOC (10) Cl.** **29-02**

(52) **U.S. Cl.**
USPC **D24/110**

(58) **Field of Classification Search**
USPC D24/107, 108, 110, 111, 164; D15/9;
D14/140
CPC A61M 16/0063; A61M 16/0057;
A61M 16/16; A61M 16/18; A61M 16/00;
A61M 11/02

See application file for complete search history.

(56) **References Cited**

U.S. PATENT DOCUMENTS

5,301,689 A 4/1994 Wennerholm
5,567,127 A 10/1996 Wentz
5,632,270 A 5/1997 O'Mahony et al.
5,649,533 A 7/1997 Oren
D421,298 S * 2/2000 Kenyon D24/110
6,123,071 A 9/2000 Berthon-Jones et al.
6,182,657 B1 2/2001 Brydon et al.
6,216,691 B1 4/2001 Kenyon et al.

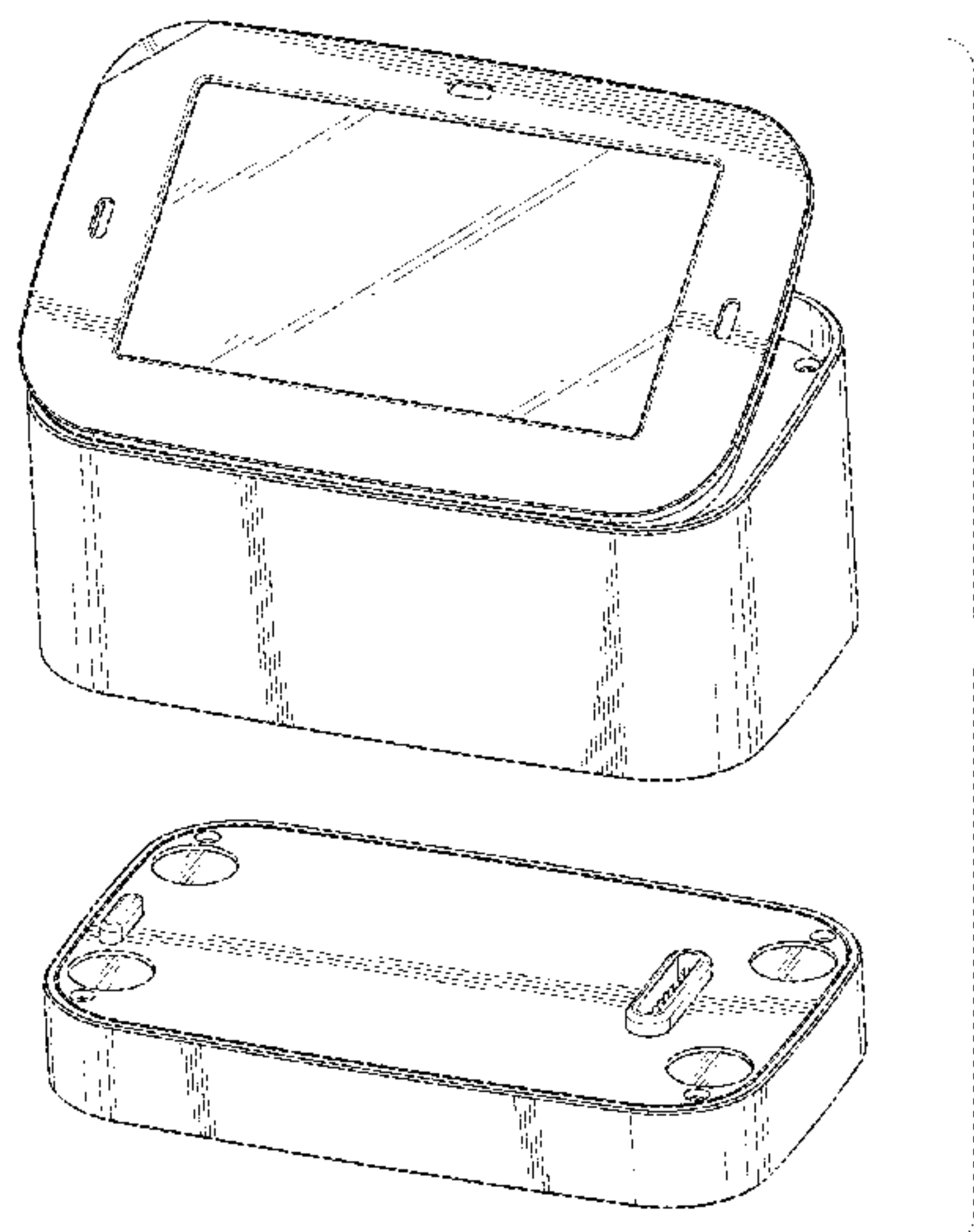
Primary Examiner — Barbara Fox
Assistant Examiner — Lilyana Bekic
(74) *Attorney, Agent, or Firm* — Manuel de la Cerra

(57) **CLAIM**
The ornamental design for a airflow generator for a sleep apnea system, as shown and described herein.

DESCRIPTION

FIG. 1 is a perspective view of an airflow generator for a sleep apnea system showing our new design;
FIG. 2 is a front elevation view thereof;
FIG. 3 is a rear elevation view thereof;
FIG. 4 is a left-side elevation view thereof;
FIG. 5 is a right-side elevation view thereof;
FIG. 6 is a top plan view thereof;
FIG. 7 is a bottom plan view thereof;
FIG. 8 is a partial exploded front view thereof; and,
FIG. 9 is a partial exploded rear view thereof.

1 Claim, 7 Drawing Sheets



(56)

References Cited

U.S. PATENT DOCUMENTS

6,935,337 B2 8/2005 Virr et al.
 7,011,090 B2 3/2006 Drew et al.
 7,066,178 B2 6/2006 Gunaratnam et al.
 7,159,587 B2 1/2007 Drew et al.
 7,178,527 B2 2/2007 Kwok et al.
 7,207,335 B2 4/2007 Kwok et al.
 7,341,060 B2 3/2008 Ging et al.
 D570,473 S * 6/2008 Hamaguchi D24/110
 7,487,772 B2 2/2009 Ging et al.
 7,523,753 B2 4/2009 Gunaratnam et al.
 7,527,055 B2 5/2009 McAuliffe et al.
 7,597,100 B2 10/2009 Ging et al.
 7,614,398 B2 11/2009 Virr et al.
 D612,503 S * 3/2010 Johnston D24/186
 7,735,492 B2 6/2010 Doshi et al.
 7,743,767 B2 6/2010 Ging et al.
 7,806,120 B2 10/2010 Loomas et al.
 7,845,354 B2 12/2010 Kwok et al.
 7,856,979 B2 12/2010 Doshi et al.
 7,874,293 B2 1/2011 Gunaratnam et al.
 7,878,199 B2 2/2011 Ging et al.
 7,926,487 B2 4/2011 Drew et al.
 7,934,501 B2 5/2011 Fu et al.
 7,938,116 B2 5/2011 Ging et al.
 7,942,150 B2 5/2011 Guney et al.
 7,950,392 B2 5/2011 Kwok et al.
 7,967,013 B2 6/2011 Ging et al.
 7,992,564 B2 8/2011 Doshi et al.
 7,997,267 B2 8/2011 Ging et al.
 8,011,369 B2 9/2011 Gunaratnam et al.
 8,122,884 B2 2/2012 Daly et al.
 8,122,886 B2 2/2012 Kwok et al.
 8,136,524 B2 3/2012 Ging et al.
 D659,235 S * 5/2012 Bertinetti D24/110
 8,215,308 B2 7/2012 Doshi et al.
 8,235,046 B2 8/2012 Doshi et al.
 8,240,309 B2 8/2012 Doshi et al.
 8,286,636 B2 10/2012 Gunaratnam et al.
 8,312,883 B2 11/2012 Gunaratnam et al.
 8,337,145 B2 12/2012 Frater et al.
 8,397,727 B2 3/2013 Ng et al.
 8,402,972 B2 3/2013 Lang et al.
 D683,444 S * 5/2013 Inoue D24/110
 D683,445 S * 5/2013 Inoue D24/110
 8,439,039 B2 5/2013 Gunaratnam et al.
 RE44,453 E 8/2013 Virr et al.
 D703,311 S * 4/2014 Daly D24/110
 D710,989 S * 8/2014 Bertinetti D24/110
 D716,815 S * 11/2014 van Hees D14/420
 D735,865 S * 8/2015 Nishimura D24/164
 2007/0023045 A1 * 2/2007 Kwok A61M 16/0057
 128/204.23
 2009/0065729 A1 3/2009 Worboys et al.
 2009/0133700 A1 5/2009 Martin et al.
 2010/0229867 A1 * 9/2010 Bertinetti A61M 16/0051
 128/205.25
 2011/0011400 A1 1/2011 Gentner et al.
 2011/0197882 A1 * 8/2011 Truschel A61M 16/00
 128/204.18
 2011/0214676 A1 9/2011 Allum et al.
 2012/0234323 A1 9/2012 Connor
 2012/0325205 A1 12/2012 Allum et al.
 2012/0325218 A1 12/2012 Brambilla
 2013/0184602 A1 7/2013 Brambilla
 2013/0312757 A1 11/2013 Cragg et al.

2014/0246024 A1 9/2014 Cragg et al.
 2014/0246025 A1 9/2014 Cragg et al.
 2015/0197378 A1 * 7/2015 Miller B65D 43/166
 220/810

FOREIGN PATENT DOCUMENTS

EP 2530327 A2 12/2012
 GB 2021421 12/1979
 WO WO 97/41812 A1 11/1997
 WO WO 01/32251 5/2001
 WO WO 02/15969 A2 2/2002
 WO WO 2009/089807 7/2009
 WO WO 2012/048364 4/2012
 WO WO 2013/155349 10/2013
 WO WO 2014/186584 11/2014

OTHER PUBLICATIONS

CPAP Systems and Accessories: Comfort Accuracy and High Flows. Vital Signs, Inc. General Electric Healthcare Company. 2009, 2 pages.
 Deegan, P., et al. Effects of positive airway pressure on upper airway dilator muscle activity and ventilatory timing. Journal of Applied Physiol. Jul. 1996; 81(1): 470-9.
 Duncan, A., et al. PEEP and CPAP. Anaesth Intensive Care. Aug. 1986; 14(3): 236-50.
 Garrard, C., et al. The effects of expiratory positive airway pressure on functional residual capacity in normal subjects. Crit Care Med. Sep.-Oct. 1978; 6(5): 320-2.
 Gillick, JS. Spontaneous positive end-expiratory pressure (sPEEP). Anesthesia & Analgesia. Sep.-Oct. 1977; 56(5): 627-32. PubMed PMID: 333990.
 Heinzer R, et al. Effect of expiratory positive airway pressure on sleep disordered breathing. Sleep. Mar. 2008; 31(3): 429-32.
 International Search Report and Written Opinion issued in PCT/US2014/038215 mailed Nov. 18, 2014 in 21 pages.
 Juhász, J. et al. Proportional positive airway pressure: a new concept to treat obstructive sleep apnoea. European Respiratory Journal. 2001; 17: 467-473.
 Layon, J., et al. Continuous positive airway pressure and expiratory positive airway pressure increase functional residual capacity equivalently. Chest. Apr. 1986; 89(4):517-21.
 Resta, O., et al. The role of the expiratory phase in obstructive sleep apnoea. Respir Med. Mar. 1999; 93(3):190-5.
 Sanders, M., et al. Obstructive sleep apnea treated by independently adjusted inspiratory and expiratory positive airway pressures via nasal mask. Physiologic and clinical implications. Chest. Aug. 1990; 98(2): 317-24.
 Schlobohm, R., et al. Lung volumes, mechanics, and oxygenation during spontaneous positive-pressure ventilation: the advantage of CPAP over EPAP. Anesthesiology. Oct. 1981; 55(4): 416-22.
 Schmidt, G., et al. EPAP without intubation. Crit Care Med. Jul.-Aug. 1977; 5(4): 207-9.
 Sériès, F., et al. Changes in upper airway resistance with lung inflation and positive airway pressure. American Physiological Society. Mar. 1990; 68(3): 1075-1079.
 Sturgeon, C. Jr, et al. PEEP and CPAP: cardiopulmonary effects during spontaneous ventilation. Anesth Analg. Sep.-Oct. 1977; 56(5):633-41. PubMed PMID: 20822.
 Tummons, J. A positive end-expiratory pressure-nasal-assist device (PEEP-NAD) for treatment of respiratory distress syndrome. Anesthesiology. Jun. 1973; 38(6):592-5.

* cited by examiner

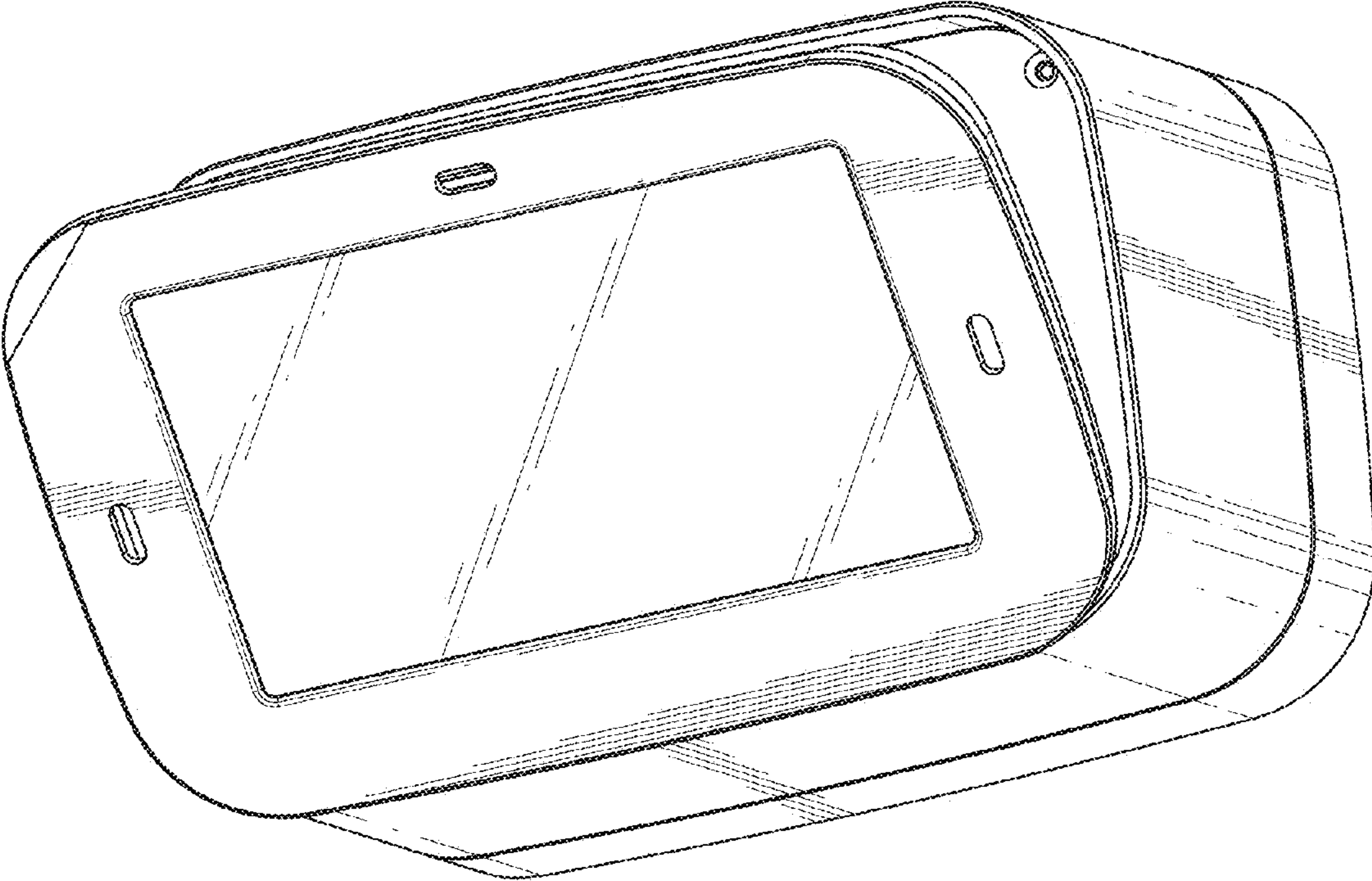


FIG. 1

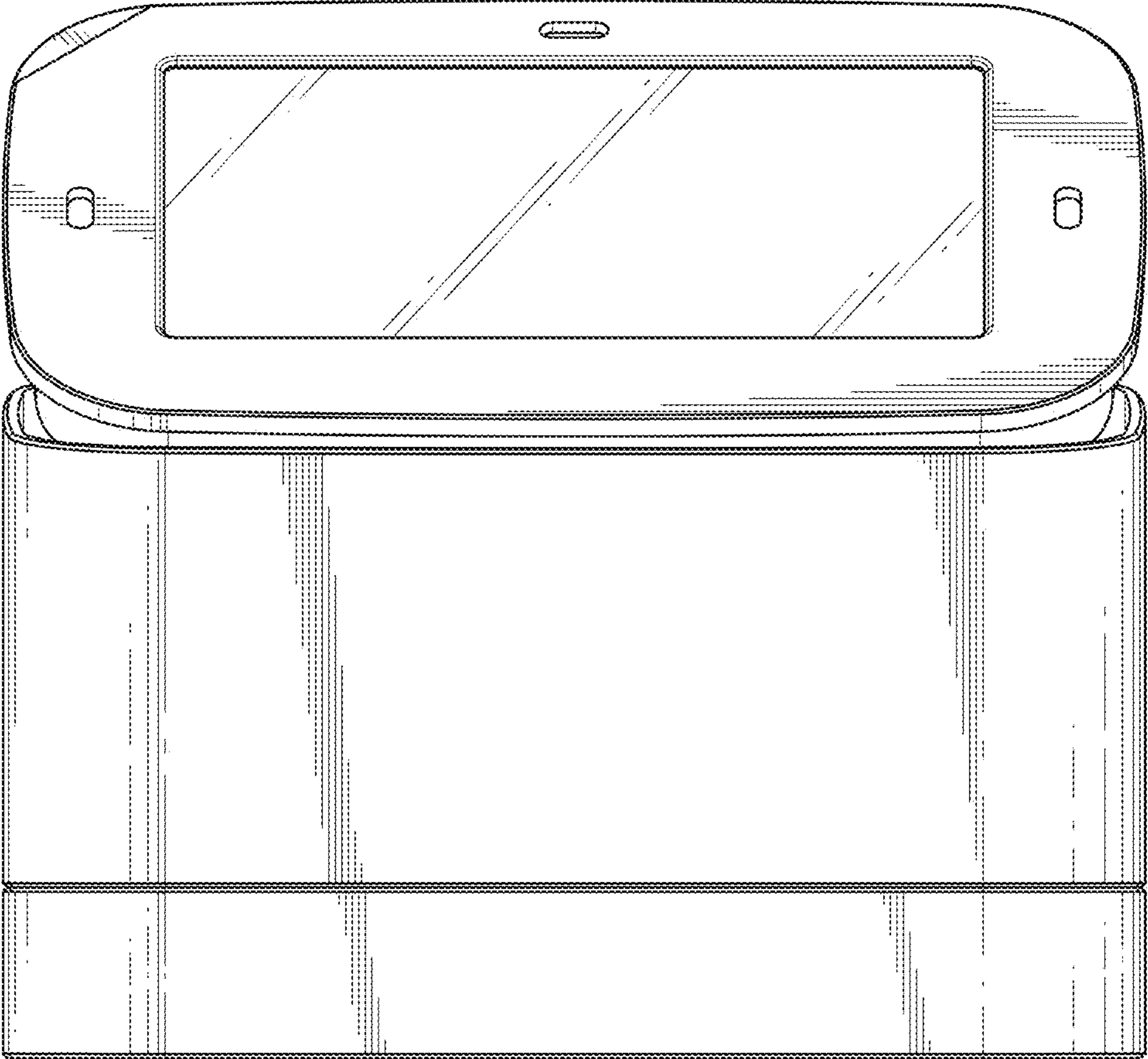


FIG. 2

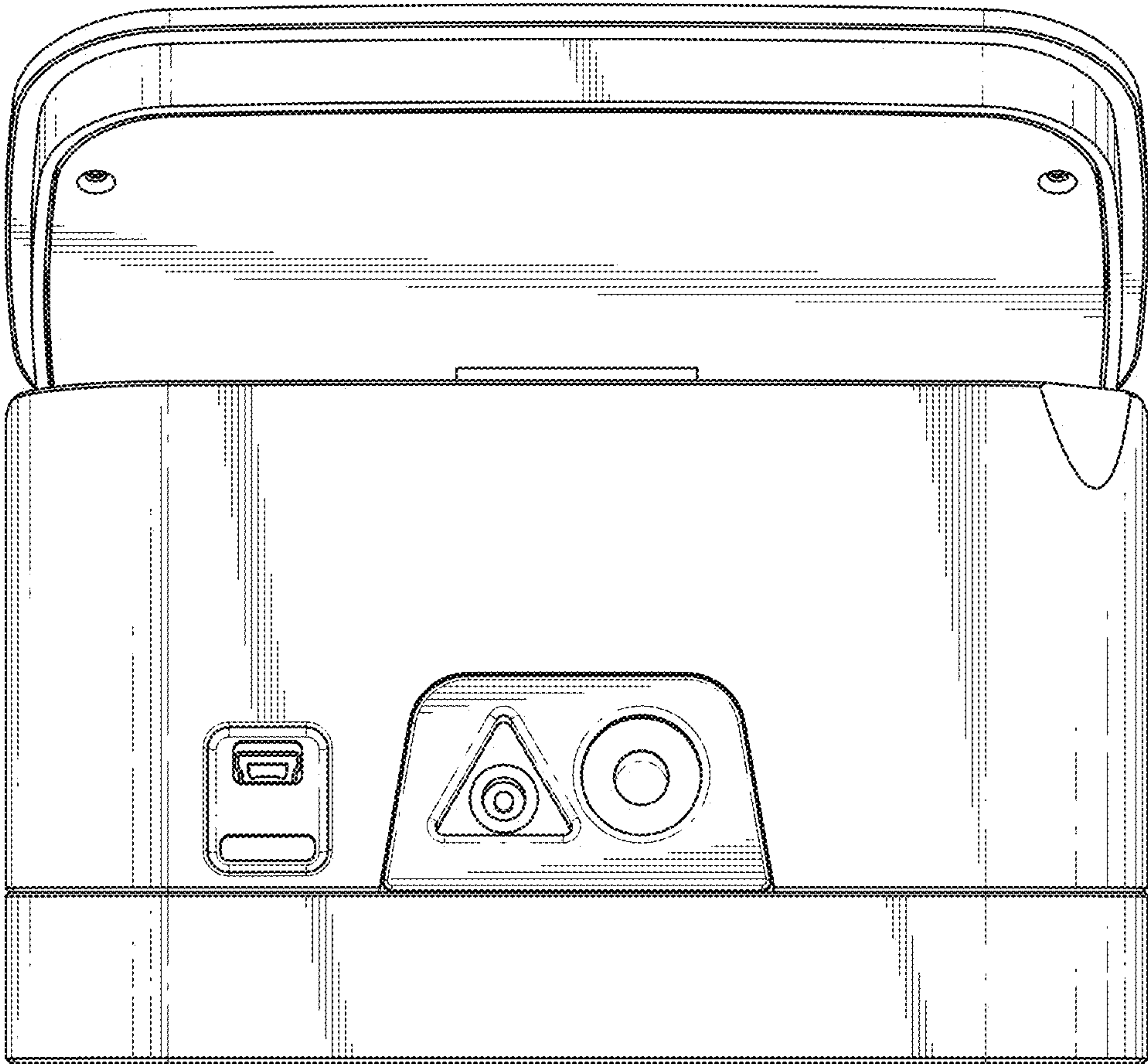


FIG. 3

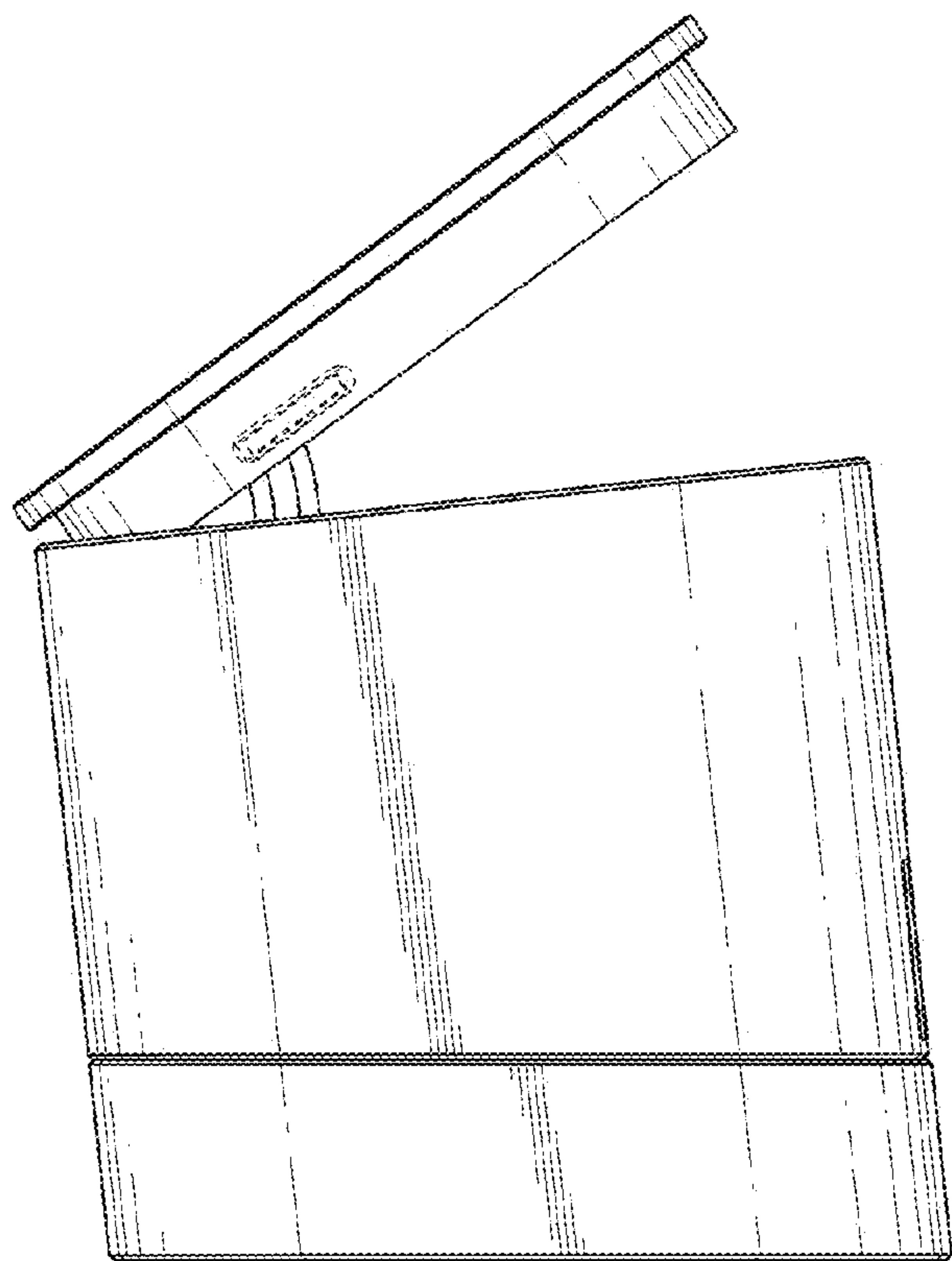


FIG. 4

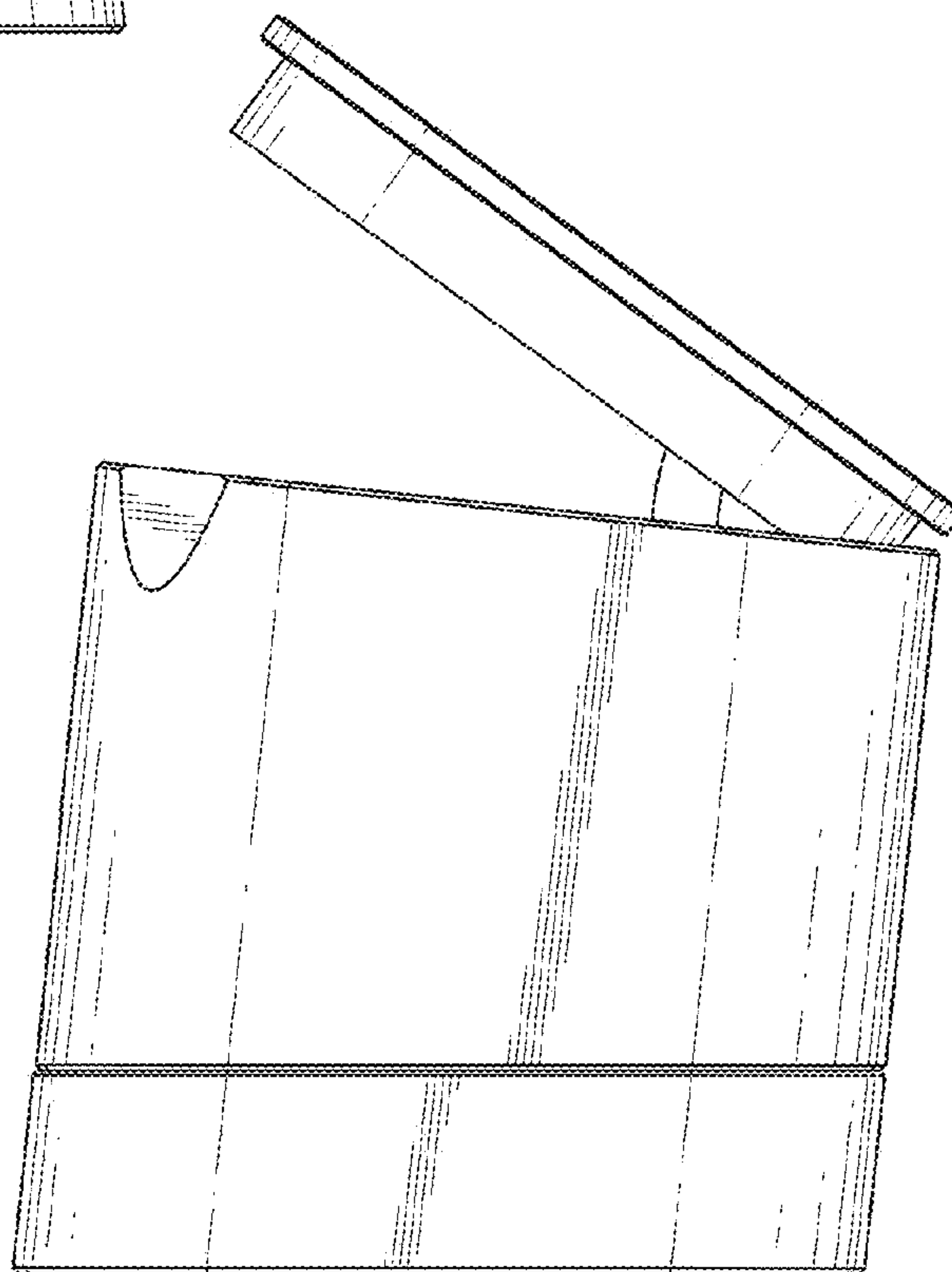


FIG. 5

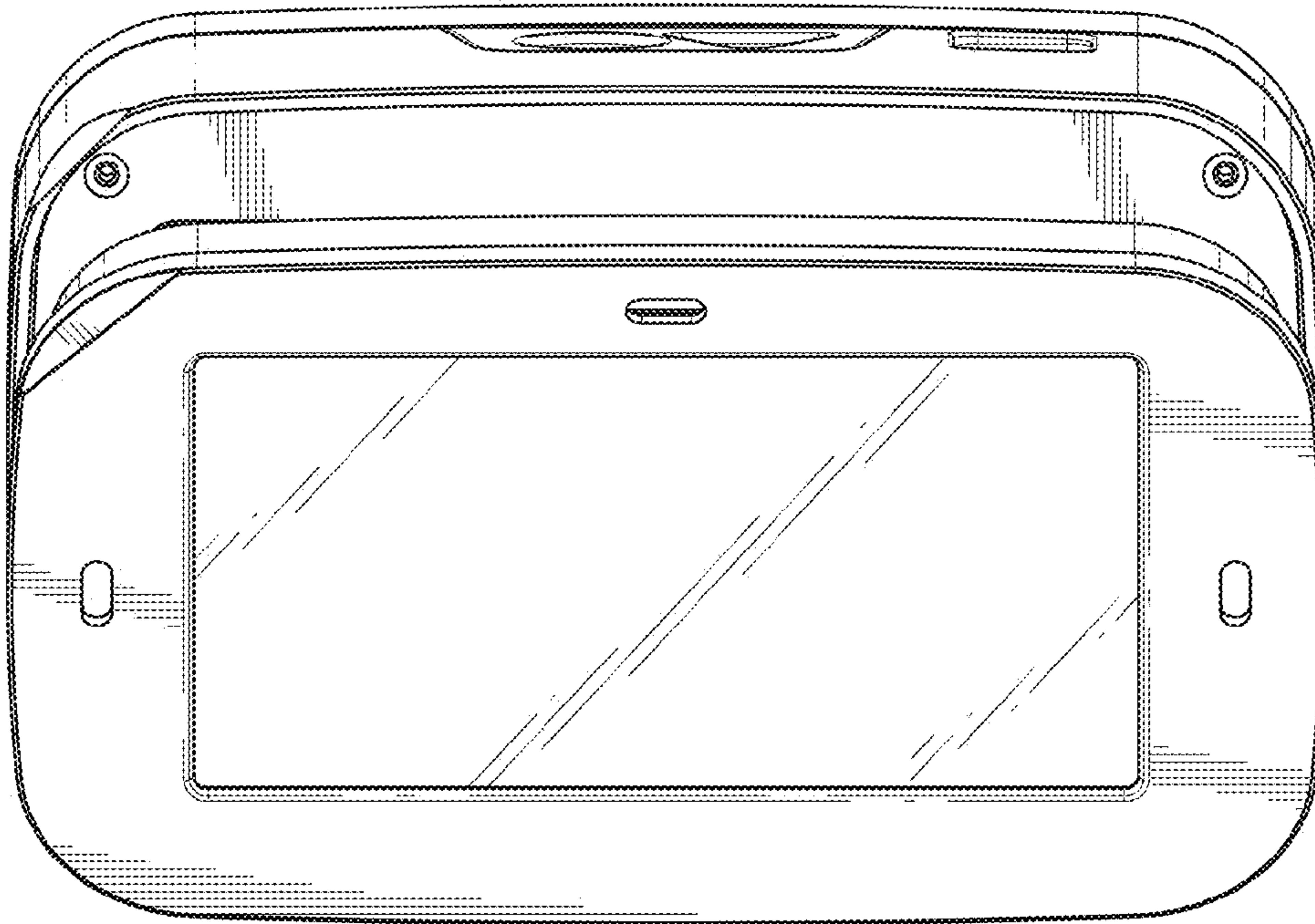


FIG. 6

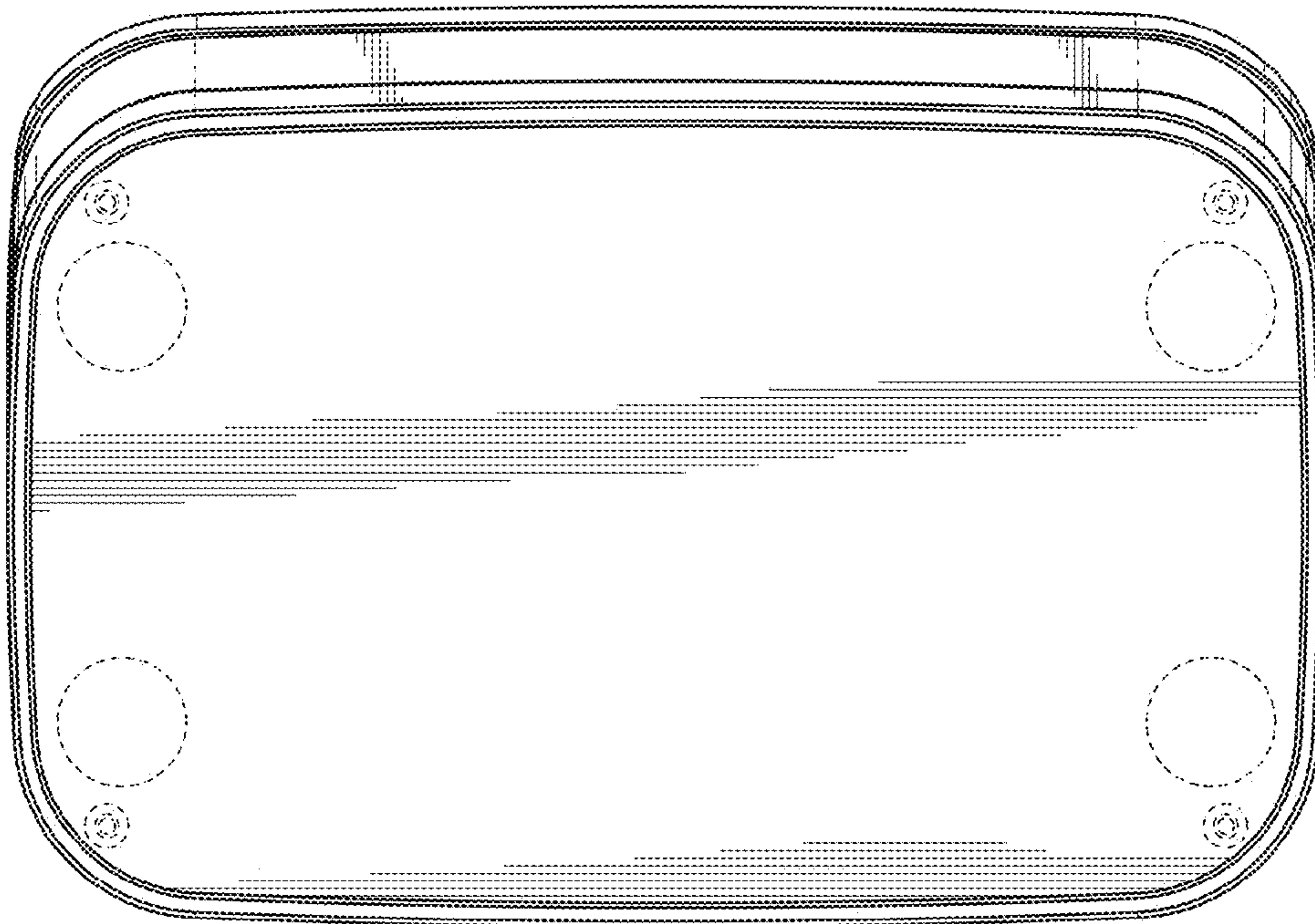


FIG. 7



FIG. 8

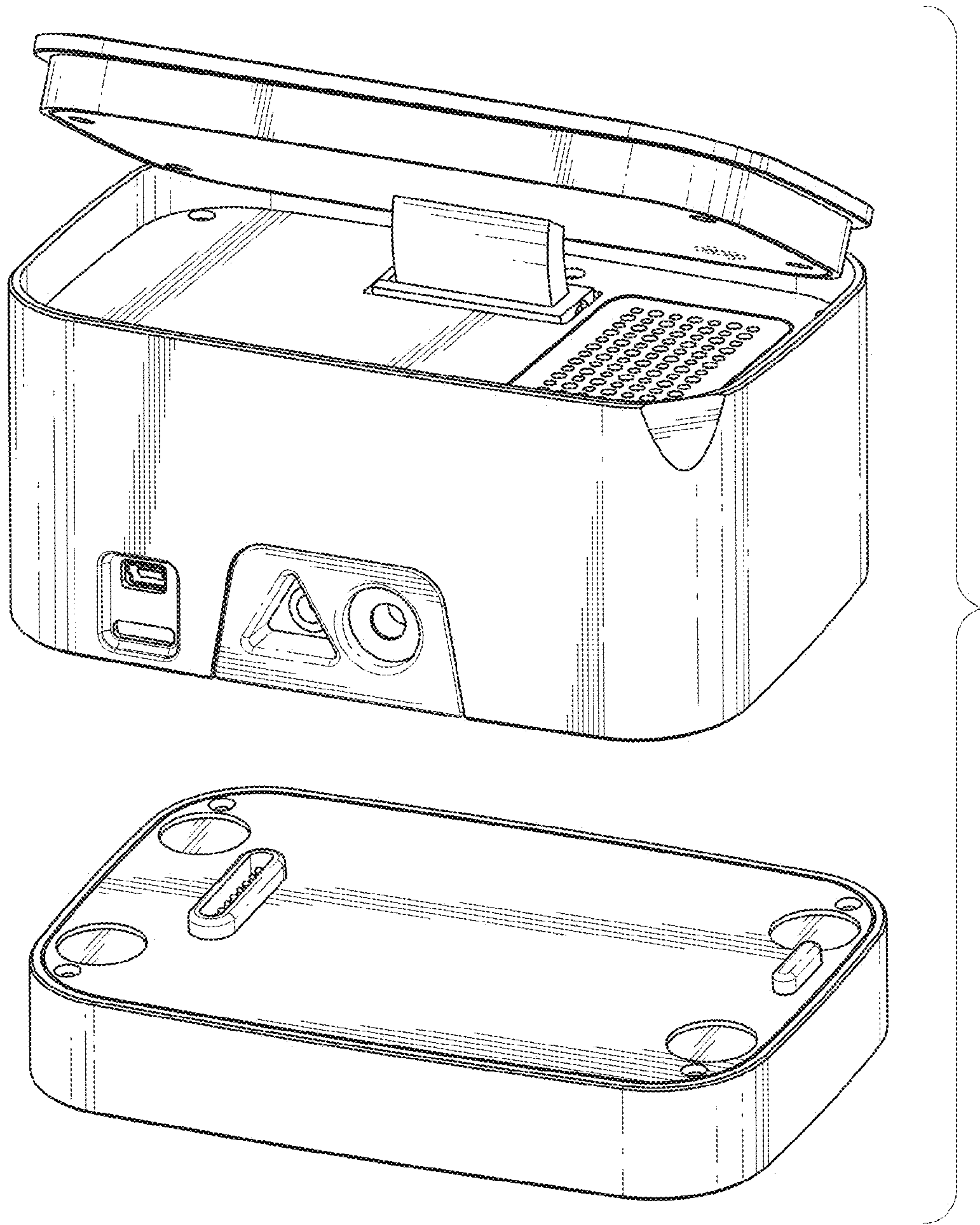


FIG. 9