



US00D759229S

(12) **United States Design Patent**  
**Gibb et al.**

(10) **Patent No.:** **US D759,229 S**  
(45) **Date of Patent:** **\*\* Jun. 14, 2016**

(54) **FUEL TANK FRAME ASSEMBLY**

2,436,358 A \* 2/1948 Hastings, Jr. .... B65D 19/0073  
108/57.23

(71) Applicants: **Gary Gibb**, Stow, OH (US); **Michael Pintz**, Fairview Park, OH (US); **Stephen Polatas**, North Canton, OH (US)

2,474,337 A \* 6/1949 Sutherland ..... B65D 19/00  
206/392

(Continued)

(72) Inventors: **Gary Gibb**, Stow, OH (US); **Michael Pintz**, Fairview Park, OH (US); **Stephen Polatas**, North Canton, OH (US)

**FOREIGN PATENT DOCUMENTS**

WO 2013086345 6/2013  
WO 2013142536 9/2013  
WO 2013142729 9/2013

(73) Assignee: **WORTHINGTON INDUSTRIES**, Columbus, OH (US)

**OTHER PUBLICATIONS**

(\*\*) Term: **14 Years**

International Search Report and Written Opinion of the International Searching Authority mailed Apr. 14, 2014.

(21) Appl. No.: **29/520,243**

*Primary Examiner* — Karen S Acker

(22) Filed: **Mar. 12, 2015**

(74) *Attorney, Agent, or Firm* — Tucker Ellis LLP; Carlos Garritano

**Related U.S. Application Data**

(63) Continuation of application No. 29/473,251, filed on Nov. 20, 2013, now abandoned.

(51) **LOC (10) Cl.** ..... **23-03**

(52) **U.S. Cl.**  
USPC ..... **D23/499**

(58) **Field of Classification Search**  
USPC ..... D23/403, 409, 410, 415–422, 499;  
D7/403, 404  
CPC ..... A47B 91/005; B65D 1/38; B65D 9/10;  
B65D 11/14; B65D 19/02; B65D 19/07;  
B65D 19/0006; B65D 19/0075; C10L 5/365;  
F17C 13/08; F17C 2205/01; F17C 2205/0107;  
F17C 2205/018; F24B 1/191; F24B 1/193;  
F24B 1/199

See application file for complete search history.

(56) **References Cited**

**U.S. PATENT DOCUMENTS**

2,109,784 A \* 3/1938 Shepard, Jr. .... B65D 19/0075  
108/57.24  
D115,563 S \* 7/1939 Morgan ..... D30/133

(57) **CLAIM**

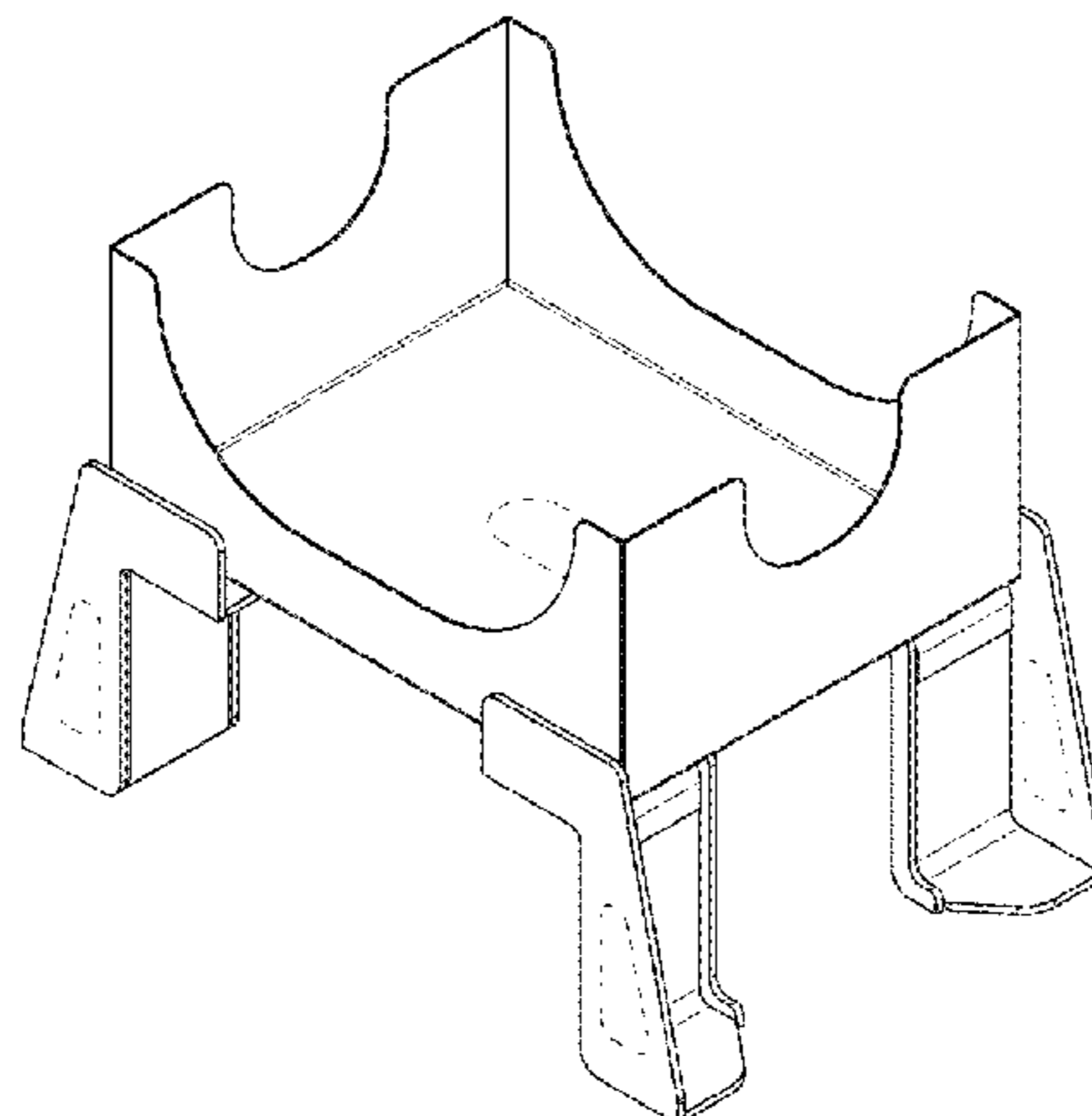
The ornamental design for a fuel tank frame assembly, as shown and described.

**DESCRIPTION**

FIG. 1 is a perspective view of a fuel tank frame assembly; FIG. 2 is a back view of the fuel tank frame assembly of FIG. 1; FIG. 3 is a front view of the fuel tank frame assembly of FIG. 1; FIG. 4 is a first side view of the fuel tank frame assembly of FIG. 1; FIG. 5 is a second side view of the fuel tank frame assembly of FIG. 1, wherein the second side is opposite the first side of FIG. 4; FIG. 6 is a top view of the fuel tank frame assembly of FIG. 1; and, FIG. 7 is a bottom view of the fuel tank frame assembly of FIG. 1.

The broken lines in the drawings depict environmental subject matter that forms no part of the claimed design.

**1 Claim, 2 Drawing Sheets**



(56)

References Cited

U.S. PATENT DOCUMENTS

2,576,832	A *	11/1951	Gilbson .....	F17C 13/084 248/146	7,607,898	B2	10/2009	Noble et al.
2,698,571	A *	1/1955	Harrison .....	B65D 19/00 100/1	7,617,416	B2	11/2009	Gupta et al.
2,819,859	A *	1/1958	Garbarino .....	B65D 19/0075 108/51.11	7,627,416	B2	12/2009	Batenburg et al.
3,682,351	A *	8/1972	De Putter .....	B65D 21/06 206/505	7,837,054	B2	11/2010	Van Oyen et al.
4,605,126	A *	8/1986	Goedken .....	B65D 19/00 206/380	7,850,034	B2	12/2010	Munshi et al.
4,699,342	A *	10/1987	Bartz .....	B67D 1/0891 222/183	8,028,676	B2	10/2011	Ancimer et al.
4,838,295	A	6/1989	Smith et al.		8,091,536	B2	1/2012	Munshi et al.
5,100,007	A *	3/1992	Espasandin .....	F17C 13/084 211/85.18	8,095,294	B1	1/2012	Griffiths et al.
D333,093	S *	2/1993	Rehrig .....	D3/314	8,104,296	B2	1/2012	Harper et al.
5,230,322	A	7/1993	Curran et al.		8,172,557	B2	5/2012	Hilger et al.
5,558,246	A *	9/1996	Ross, Jr. ....	A47F 7/28 220/4.22	8,215,331	B2	7/2012	Chen
5,775,309	A	7/1998	Burrahm		8,232,750	B2	7/2012	Smugeresky et al.
5,775,599	A	7/1998	Smith et al.		8,322,357	B2	12/2012	Chen
5,887,799	A	3/1999	Smith		8,517,206	B2	8/2013	Liu
6,041,762	A	3/2000	Sirosh et al.		8,534,403	B2	9/2013	Pursifull
6,112,760	A	9/2000	Scott et al.		D694,167	S	11/2013	Forsberg et al.
6,161,783	A	12/2000	Press		D695,202	S	12/2013	Forsberg et al.
6,240,909	B1	6/2001	Scott		9,010,832	B2	4/2015	Howell et al.
6,257,360	B1	7/2001	Wozniak		2002/0096212	A1	7/2002	Yamada et al.
6,267,113	B1 *	7/2001	Maust .....	F24C 3/006 126/512	2003/0046893	A1 *	3/2003	Fritsche .....
6,367,573	B1	4/2002	Scott		2004/0075034	A1	4/2004	Yokote
6,412,588	B1	7/2002	Scott et al.		2006/0032532	A1	2/2006	Suess et al.
6,502,660	B1	1/2003	Scott et al.		2006/0163522	A1	7/2006	Gallagher et al.
6,581,513	B1 *	6/2003	Prado Alvarez ....	A47J 37/0759 126/25 R	2008/0149078	A1	6/2008	Hill et al.
6,676,163	B2	1/2004	Joiturescu et al.		2008/0190332	A1 *	8/2008	Rimmer .....
7,124,959	B2	10/2006	Baker et al.		2009/0050630	A1	2/2009	Iida et al.
7,162,994	B2	1/2007	Li et al.		2010/0078244	A1	4/2010	Pursifull
7,162,995	B2	1/2007	Munshi		2011/0140483	A1	6/2011	Veenstra
7,213,564	B2	5/2007	Hill et al.		2011/0172871	A1	7/2011	Hall et al.
7,222,836	B2	5/2007	Chen		2011/0206951	A1	8/2011	Ford et al.
7,225,790	B2	6/2007	Bartunek et al.		2011/0272045	A1	11/2011	Matsukawa
7,281,514	B2	10/2007	Hill et al.		2011/0276253	A1	11/2011	Kjar et al.
7,281,515	B2	10/2007	Mann et al.		2011/0288738	A1	11/2011	Donnelly et al.
7,293,418	B2	11/2007	Noble et al.		2012/0004824	A1	1/2012	Milton et al.
7,302,939	B2	12/2007	Hill et al.		2012/0012593	A1	1/2012	Kuroiwa et al.
7,308,889	B2	12/2007	Post et al.		2012/0125294	A1	5/2012	Trembath et al.
7,325,529	B2	2/2008	Ancimer et al.		2013/0042836	A1	2/2013	Trembath et al.
7,350,604	B2	4/2008	Veenstra et al.		2013/0112171	A1	5/2013	Matsukawa
7,386,977	B2	6/2008	Ancimer et al.		2013/0187453	A1	7/2013	Flett et al.
7,392,129	B2	6/2008	Hill et al.		2013/0197777	A1	8/2013	Sloan et al.
7,463,967	B2	12/2008	Ancimer et al.		2013/0284748	A1	10/2013	Sloan et al.
7,527,041	B2	5/2009	Wing et al.		2013/0291825	A1	11/2013	Sloan et al.
7,527,482	B2	5/2009	Ursan et al.		2013/0293163	A1	11/2013	Flett
7,542,842	B2	6/2009	Hill et al.		2013/0327782	A1	12/2013	Davis
7,546,744	B2	6/2009	Harper et al.		2014/0060494	A1	3/2014	Milton et al.
					2014/0061266	A1	3/2014	Milton et al.
					2014/0102415	A1	4/2014	Wyban et al.
					2015/0014264	A1 *	1/2015	Linnell, Sr. ....
								B65D 33/00 211/187
					2015/0075488	A1	3/2015	Touchette et al.
					2015/0075499	A1	3/2015	Touchette et al.
					2015/0083055	A1	3/2015	Melanson et al.
					2015/0096530	A1	4/2015	Bzymek et al.
					2015/0096977	A1	4/2015	Sirosh et al.

\* cited by examiner

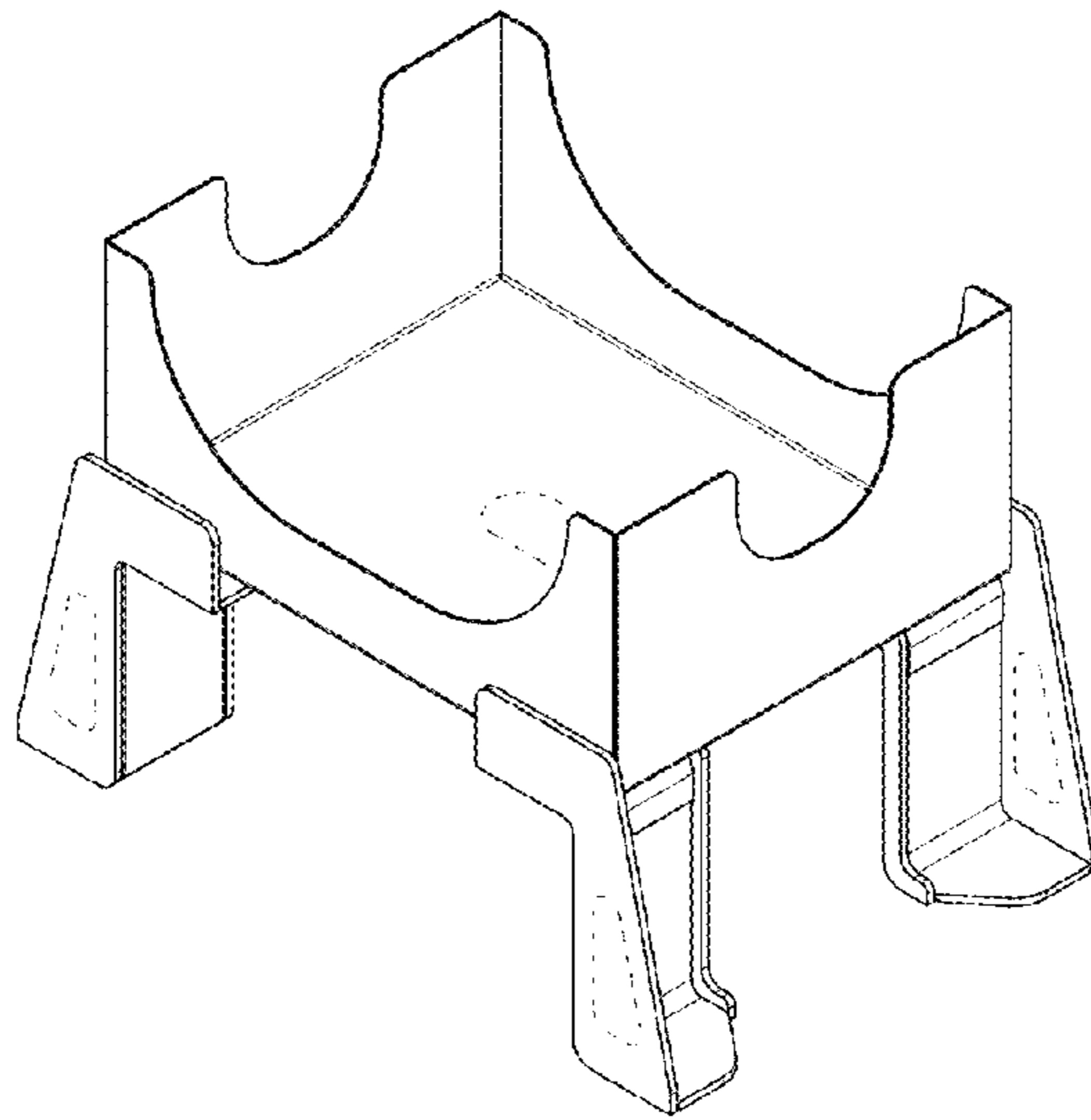


FIG. 1

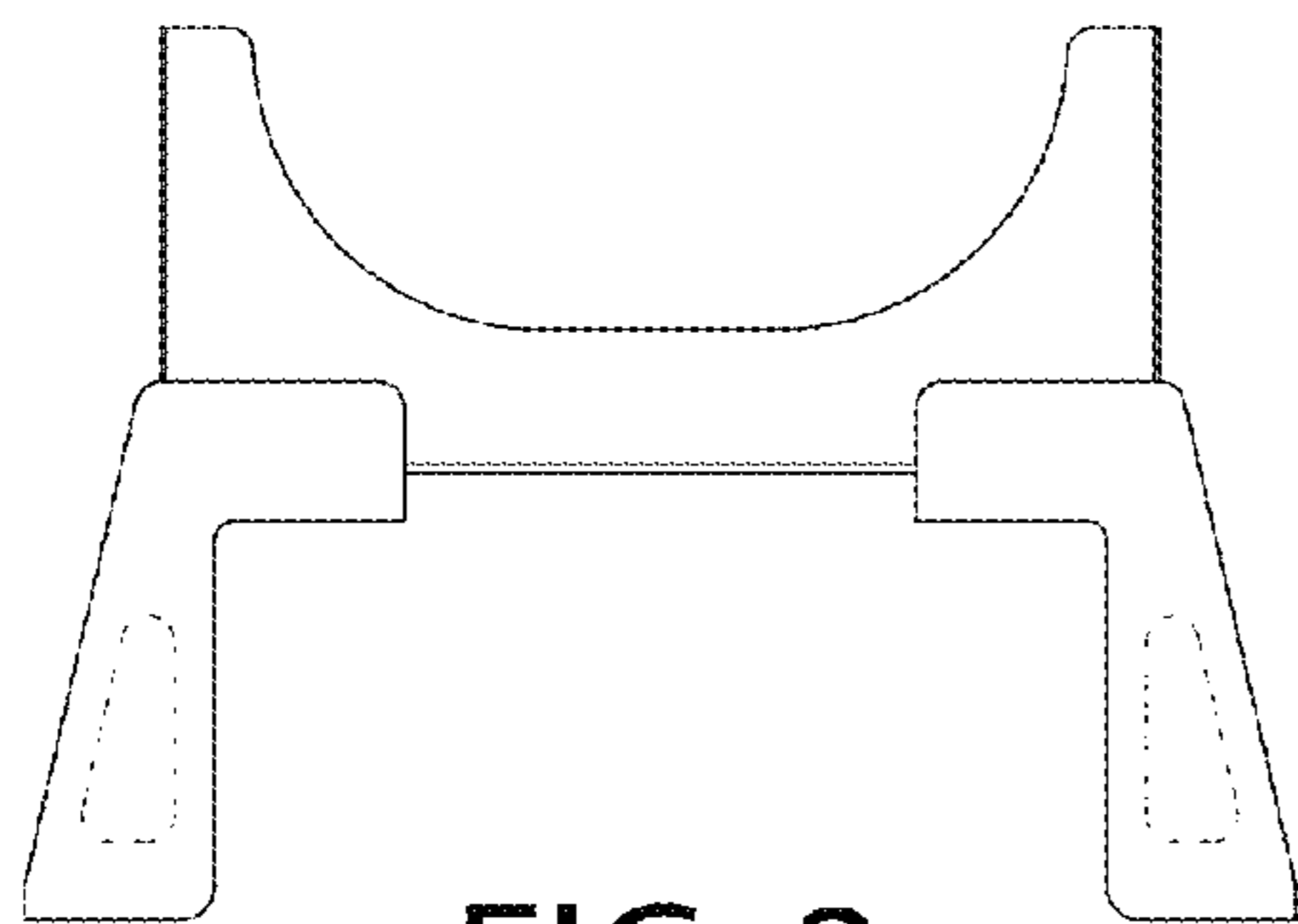


FIG. 2

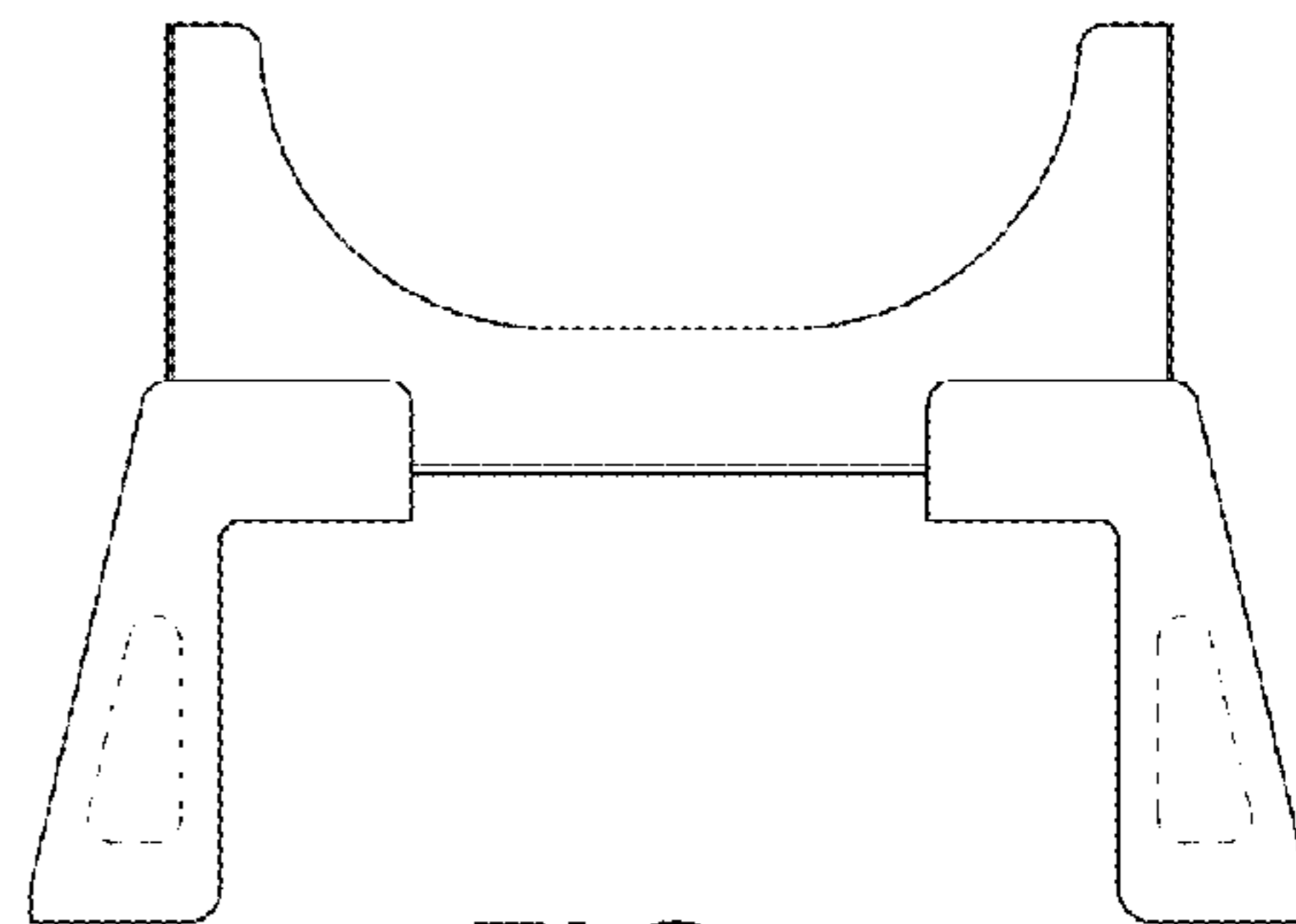


FIG. 3

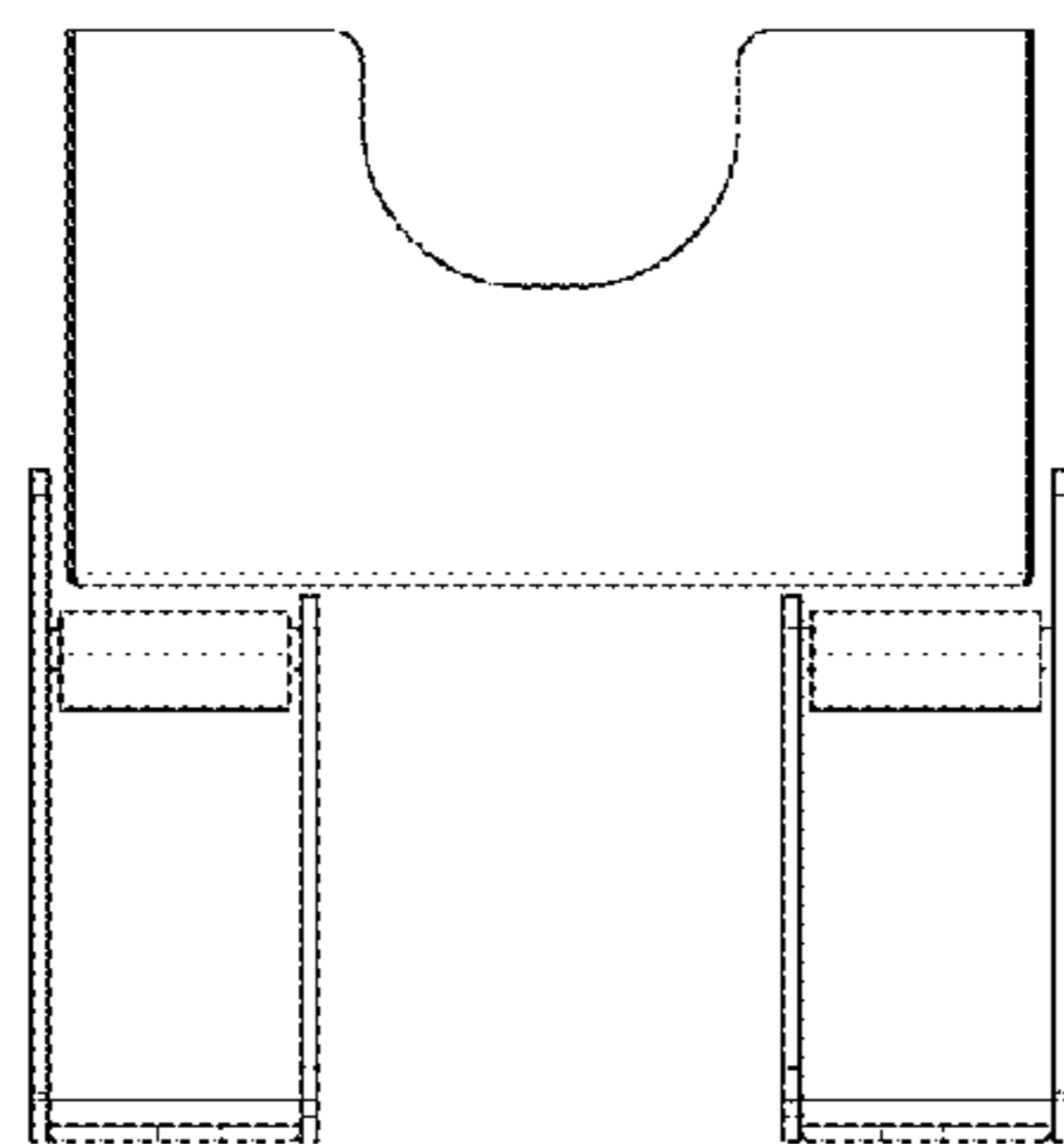


FIG. 4

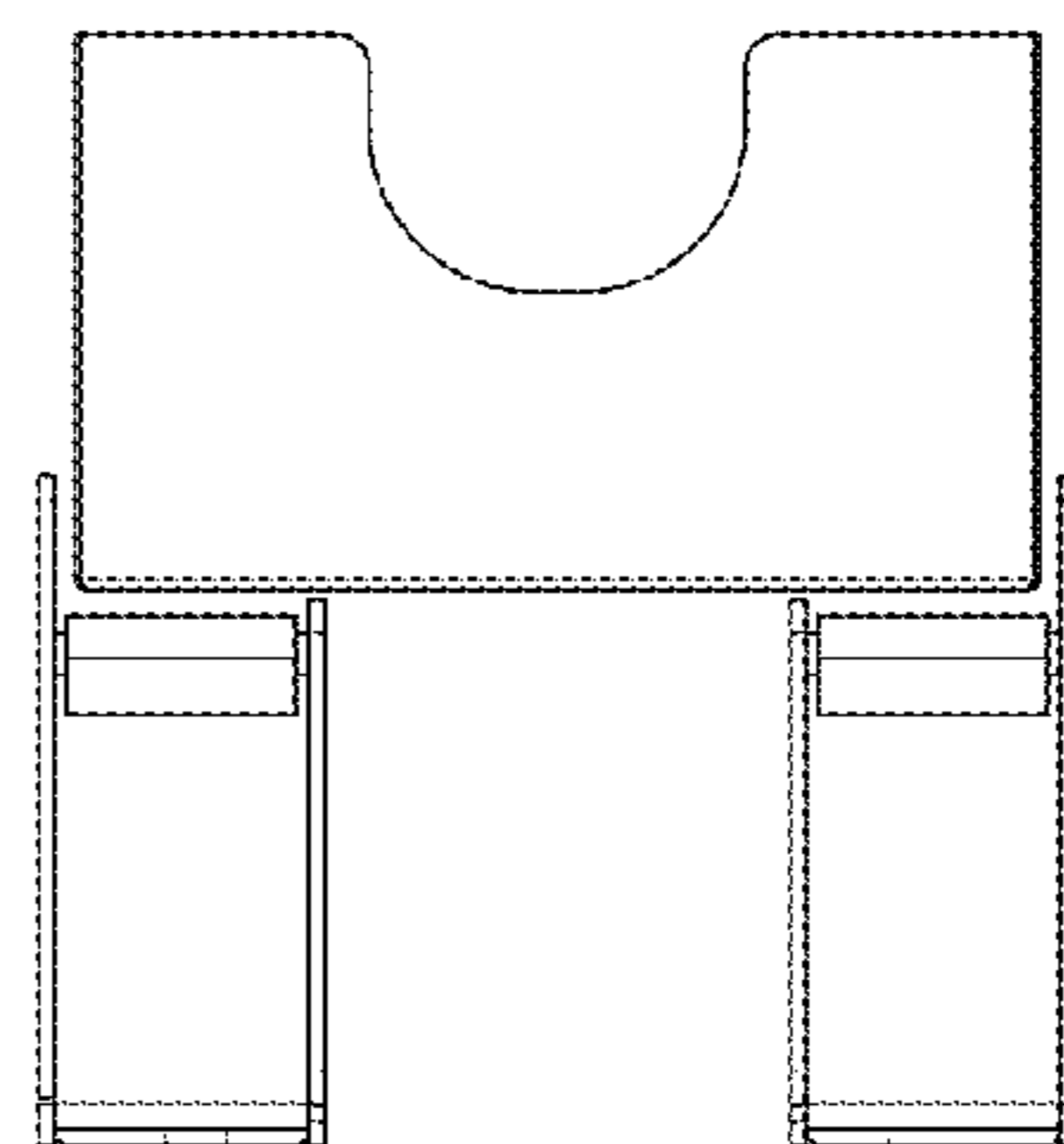


FIG. 5

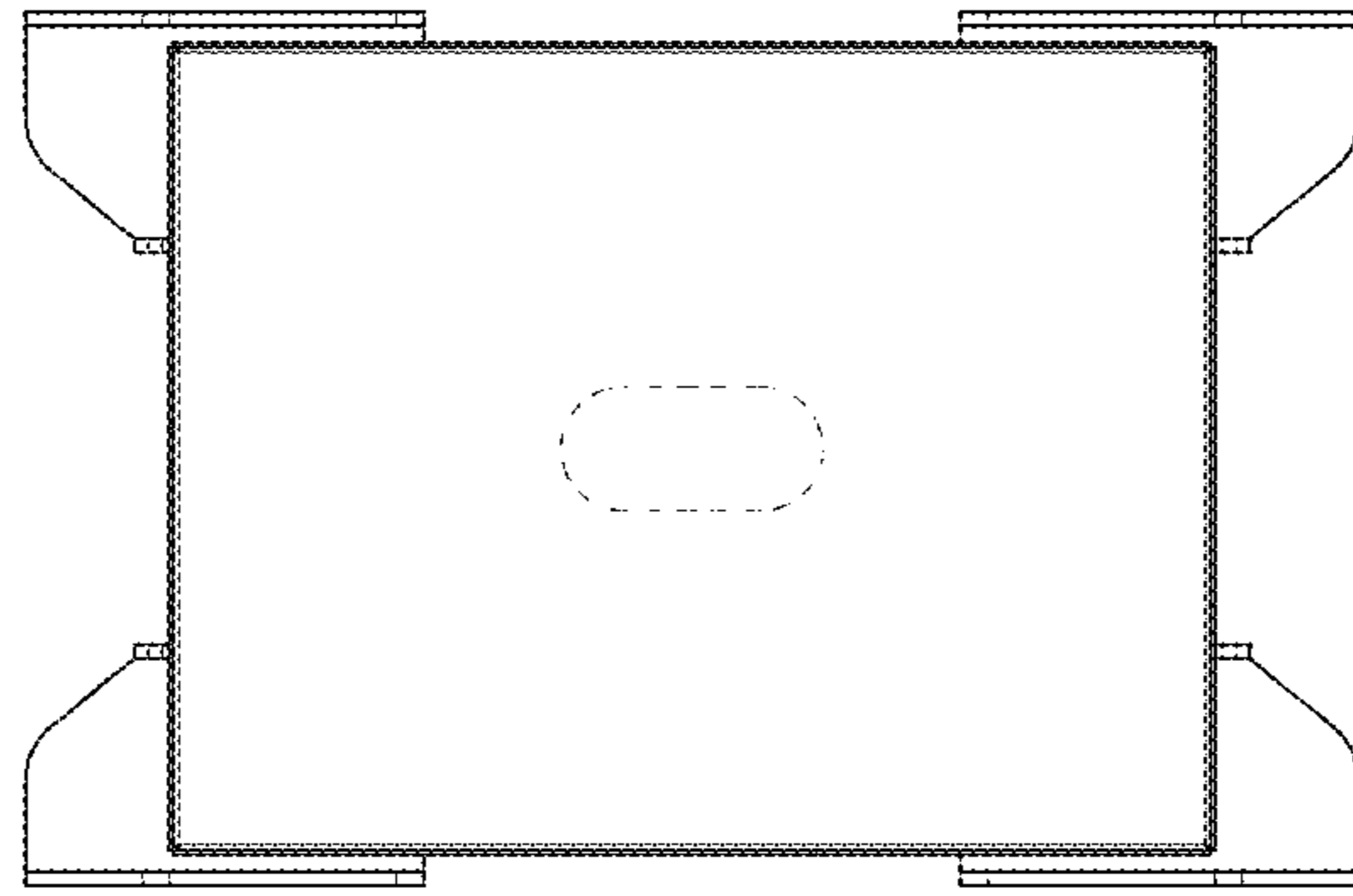


FIG. 6

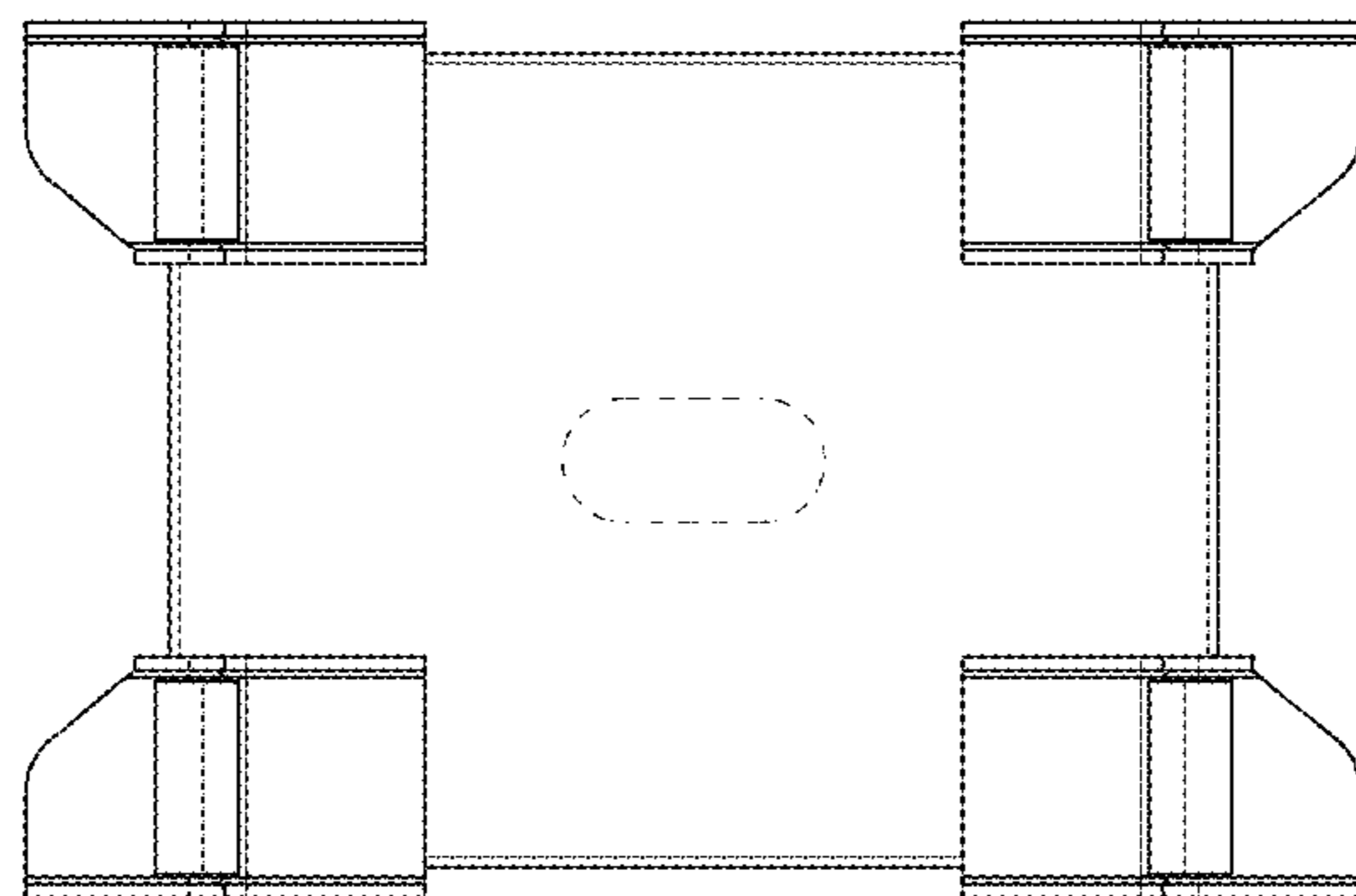


FIG. 7