



US00D759226S

(12) **United States Design Patent**  
**Niki**

(10) **Patent No.:** **US D759,226 S**

(45) **Date of Patent:** **\*\* Jun. 14, 2016**

(54) **AIR CONDITIONER**

(71) Applicant: **Kentarou Niki**, Kusatsu (JP)

(72) Inventor: **Kentarou Niki**, Kusatsu (JP)

(73) Assignee: **DAIKIN INDUSTRIES LTD.**,  
Osaka-Shi, Osaka-Fu (JP)

(\*\*) Term: **14 Years**

(21) Appl. No.: **29/514,457**

(22) Filed: **Jan. 13, 2015**

(30) **Foreign Application Priority Data**

Sep. 8, 2014 (JP) ..... 2014-019835

(51) **LOC (10) Cl.** ..... **23-04**

(52) **U.S. Cl.**  
USPC ..... **D23/351**

(58) **Field of Classification Search**  
USPC ..... D23/324-327, 332-334, 342-344,  
D23/351-354, 370, 385, 388; 165/121;  
454/284; 62/259.1, 298, 407

CPC ..... F24F 13/08; F24F 13/15; F24F 13/1413;  
F24F 1/00; F24F 1/27; F24F 2001/0048

See application file for complete search history.

(56) **References Cited**

**U.S. PATENT DOCUMENTS**

D310,711 S \* 9/1990 Welch ..... D23/325  
D311,244 S \* 10/1990 Allard ..... D23/325  
D558,866 S \* 1/2008 Yamamoto ..... D23/351  
D700,306 S \* 2/2014 Seki ..... D23/351  
D700,307 S \* 2/2014 Seki ..... D23/351  
D720,062 S \* 12/2014 Guojie ..... D23/351

D720,445 S \* 12/2014 Murai ..... D23/351  
D720,842 S \* 1/2015 Chouji ..... D23/351  
D740,404 S \* 10/2015 Li ..... F24F 13/20  
454/284  
D744,076 S \* 11/2015 Xu ..... D23/351  
2012/0122389 A1\* 5/2012 Kishimoto ..... F24F 1/0007  
454/284  
2015/0300678 A1\* 10/2015 Niimura

**OTHER PUBLICATIONS**

Kinja-img.com [online]. Retrieved on Mar. 22, 2016 from URL:  
[http://i.kinja-img.com/gawker-media/image/upload/s--nv5IVkrA--/c\\_fit,fl\\_progressive,q\\_80,w\\_636/18mbayic8cen0jpg.jpg](http://i.kinja-img.com/gawker-media/image/upload/s--nv5IVkrA--/c_fit,fl_progressive,q_80,w_636/18mbayic8cen0jpg.jpg)\*

\* cited by examiner

*Primary Examiner* — Susan Bennett Hattan

*Assistant Examiner* — Keith Wilson

(74) *Attorney, Agent, or Firm* — Manabu Kanesaka

(57) **CLAIM**

The ornamental design for an air conditioner, as shown and described.

**DESCRIPTION**

FIG. 1 is a perspective view of an air conditioner showing my new design;

FIG. 2 is a front view thereof;

FIG. 3 is a rear view thereof;

FIG. 4 is a plan view thereof;

FIG. 5 is a bottom view thereof;

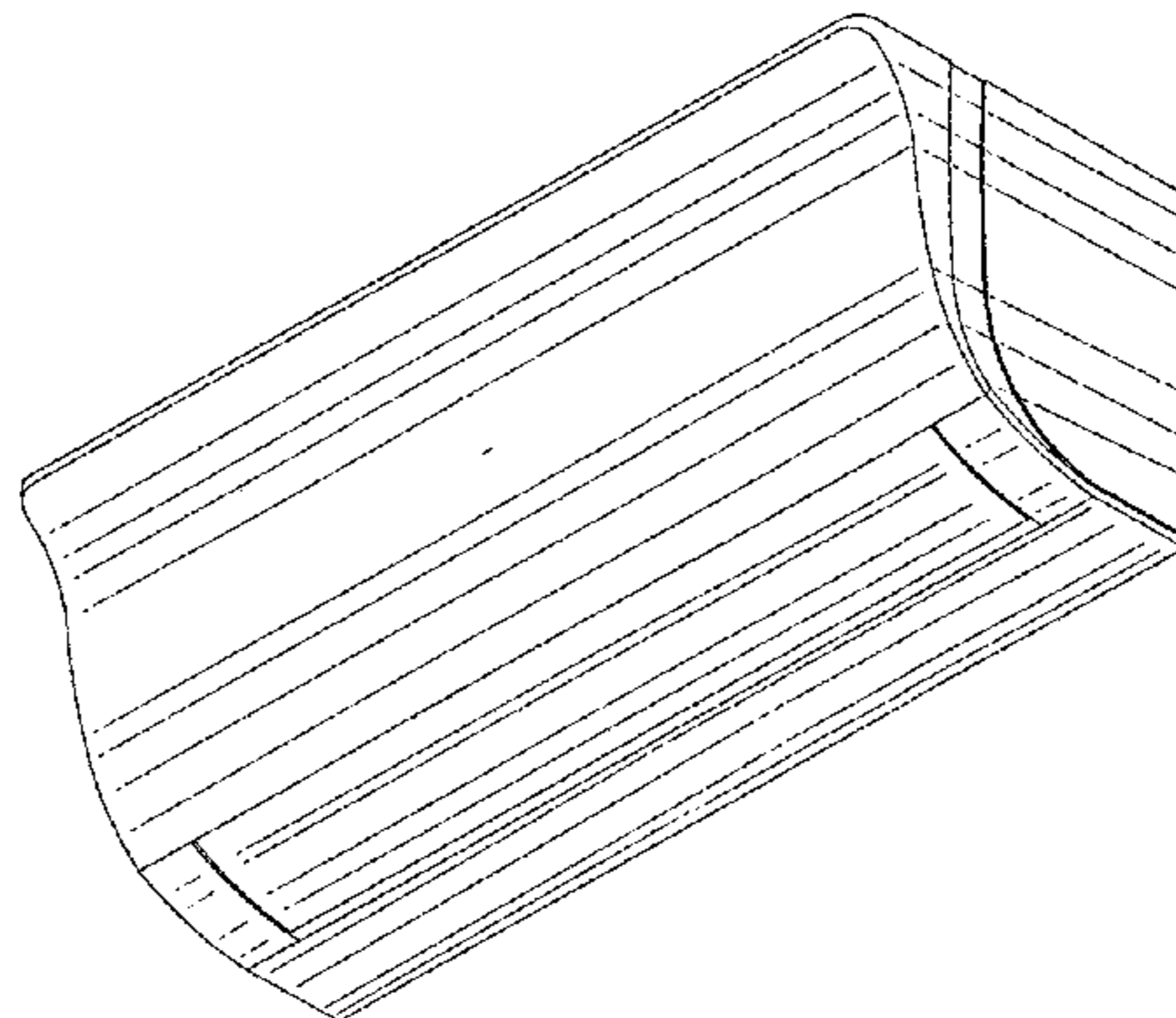
FIG. 6 is a left side view thereof;

FIG. 7 is a right side view thereof; and,

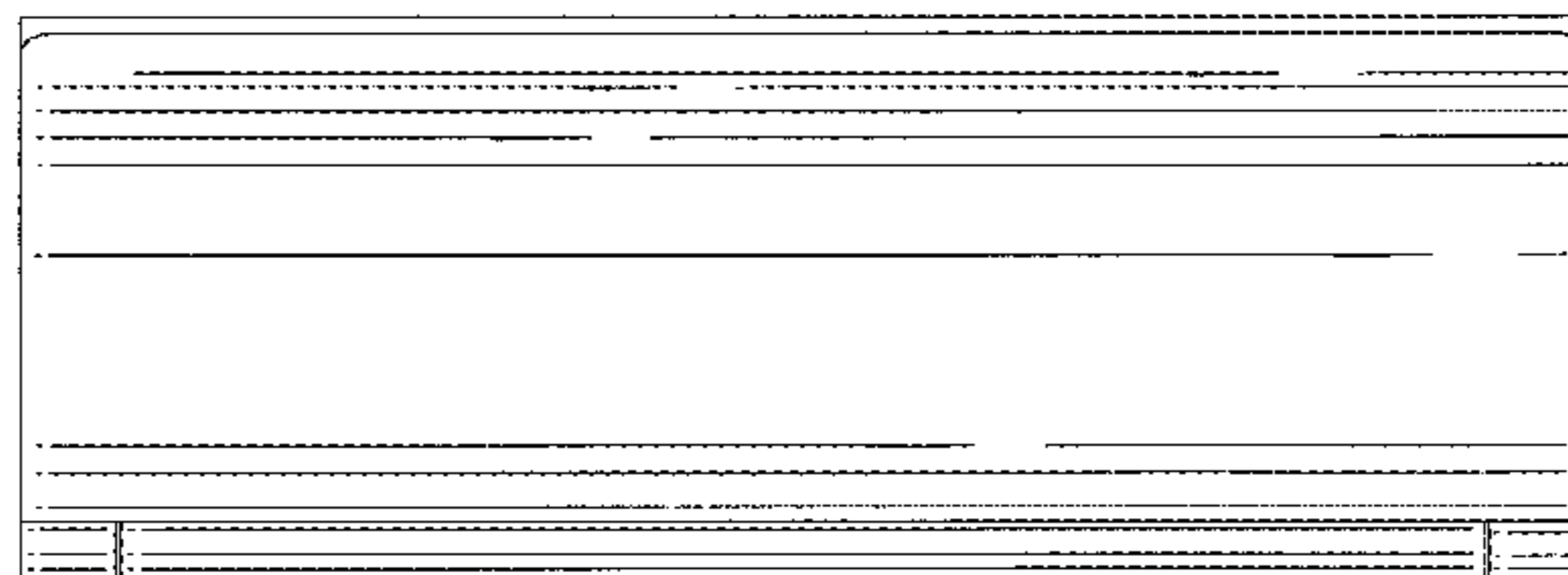
FIG. 8 is a cross-sectional view thereof along the line 8-8 in FIG. 2.

The broken lines depict portions of the air conditioner that form no part of claimed design.

**1 Claim, 3 Drawing Sheets**



8 ↖



8 ↘

Fig. 1

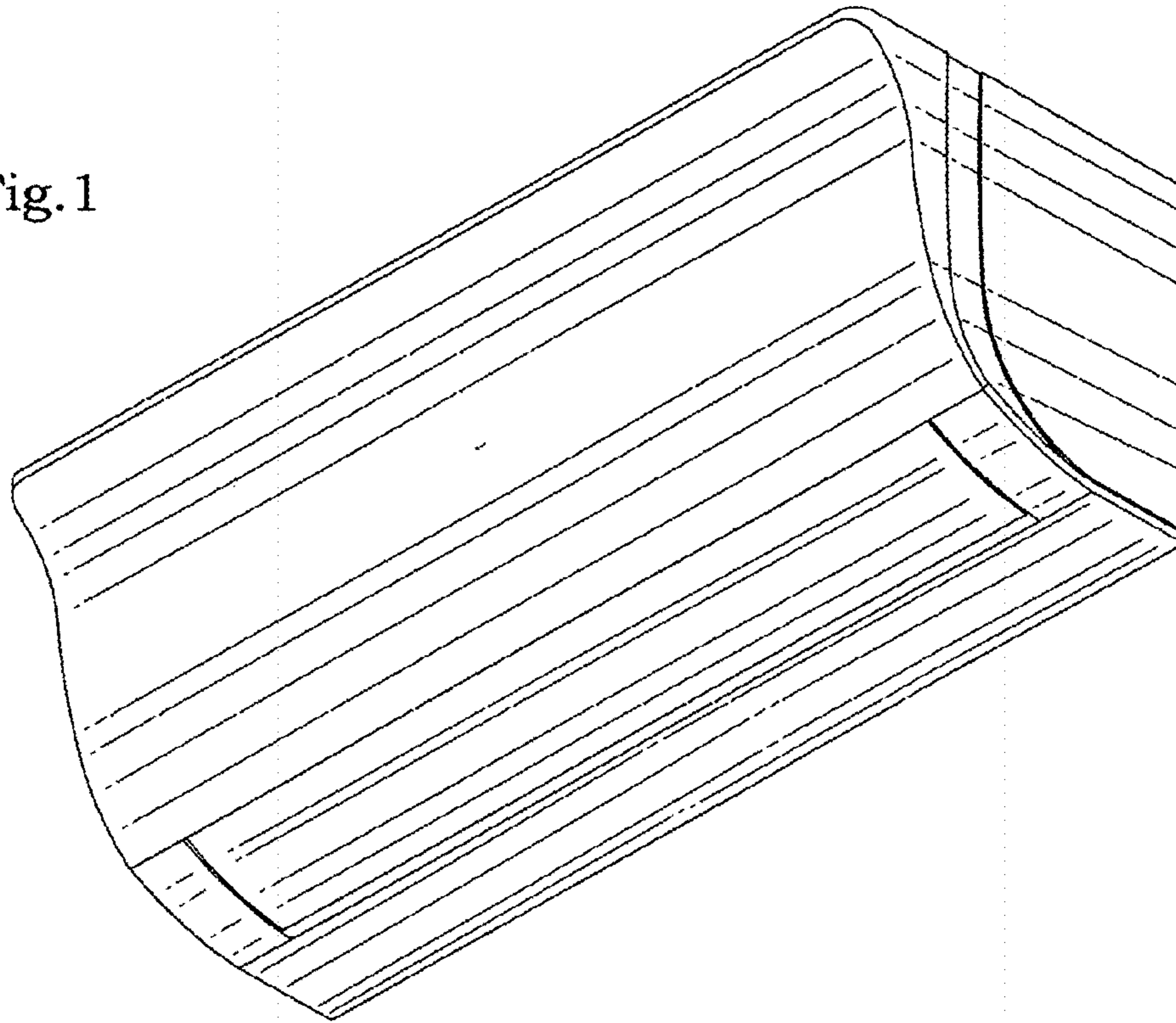
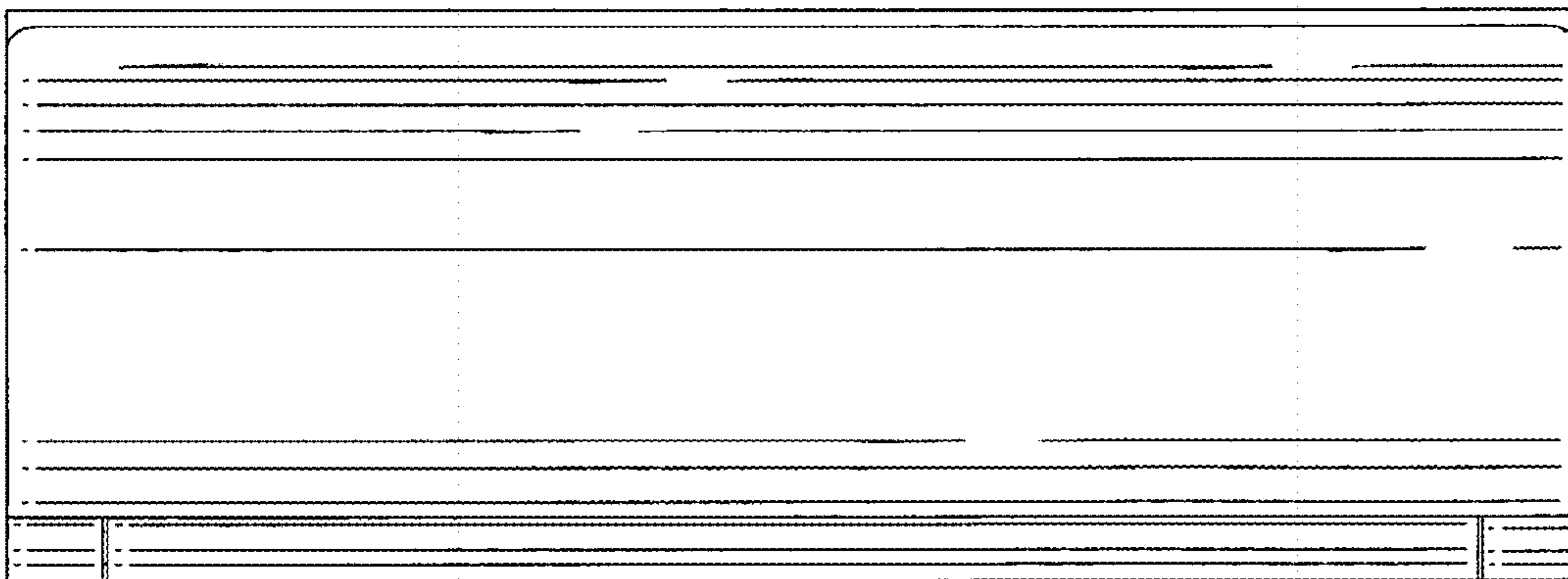


Fig. 2

8 ↙



8 ↘

Fig.3

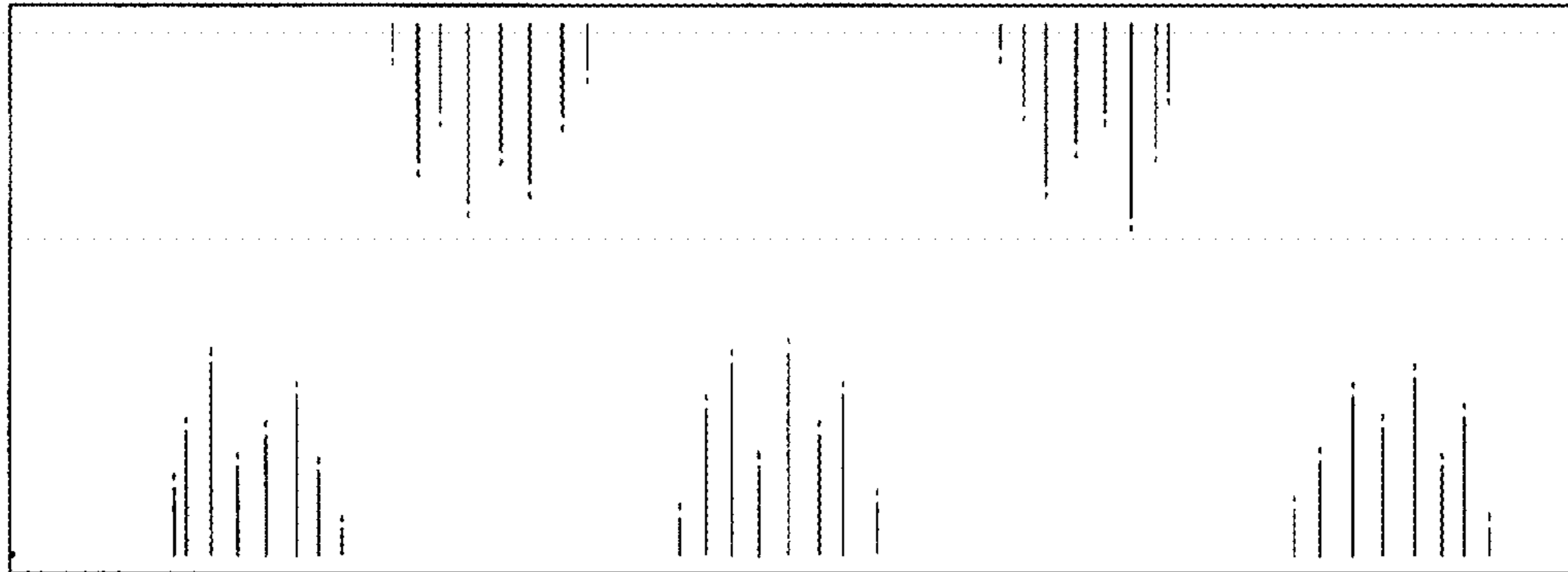


Fig.4

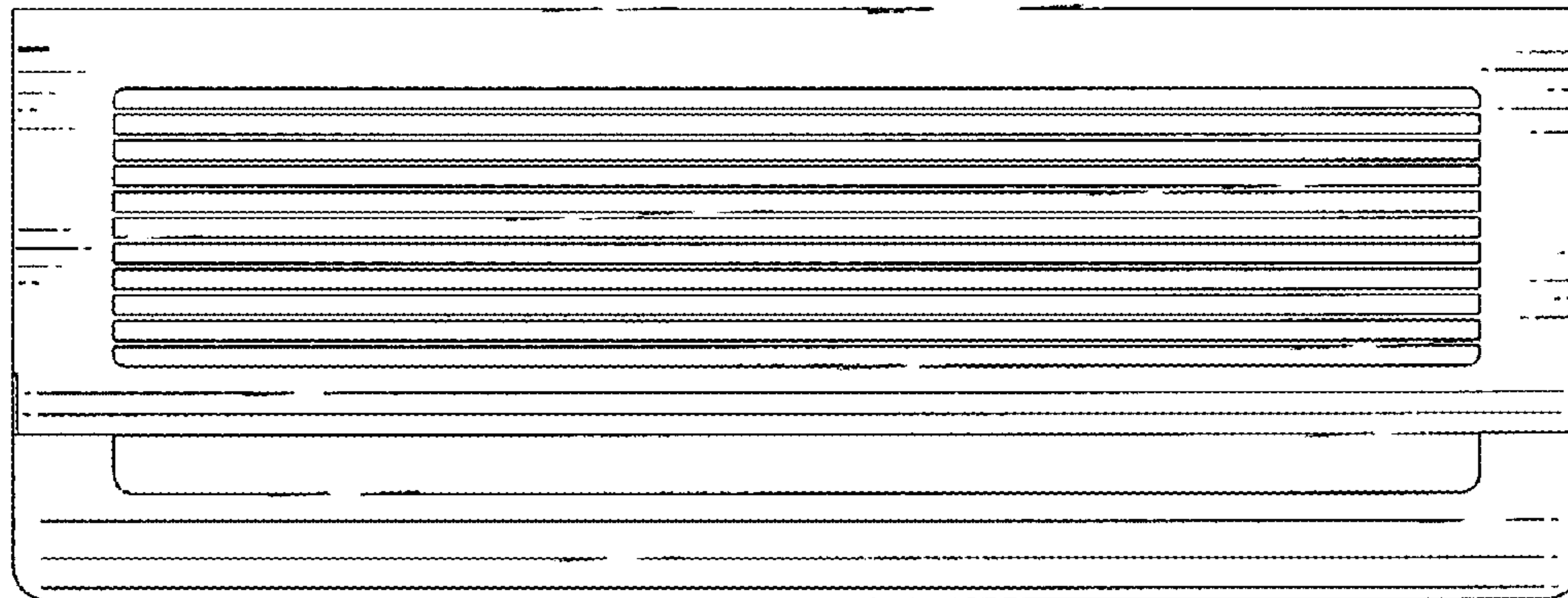


Fig.5

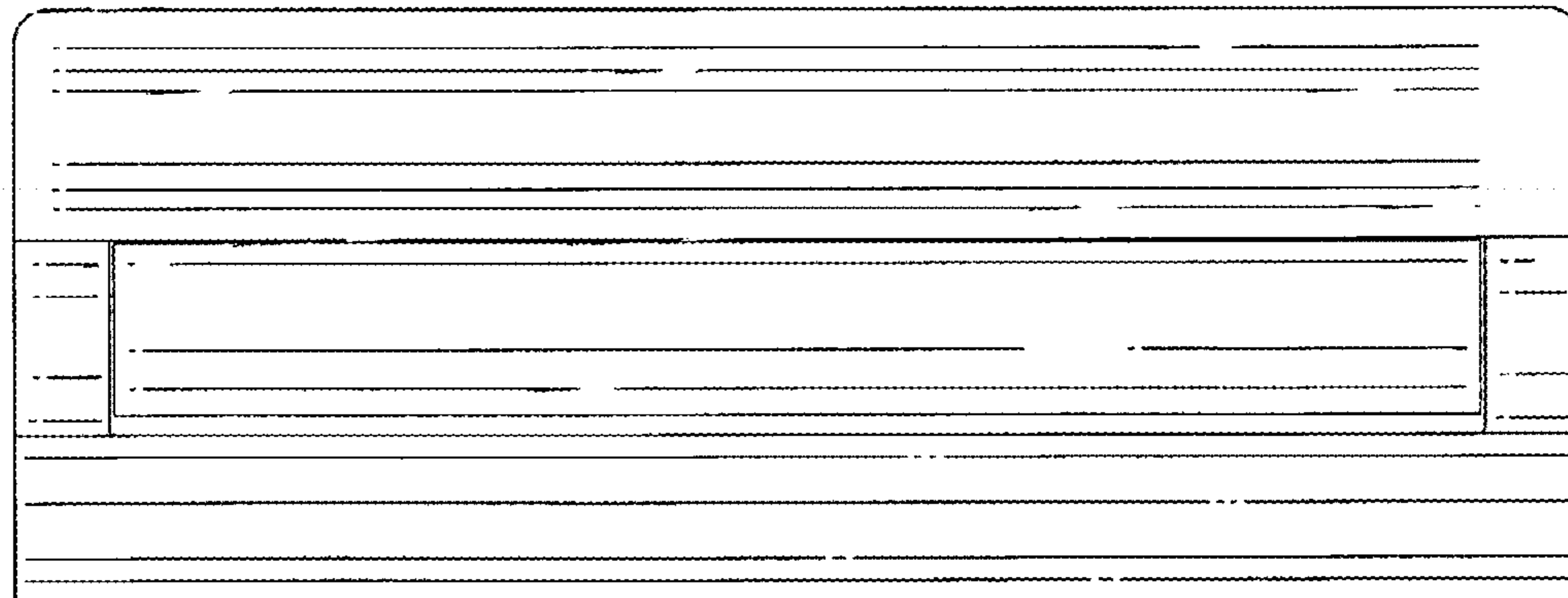


Fig.6

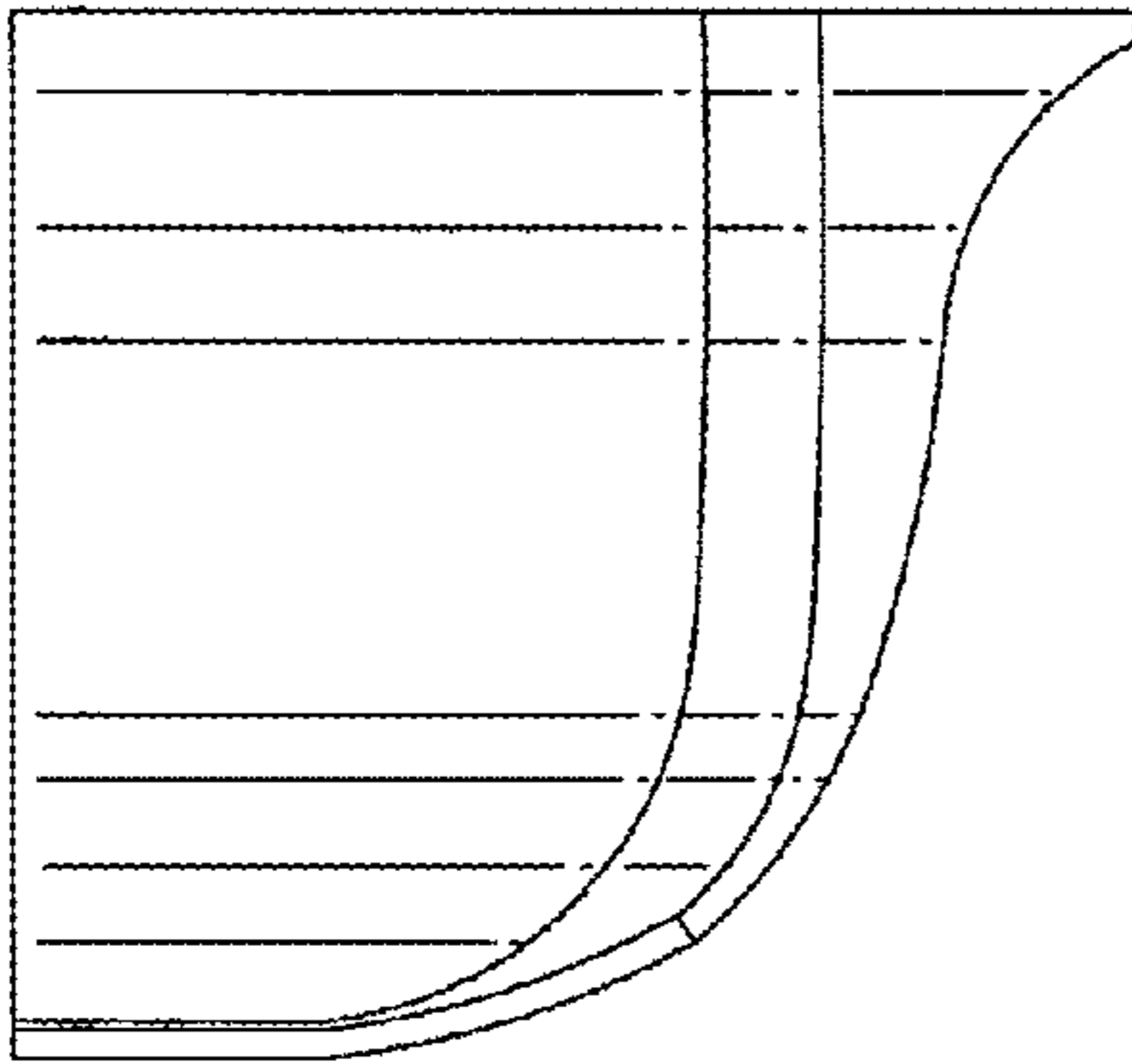


Fig.7

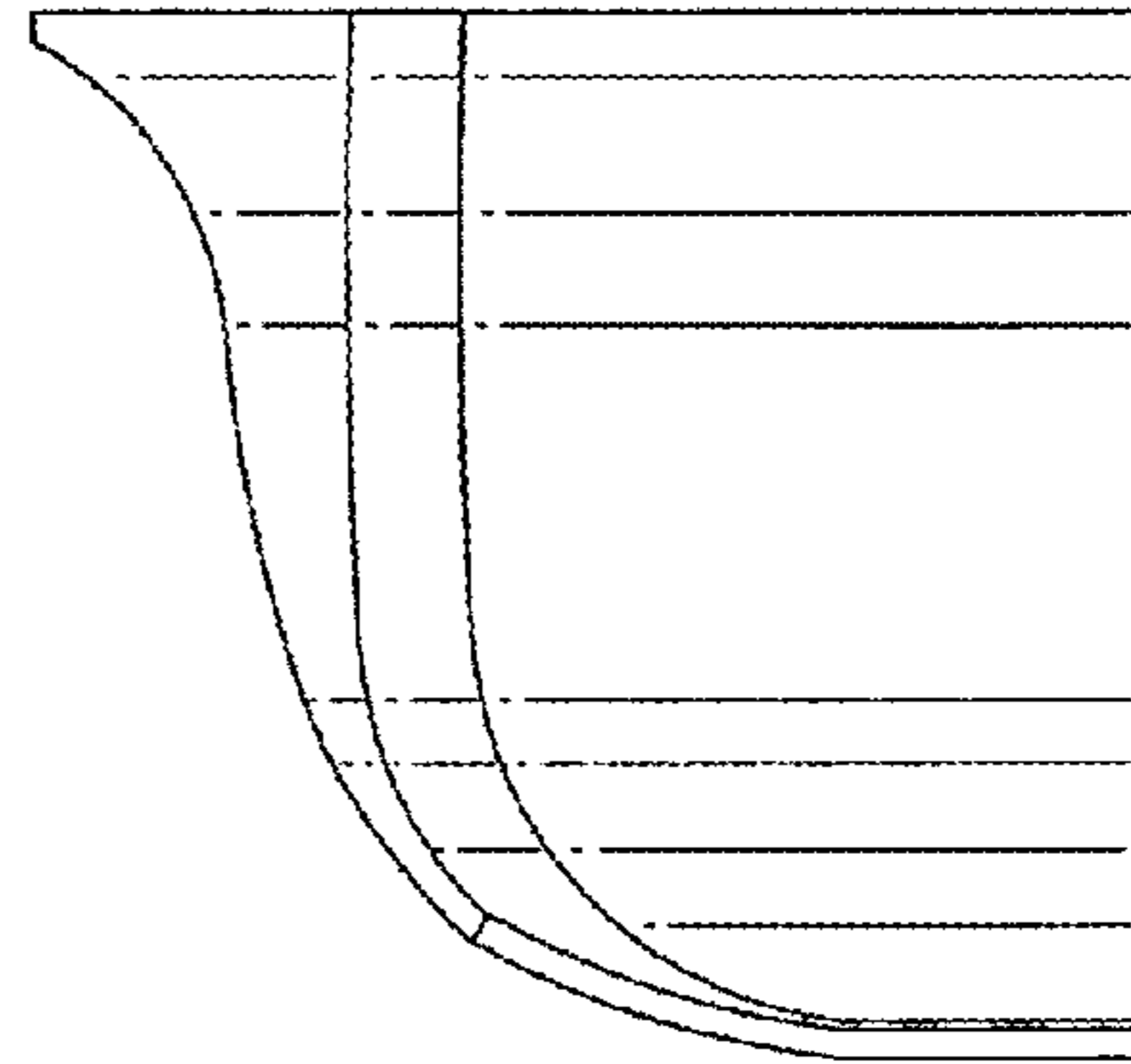


Fig.8

