



US00D759216S

(12) **United States Design Patent**
Kozak

(10) **Patent No.:** **US D759,216 S**
(45) **Date of Patent:** **** Jun. 14, 2016**

(54) **HOSE MENDER**

(71) Applicant: **Fairview Fittings and Manufacturing Inc.**, North Tonawanda, NY (US)

(72) Inventor: **Joe Byron Kozak**, Hamilton (CA)

(73) Assignee: **FAIRVIEW FITTINGS AND MANUFACTURING INC.**, North Tonawanda, NY (US)

(**) Term: **14 Years**

(21) Appl. No.: **29/479,280**

(22) Filed: **Jan. 14, 2014**

(51) **LOC (10) Cl.** **23-01**

(52) **U.S. Cl.**
USPC **D23/266**

(58) **Field of Classification Search**
USPC D23/259-269; D8/382, 387
CPC F16L 19/02; F16L 19/028; F16L 19/0225;
F16L 19/025; F16L 9/00; F16L 27/00; F02M
55/02; F02M 55/00; F02M 55/025; F02M
55/005

See application file for complete search history.

(56) **References Cited**

U.S. PATENT DOCUMENTS

D56,927 S *	1/1921	Humphrey	D23/262
D57,343 S *	3/1921	Humphrey	D23/262
D254,863 S *	4/1980	Hayes	D23/262
D262,969 S *	2/1982	Howes	239/533.12
D282,962 S *	3/1986	Gerber	285/239
D333,178 S *	2/1993	Novy	285/239
D396,730 S *	8/1998	Schaupp	D23/259
D406,881 S *	3/1999	Kuwabara	D23/262
D413,967 S *	9/1999	Yuen	D23/262
D451,174 S *	11/2001	Patteson	D23/262
D451,584 S *	12/2001	Patteson	D23/262
D530,796 S *	10/2006	Zielke	D23/262
D584,802 S *	1/2009	Goodridge	D23/262
D597,637 S *	8/2009	Krohmer	D23/266
D607,546 S *	1/2010	Forsythe	D23/262
D608,422 S *	1/2010	Forsythe	D23/262
D608,423 S *	1/2010	Forsythe	D23/262

D608,424 S *	1/2010	Katsuta	D23/266
D726,289 S *	4/2015	Mahmood	D23/266
D733,842 S *	7/2015	Allred	D23/259
D736,359 S *	8/2015	Melo	D23/262
D738,471 S *	9/2015	Melo	D23/262
D744,072 S *	11/2015	Wildfang	D23/266
D746,959 S *	1/2016	Kury	D23/266
D747,785 S *	1/2016	Ruprecht	D23/262
D748,763 S *	2/2016	Berardi	D23/262
D748,764 S *	2/2016	Berardi	D23/262
D749,195 S *	2/2016	Otaka	D15/5
D749,196 S *	2/2016	Otaka	D15/5

OTHER PUBLICATIONS

Hose End Kit for 3/8" ID Air Brake Hose, Tramec Inc., 2012, 1 page.

* cited by examiner

Primary Examiner — Eric Goodman

Assistant Examiner — Daniel J Domino

(74) *Attorney, Agent, or Firm* — Hodgson Russ LLP

(57) **CLAIM**

The ornamental design for a hose mender, as shown and described.

DESCRIPTION

A portion of the disclosure of this patent document contains material which is subject to copyright protection. This patent document may show and/or describe matter which is or may become trade dress of the owner. The copyright and trade dress owner has no objection to the facsimile reproduction by anyone of the patent disclosure as it appears in the Patent and Trademark Office patent files or records, but otherwise reserves all copyright and trade dress rights whatsoever.

FIG. 1 is an exploded front perspective view of a first embodiment of the hose mender, the hose mender including a barb and a ring;

FIG. 2 is a top view thereof, the hose mender shown in an assembled position on an exemplary hose, the bottom view being mirror symmetrical thereof;

FIG. 3 is another view thereof, showing a sectional view of the ring portion taken along the line 3-3 of FIG. 7;

FIG. 4 is a top view of the barb shown in FIG. 1;

FIG. 5 is a rear view thereof;

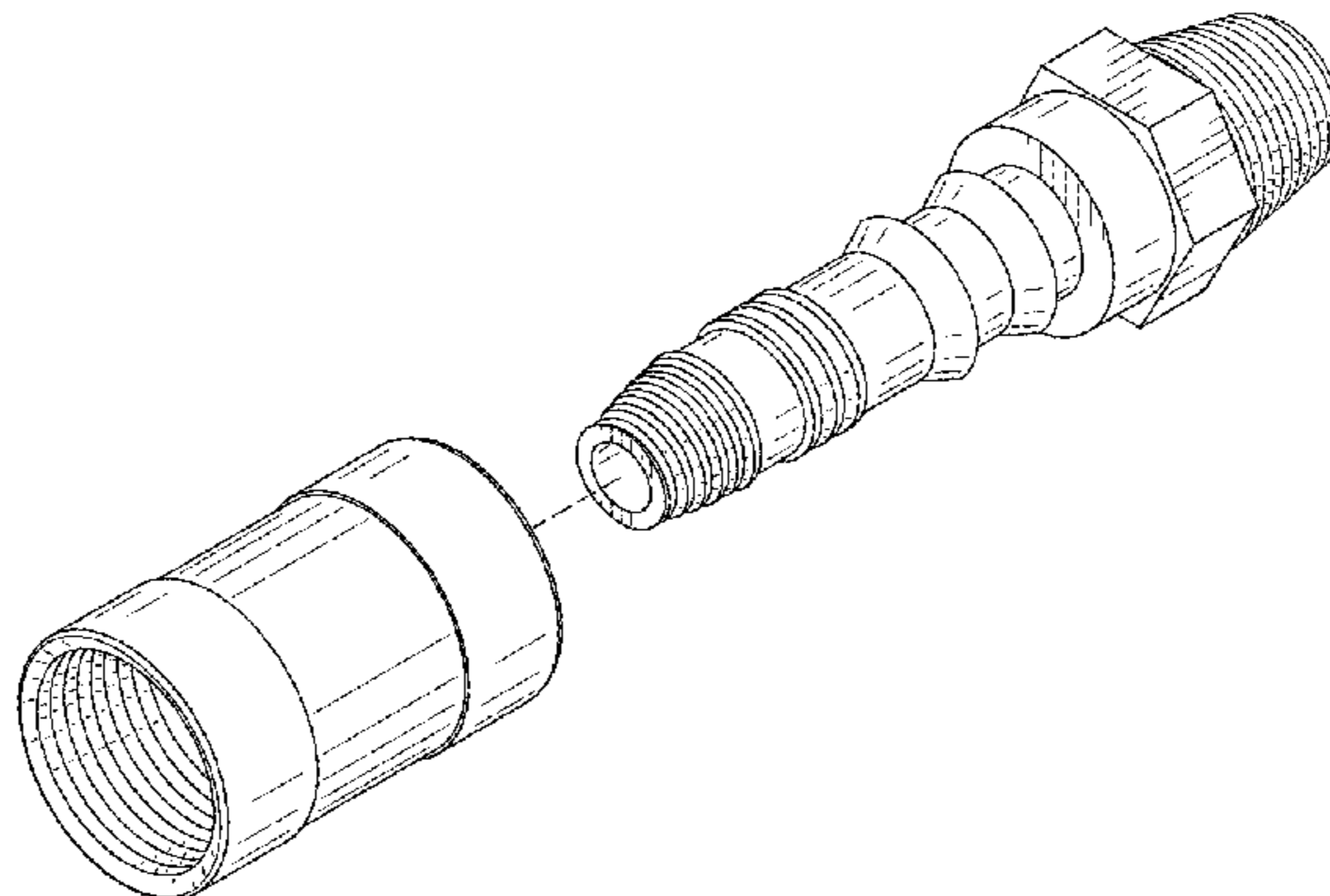


FIG. 6 is a front view thereof;
FIG. 7 is a top view of the ring shown in FIG. 1;
FIG. 8 is a sectional view of the ring taken along the line 3-3 of FIG. 7;
FIG. 9 is a rear view of the ring shown in FIG. 1;
FIG. 10 is a front view thereof;
FIG. 11 is an exploded front perspective view of a second embodiment of the hose mender, the hose mender including a barb and a ring;
FIG. 12 is a top view thereof, the hose mender shown in an assembled position on an exemplary hose, the bottom view being mirror symmetrical thereof;
FIG. 13 is another view thereof, showing a sectional view of the ring portion taken along the line 13-13 of FIG. 17;
FIG. 14 is a top view of the barb shown in FIG. 11;
FIG. 15 is a rear view thereof;
FIG. 16 is a front view thereof;
FIG. 17 is a top view of the ring shown in FIG. 11;
FIG. 18 is a sectional view of the ring taken along the line 13-13 of FIG. 17;
FIG. 19 is a rear view of the ring shown in FIG. 11;

FIG. 20 is a front view thereof;
FIG. 21 is an exploded front perspective view of a third embodiment of the hose mender, the hose mender including a barb and a ring;
FIG. 22 is a top view thereof, the hose mender shown in an assembled position on an exemplary hose, the bottom view being mirror symmetrical thereof;
FIG. 23 is another view thereof, showing a sectional view of the ring portion taken along the line 23-23 of FIG. 27;
FIG. 24 is a top view of the barb shown in FIG. 21;
FIG. 25 is a rear view thereof;
FIG. 26 is a front view thereof;
FIG. 27 is a top view of the ring shown in FIG. 11;
FIG. 28 is a sectional view of the ring taken along the line 23-23 of FIG. 27;
FIG. 29 is a rear view of the ring shown in FIG. 21; and,
FIG. 30 is a front view thereof.
The broken lines shown in the drawing are for the purpose of illustrating environmental structure and form no part of the claimed design.

1 Claim, 6 Drawing Sheets

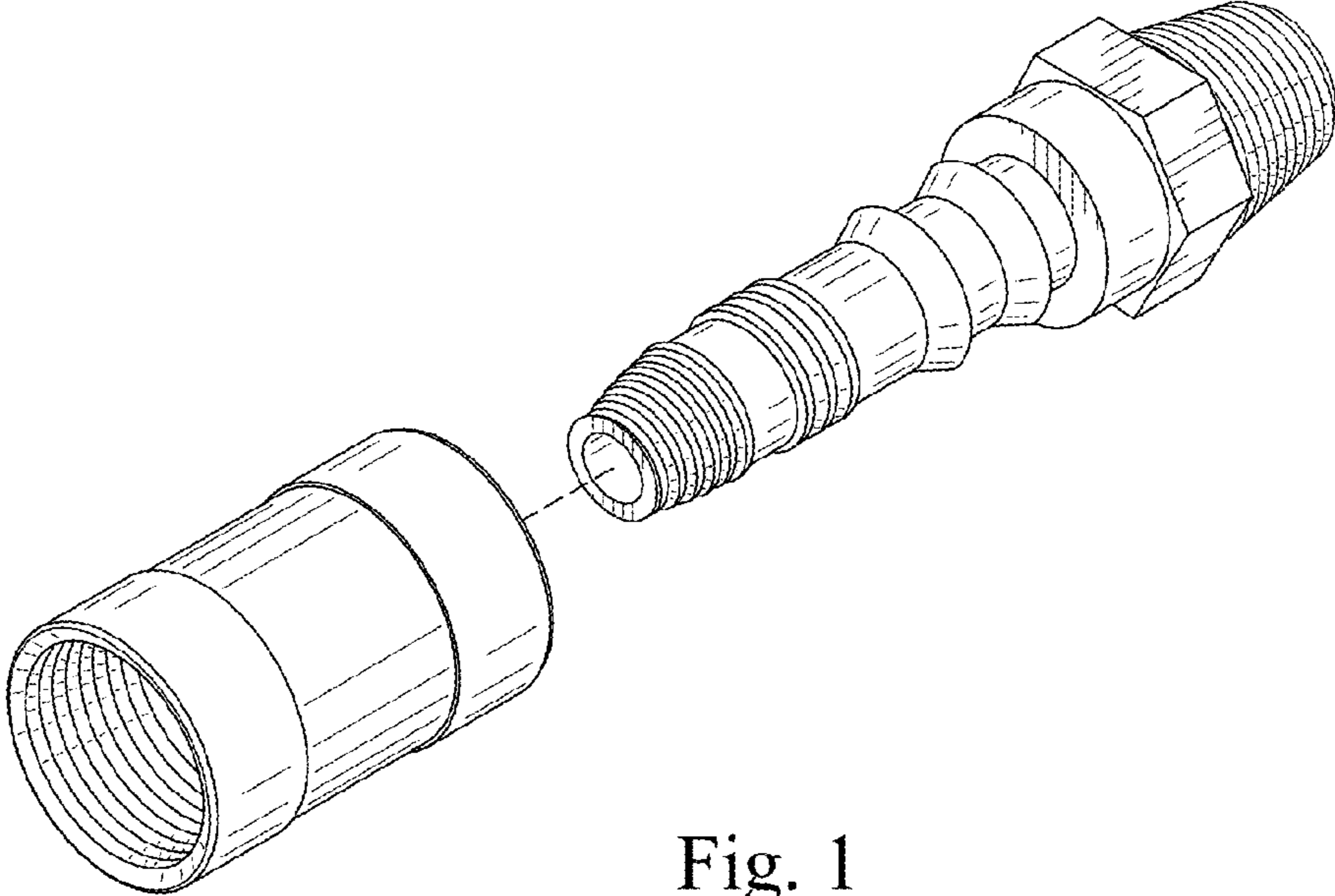


Fig. 1

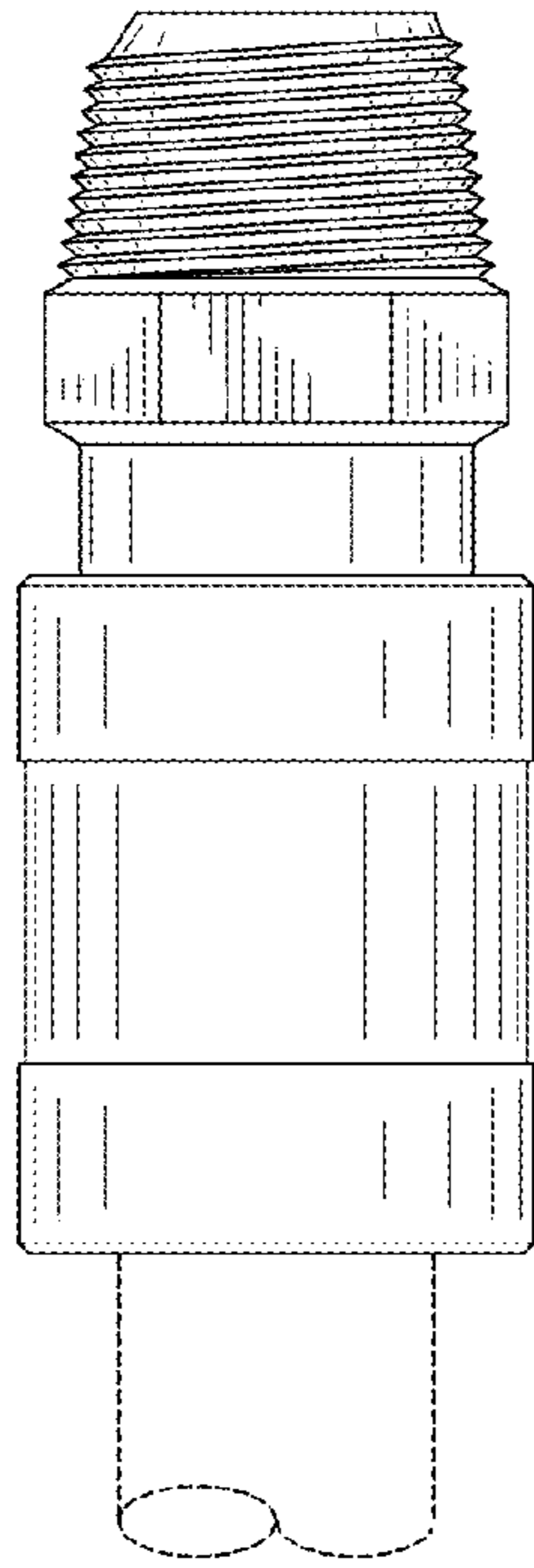


Fig. 2

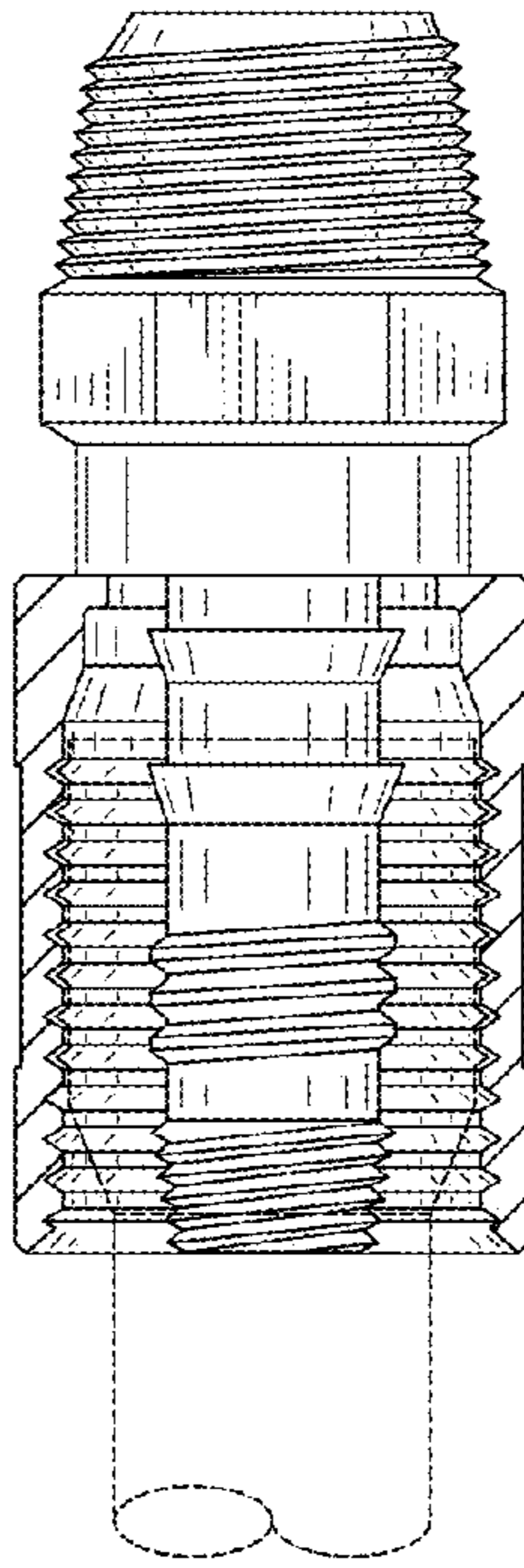


Fig. 3

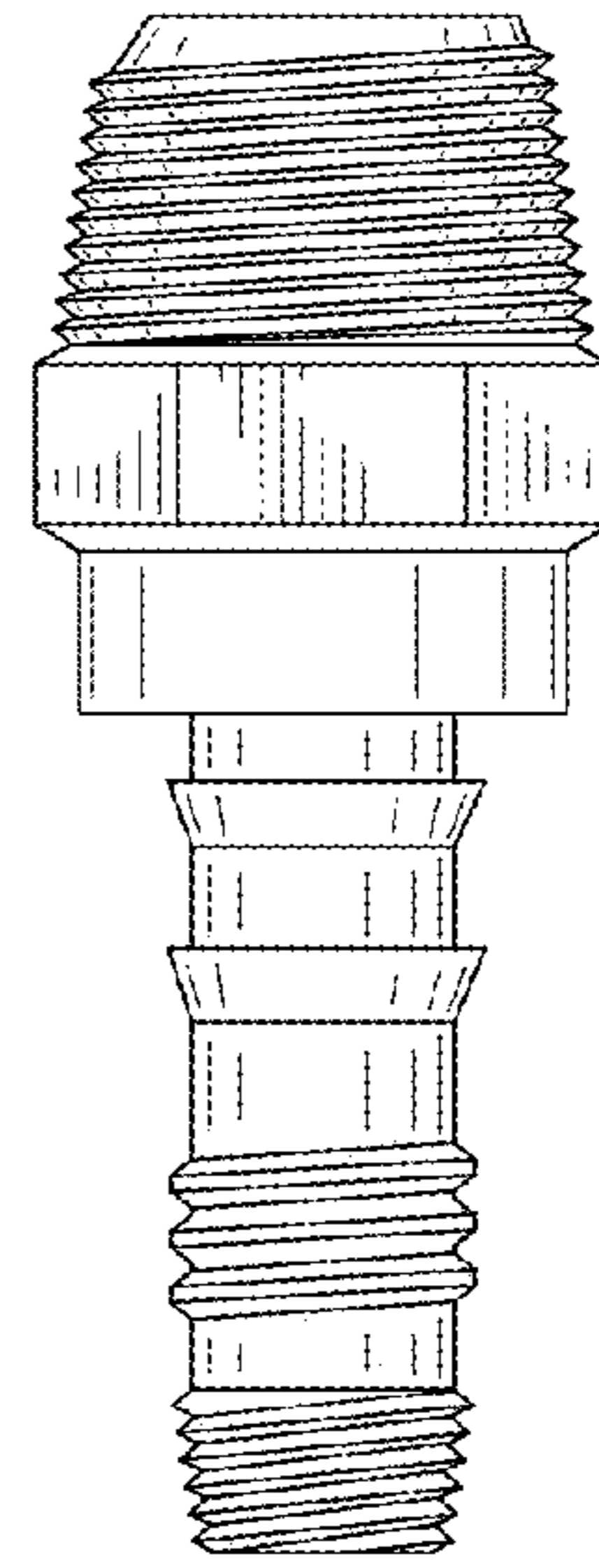


Fig. 4

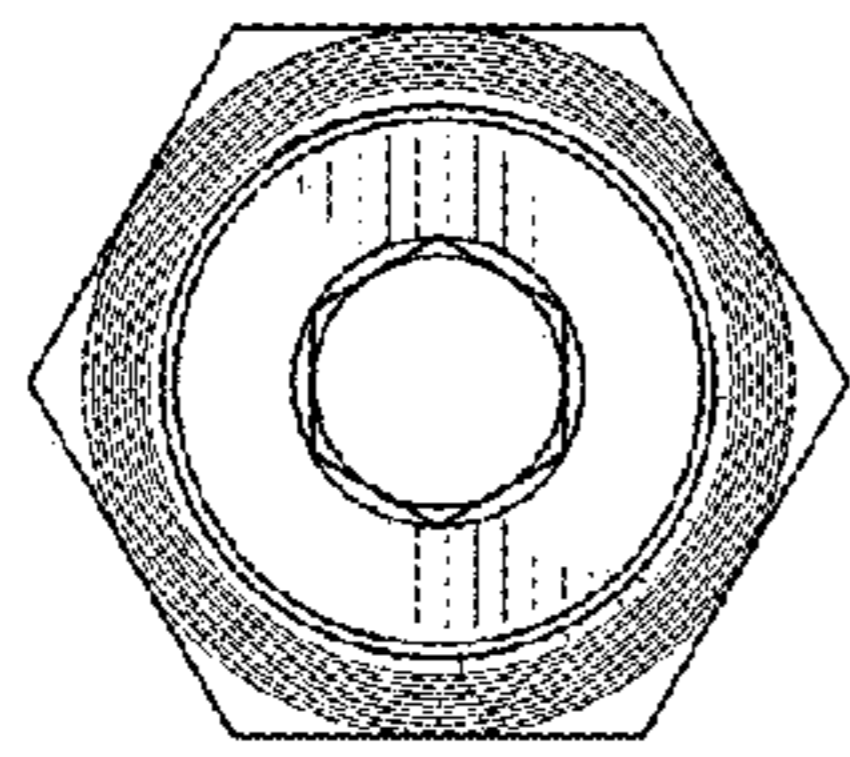


Fig. 5

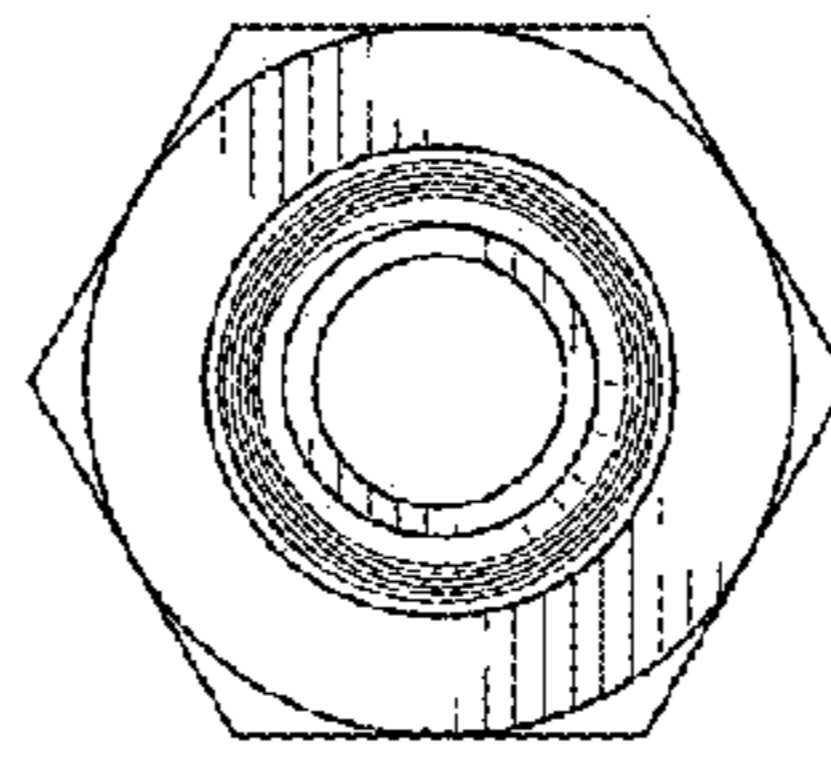


Fig. 6

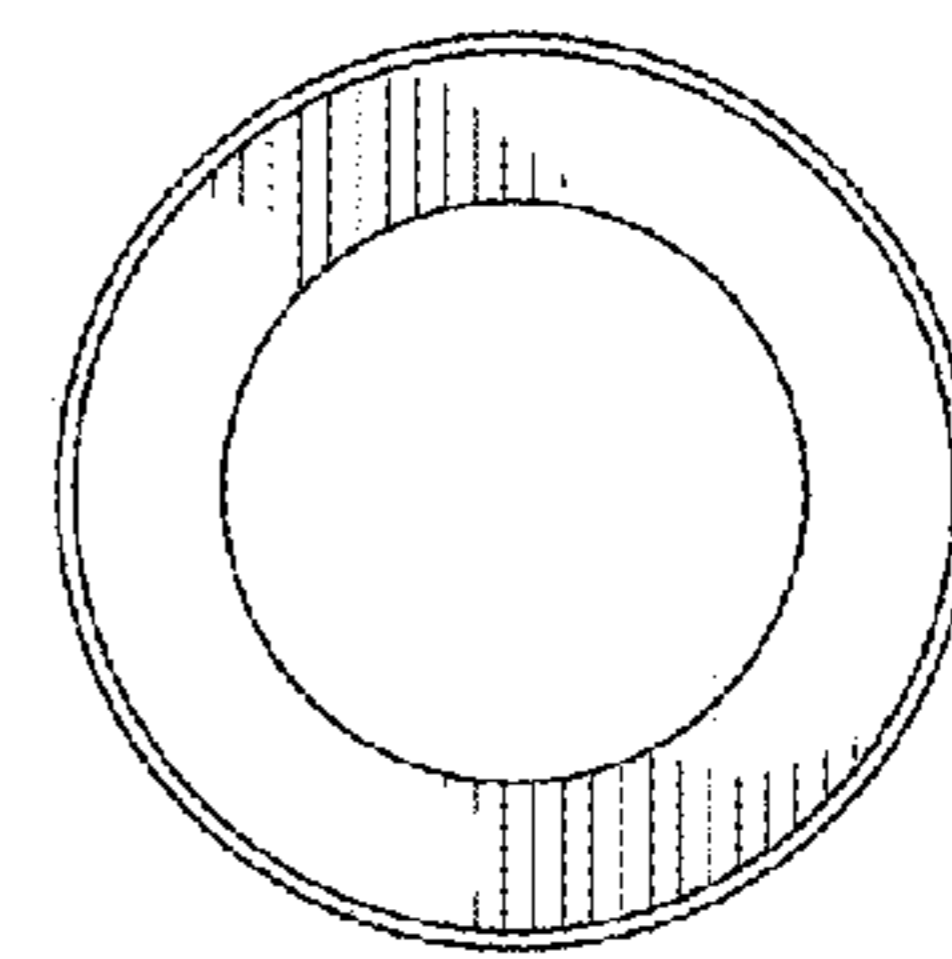


Fig. 9

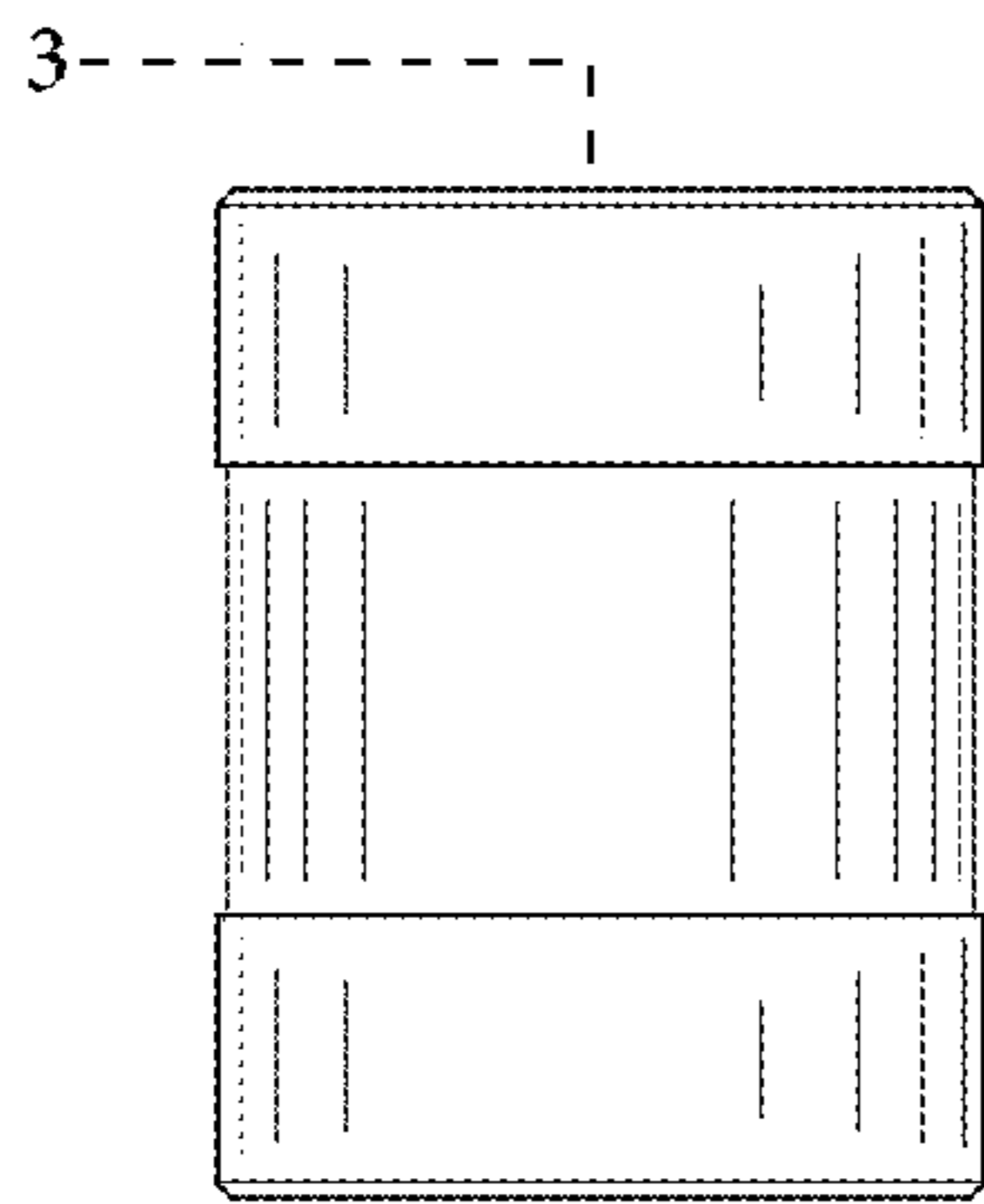


Fig. 7

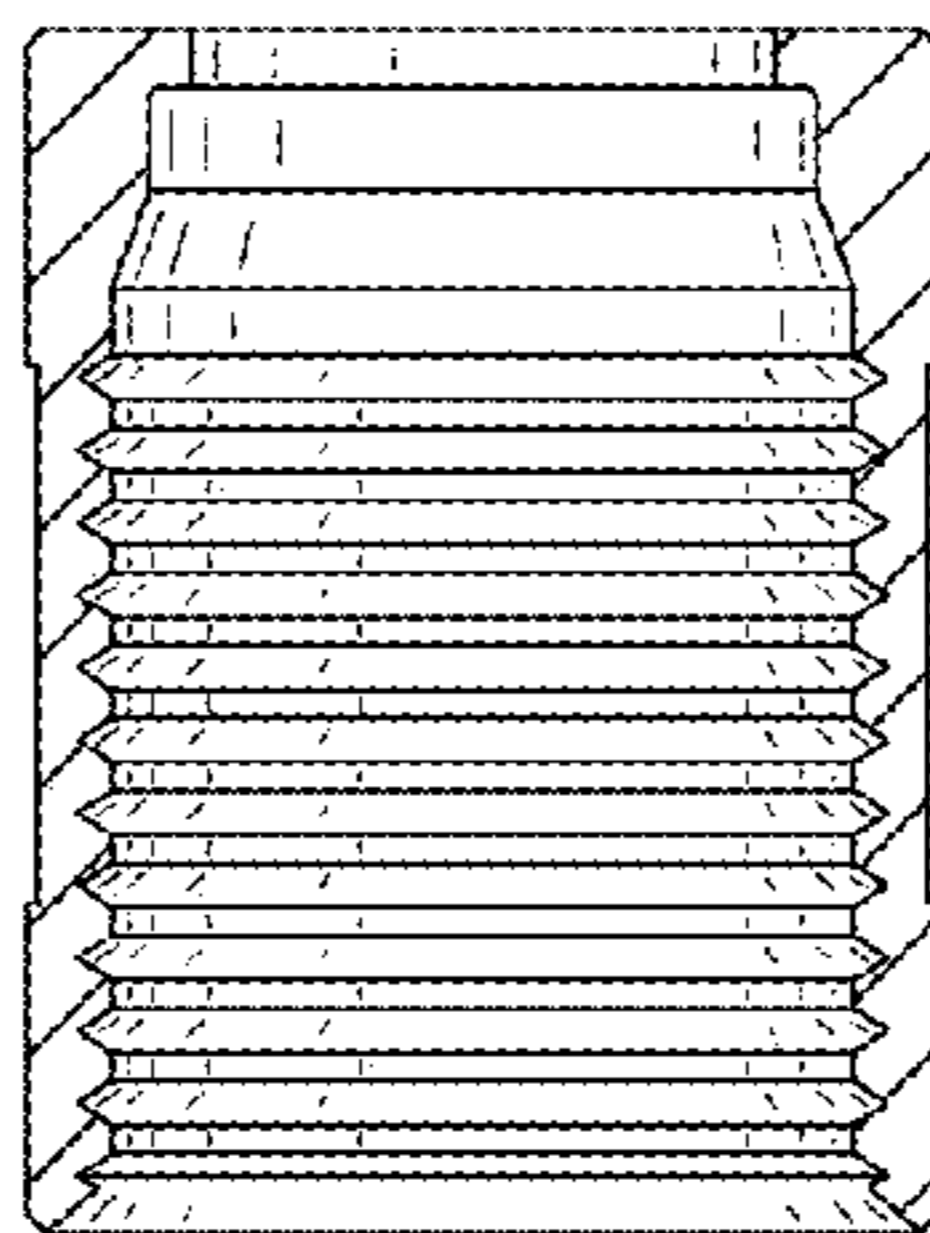


Fig. 8

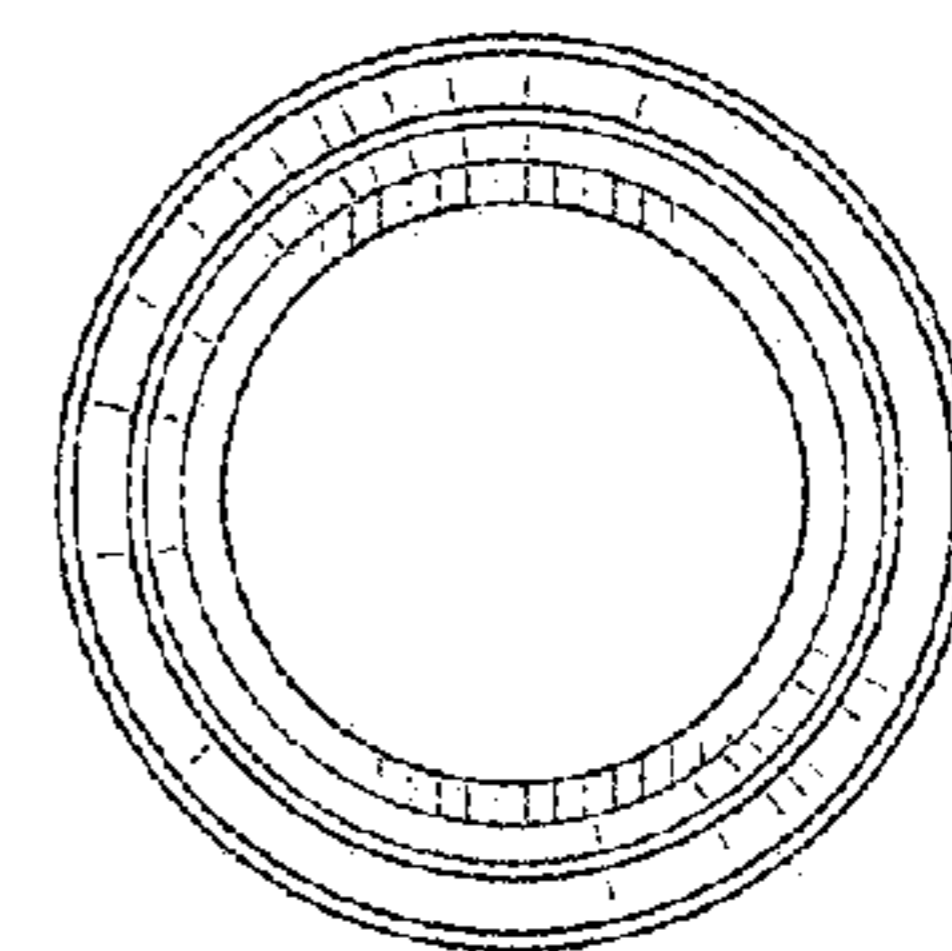


Fig. 10

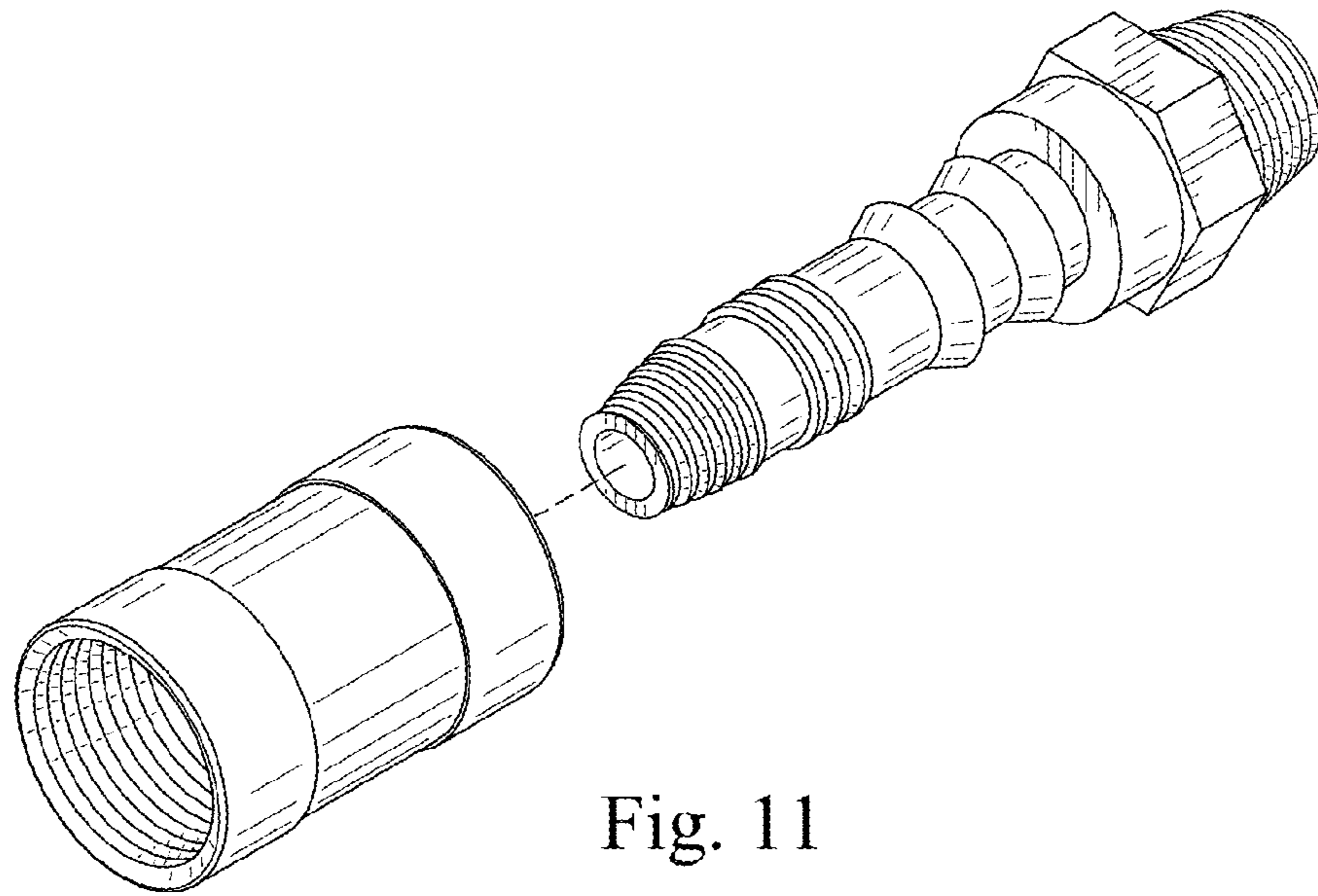


Fig. 11

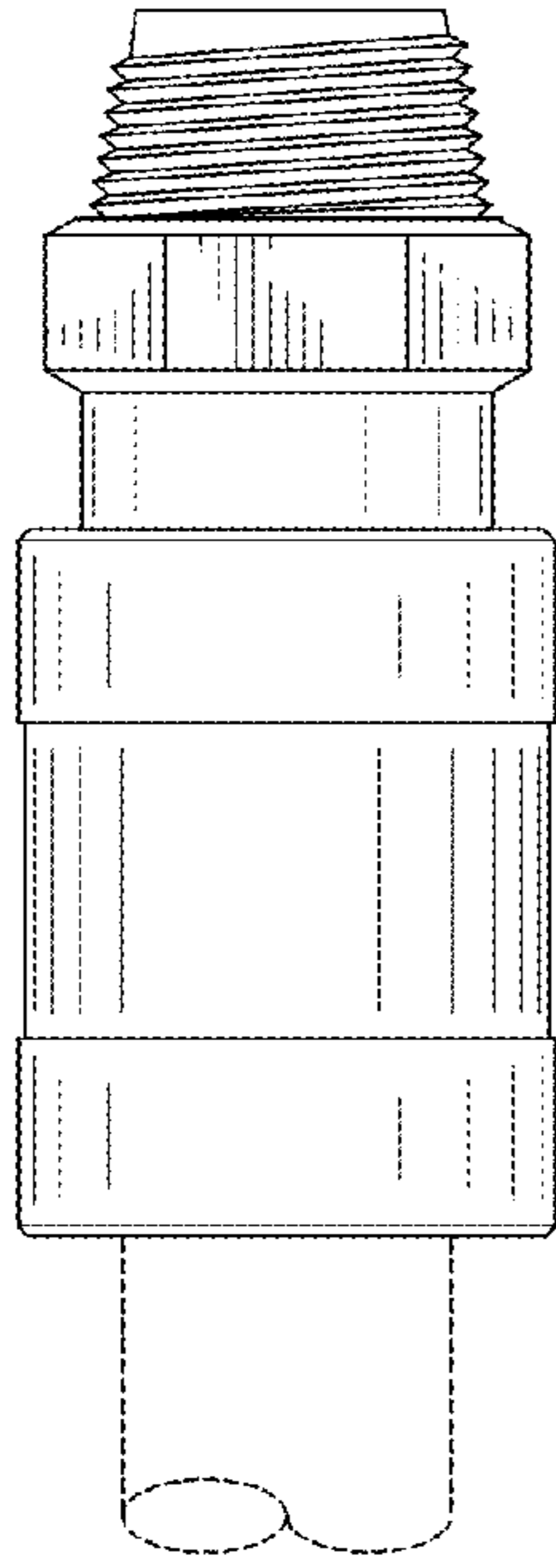


Fig. 12

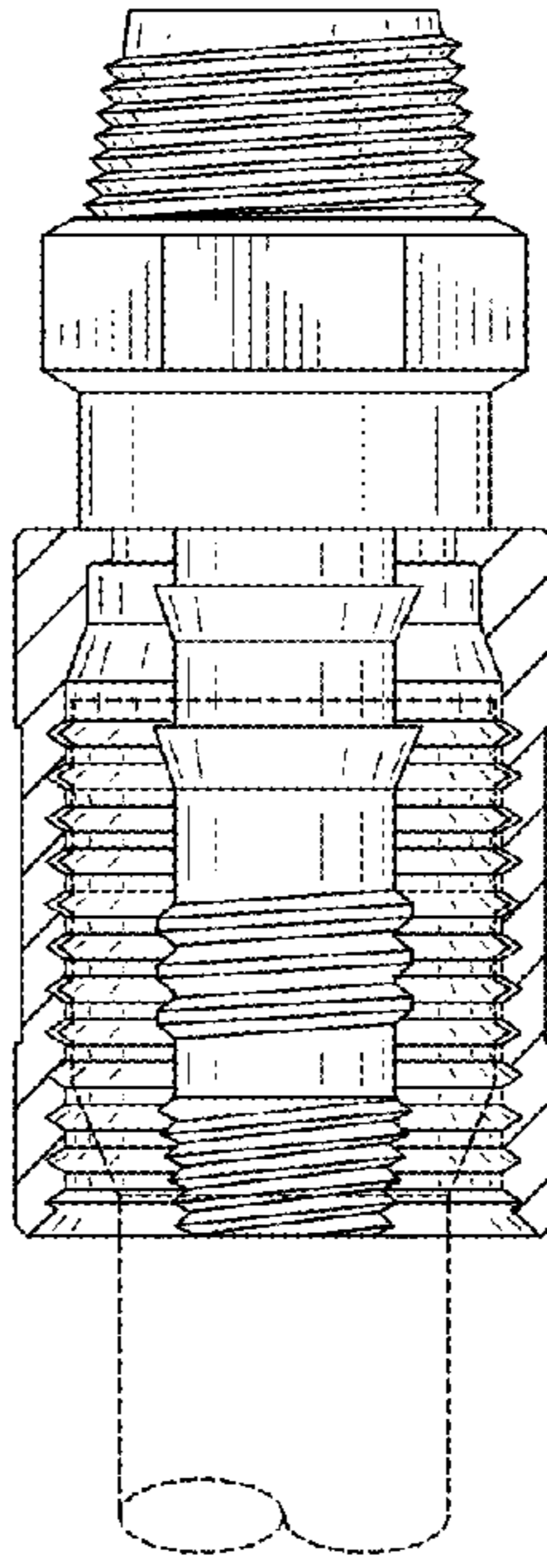


Fig. 13

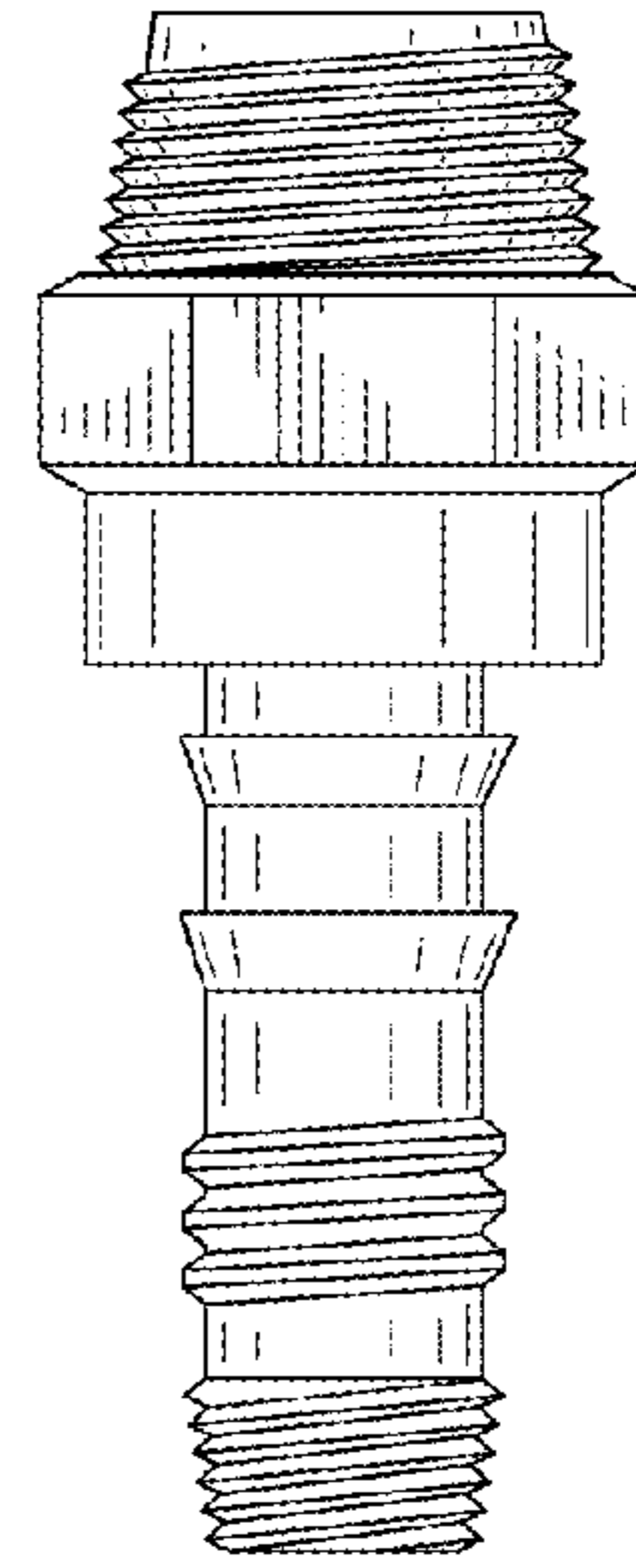


Fig. 14

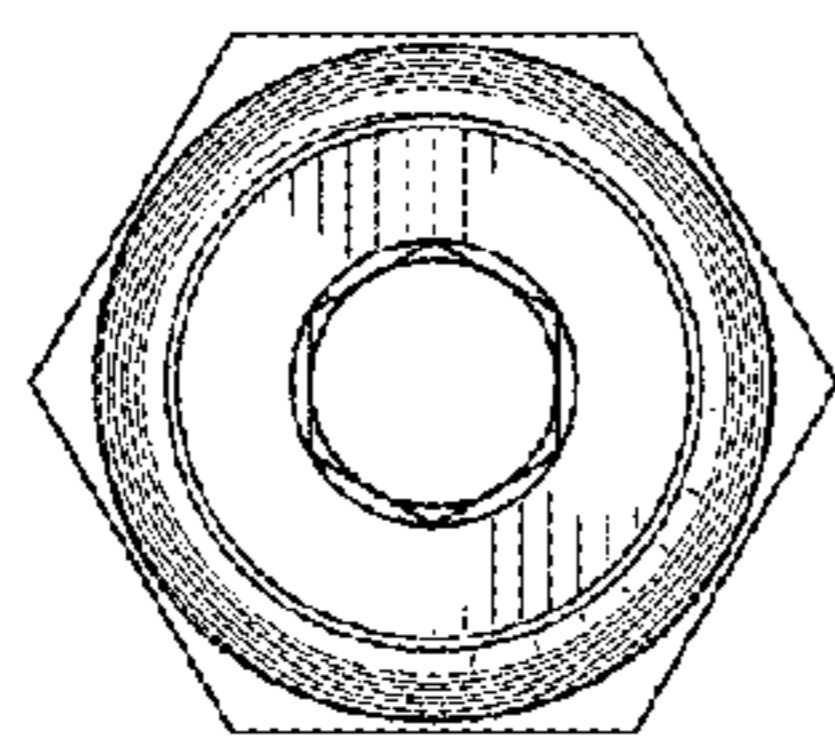


Fig. 15

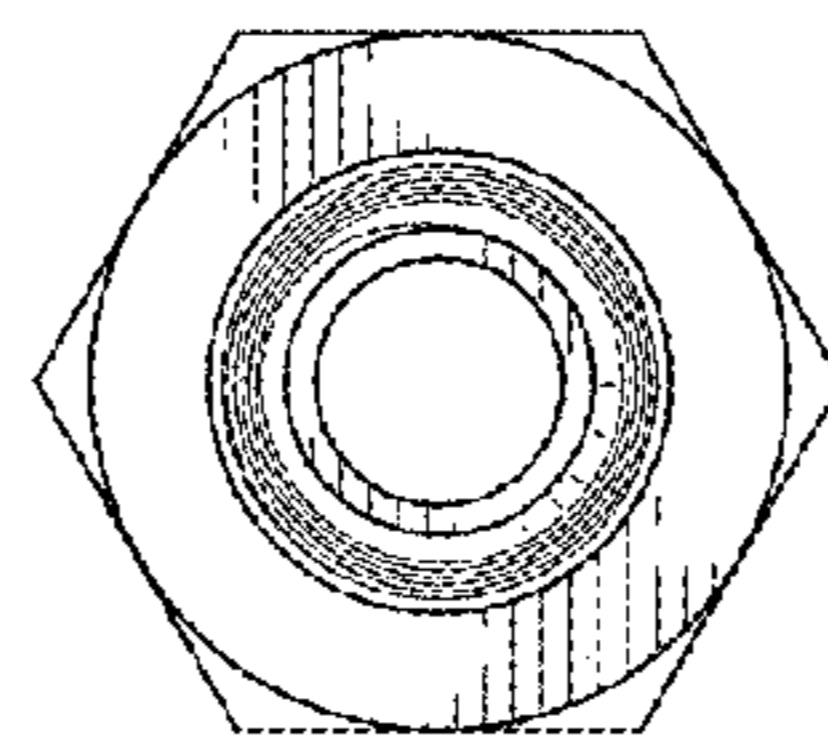


Fig. 16

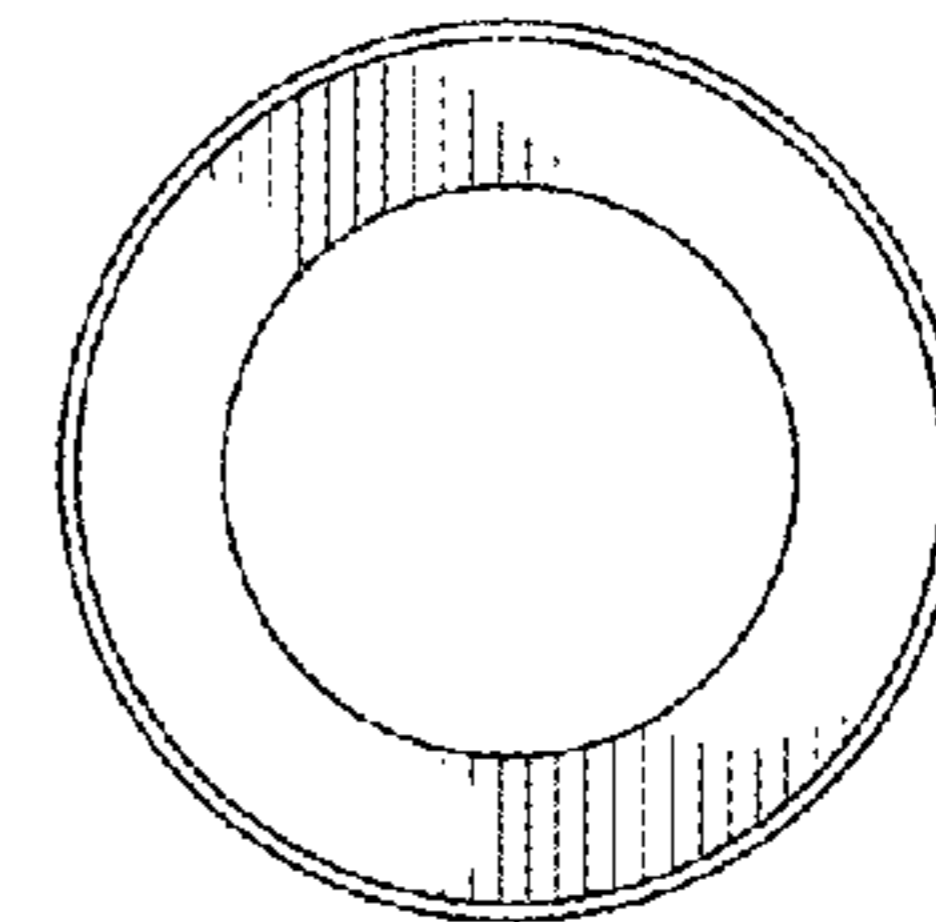


Fig. 19

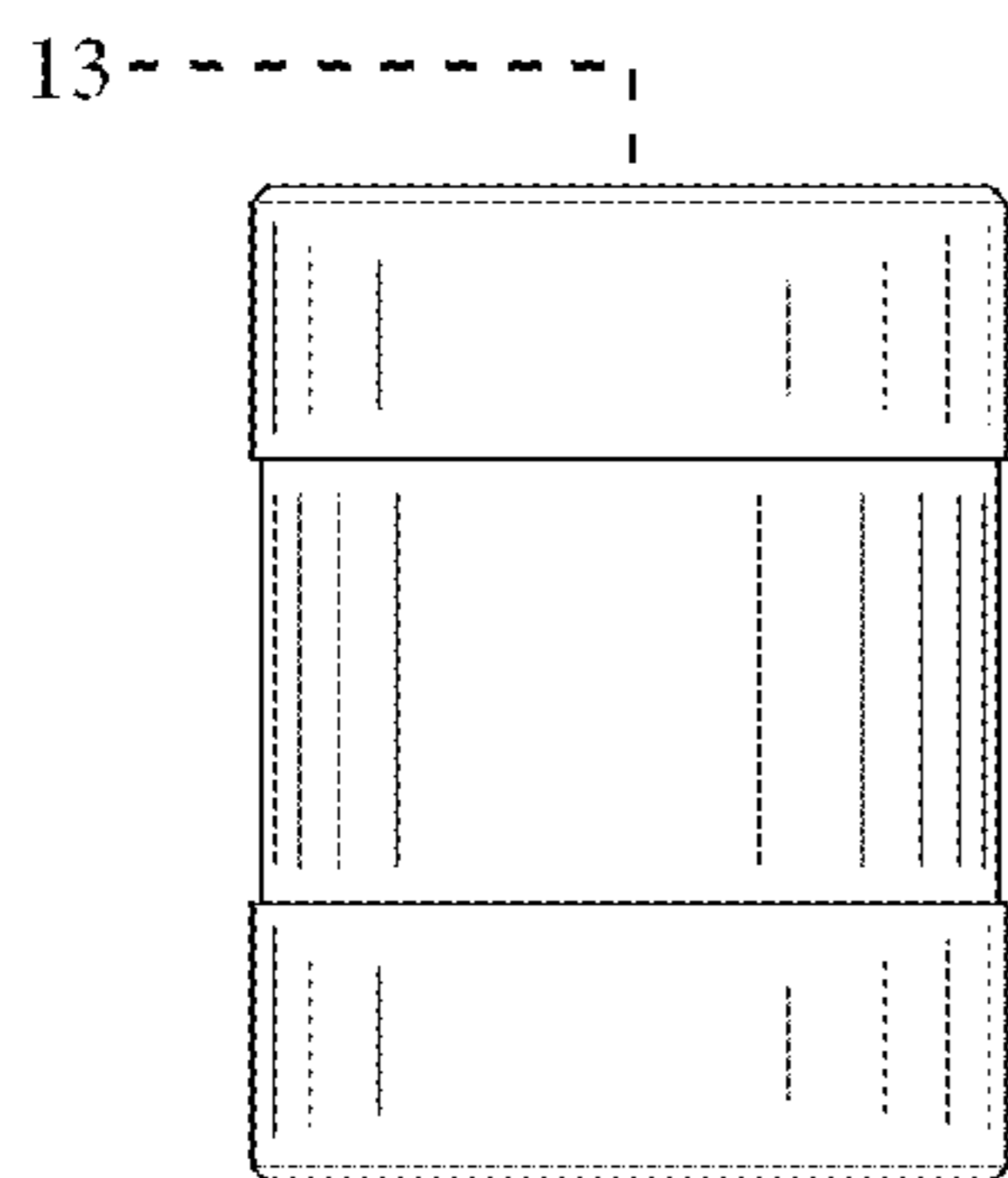


Fig. 17

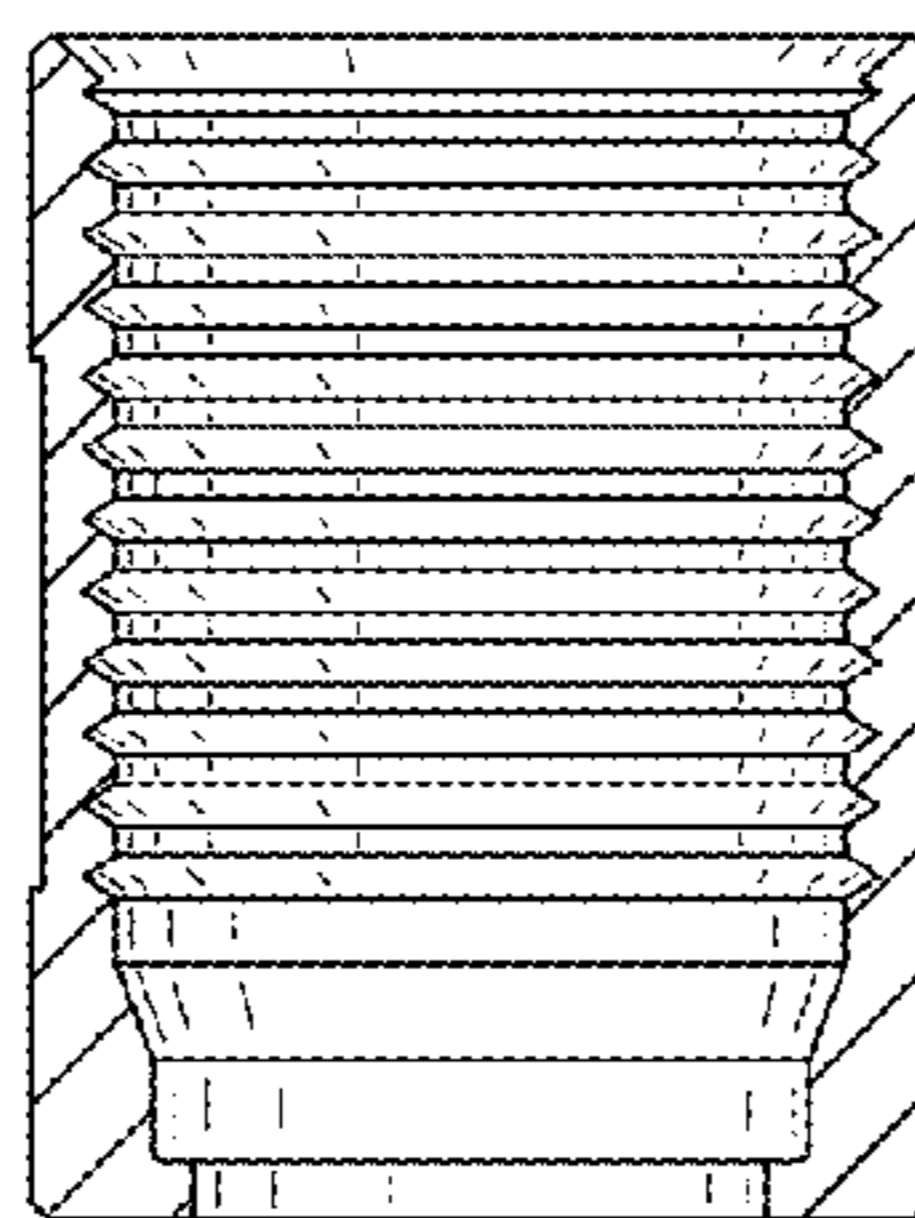


Fig. 18

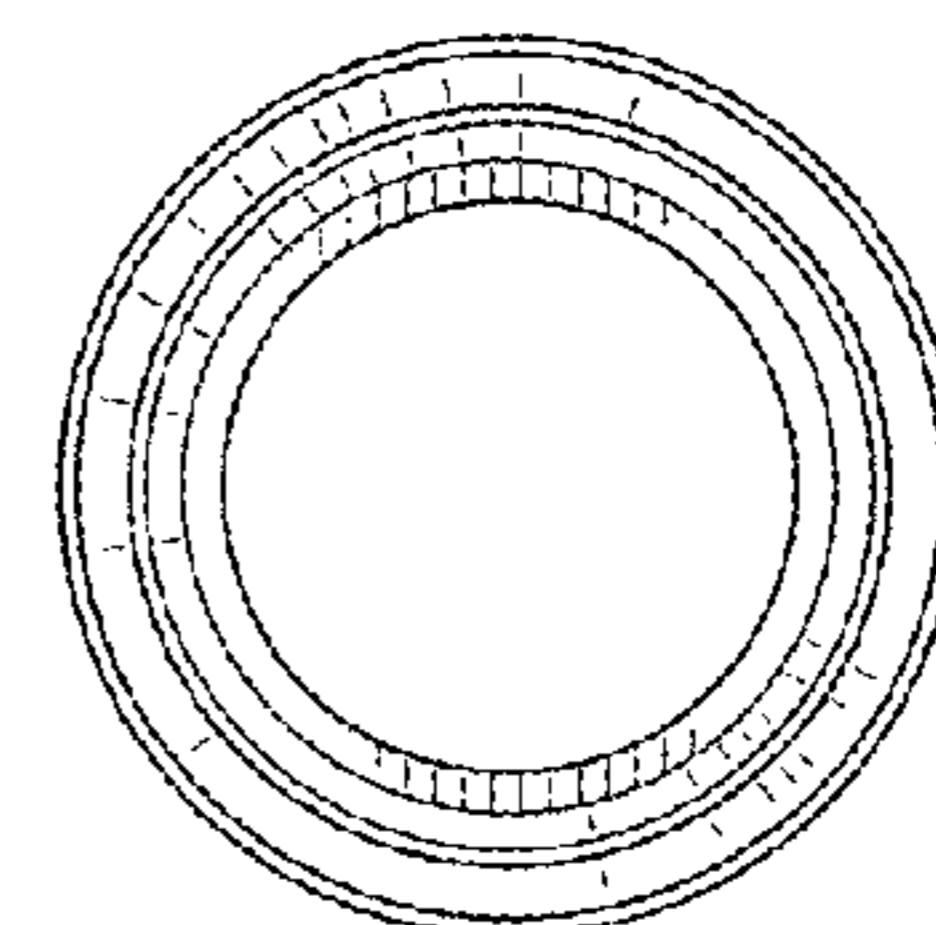


Fig. 20

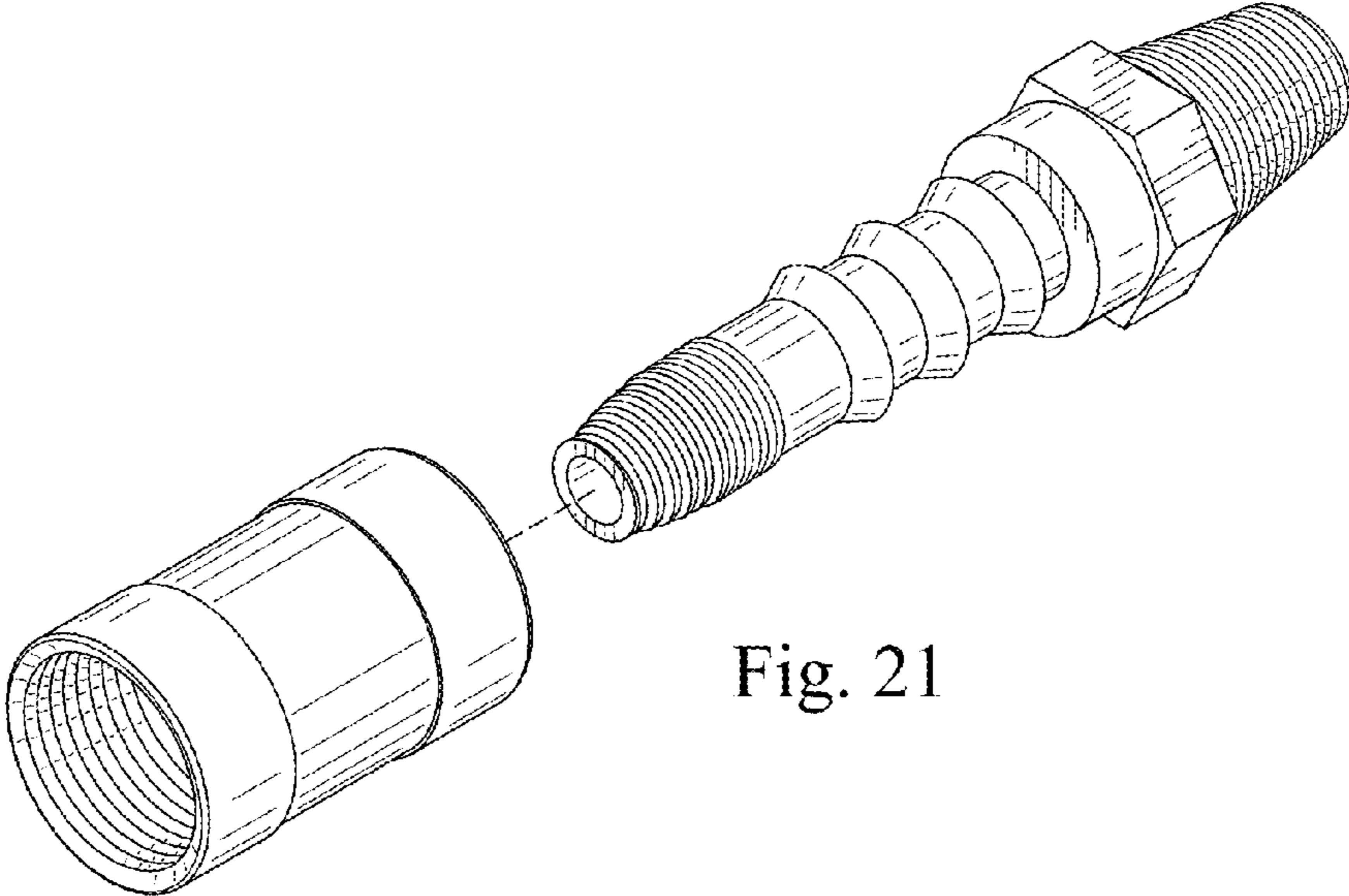


Fig. 21

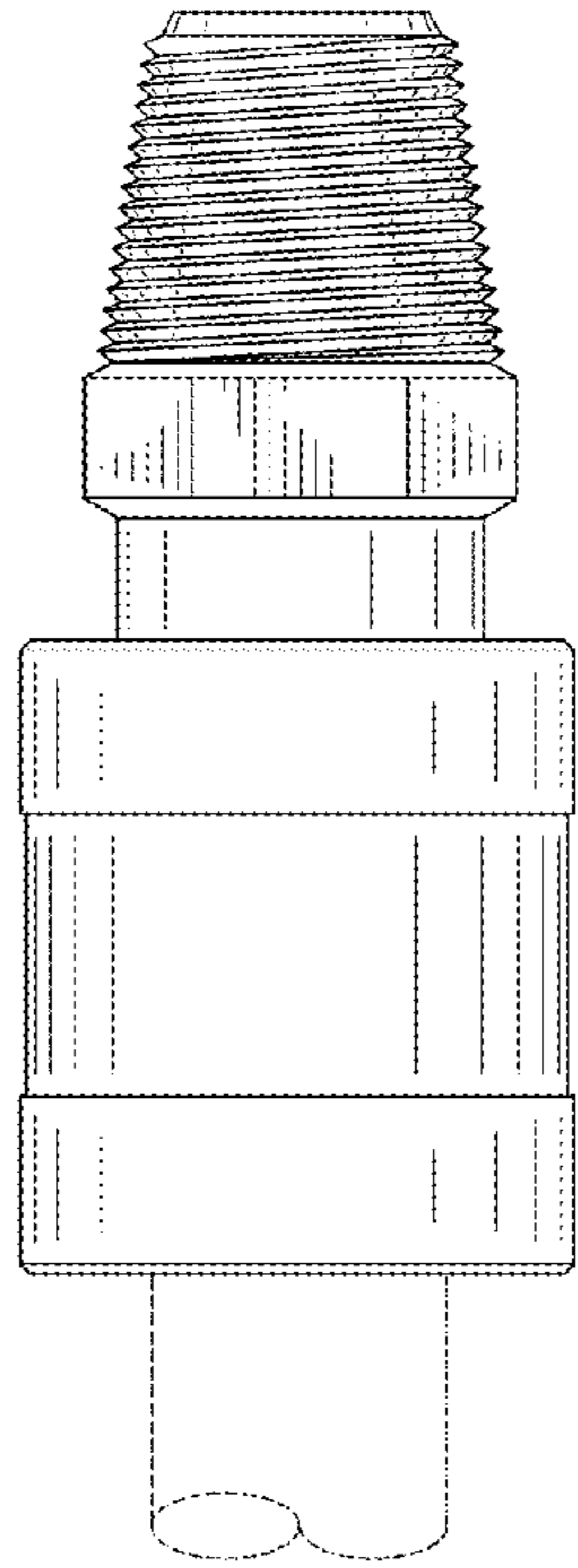


Fig. 22

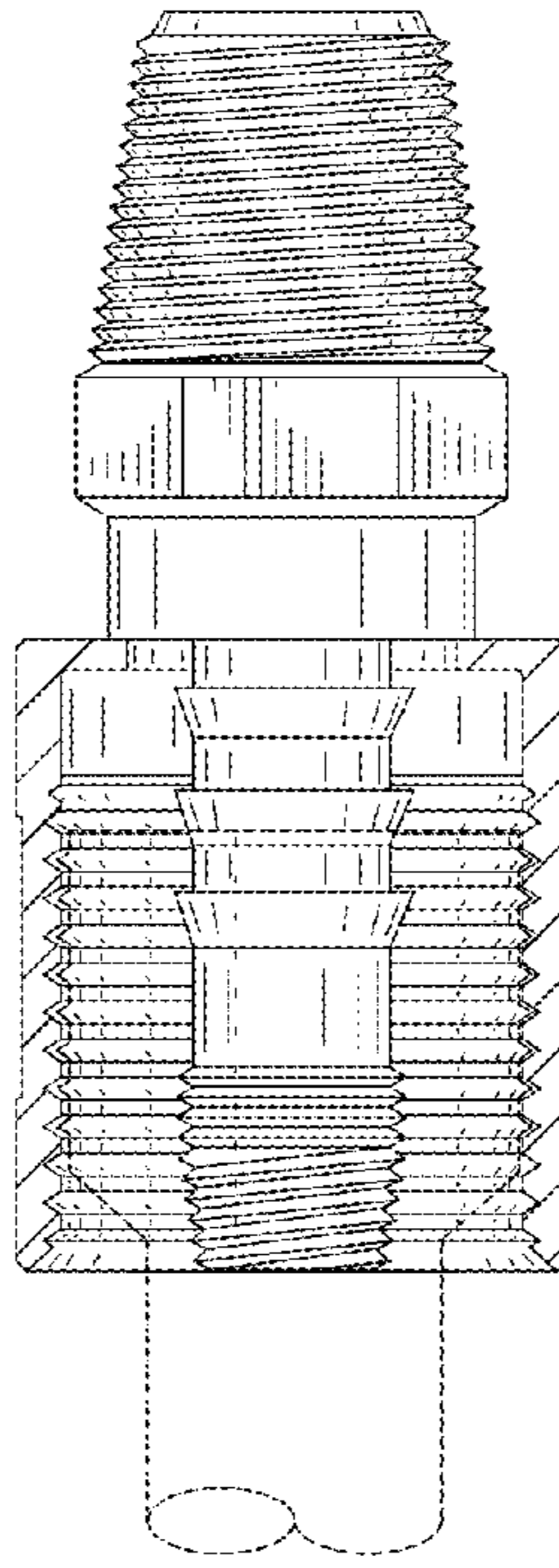


Fig. 23

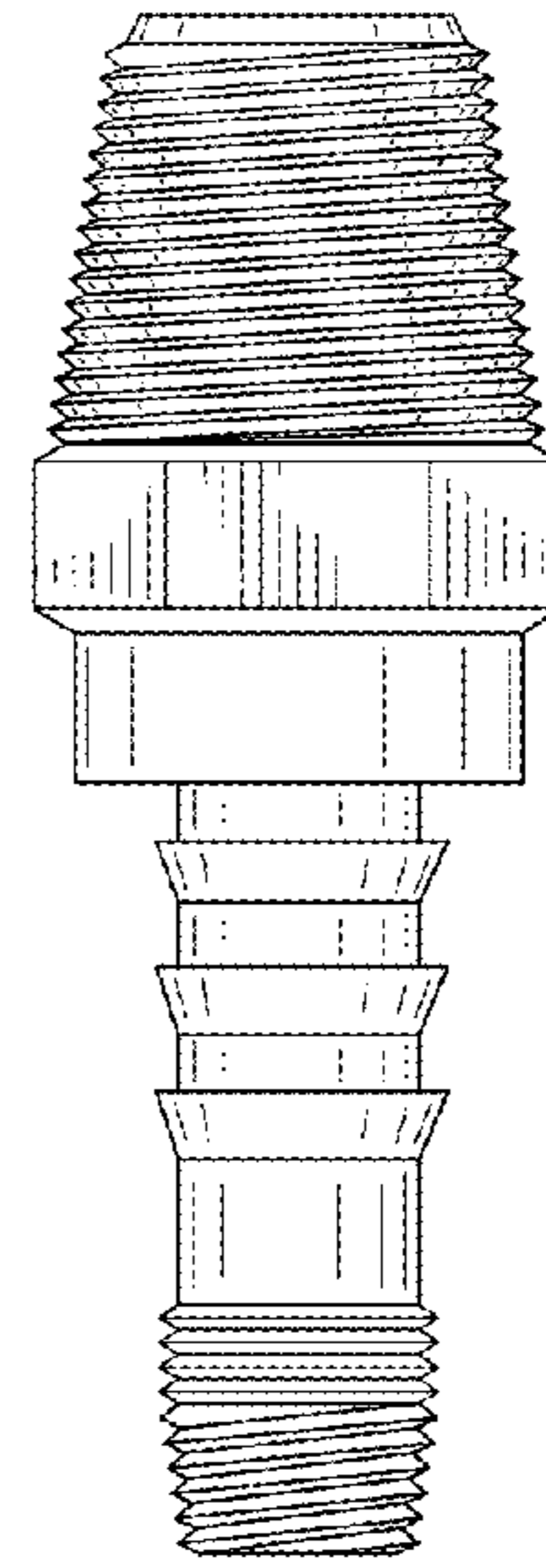


Fig. 24

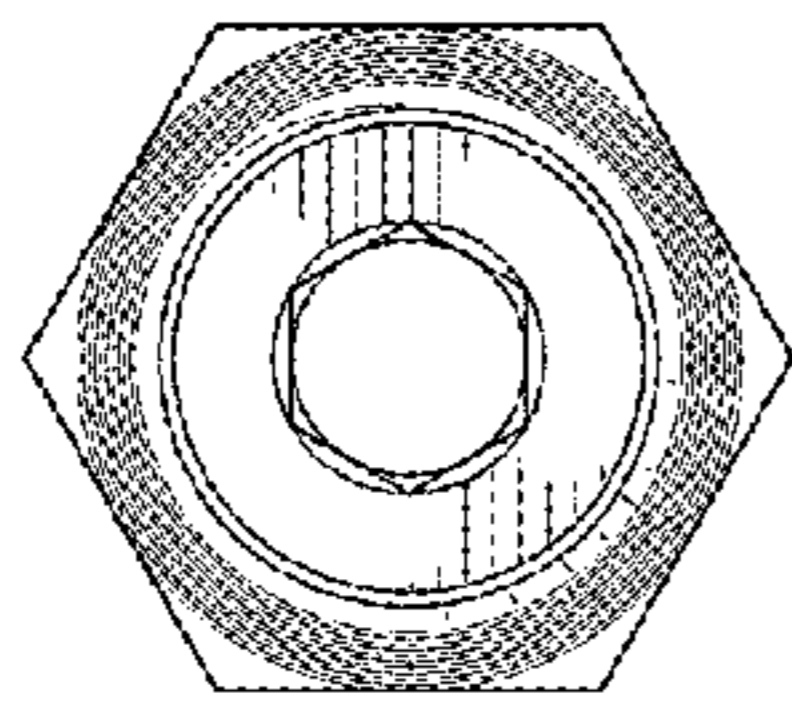


Fig. 25

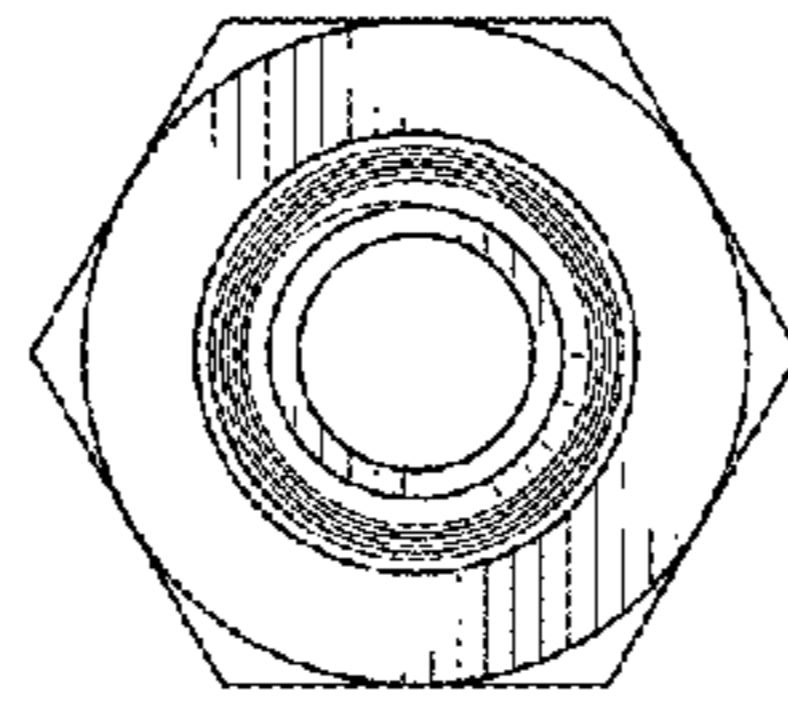


Fig. 26

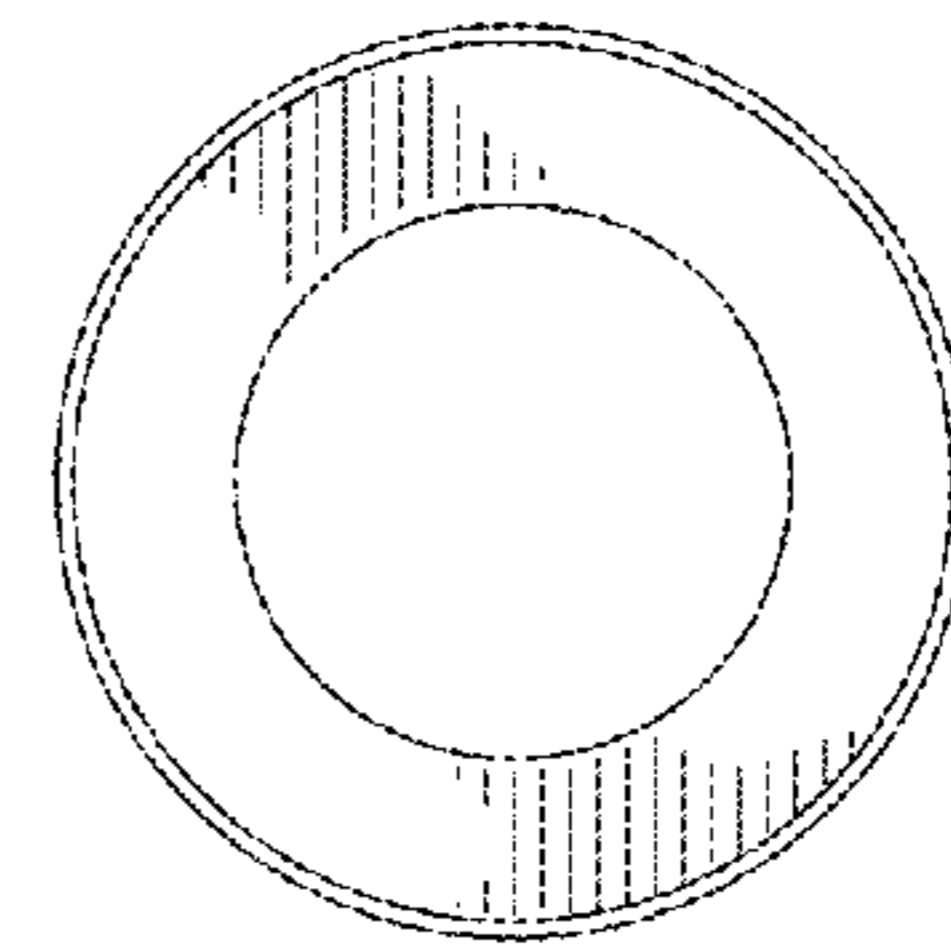


Fig. 29

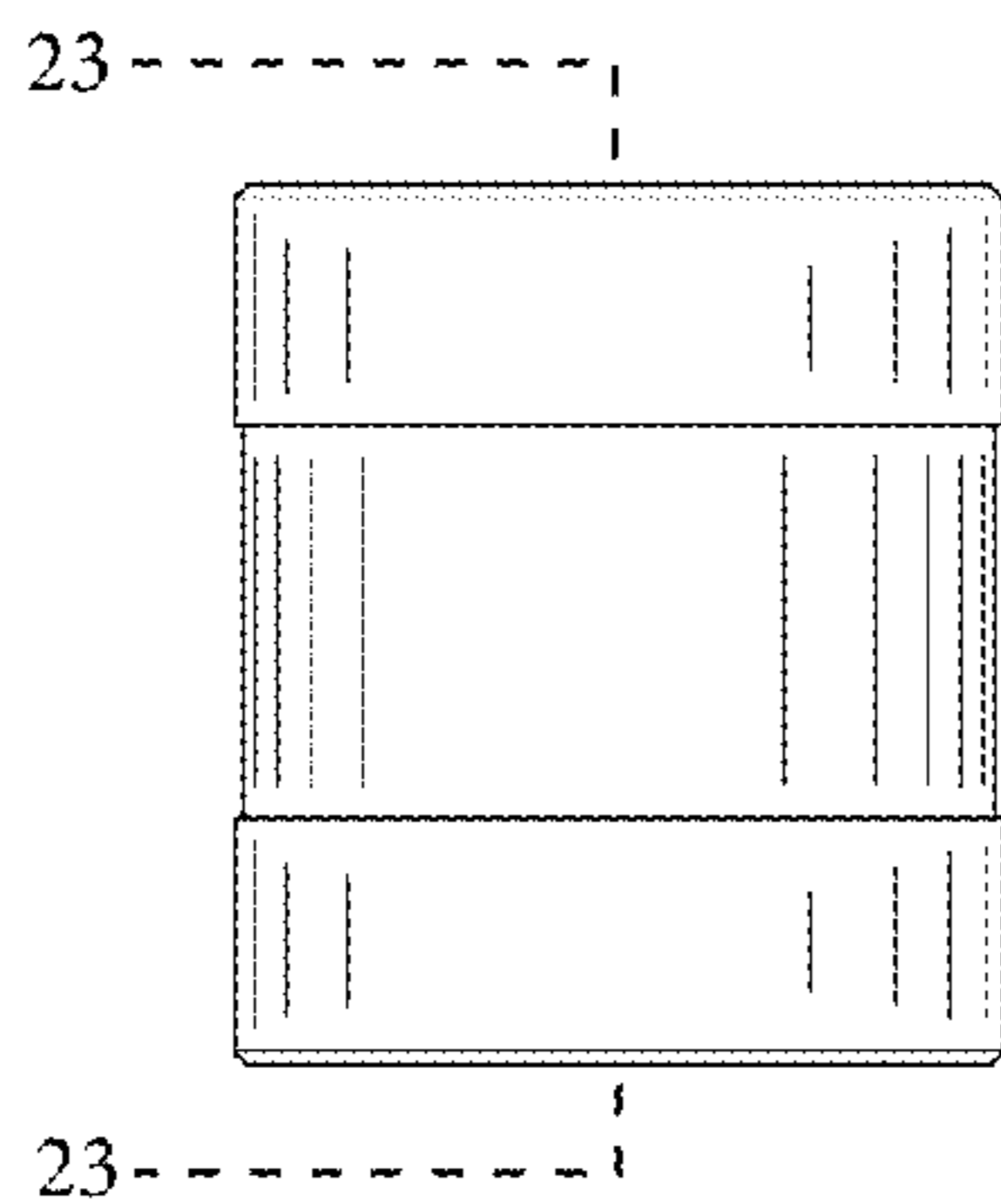


Fig. 27

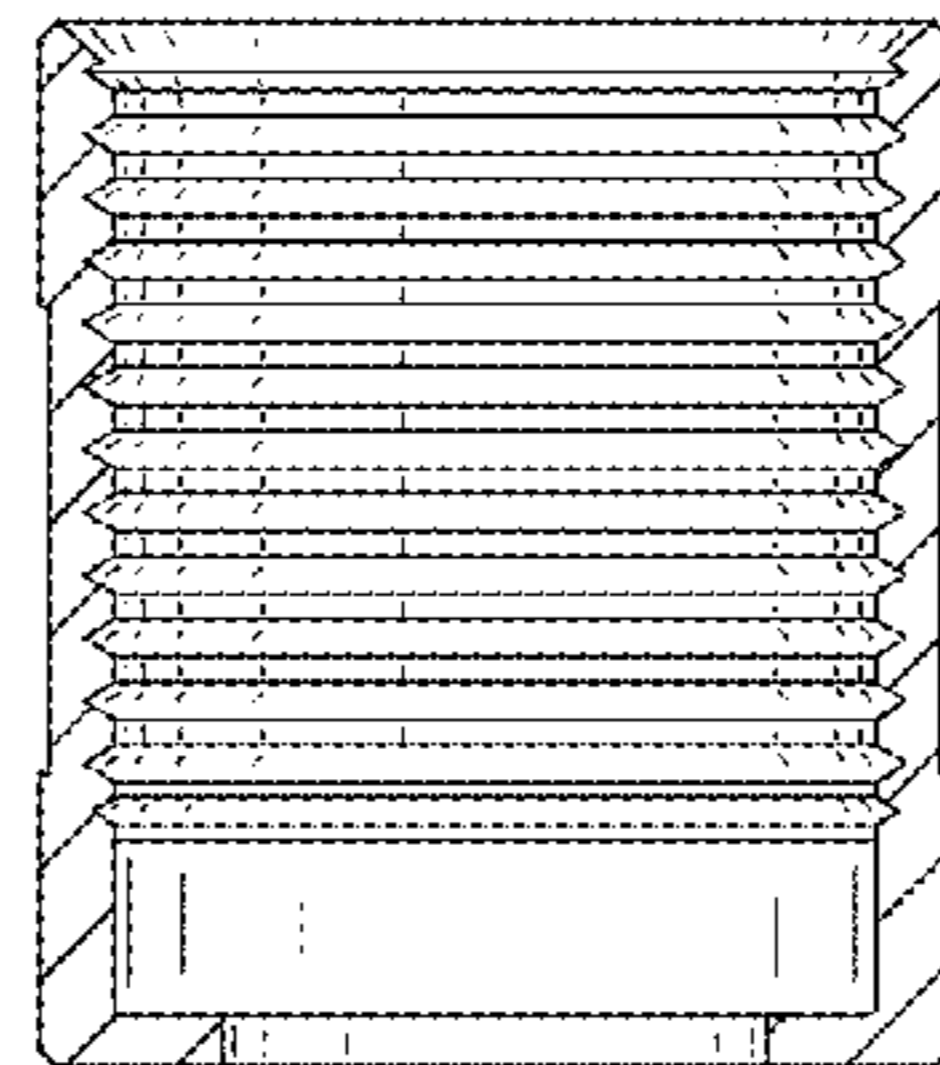


Fig. 28

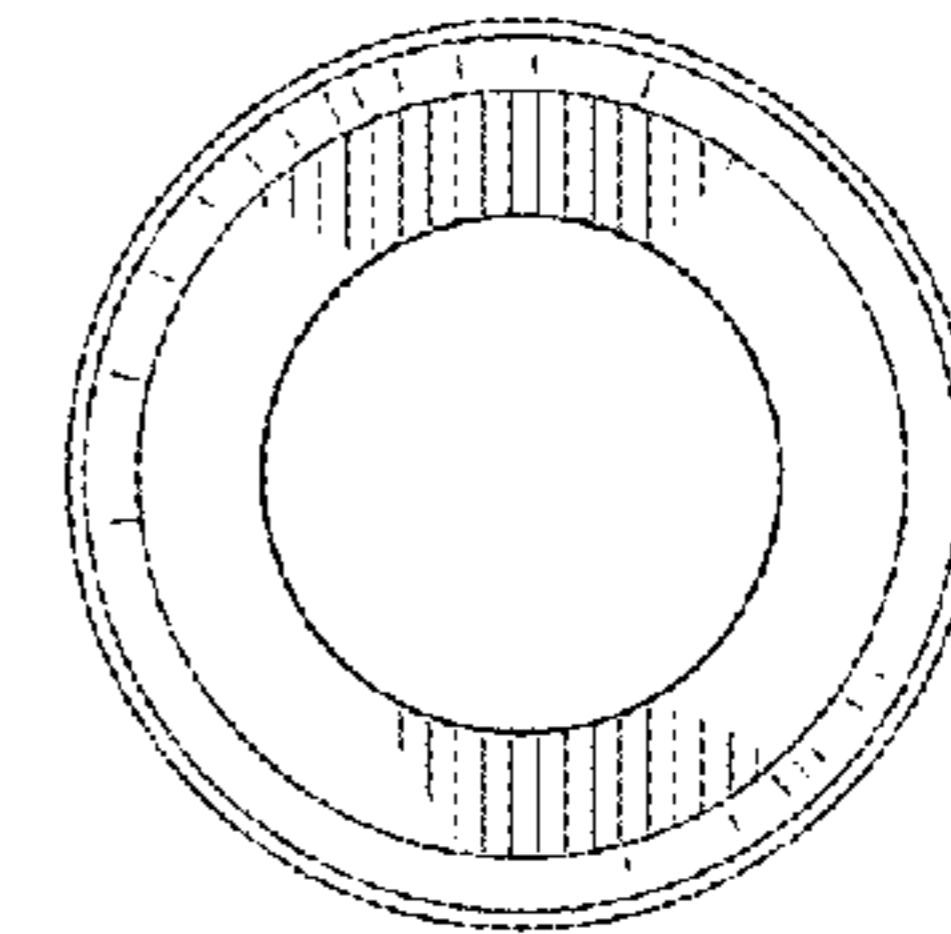


Fig. 30