



US00D759215S

(12) **United States Design Patent**
Fugazza

(10) **Patent No.:** **US D759,215 S**
(45) **Date of Patent:** **** Jun. 14, 2016**

- (54) **HYDRAULIC SET**
- (71) Applicant: **FUGAS S.p.A.**, Trezzano sul Naviglio (MI) (IT)
- (72) Inventor: **Giuseppe Fugazza**, Trezzano sul Naviglio (IT)
- (73) Assignee: **FUGAS S.P.A.**, Trezzano Sul Naviglio (MI) (IT)
- (**) Term: **14 Years**
- (21) Appl. No.: **29/515,125**
- (22) Filed: **Jan. 20, 2015**
- (51) **LOC (10) Cl.** **23-01**
- (52) **U.S. Cl.**
USPC **D23/263**
- (58) **Field of Classification Search**
USPC D23/209, 233, 235, 238, 249, 253, 254, D23/257, 259-269, 303, 304, 308; D12/197; D9/435
CPC B01D 35/04; B01D 29/13; B01D 29/19; B01D 36/006; B01D 2201/295; B01D 2201/304; F02M 37/221; A47K 3/28; A47K 3/30; A47K 3/281; A47K 3/283; E03C 1/20; E03C 1/26; E03C 1/28; E03C 1/122; E03C 1/262; E03C 1/292; E03F 5/02; E03F 5/04; F16L 37/252; F16L 41/007; F16L 43/008; F16L 55/07; F16L 25/0036; B08B 9/032
See application file for complete search history.

- (56) **References Cited**
U.S. PATENT DOCUMENTS
788,803 A * 5/1905 Walker E03C 1/122 285/125.1
1,501,225 A * 7/1924 MacDonald E03C 1/122 285/132.1

- 2,237,672 A * 4/1941 Kennedy E03C 1/122 285/129.1
- 2,916,310 A * 12/1959 Manas E03C 1/122 285/129.1
- 3,495,281 A * 2/1970 Palowsky E03C 1/122 285/129.1
- 3,630,547 A * 12/1971 Hartshorn, Jr. F16L 47/32 285/129.1
- 4,449,741 A * 5/1984 Litvin F16L 41/03 285/129.1
- 5,099,874 A * 3/1992 Della Cave E03B 1/04 137/357
- D504,715 S * 5/2005 Hagihara D23/235
- D577,103 S * 9/2008 Caron D23/233
- D617,875 S * 6/2010 Bobby D23/233
- D625,389 S * 10/2010 Norlander D23/233
- D714,910 S * 10/2014 Roden D23/233
- D729,910 S * 5/2015 Schulze D23/267
- D741,459 S * 10/2015 Guest D23/262
- 2014/0069548 A1 * 3/2014 Hasegawa F16L 47/02 138/155

* cited by examiner

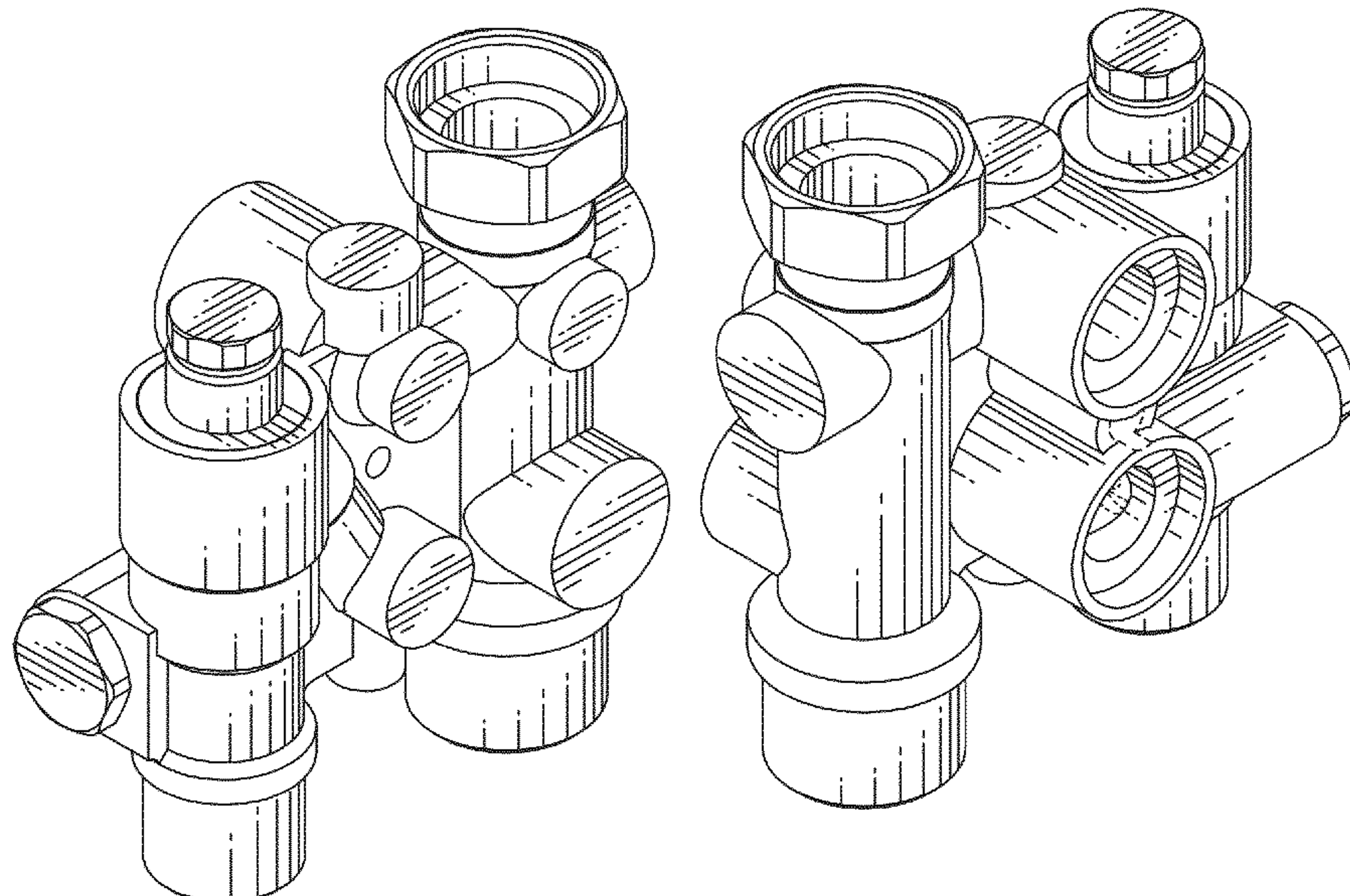
Primary Examiner — Eric Goodman
Assistant Examiner — Amy Wierenga
(74) *Attorney, Agent, or Firm* — King & Schickli, PLLC

(57) **CLAIM**
The ornamental design for a hydraulic set, as shown and described.

DESCRIPTION

FIG. 1 is a front perspective view of a hydraulic set;
FIG. 2 is a rear perspective view;
FIG. 3 is a front view;
FIG. 4 is a left side view;
FIG. 5 is a right side view;
FIG. 6 is a top view; and,
FIG. 7 is a bottom view.

1 Claim, 4 Drawing Sheets



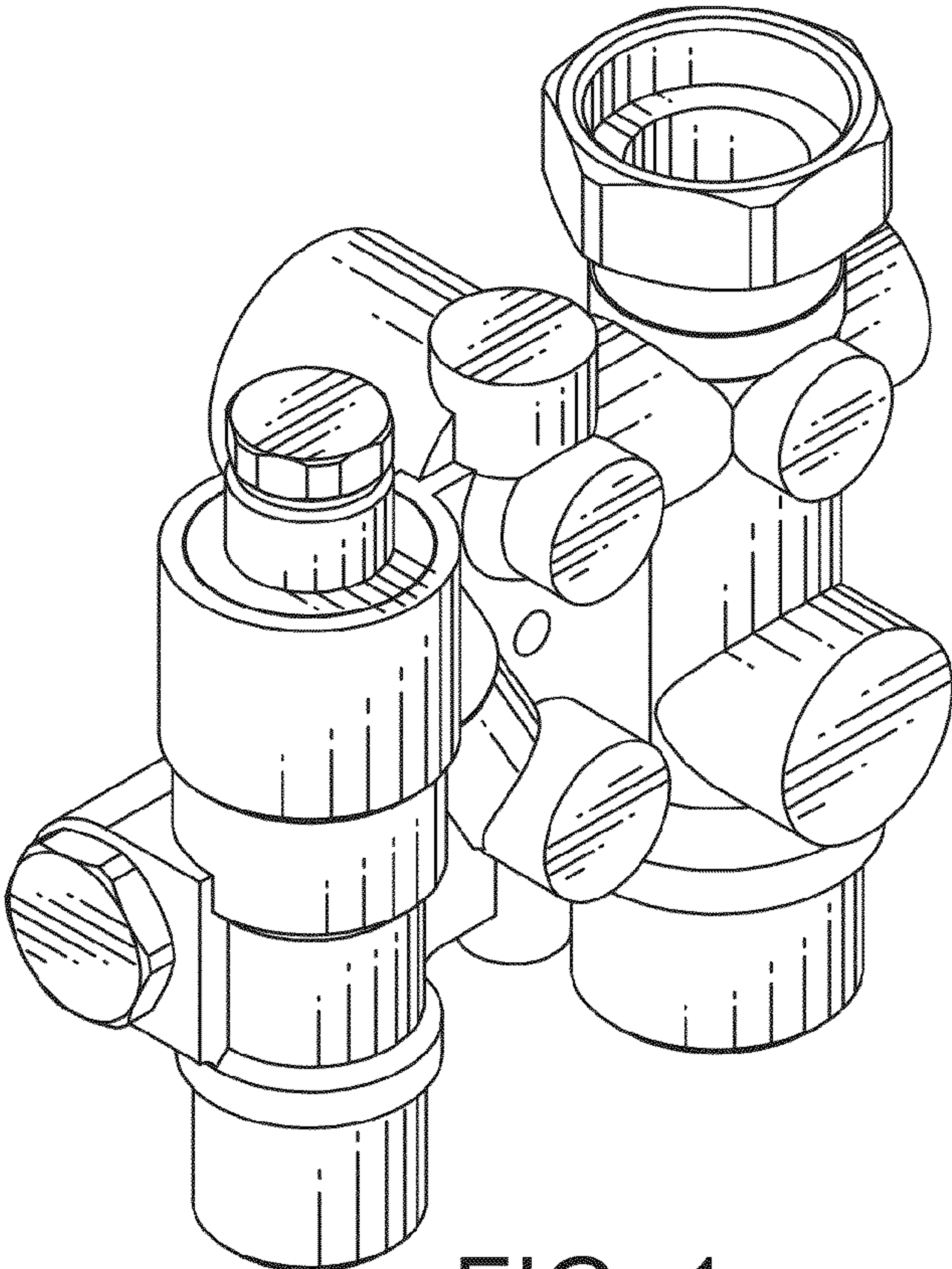


FIG. 1

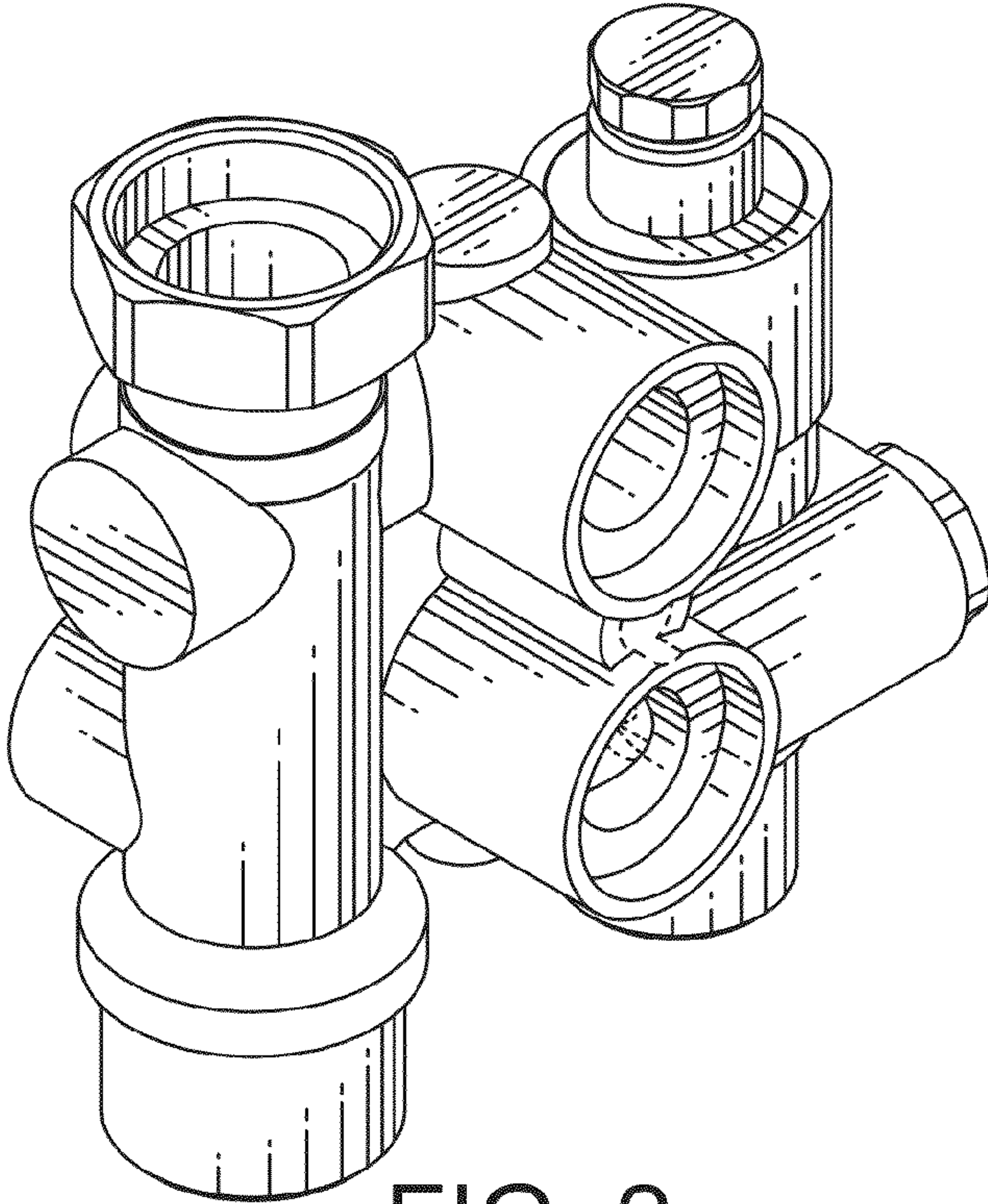


FIG. 2

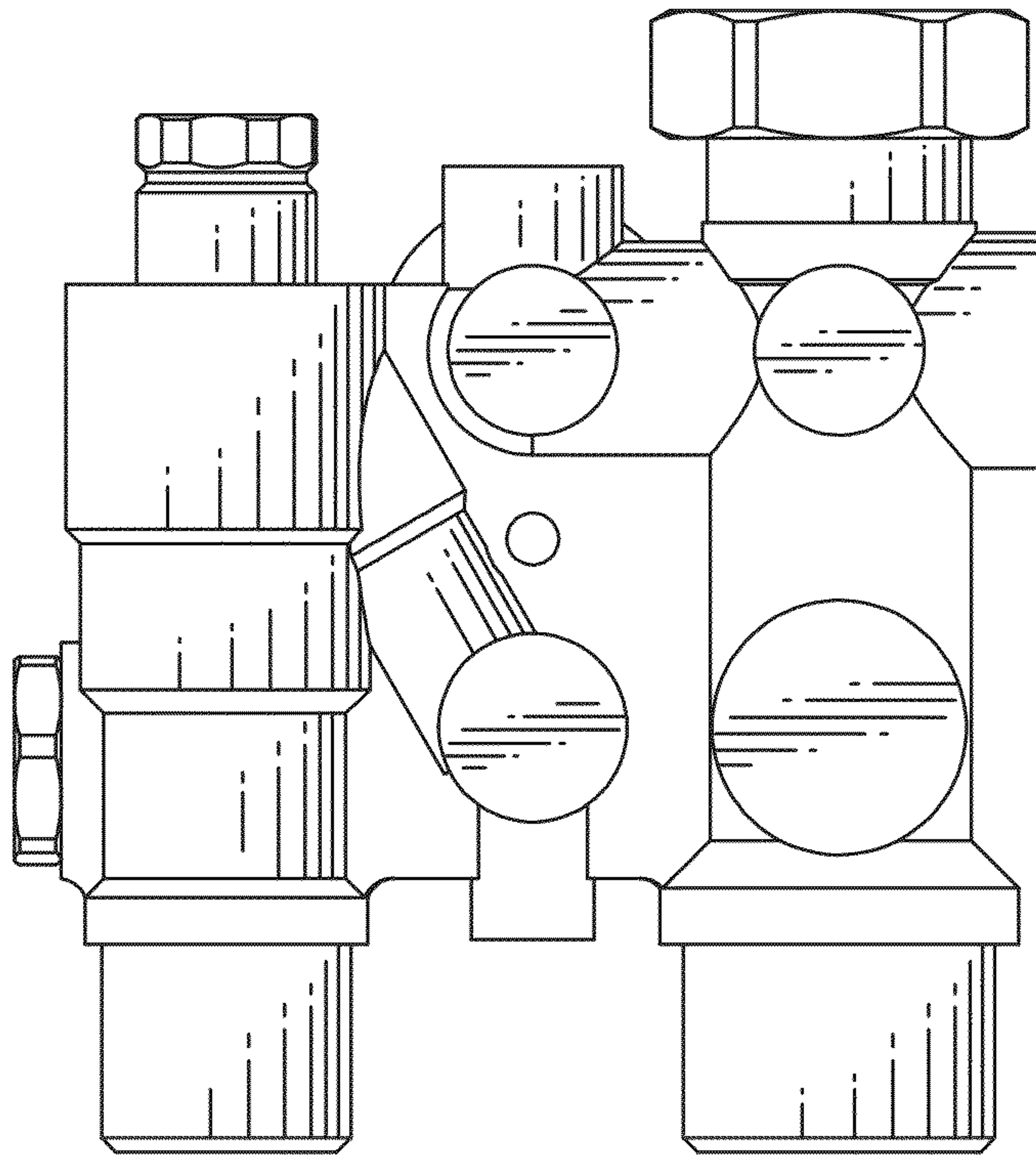


FIG. 3

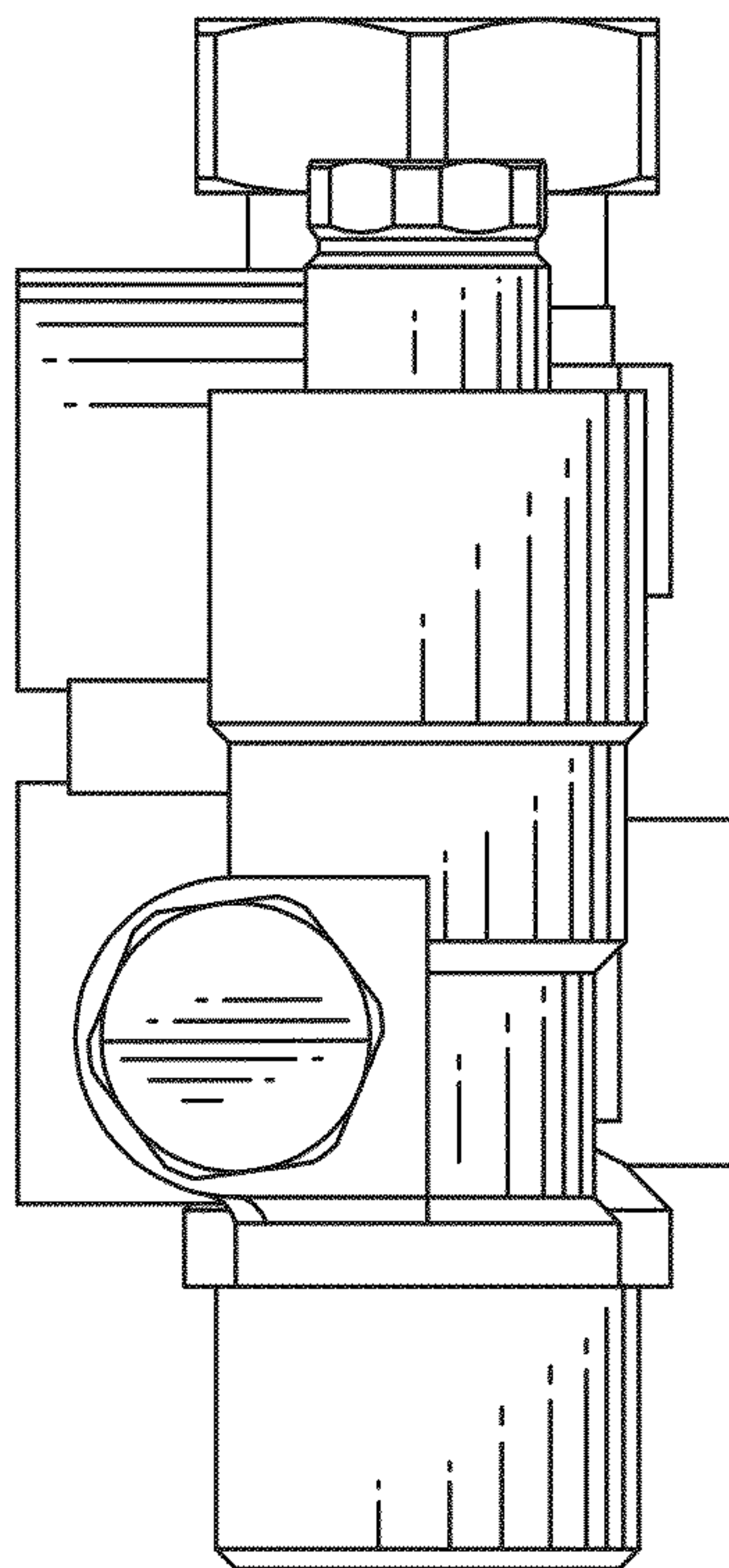


FIG. 4

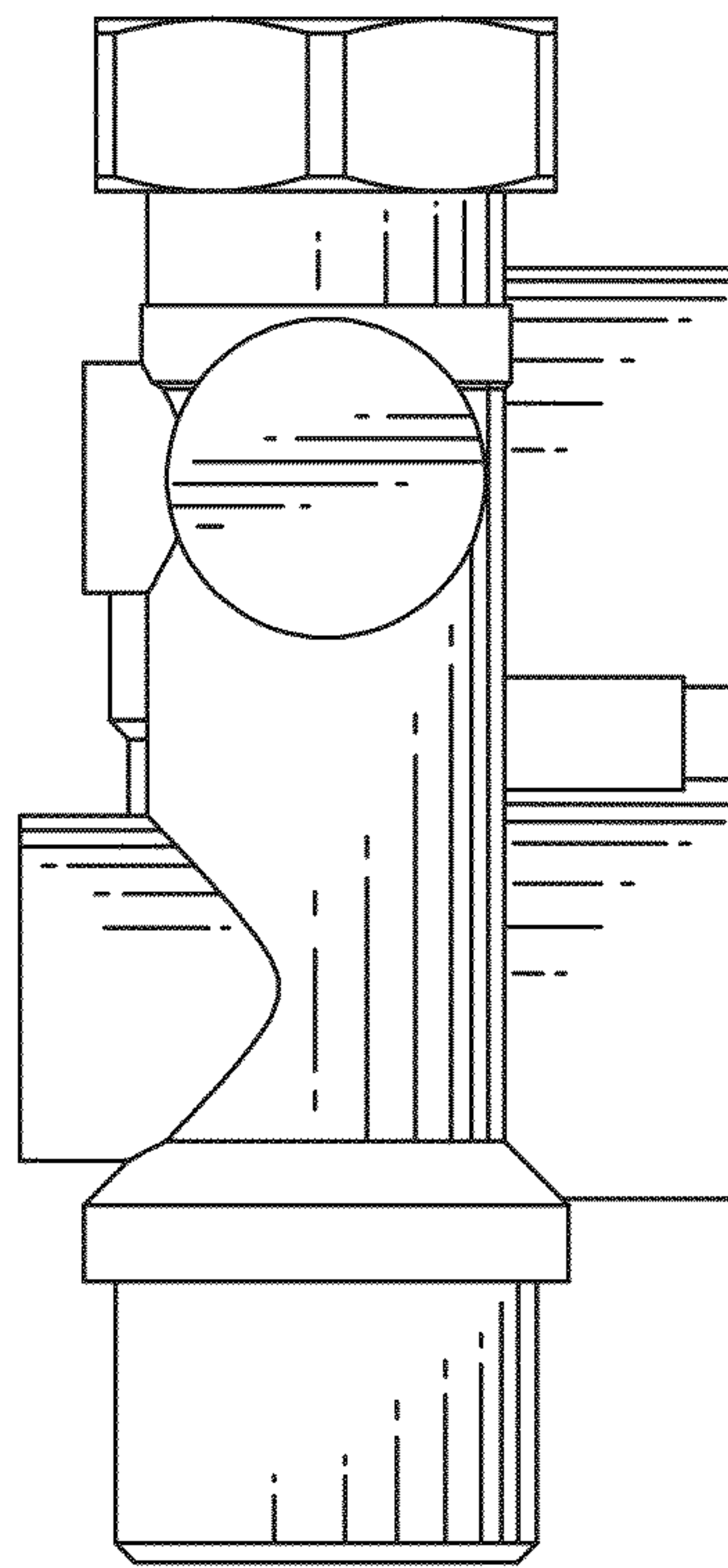


FIG. 5

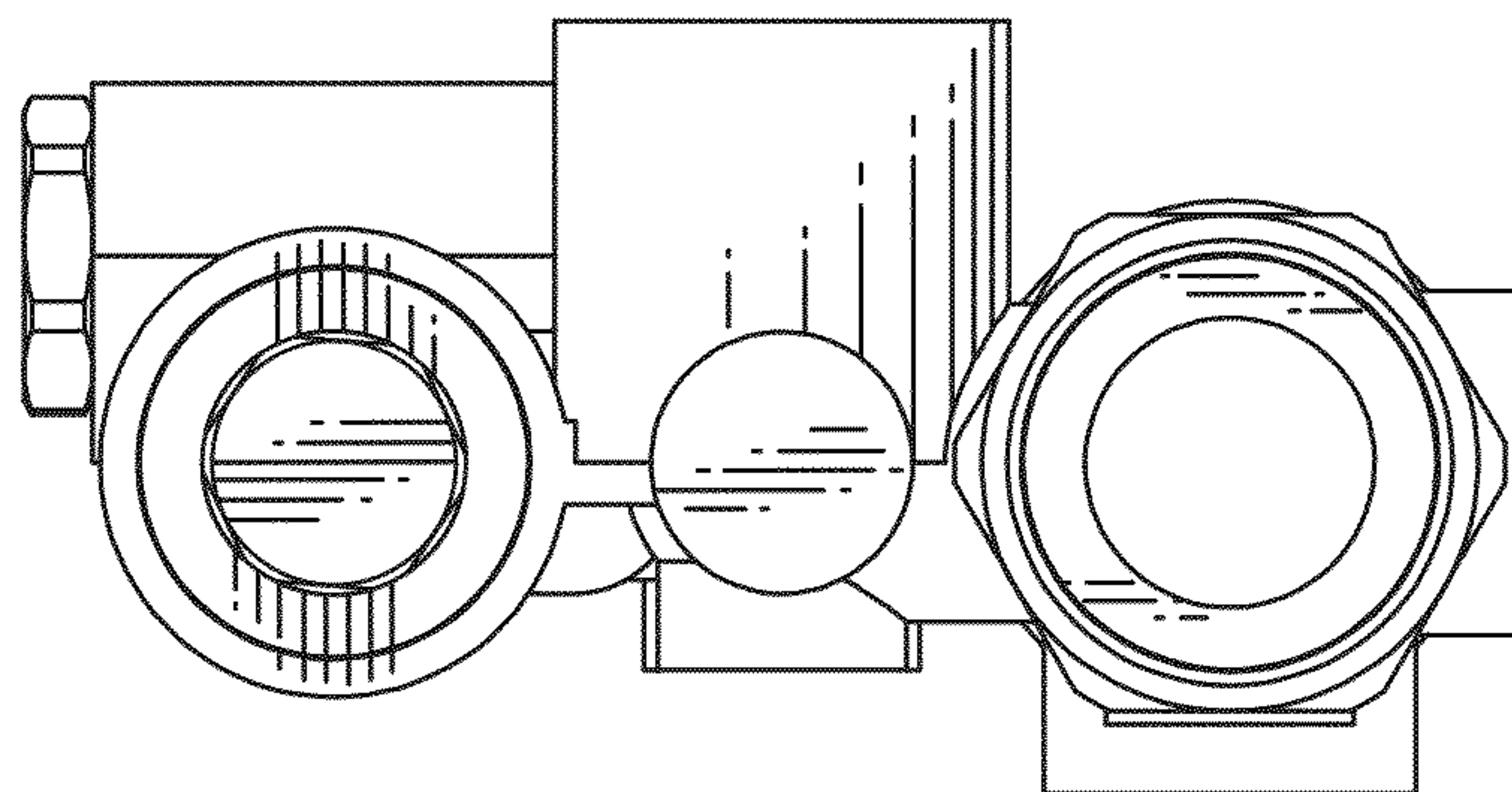


FIG. 6

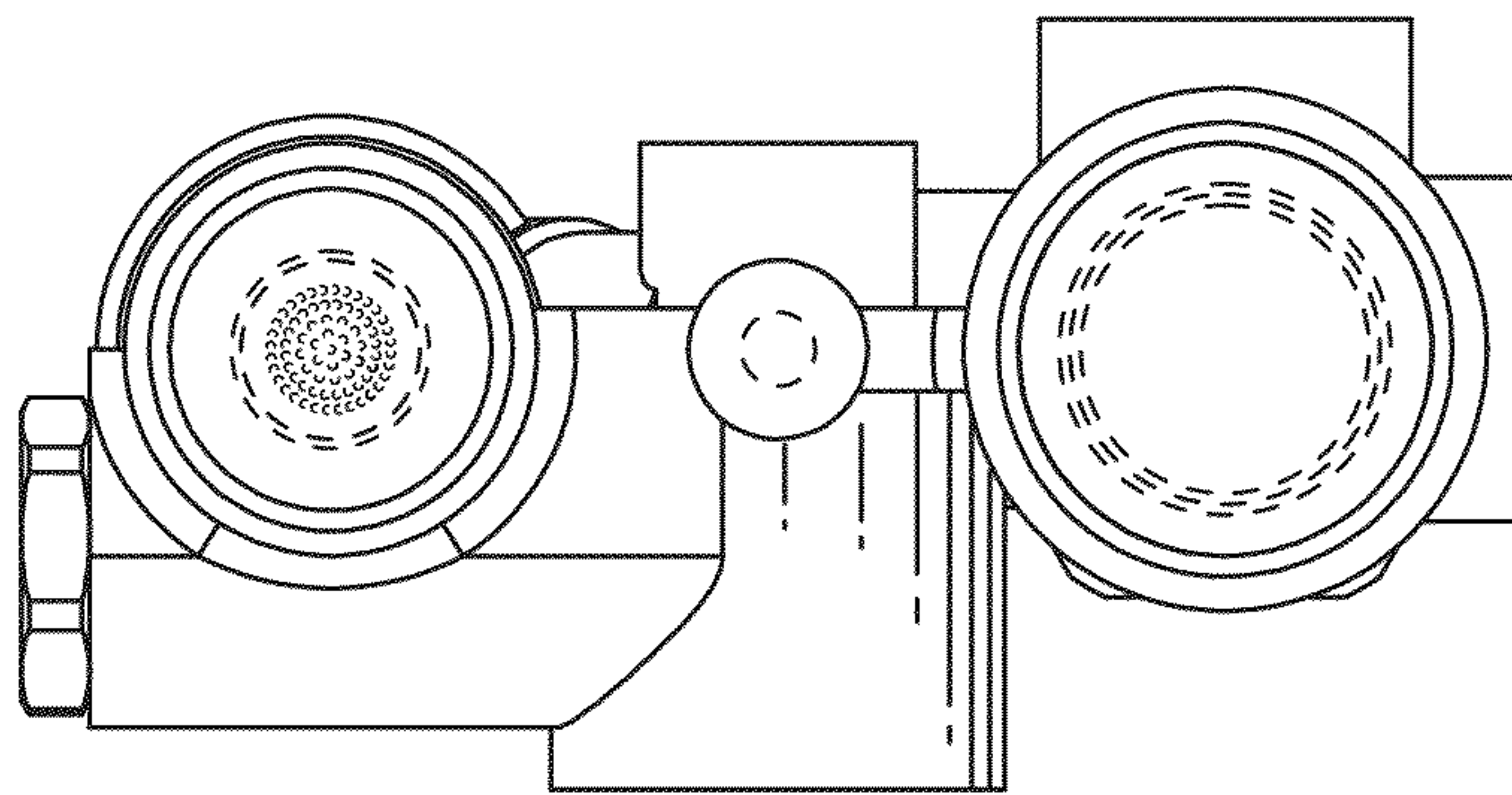


FIG. 7