



US00D759213S

(12) **United States Design Patent**
Hofer et al.

(10) **Patent No.:** **US D759,213 S**
(45) **Date of Patent:** **** Jun. 14, 2016**

(54) **PIPELINE PIG**
(71) Applicant: **Uresh AG**, Beil-Benken (CH)
(72) Inventors: **Urs Hofer**, Therwil (CH); **Andres Huber**, Dornach (CH)
(73) Assignee: **Uresh AG**, Beil-Benken (CH)
(**) Term: **14 Years**
(21) Appl. No.: **29/494,097**
(22) Filed: **Jun. 17, 2014**

3,900,912 A * 8/1975 Lenz B08B 9/0553
15/104.061
4,057,081 A * 11/1977 Jones F16L 55/48
138/89
4,244,073 A * 1/1981 Sagawa B08B 9/0553
15/104.061
4,275,475 A * 6/1981 Schwartz B08B 9/0557
137/268
4,389,461 A * 6/1983 Scott B05D 7/22
427/181
4,907,314 A * 3/1990 Kershaw B08B 9/0557
15/104.061
D315,621 S * 3/1991 Laymon D32/14
5,113,544 A * 5/1992 Webb F16L 55/38
15/104.061
5,473,787 A * 12/1995 Echols B07B 1/50
15/104.061

(30) **Foreign Application Priority Data**
Dec. 19, 2013 (CH) 140368
Jan. 21, 2014 (EM) 002388686-001
(51) **LOC (10) Cl.** **23-01**
(52) **U.S. Cl.**
USPC **D23/260**; D32/14
(58) **Field of Classification Search**
USPC D23/235, 259, 260, 261, 262, 263, 264,
D23/265, 266, 267, 268; D32/14
CPC B08B 9/021; B08B 9/0553; B08B 9/055;
F41A 29/02; F16L 55/46; F16L 55/1651;
F16L 55/163
See application file for complete search history.

(Continued)

Primary Examiner — John Windmuller
Assistant Examiner — Steven Czyn
(74) *Attorney, Agent, or Firm* — Dennemeyer & Associates,
LLC

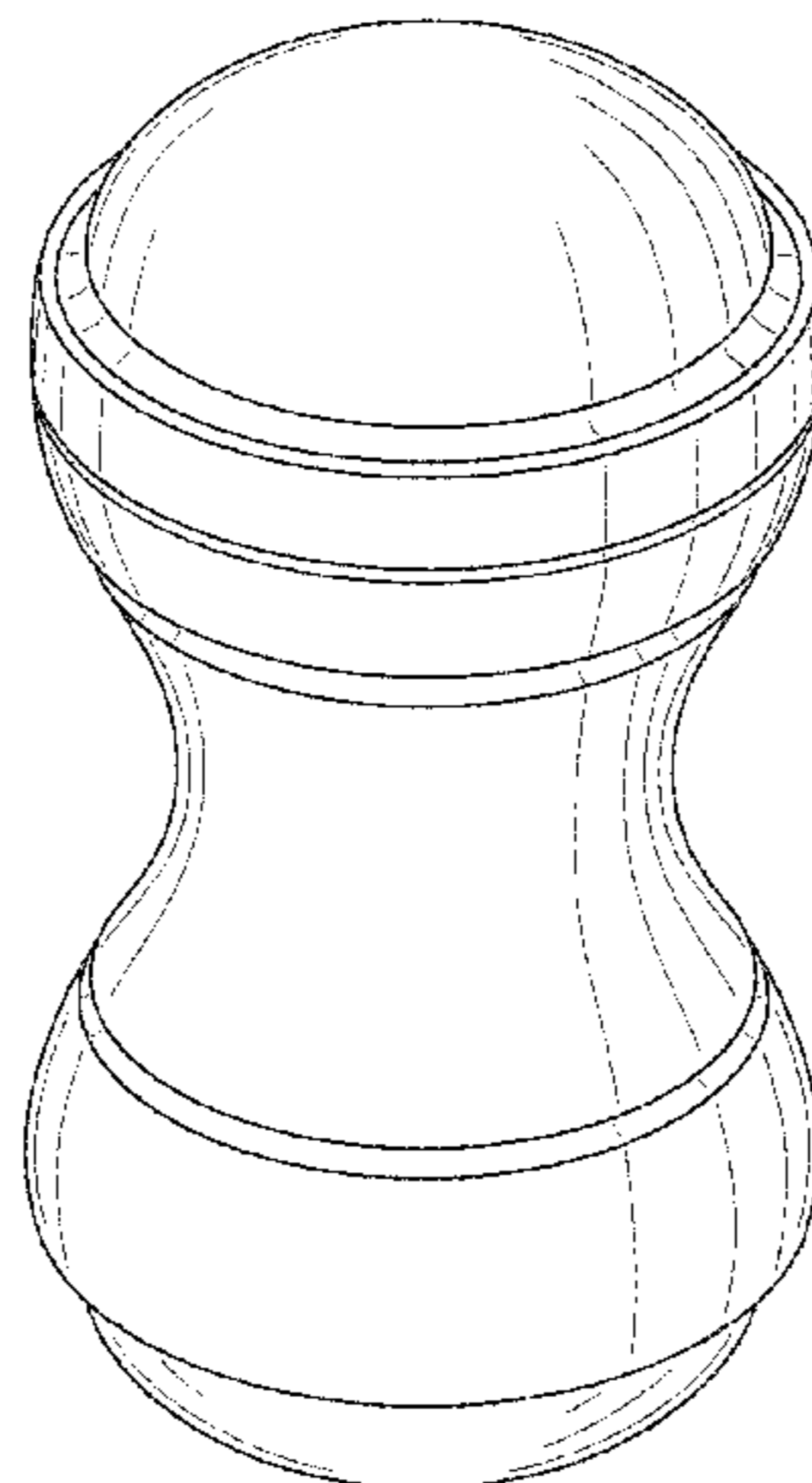
(57) **CLAIM**
The ornamental design for a pipeline pig, as shown and
described.

DESCRIPTION

FIG. 1 is a perspective view of the pipeline pig;
FIG. 2 is a front elevational view of the pipeline pig, the rear,
right and left side elevational views being identical thereto;
FIG. 3 is a top plan view of the pipeline pig, the bottom plan
view being a mirror image thereof;
FIG. 4 is a perspective view of a second embodiment of the
pipeline pig;
FIG. 5 is a front elevational view of the second embodiment of
the pipeline pig, the rear, right and left side elevational views
being identical thereto; and,
FIG. 6 is a top plan view of the second embodiment of the
pipeline pig, the bottom plan view being a mirror image
thereof.

(56) **References Cited**
U.S. PATENT DOCUMENTS
RE16,362 E * 6/1926 Mannion et al. B08B 9/0553
15/104.061
3,205,518 A * 9/1965 Romaine B08B 9/0436
15/104.165
3,483,734 A * 12/1969 Wood G01M 3/002
374/4
3,649,983 A * 3/1972 Ver Nooy B08B 9/0554
15/104.061
3,863,287 A * 2/1975 Knapp B08B 9/0553
15/104.061

1 Claim, 4 Drawing Sheets



(56)

References Cited

U.S. PATENT DOCUMENTS

6,014,789 A *	1/2000	Knapp	B08B 9/0553	15/104.061	8,719,989 B1 *	5/2014	Qanaei	B08B 9/055	15/104.05
6,029,302 A *	2/2000	Coura	B08B 9/055	15/104.062	8,858,732 B1 *	10/2014	Al Qanaei	B08B 9/0551	134/166 C
D421,791 S *	3/2000	Ohtani	D23/260		D727,468 S *	4/2015	Childress	D23/260	
6,276,017 B1 *	8/2001	Lino	B08B 9/0557	15/104.061	D732,643 S *	6/2015	Lai	D23/259	
6,500,271 B1 *	12/2002	Moore	B08B 9/055	134/8	2005/0200037 A1 *	9/2005	Sanders	B08B 9/0553	264/36.17
6,574,821 B1 *	6/2003	Dal Maso	B08B 9/0557	15/104.061	2009/0283115 A1 *	11/2009	Dentico	F41A 29/02	134/22.1
D576,713 S *	9/2008	Mullis	D23/260		2012/0137458 A1 *	6/2012	Knapp	B08B 9/0557	15/104.061
D651,773 S *	1/2012	Antal	D32/14		2014/0123417 A1 *	5/2014	Chee	B08B 9/055	15/104.061
						2014/0352123 A1 *	12/2014	Sonnenberg	F16L 55/46	29/426.1

* cited by examiner

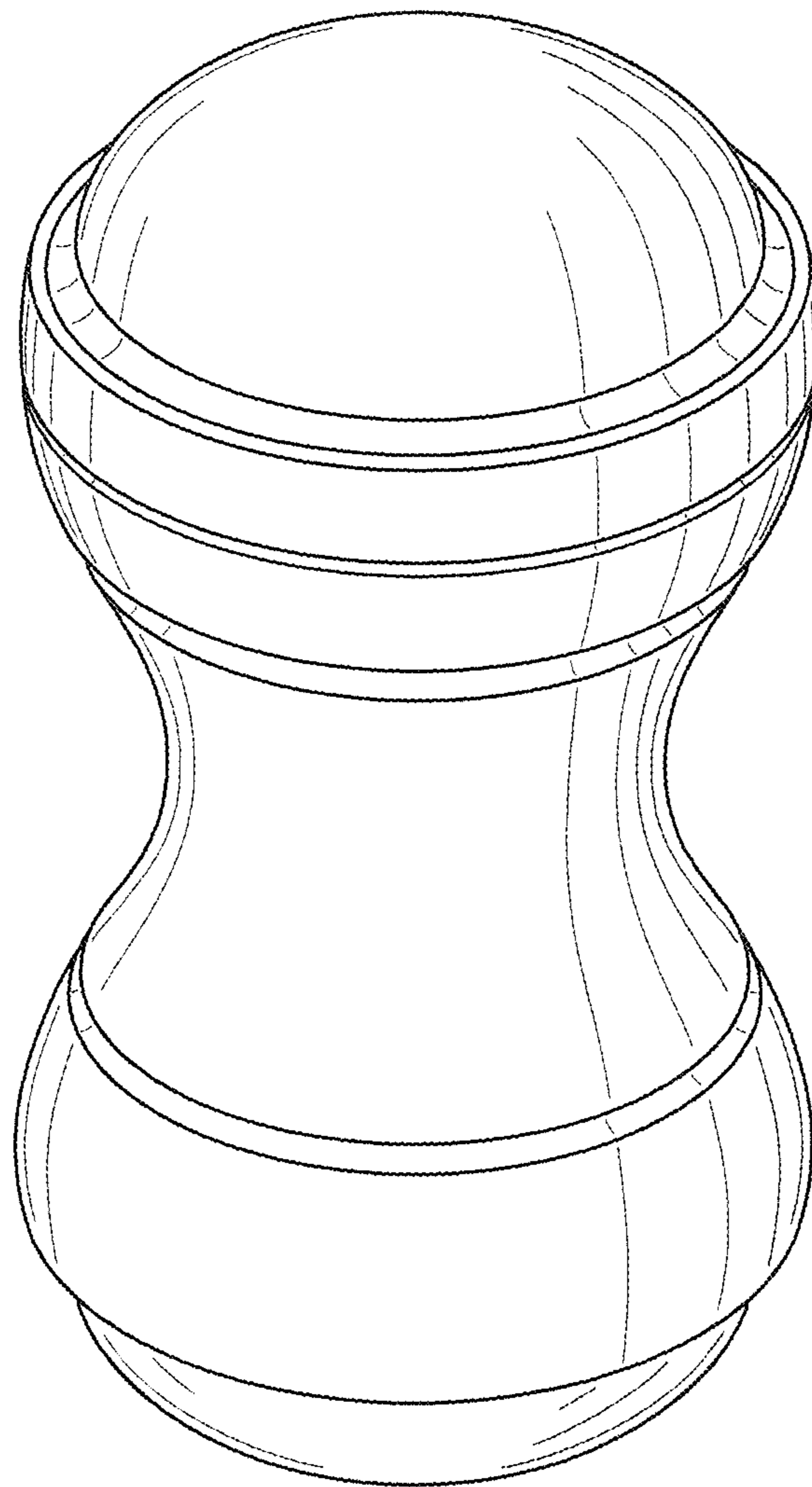


FIG. 1

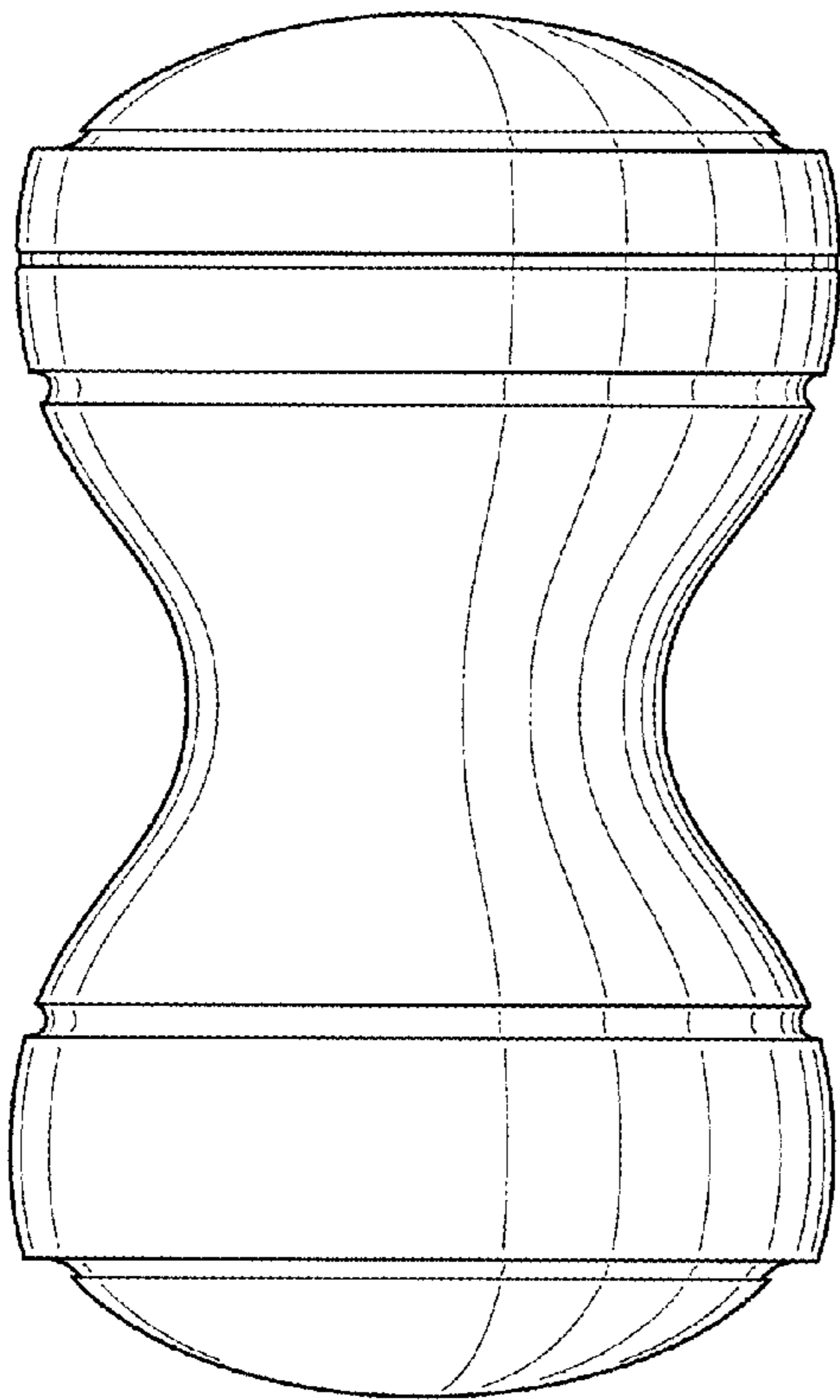


FIG. 2

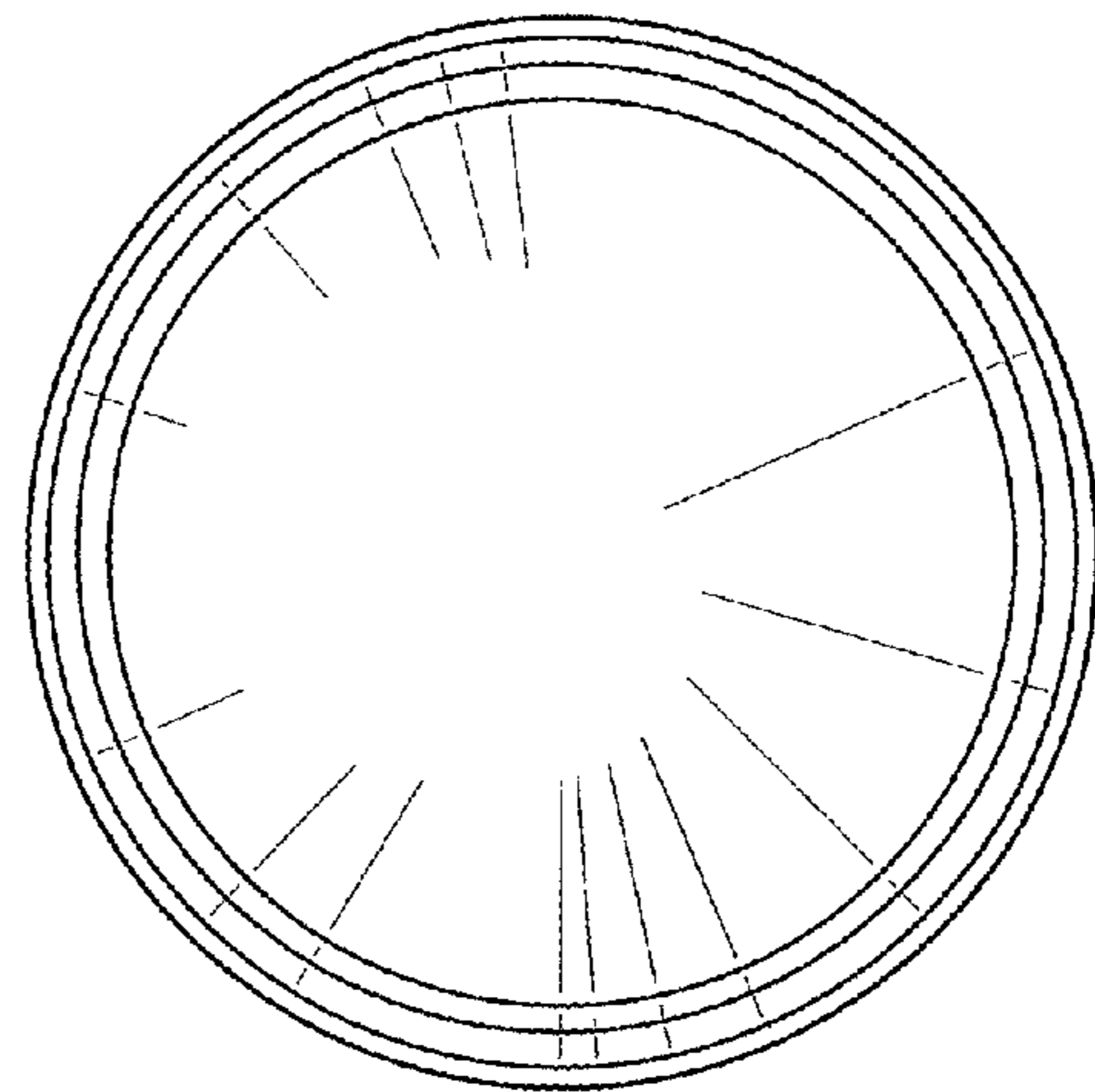


FIG. 3

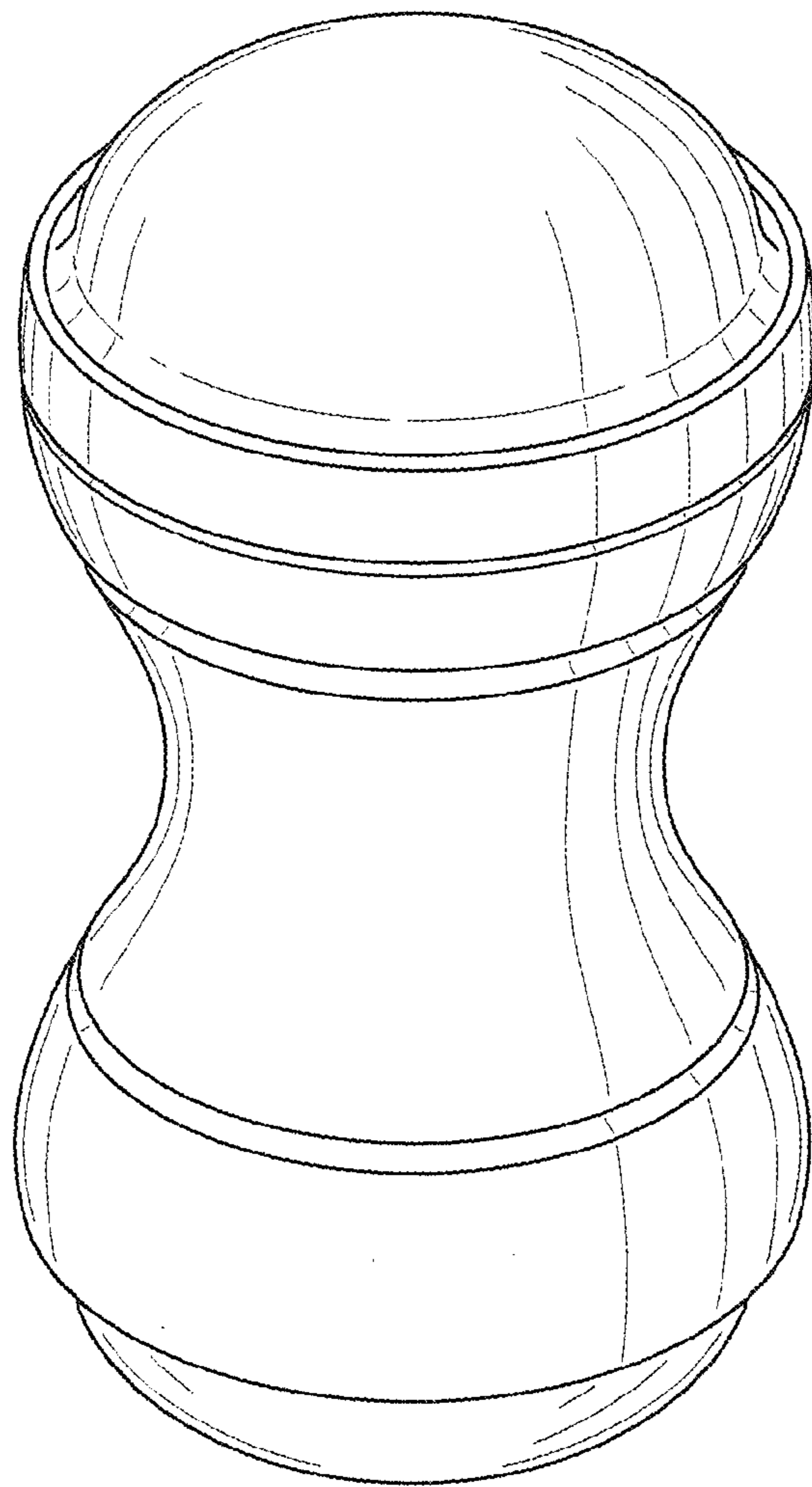


FIG. 4

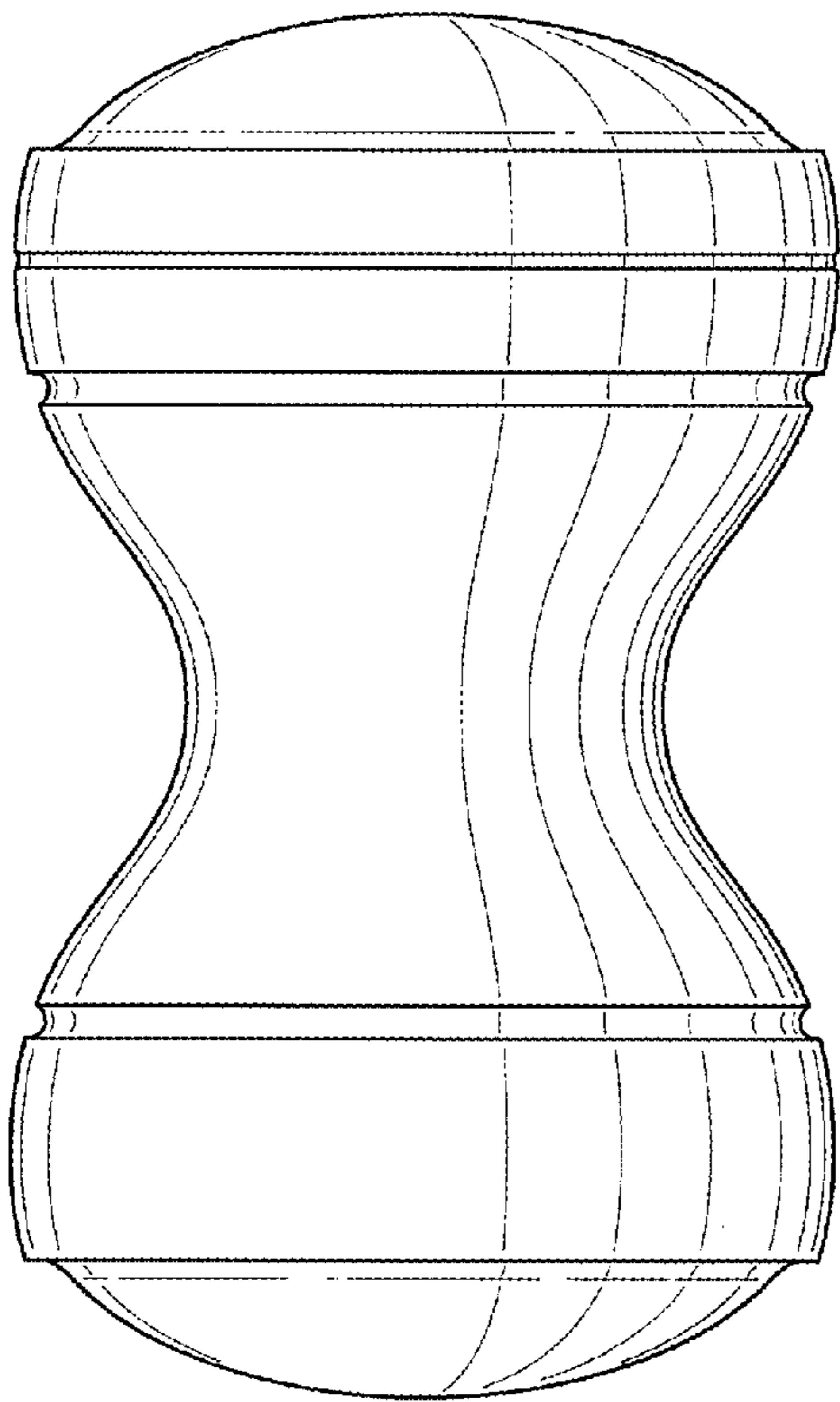


FIG. 5

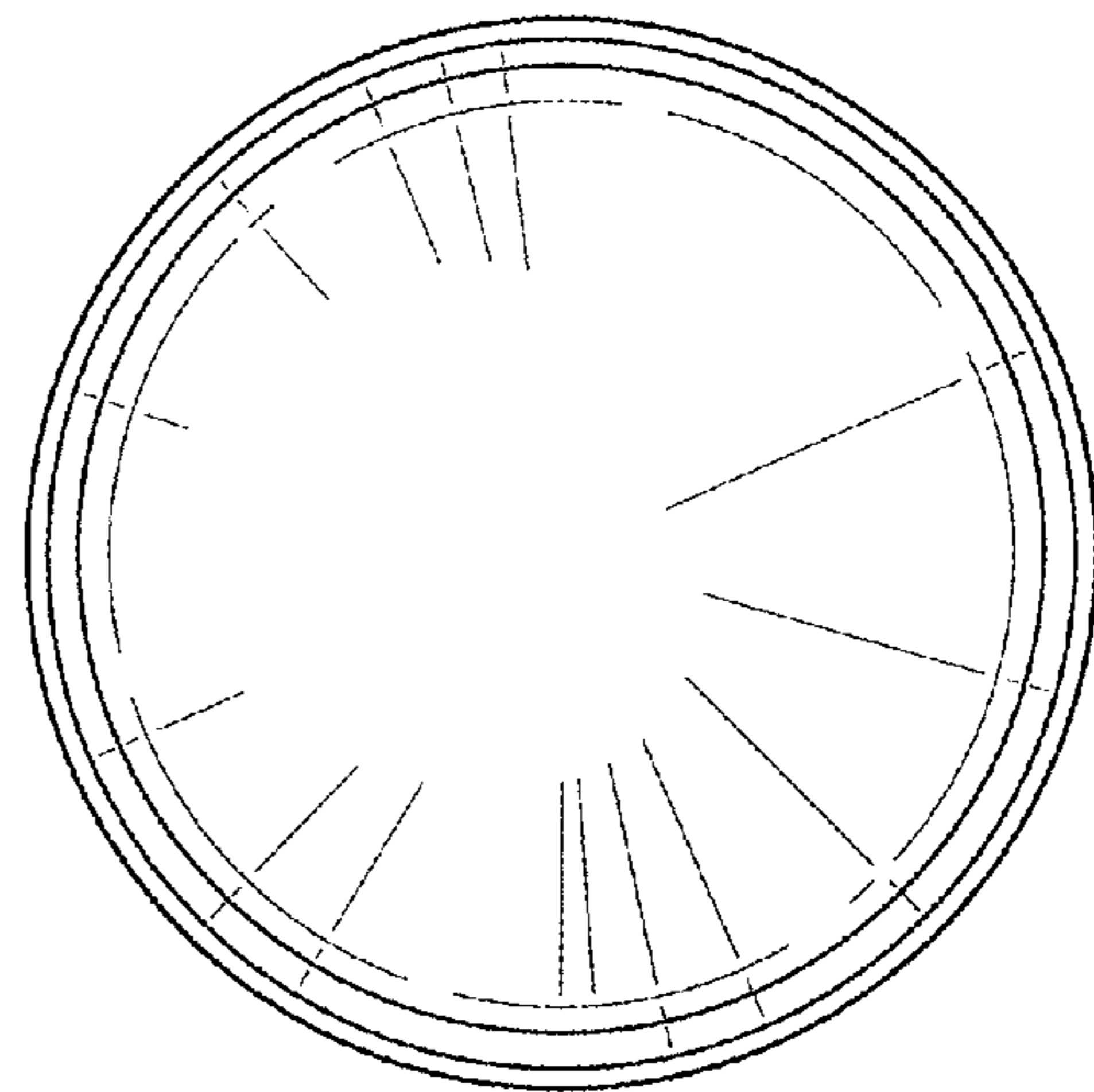


FIG. 6