



US00D759212S

(12) **United States Design Patent**
Eads

(10) **Patent No.:** **US D759,212 S**
(45) **Date of Patent:** **** Jun. 14, 2016**

(54) **FAUCET SPOUT**

(71) Applicant: **Delta Faucet Company**, Indianapolis,
IN (US)

(72) Inventor: **Thad Eads**, North Manchester, IN (US)

(73) Assignee: **DELTA FAUCET COMPANY**,
Indianapolis, IN (US)

(**) Term: **15 Years**

(21) Appl. No.: **29/528,501**

(22) Filed: **May 29, 2015**

(51) **LOC (10) Cl.** **23-01**

(52) **U.S. Cl.**
USPC **D23/255**

(58) **Field of Classification Search**
USPC D23/238-243, 249, 255, 257
CPC E03C 1/04; E03C 1/0401; E03C 1/0402;
E03C 1/0404

See application file for complete search history.

(56) **References Cited**

U.S. PATENT DOCUMENTS

D203,244 S * 12/1965 Bilkiss D23/255
D290,161 S * 6/1987 Paul D23/242
D737,941 S * 9/2015 Eads D23/255

* cited by examiner

Primary Examiner — Robert Delehanty
(74) *Attorney, Agent, or Firm* — Edgar A. Zarins; Nirav D. Parikh

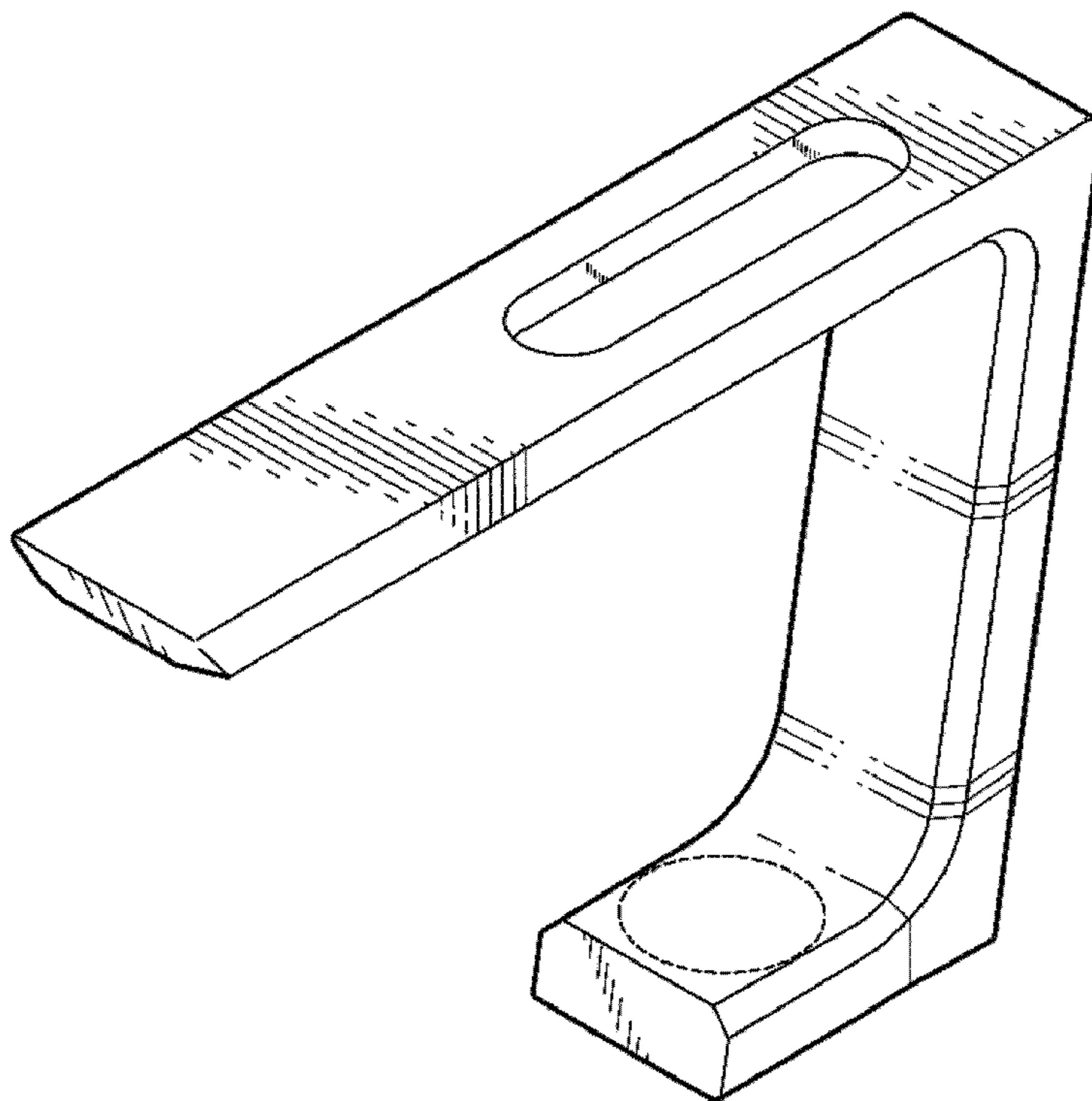
(57) **CLAIM**

The ornamental design for a faucet spout, as shown and described.

DESCRIPTION

FIG. 1 is a perspective view of a faucet spout showing my new design;
FIG. 2 is a front elevational view thereof;
FIG. 3 is a rear view thereof;
FIG. 4 is a top plan view thereof;
FIG. 5 is a right side view thereof, the opposite side being a mirror image of the side shown; and,
FIG. 6 is a bottom view thereof.
The broken lines showing portions of the faucet form no part of the claimed design.

1 Claim, 2 Drawing Sheets



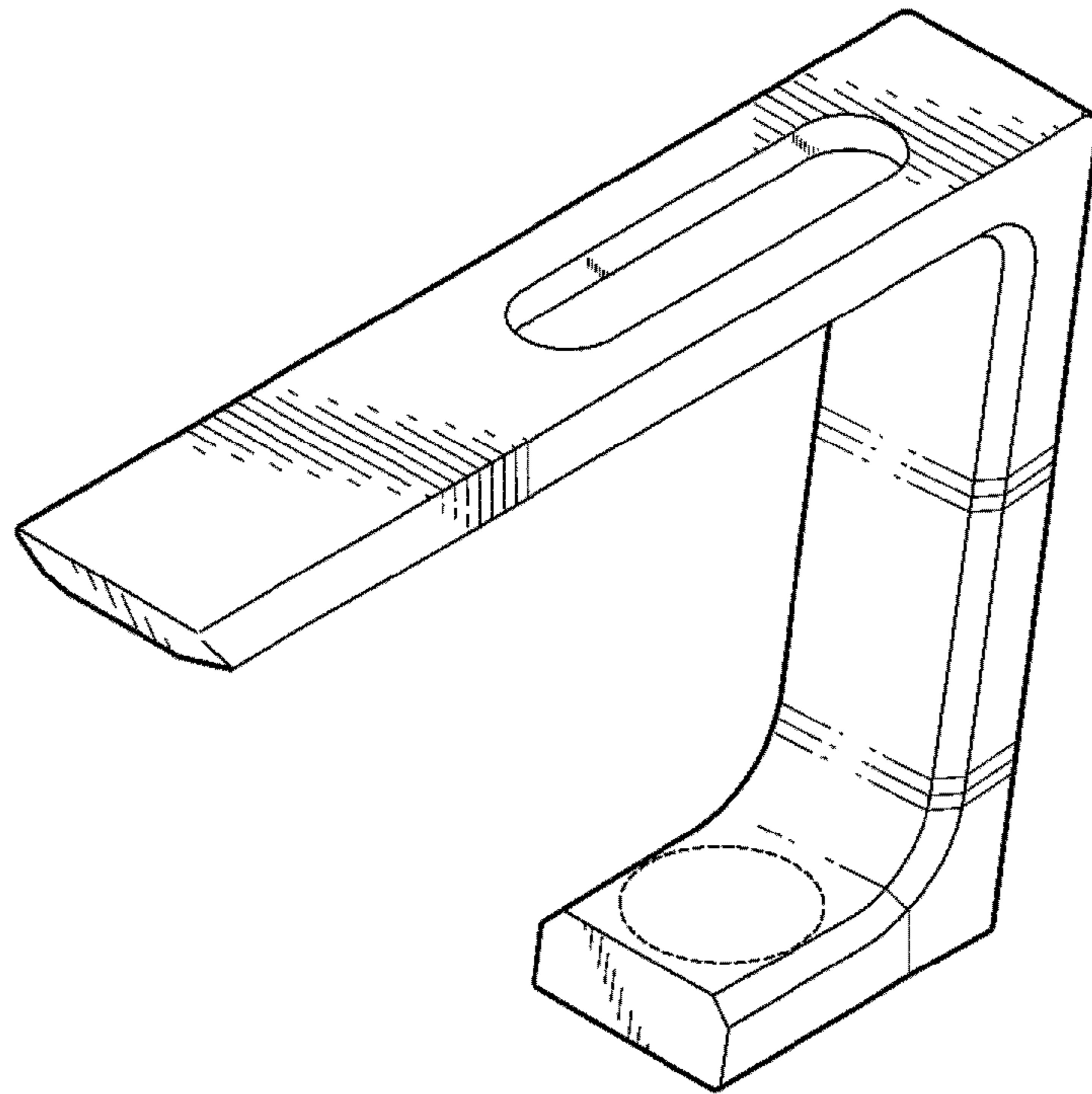


Fig-1

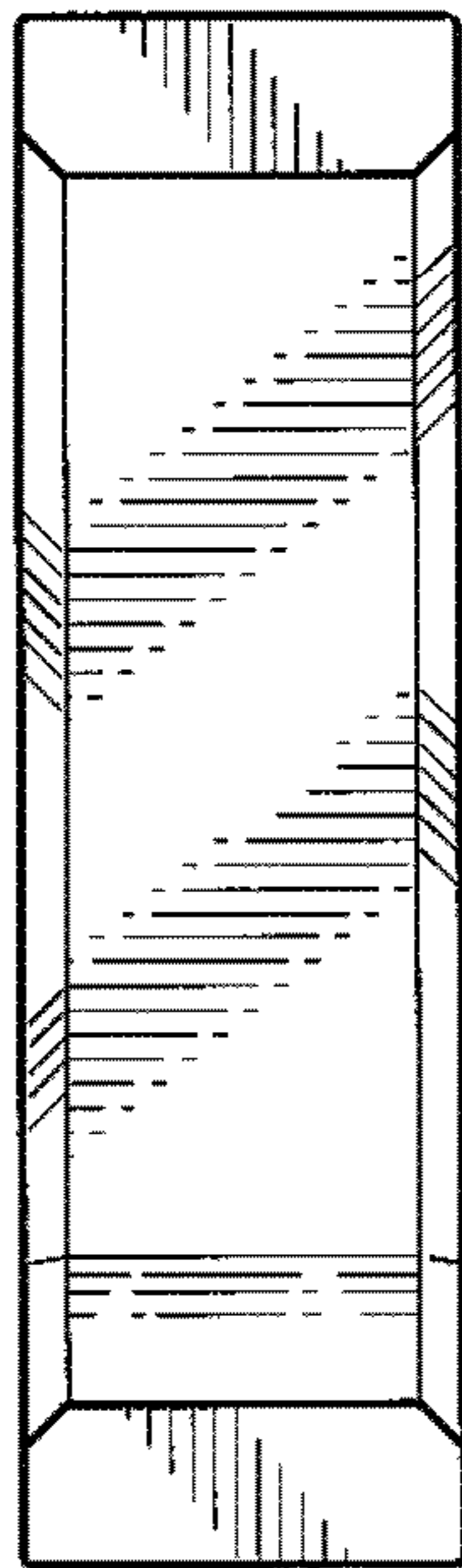


Fig-2

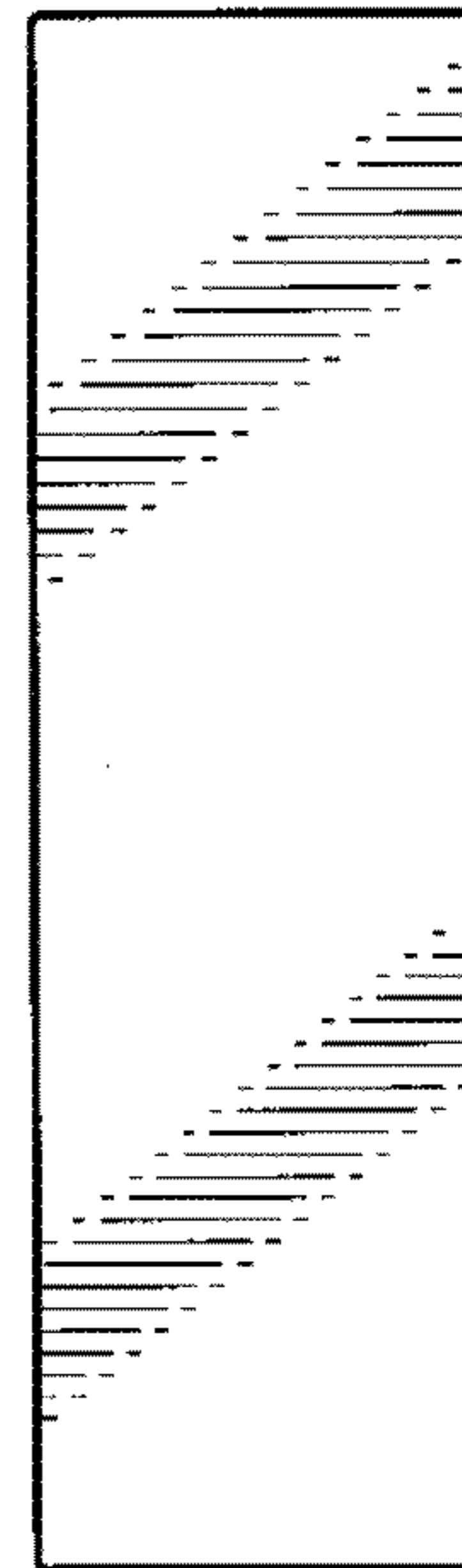


Fig-3

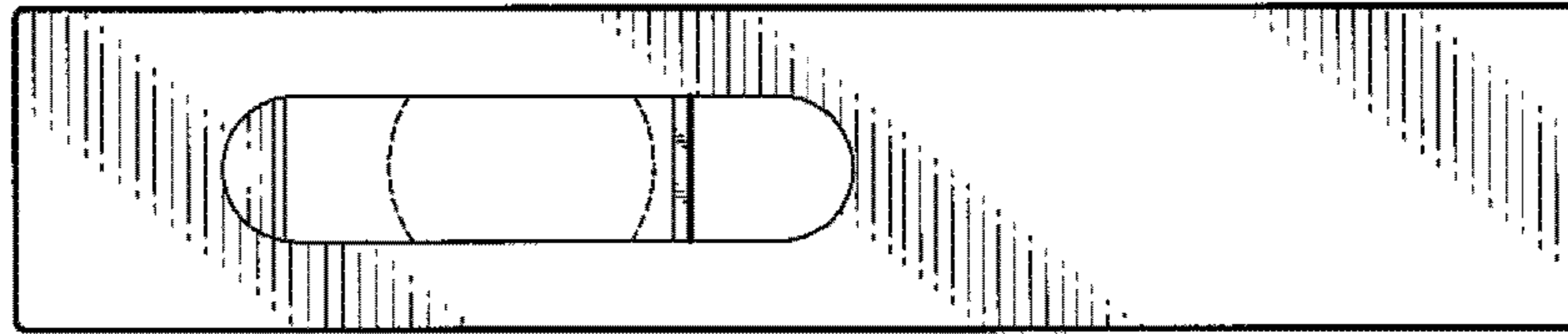


Fig-4

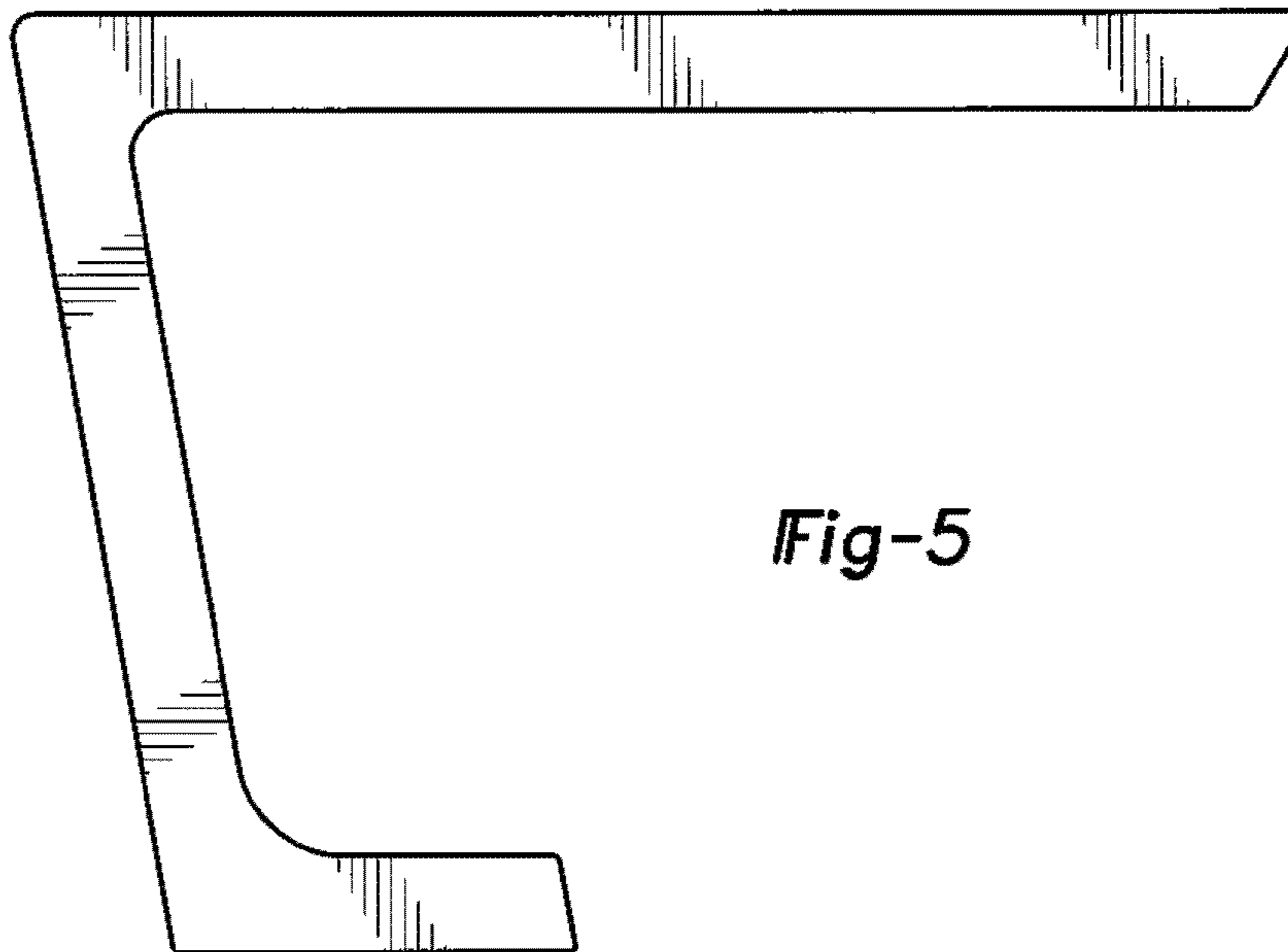


Fig-5

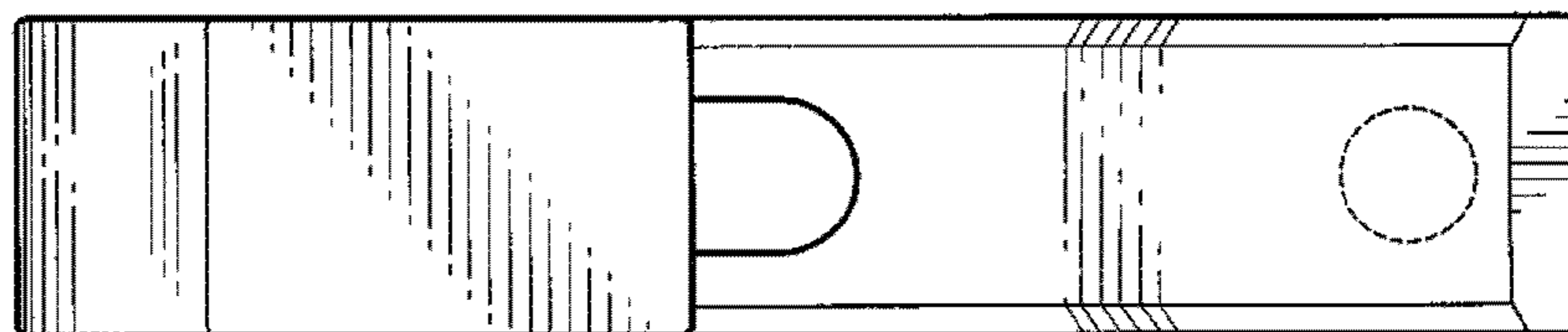


Fig-6