



US00D759211S

(12) **United States Design Patent**
Flowers et al.

(10) **Patent No.:** **US D759,211 S**
(45) **Date of Patent:** **** Jun. 14, 2016**

(54) **BATH MIXER**

(71) Applicant: **Grohe AG**, Hemer (DE)

(72) Inventors: **Paul Flowers**, London (GB); **Jochen Allard**, Menden (DE)

(73) Assignee: **Grohe AG**, Hemer (DE)

(**) Term: **14 Years**

(21) Appl. No.: **29/524,325**

(22) Filed: **Apr. 20, 2015**

(30) **Foreign Application Priority Data**

Oct. 20, 2014 (EM) 002560276-0003

(51) **LOC (10) Cl.** **23-01**

(52) **U.S. Cl.**
USPC **D23/255**

(58) **Field of Classification Search**
USPC D23/238-243, 255, 257
CPC E03C 1/04; E03C 1/0401; E03C 1/0402;
E03C 1/0404

See application file for complete search history.

(56) **References Cited**

U.S. PATENT DOCUMENTS

D149,388 S *	4/1948	Stratmore	D23/240
D233,235 S *	10/1974	Arbon	D23/238
D540,912 S *	4/2007	Qing	D23/238
D645,940 S *	9/2011	Ando	D23/241

* cited by examiner

Primary Examiner — Robert Delehanty

(74) *Attorney, Agent, or Firm* — Muncy, Geissler, Olds & Lowe, P.C.

(57) **CLAIM**

The ornamental design for a bath mixer, as shown and described.

DESCRIPTION

FIG. 1 is a front perspective view of a bath mixer according to the present invention.

FIG. 2 is a left side view of the bath mixer of FIG. 1.

FIG. 3 is a right side view of the bath mixer of FIG. 1.

FIG. 4 is a top view of the bath mixer of FIG. 1.

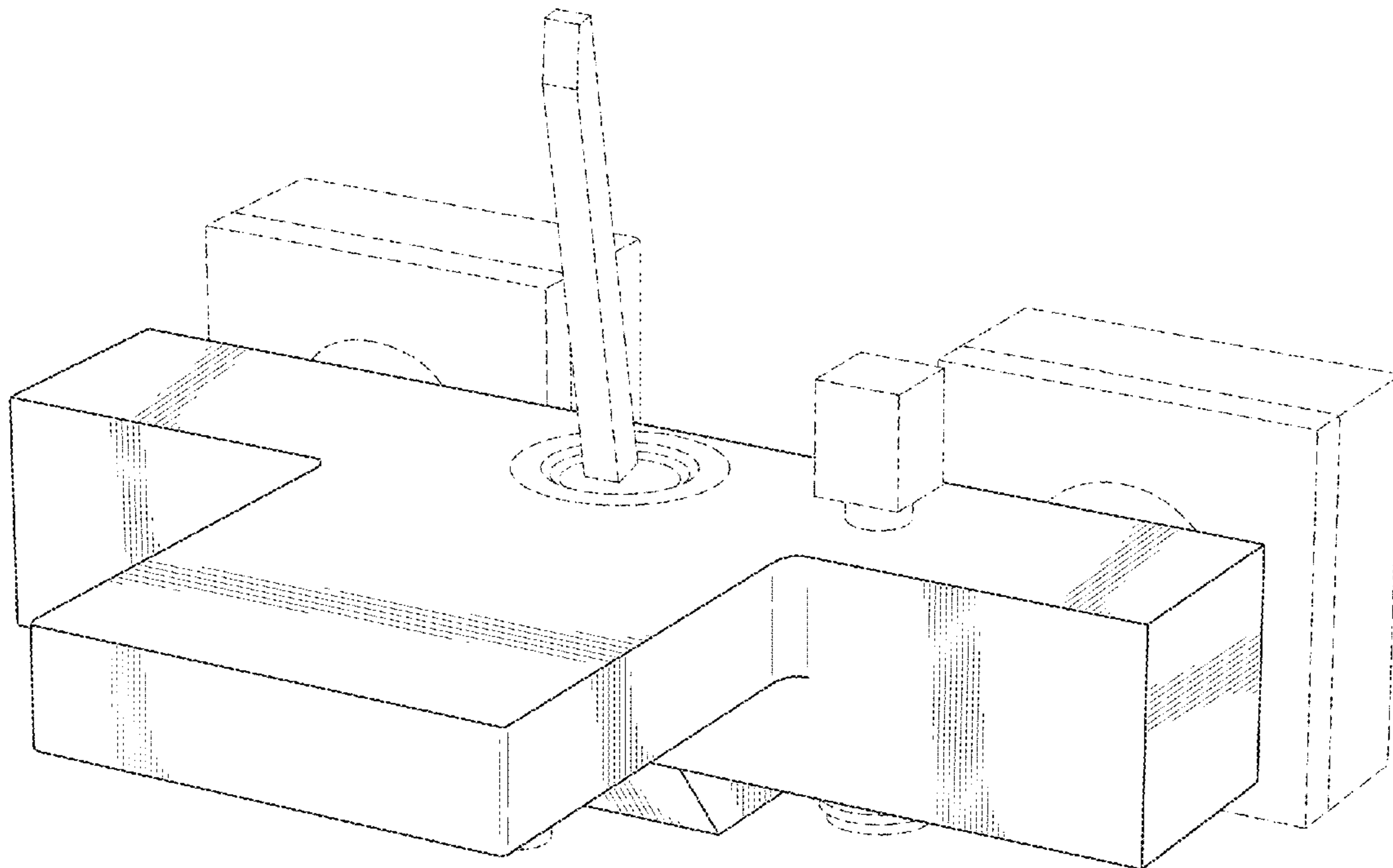
FIG. 5 is a bottom view of the bath mixer of FIG. 1.

FIG. 6 is a front view of the bath mixer of FIG. 1; and,

FIG. 7 is a rear view of the bath mixer of FIG. 1.

The dashed lines illustrate environment that does not form a part of the present invention, and no claim is made to the material illustrated with dashed lines.

1 Claim, 7 Drawing Sheets



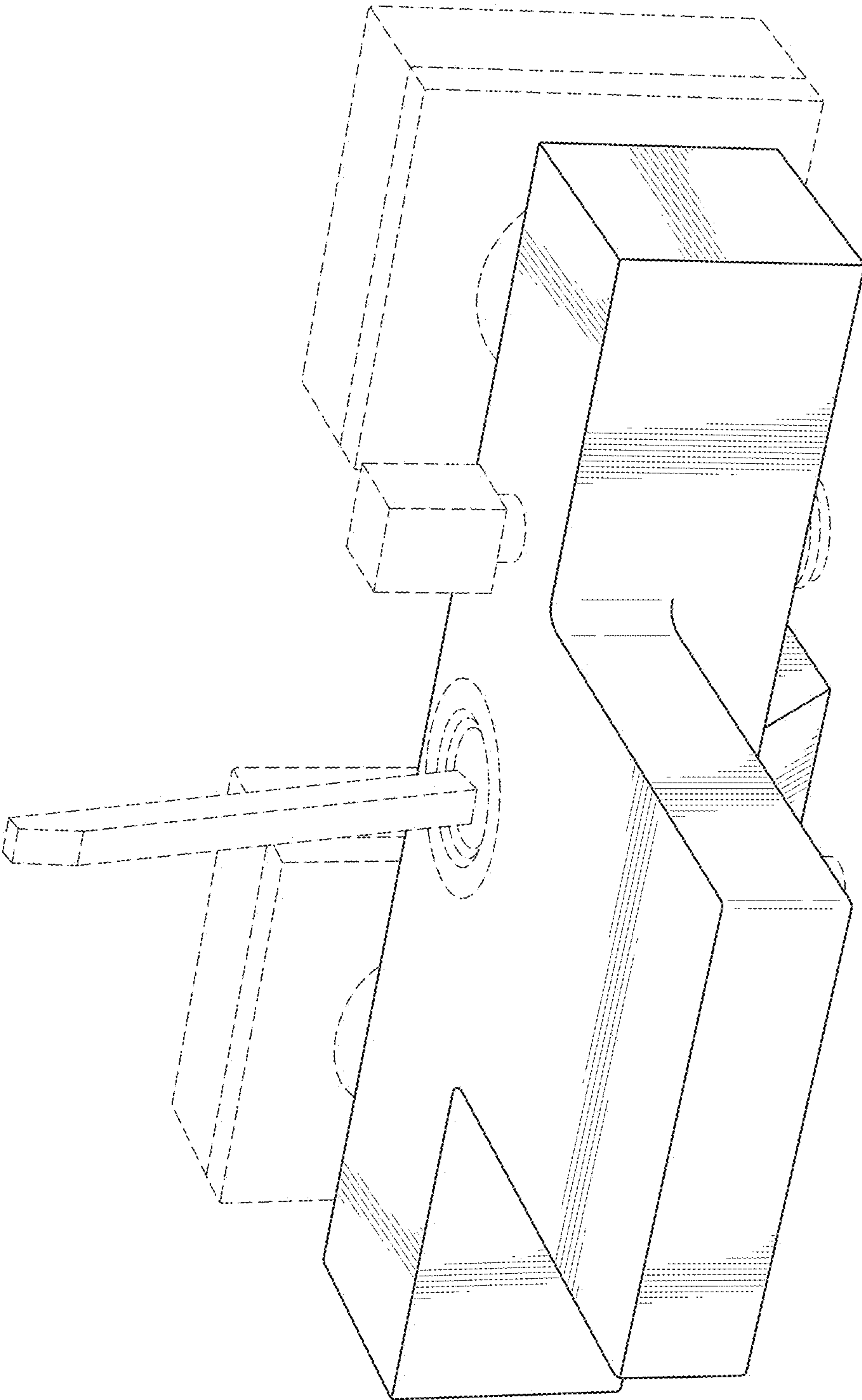


FIG.1

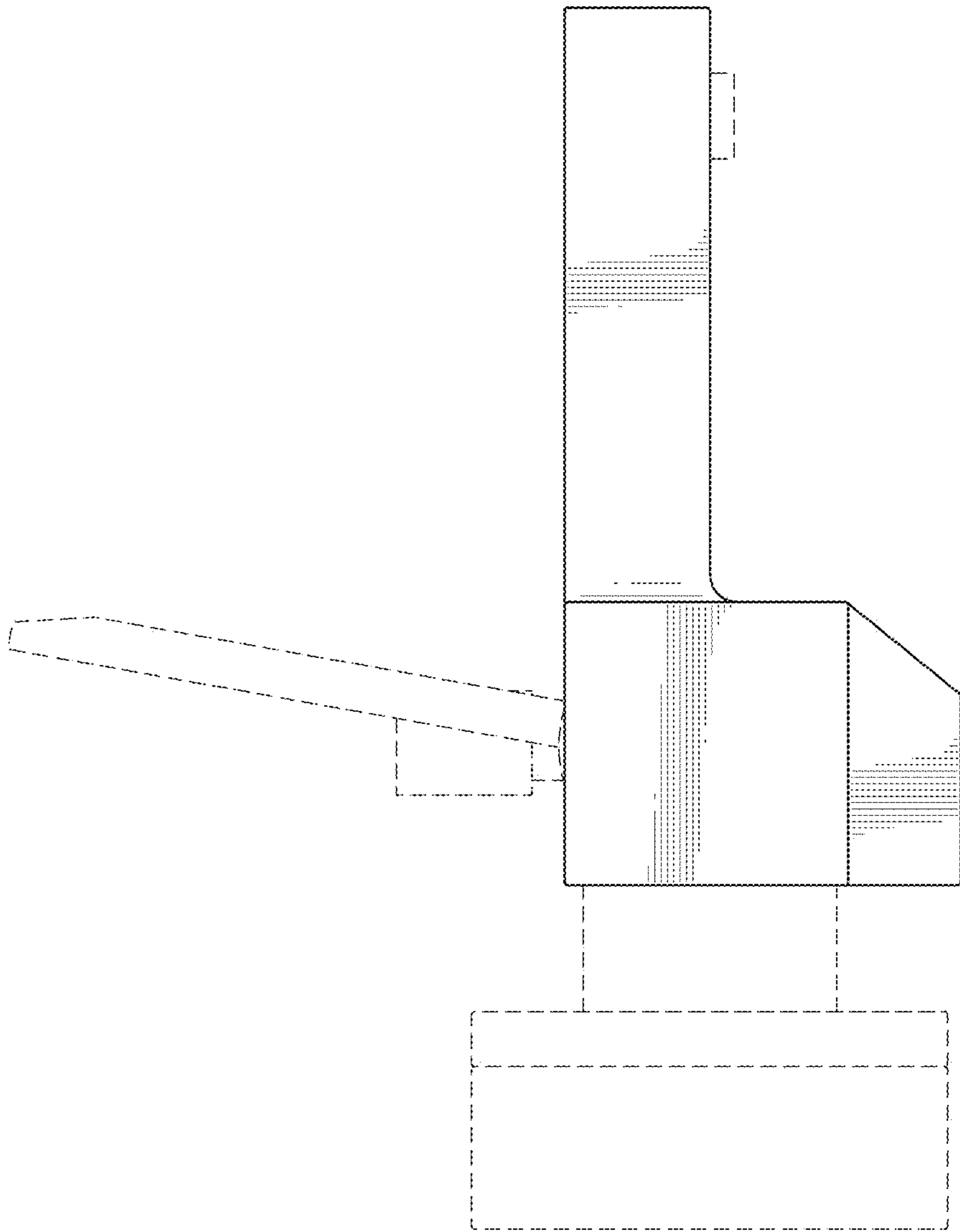


FIG. 2

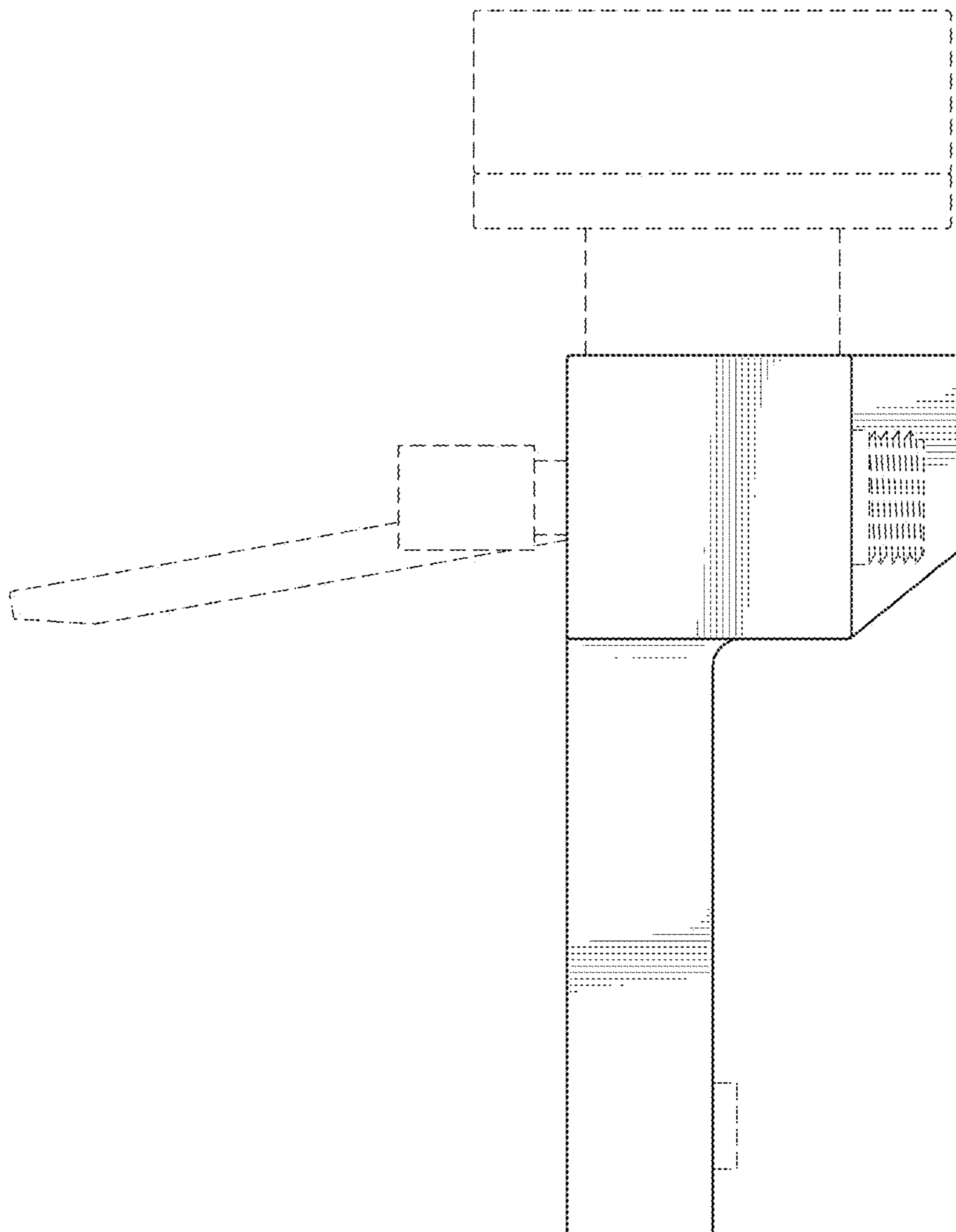


FIG. 3

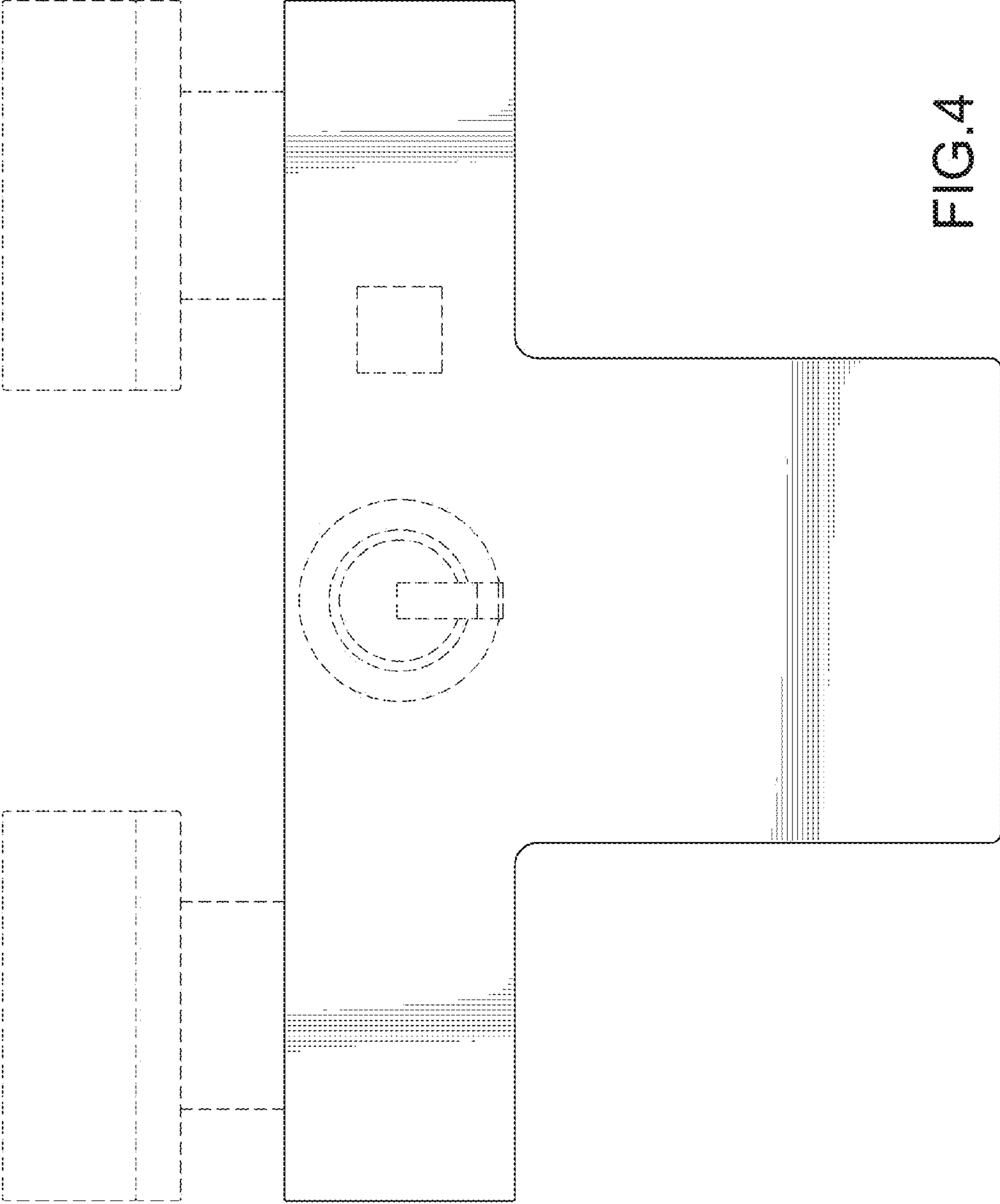


FIG.4

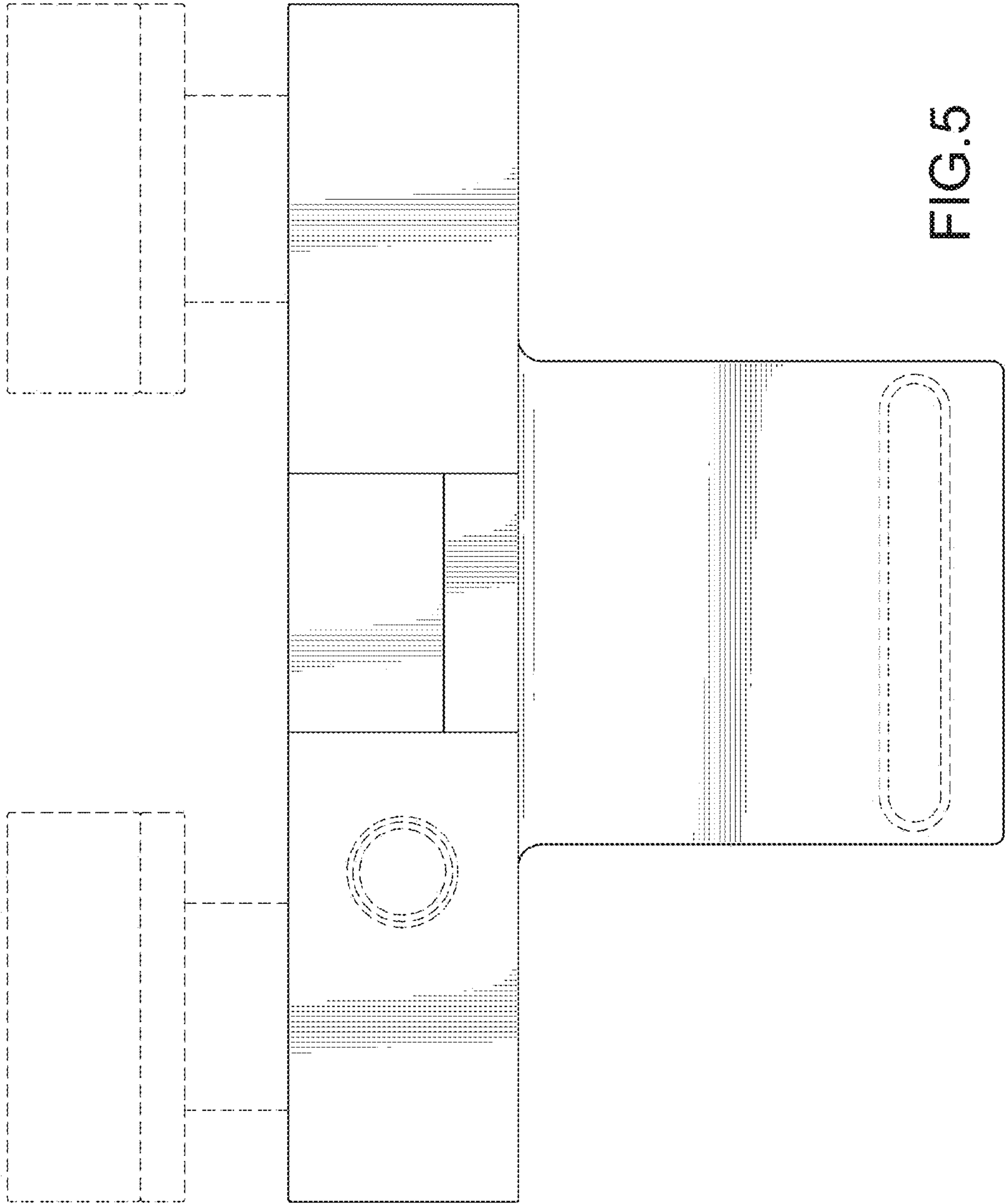


FIG. 5

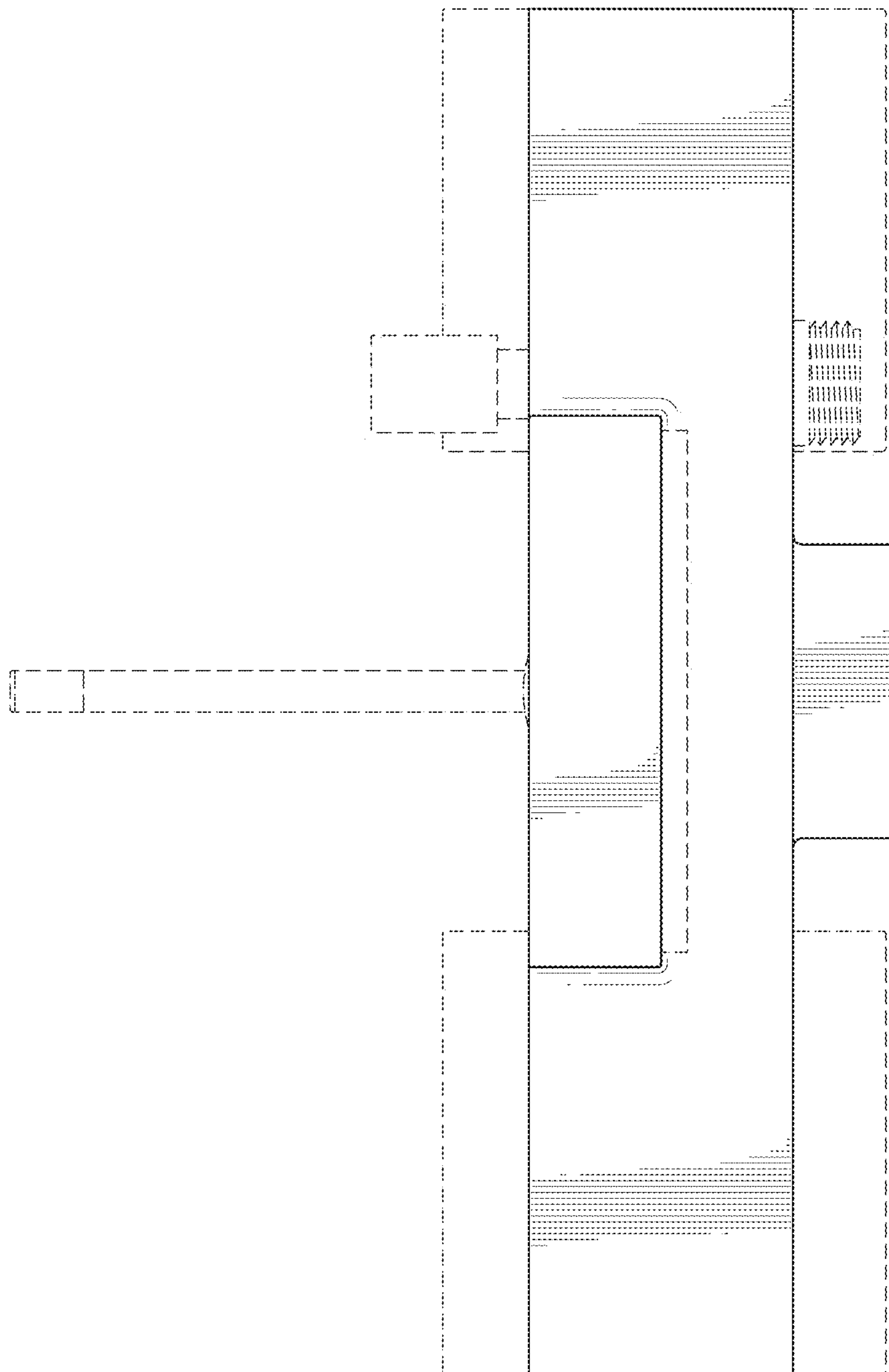


FIG. 6

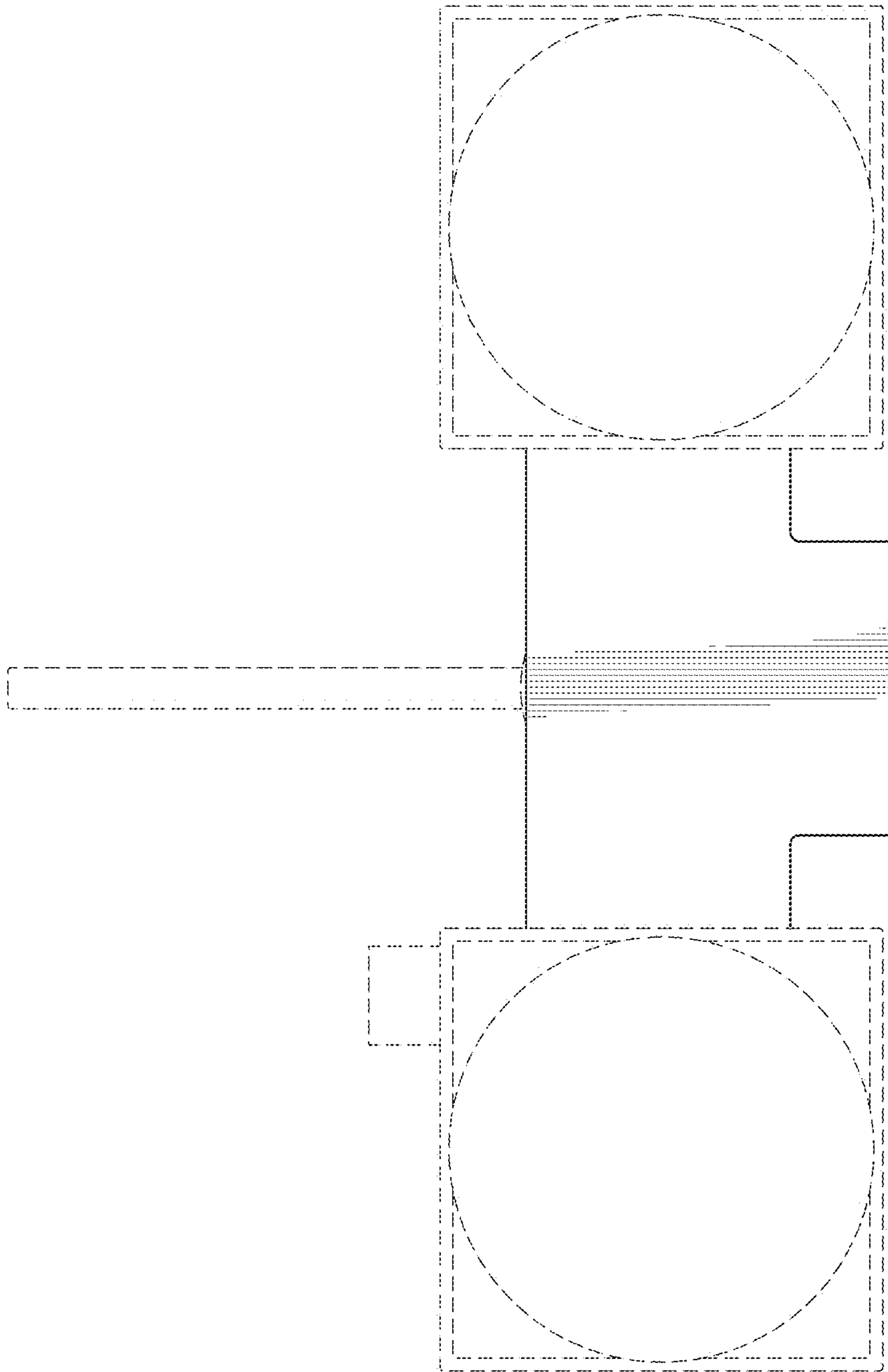


FIG. 7