



US00D759210S

(12) **United States Design Patent**
Schoolcraft et al.

(10) **Patent No.:** **US D759,210 S**
(45) **Date of Patent:** **** Jun. 14, 2016**

(54) **PLUMBING FITTING**

FOREIGN PATENT DOCUMENTS

(71) Applicant: **ZURN INDUSTRIES, LLC**, Sanford, NC (US)

CH 485076 A 1/1970
EP 0347527 12/1989
EP 1245741 10/2002

(72) Inventors: **John Kevin Schoolcraft**, Sanford, NC (US); **Craig Saunders**, Rocky River, OH (US); **Paul Stephens**, Twinsburg, OH (US); **Jason Tilk**, Cleveland Heights, OH (US); **Alex Velet**, Westlake, OH (US); **Michael Liebal**, Greensboro, NC (US); **Sean M. Chenard**, Raleigh, NC (US); **Roy Leviner, III**, Aberdeen, NC (US)

OTHER PUBLICATIONS

Moen Product Reference Guide, 2007.

(Continued)

Primary Examiner — John Windmuller

Assistant Examiner — Steven Czyz

(74) *Attorney, Agent, or Firm* — Quarles & Brady LLP

(73) Assignee: **Zurn Industries, LLC**, Milwaukee, WI (US)

(57) **CLAIM**

The ornamental design for a plumbing fitting, as shown and described.

(**) Term: **14 Years**

DESCRIPTION

(21) Appl. No.: **29/471,335**

(22) Filed: **Oct. 30, 2013**

(51) **LOC (10) Cl.** **23-01**

(52) **U.S. Cl.**
USPC **D23/255**; D23/259

(58) **Field of Classification Search**
USPC D23/259–269, 238–242, 255; 137/801;
239/25; 4/675–678

See application file for complete search history.

FIG. 1 is a bottom perspective view of a plumbing fitting showing our new design;
FIG. 2 is a bottom plan view thereof;
FIG. 3 is a side sectional view taken along line 3-3 of FIG. 2;
FIG. 4 is a rear looking sectional view taken along line 4-4 of FIG. 2;
FIG. 5 is a front looking sectional view taken along line 5-5 of FIG. 2;
FIG. 6 is a bottom perspective view of a plumbing fitting showing another embodiment of our new design;
FIG. 7 is a bottom plan view thereof;
FIG. 8 is a side sectional view taken along line 8-8 of FIG. 7;
FIG. 9 is a rear looking sectional view taken along line 9-9 of FIG. 7; and,
FIG. 10 is a front looking sectional view taken along line 10-10 of FIG. 7.

The broken lines depict portions of the article that form no part of the claimed design.

The nature of this product is a plumbing fitting, such as a spout, or portion thereof, for a sensor activated faucet.

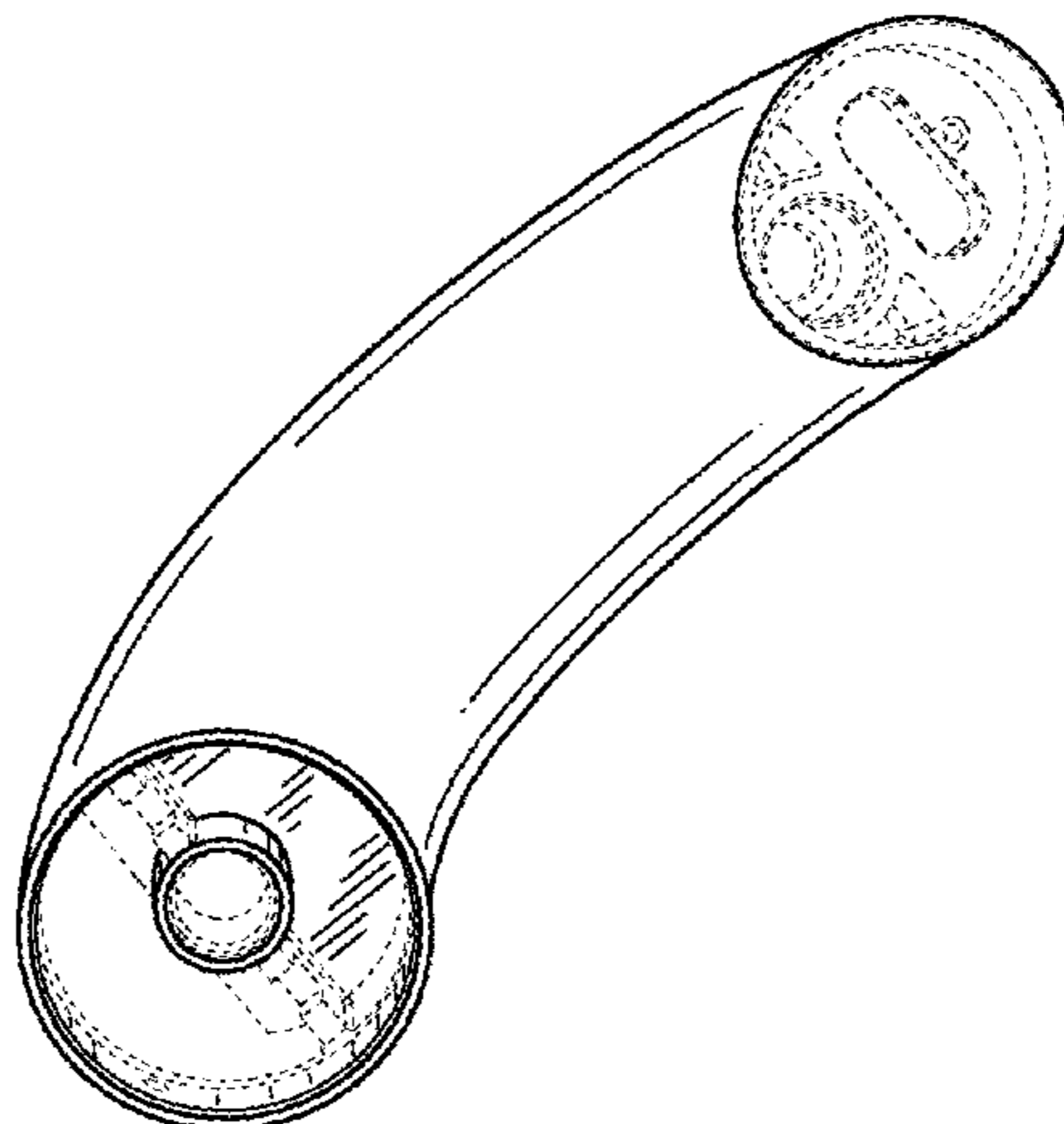
(56) **References Cited**

U.S. PATENT DOCUMENTS

341,873 A 5/1886 Bayles
D28,544 S * 5/1898 Levering et al. D23/259
4,186,761 A 2/1980 Guarnieri
D254,564 S * 3/1980 Johnson D23/263
D278,270 S 4/1985 Niemann
D278,271 S 4/1985 Niemann
4,513,769 A 4/1985 Purcell

(Continued)

1 Claim, 4 Drawing Sheets



(56)

References Cited

U.S. PATENT DOCUMENTS						
D279,598	S	7/1985	Rademacher			
4,649,958	A	3/1987	Purcell			
4,735,357	A	4/1988	Gregory et al.			
4,762,273	A	8/1988	Gregory et al.			
4,767,922	A	8/1988	Stauffer			
D299,161	S *	12/1988	Frattini	D23/255		
4,839,039	A	6/1989	Parsons et al.			
4,894,874	A	1/1990	Wilson			
4,953,236	A	9/1990	Lee et al.			
D314,228	S *	1/1991	Haug	D23/238		
D315,786	S	3/1991	Pilolla et al.			
5,025,516	A *	6/1991	Wilson	E03C 1/057 250/221		
5,131,428	A	7/1992	Bory			
D329,688	S	9/1992	Yost			
5,224,509	A	7/1993	Tanaka et al.			
D339,853	S	9/1993	Higgins et al.			
5,243,717	A	9/1993	Yasuo			
D343,445	S	1/1994	Allen et al.			
D344,575	S	2/1994	Hill et al.			
D346,645	S	5/1994	Hill et al.			
D347,466	S	5/1994	Kolada et al.			
D348,510	S *	7/1994	Gottwald	D23/257		
D349,755	S *	8/1994	Altman	D23/255		
D349,756	S *	8/1994	Altman	D23/255		
D349,757	S *	8/1994	Altman	D23/255		
D353,876	S *	12/1994	Delabie	D23/238		
D356,631	S *	3/1995	Kolada	D23/255		
D361,624	S *	8/1995	Fabian	D23/257		
D361,826	S *	8/1995	Mine	D23/238		
D362,899	S	10/1995	Jans			
5,465,749	A *	11/1995	Sauter	E03C 1/0401 137/315.15		
D367,518	S *	2/1996	Bavoso	D23/238		
D368,303	S *	3/1996	Lobermeier	D23/243		
D369,651	S *	5/1996	Saadi	D23/255		
D371,827	S *	7/1996	Jans	D23/255		
5,555,912	A *	9/1996	Saadi	E03C 1/0404 137/801		
D378,123	S *	2/1997	Warshawsky	D23/242		
D379,849	S *	6/1997	Hill	D23/255		
D381,396	S *	7/1997	Paterson	D23/238		
D382,943	S *	8/1997	Doughty	D23/259		
D384,396	S *	9/1997	Doughty	D23/241		
5,669,417	A *	9/1997	Lian-Jie	E03C 1/0404 137/606		
5,694,653	A *	12/1997	Harald	E03C 1/057 4/559		
5,746,244	A *	5/1998	Woolley, Sr.	E03C 1/04 137/359		
D398,379	S *	9/1998	Vidal	D23/259		
5,803,120	A *	9/1998	Bertoli	E03C 1/04 137/801		
5,855,356	A *	1/1999	Fait	E03C 1/057 236/12.12		
D405,165	S *	2/1999	Kolada	D23/257		
D406,880	S *	3/1999	Doughty	D23/255		
D407,801	S *	4/1999	Kolada	D23/257		
5,894,262	A *	4/1999	McCavit	H02J 13/00 340/328		
5,960,490	A *	10/1999	Pitsch	E03C 1/04 137/359		
D416,312	S *	11/1999	Kolada	D23/255		
5,979,489	A *	11/1999	Pitsch	E03C 1/04 137/269		
5,984,262	A	11/1999	Parsons et al.			
6,006,784	A *	12/1999	Tsutsui	E03C 1/0403 137/359		
D421,642	S *	3/2000	Ko	D23/255		
D423,650	S *	4/2000	Fabian	D23/255		
D423,651	S *	4/2000	Fabian	D23/255		
D424,169	S *	5/2000	Snyder	D23/238		
D425,970	S *	5/2000	Milrud	D23/255		
D427,666	S *	7/2000	Wei	D23/238		
6,082,407	A *	7/2000	Paterson	E03C 1/04 137/801		
D431,285	S *	9/2000	Paterson	D23/249		
D434,477	S *	11/2000	Meda	D23/255		
6,170,098	B1	1/2001	Pitsch			
6,189,569	B1	2/2001	Calhoun			
6,202,980	B1	3/2001	Vincent et al.			
D441,836	S *	5/2001	Mark et al.	D23/238		
D441,847	S *	5/2001	Oliver	D23/255		
D443,337	S *	6/2001	Mark et al.	D23/238		
D446,843	S	8/2001	Martinez			
D447,219	S *	8/2001	Donath, Jr.	D23/238		
D448,452	S	9/2001	Pitsch et al.			
6,294,786	B1	9/2001	Marcichow et al.			
6,301,727	B1	10/2001	Bertrand et al.			
6,321,785	B1	11/2001	Bergmann			
6,334,226	B1	1/2002	Tokunaga et al.			
6,360,770	B1	3/2002	Buchner et al.			
6,370,712	B1	4/2002	Burns et al.			
D457,939	S *	5/2002	Gottwald	D23/238		
6,385,798	B1	5/2002	Burns et al.			
D460,524	S	7/2002	Green et al.			
D461,542	S *	8/2002	Shieh	D23/255		
D461,543	S	8/2002	Müllenmeister			
D461,879	S	8/2002	Müllenmeister			
D462,419	S *	9/2002	Gottwald	D23/238		
D463,015	S	9/2002	Chang			
D463,531	S *	9/2002	Gottwald	D23/238		
D463,846	S	10/2002	Ko			
D464,113	S	10/2002	Lord et al.			
D464,121	S *	10/2002	Storti	D23/255		
D464,398	S	10/2002	Spangler et al.			
D465,007	S	10/2002	Spangler et al.			
D465,554	S	11/2002	Spangler et al.			
D465,556	S	11/2002	Ouyoung			
D466,196	S	11/2002	Otero et al.			
D469,518	S	1/2003	Bates et al.			
D470,925	S *	2/2003	Blomstrom	D23/255		
6,513,787	B1	2/2003	Jeromson et al.			
6,517,720	B1	2/2003	Aldred et al.			
D471,962	S	3/2003	Spangler et al.			
D472,609	S	4/2003	Marshall			
D473,928	S	4/2003	Lord et al.			
D476,396	S *	6/2003	Hanna	D23/238		
D476,720	S *	7/2003	Hanna	D23/238		
D477,054	S	7/2003	Schönherr et al.			
D480,784	S	10/2003	Hunt			
6,631,730	B1	10/2003	Bloom et al.			
6,691,340	B2	2/2004	Honda et al.			
D487,500	S	3/2004	Blattner			
D487,923	S	3/2004	Fraser et al.			
D488,540	S *	4/2004	Ouyoung	D23/255		
D490,880	S	6/2004	Lin			
D491,633	S	6/2004	Ouyoung			
D491,637	S	6/2004	Lin			
D491,638	S	6/2004	Lin			
6,817,379	B2	11/2004	Perla et al.			
D506,811	S *	6/2005	Nakamura et al.	D23/259		
6,918,400	B2	7/2005	Buchner et al.			
D510,760	S *	10/2005	Blomstrom	D23/238		
D510,978	S	10/2005	Kulig			
D511,201	S	11/2005	Kulig et al.			
D511,562	S	11/2005	Ouyoung			
D511,817	S *	11/2005	Ouyoung	D23/255		
D512,132	S	11/2005	Spangler			
D514,667	S *	2/2006	Kemp	D23/255		
7,003,818	B2	2/2006	McNerney et al.			
D517,650	S *	3/2006	Shieh	D23/238		
D517,659	S *	3/2006	Ouyoung	D23/255		
D517,663	S *	3/2006	Wolf	D23/255		
D518,877	S	4/2006	Kulig			
D524,424	S *	7/2006	Schaffeld	D23/255		
D526,699	S *	8/2006	Kulig	D23/238		
7,082,966	B2 *	8/2006	Kuo	E03C 1/0401 137/801		
7,083,156	B2 *	8/2006	Jost	E03C 1/057 251/285		
D529,584	S *	10/2006	Buschmann	D23/238		
D530,397	S *	10/2006	Buschmann	D23/238		

(56)

References Cited

U.S. PATENT DOCUMENTS

D530,787 S * 10/2006 Yoshioka et al. D23/238
 D534,992 S * 1/2007 Lobermeier et al. D23/243
 D535,355 S * 1/2007 Nord et al. D23/238
 D536,064 S * 1/2007 Zetsche D23/238
 D536,425 S * 2/2007 VanMarcke D23/255
 7,174,577 B2 2/2007 Jost et al.
 7,174,581 B2 2/2007 Mc Nerney
 D541,907 S * 5/2007 Qing D23/238
 7,228,874 B2 6/2007 Bolderheij et al.
 7,232,111 B2 6/2007 McDaniel et al.
 7,415,991 B2 * 8/2008 Meehan E03C 1/0404
 137/801
 D580,021 S * 11/2008 Chu D23/255
 D582,516 S 12/2008 Lobermeier et al.
 D582,517 S 12/2008 Lobermeier et al.
 D589,119 S 3/2009 Oh
 D591,830 S * 5/2009 Shieh D23/238
 7,537,195 B2 5/2009 McDaniel et al.
 D598,072 S * 8/2009 Zetsche et al. D23/238
 D599,439 S * 9/2009 Miyamoto D23/238
 D606,631 S 12/2009 Jones et al.
 7,631,372 B2 12/2009 Marty et al.
 D607,977 S 1/2010 Lin
 7,647,939 B2 1/2010 Lin
 7,650,653 B2 * 1/2010 Johnson E03C 1/0401
 251/128
 7,690,395 B2 4/2010 Jonte et al.
 D617,876 S 6/2010 Williams et al.
 7,735,519 B2 6/2010 Lin
 D620,083 S 7/2010 Zhang
 D624,630 S * 9/2010 Matsuura D23/255
 7,828,013 B2 11/2010 Lin
 7,871,057 B2 1/2011 Shimizu et al.
 D636,851 S 4/2011 Yu
 D637,271 S 5/2011 Lin
 7,956,480 B2 * 6/2011 Onodera F03B 13/00
 290/43
 7,992,590 B2 8/2011 Meehan et al.
 D646,758 S * 10/2011 Gessi D23/238
 8,046,850 B2 * 11/2011 Chang E03C 1/0404
 4/675
 8,051,507 B2 * 11/2011 Lin E03C 1/04
 137/603
 8,104,512 B2 * 1/2012 Nelson E03C 1/0404
 137/801
 D655,787 S * 3/2012 Obara D23/242
 D657,025 S * 4/2012 Slothower D23/255
 D657,439 S * 4/2012 Lammel D23/255
 8,185,984 B2 * 5/2012 Meehan E03C 1/0401
 137/801

8,220,492 B2 * 7/2012 Lin E03C 1/0401
 137/315.12
 8,439,075 B2 * 5/2013 Lin E03C 1/0404
 137/801
 D684,670 S * 6/2013 Hanus D23/255
 D706,906 S * 6/2014 Schoolcraft D23/255
 D713,508 S * 9/2014 Downey D23/238
 D719,641 S * 12/2014 Schoolcraft D23/249
 9,133,607 B2 * 9/2015 Schoolcraft E03C 1/057
 D744,617 S * 12/2015 Schoolcraft D23/255
 2003/0093857 A1 * 5/2003 Paterson E03C 1/0404
 4/675
 2004/0143898 A1 * 7/2004 Jost E03C 1/057
 4/623
 2005/0133100 A1 * 6/2005 Bolderheij E03C 1/04
 137/801
 2006/0085908 A1 * 4/2006 Daly E03C 1/0412
 4/695
 2006/0237072 A1 * 10/2006 Lee E03C 1/0401
 137/801
 2007/0204925 A1 9/2007 Bolderheij et al.
 2008/0093572 A1 * 4/2008 Wu E03C 1/057
 251/129.04
 2008/0099089 A1 * 5/2008 Yang E03C 1/0401
 137/625.48
 2008/0196159 A1 * 8/2008 Lee F16K 31/607
 4/678
 2008/0289697 A1 * 11/2008 Lin E03C 1/0401
 137/315.12
 2009/0078325 A1 * 3/2009 Lin E03C 1/0404
 137/801
 2009/0188995 A1 * 7/2009 Onodera E03C 1/0404
 239/383
 2009/0272445 A1 * 11/2009 Shimizu E03C 1/0404
 137/801
 2010/0275359 A1 * 11/2010 Guler E03C 1/057
 4/313
 2011/0133105 A1 * 6/2011 Simon E03C 1/057
 251/129.04
 2011/0272938 A1 * 11/2011 Lin F16L 37/248
 285/330

OTHER PUBLICATIONS

Moen M-Pact Valve—Illustrated Parts, Sep. 2010.
 Moen Valve—Illustrated Parts, Aug. 2008.
 Moen M-Pact Common Valve System, <http://pro.moen.com/about/mpact>.
 Moen Sensor Products, http://pro.moen.com/search?search_scope=0&search_terms=sensor.
 Partial International Search Report for related Application No. PCT/US2013/067555, dated Feb. 5, 2014.
 Ikool Faucets, <http://ikool.com.tw/products.php?ma=Survex>.

* cited by examiner

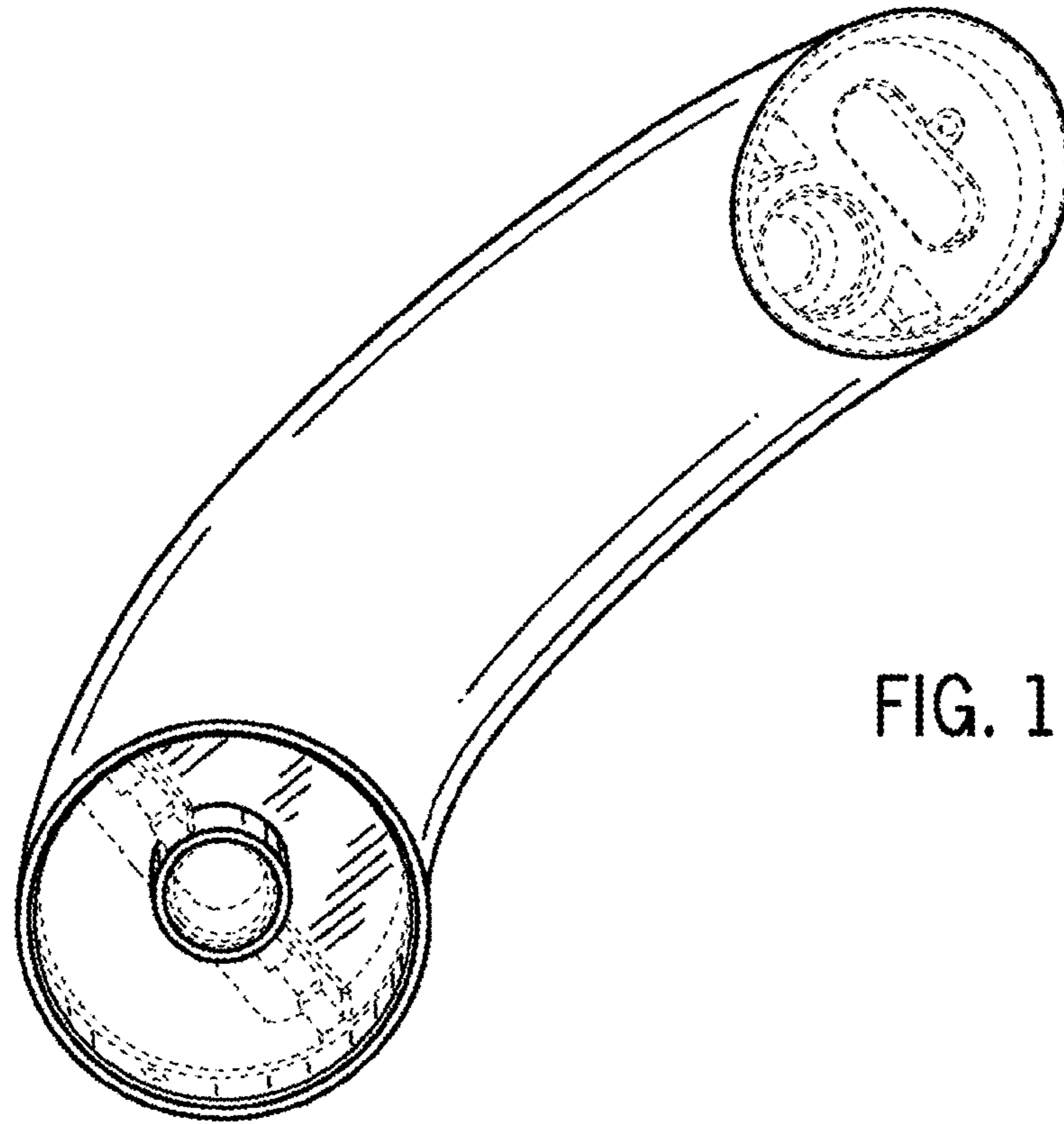


FIG. 1

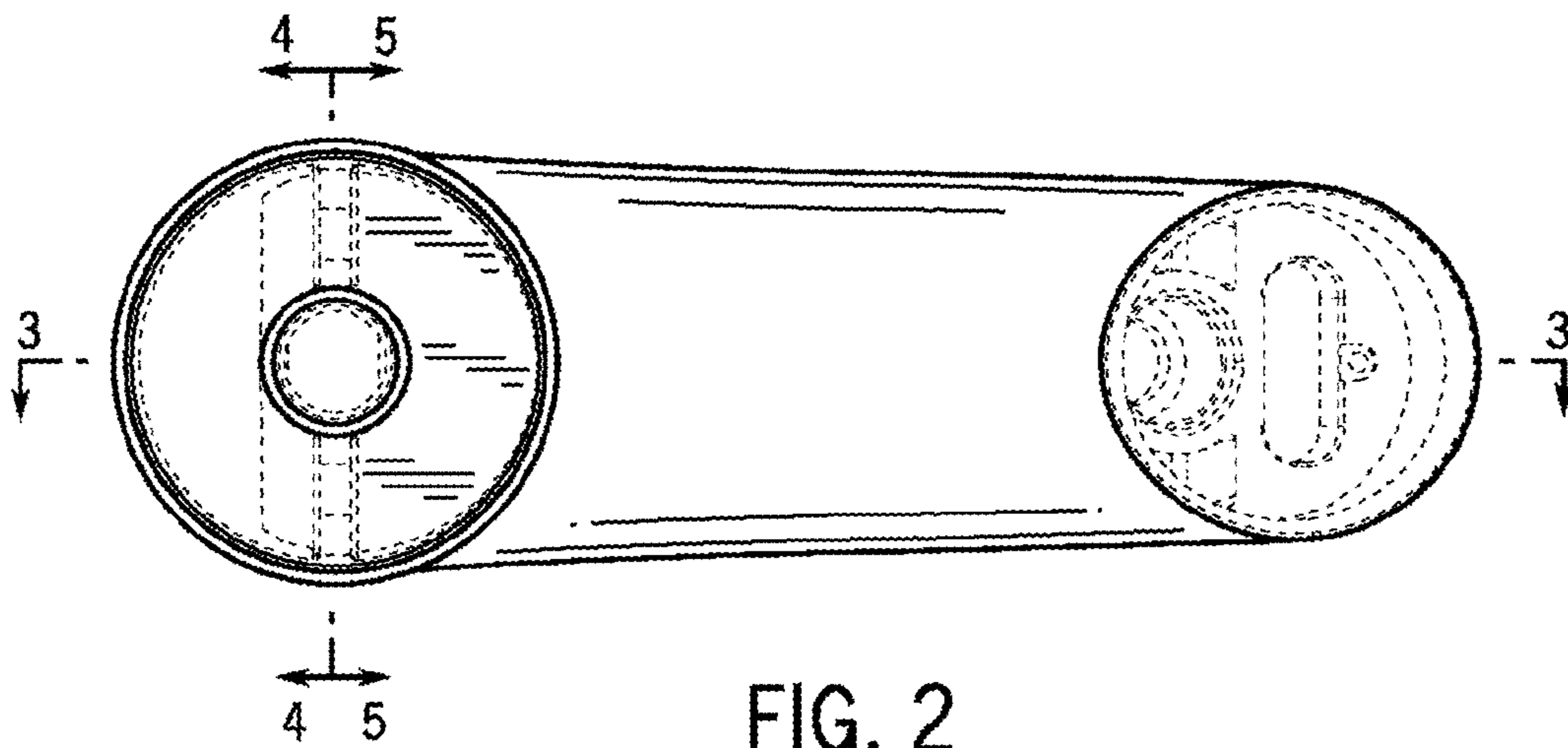


FIG. 2

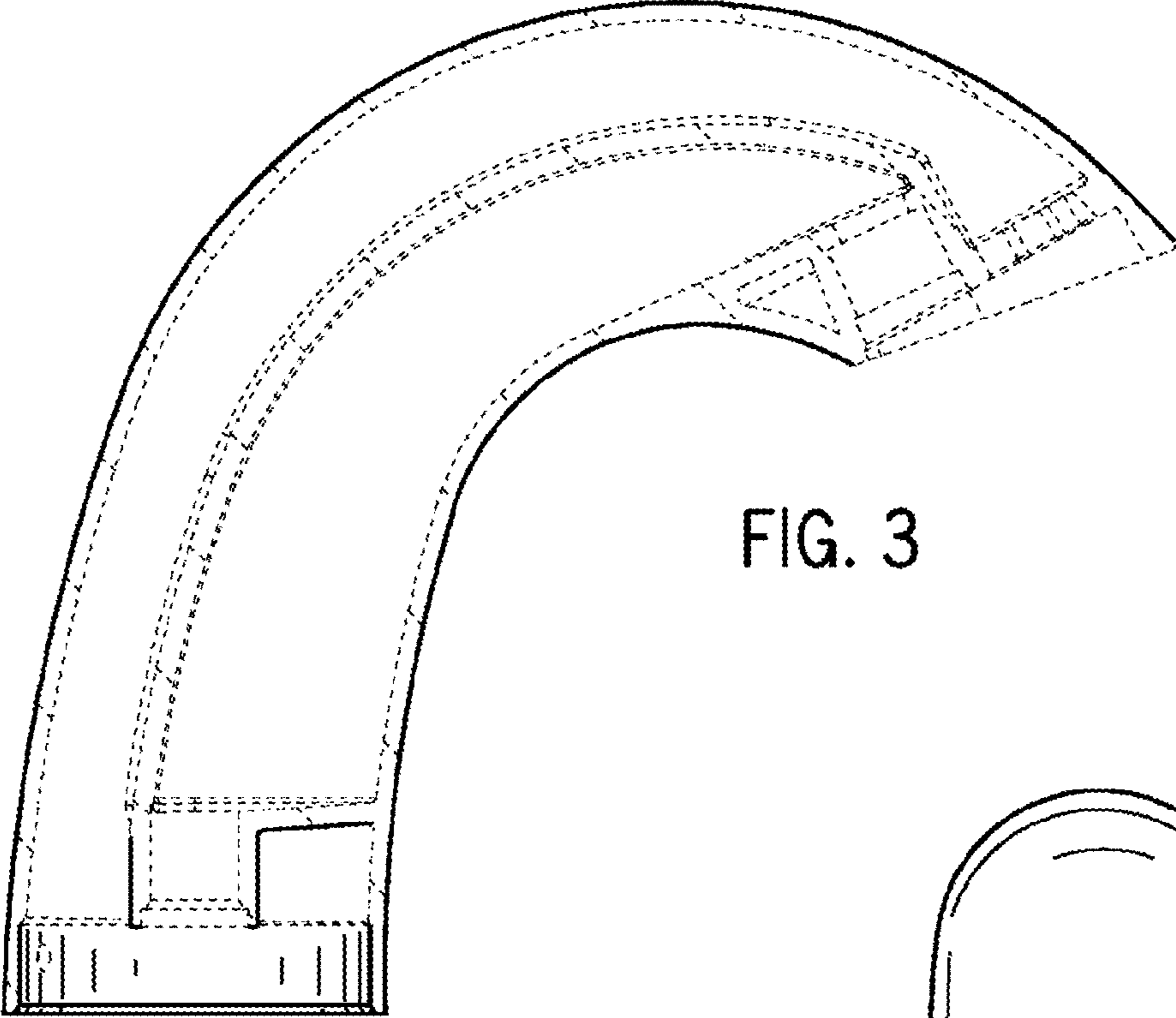


FIG. 3

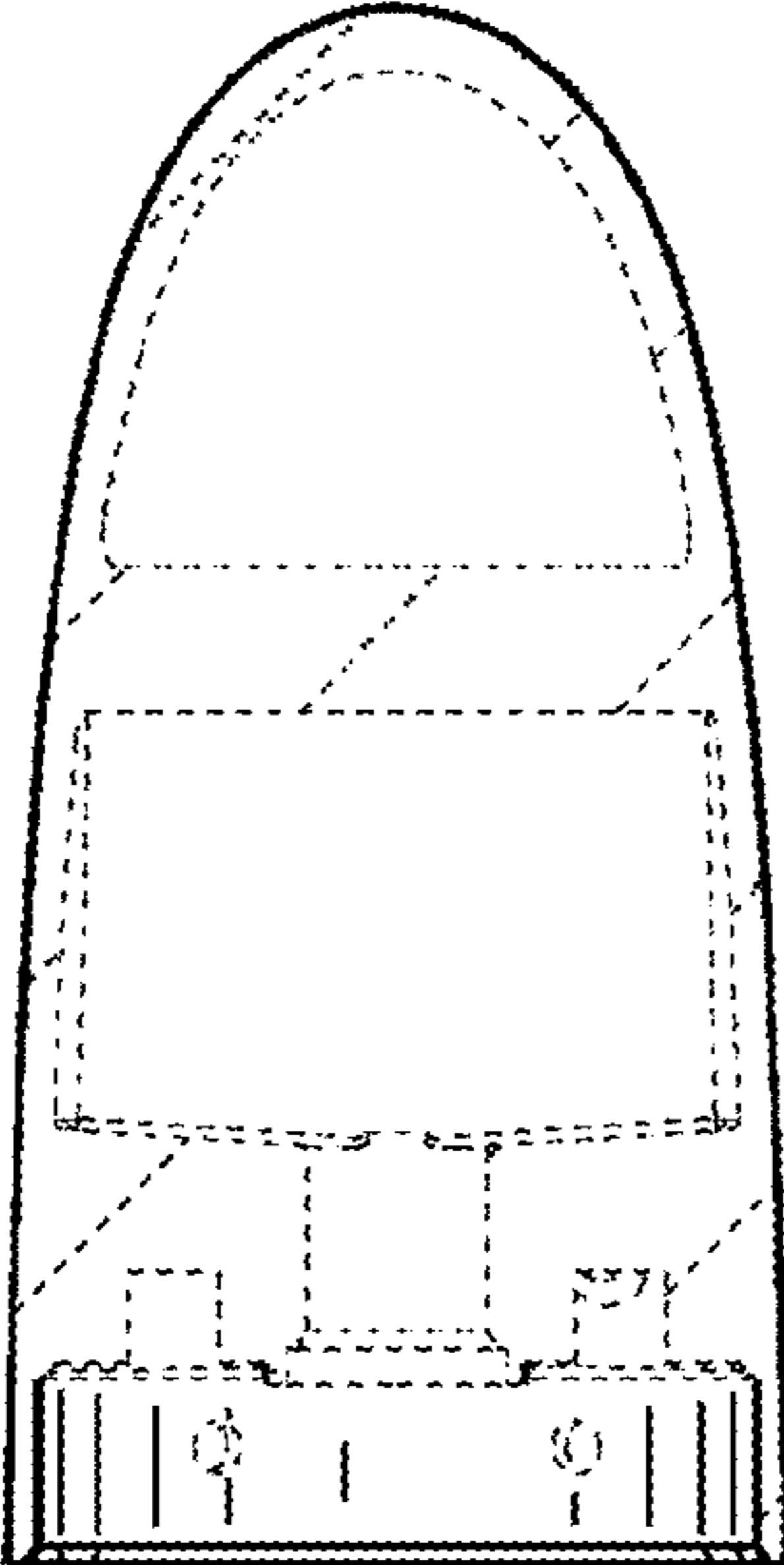


FIG. 4

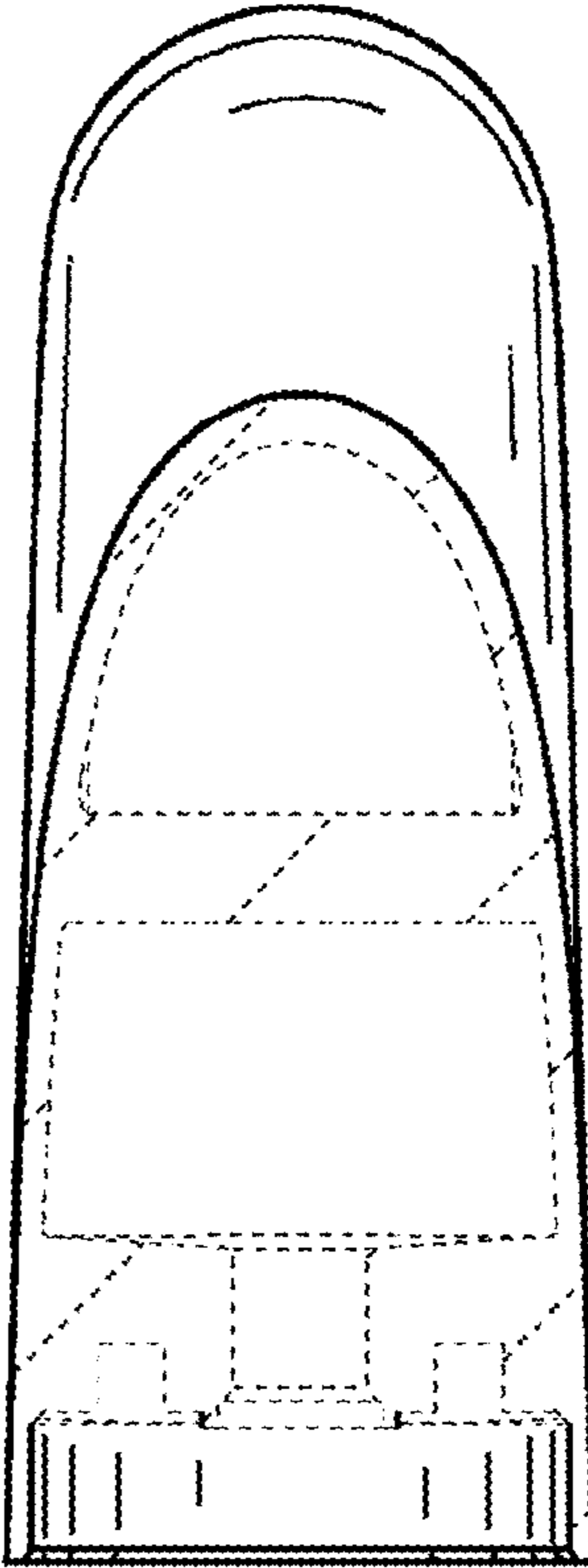


FIG. 5

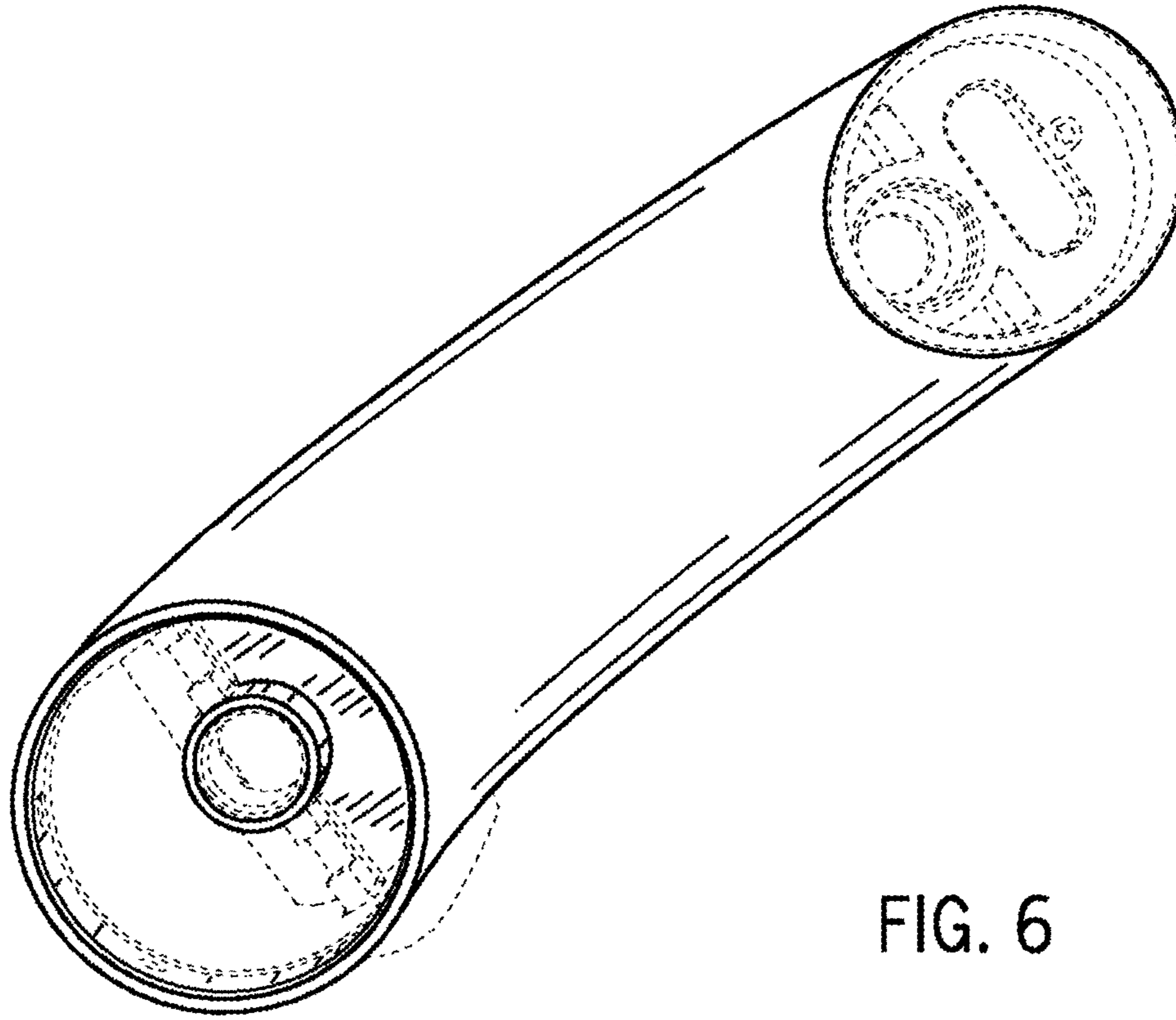


FIG. 6

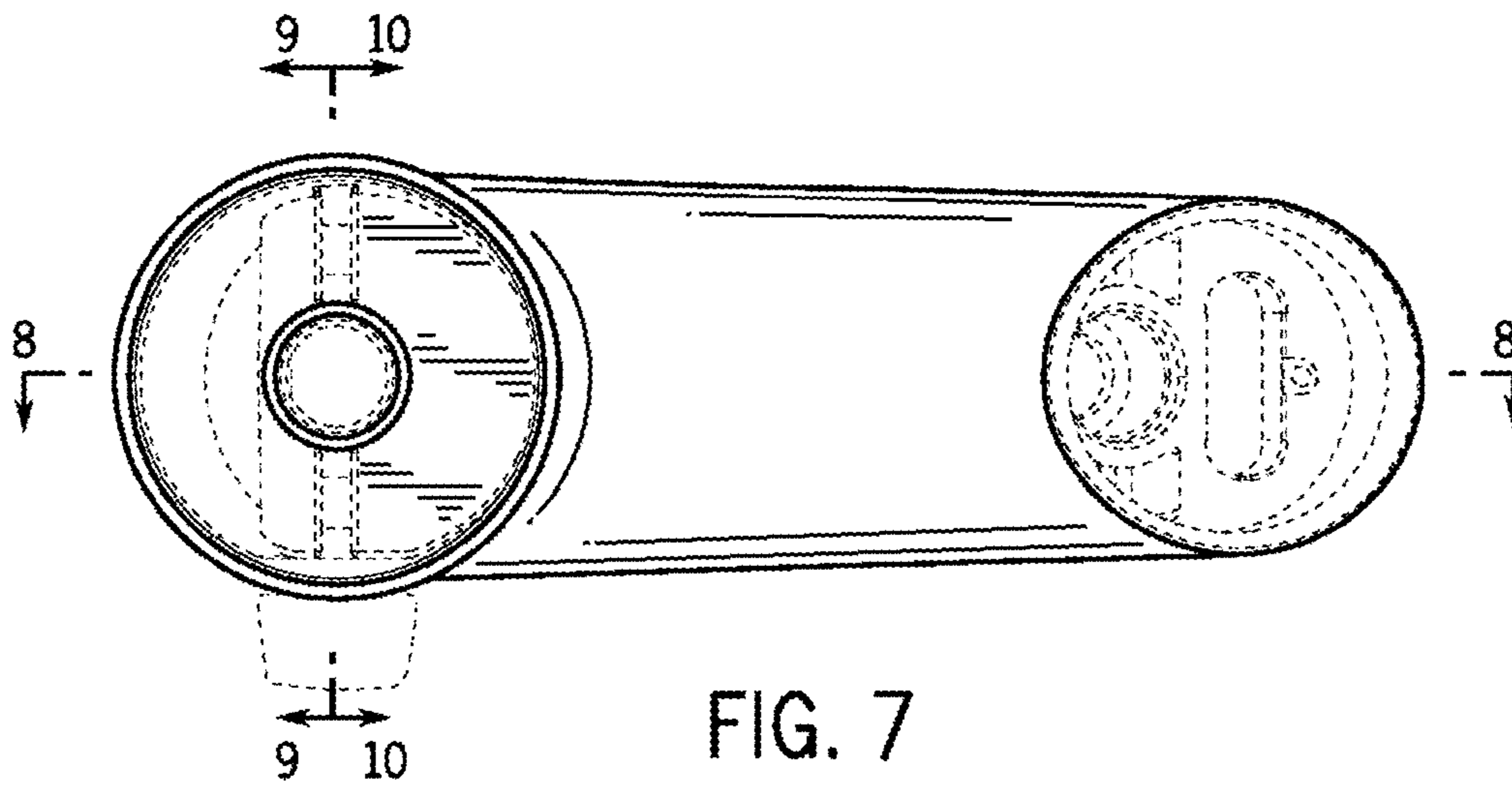


FIG. 7

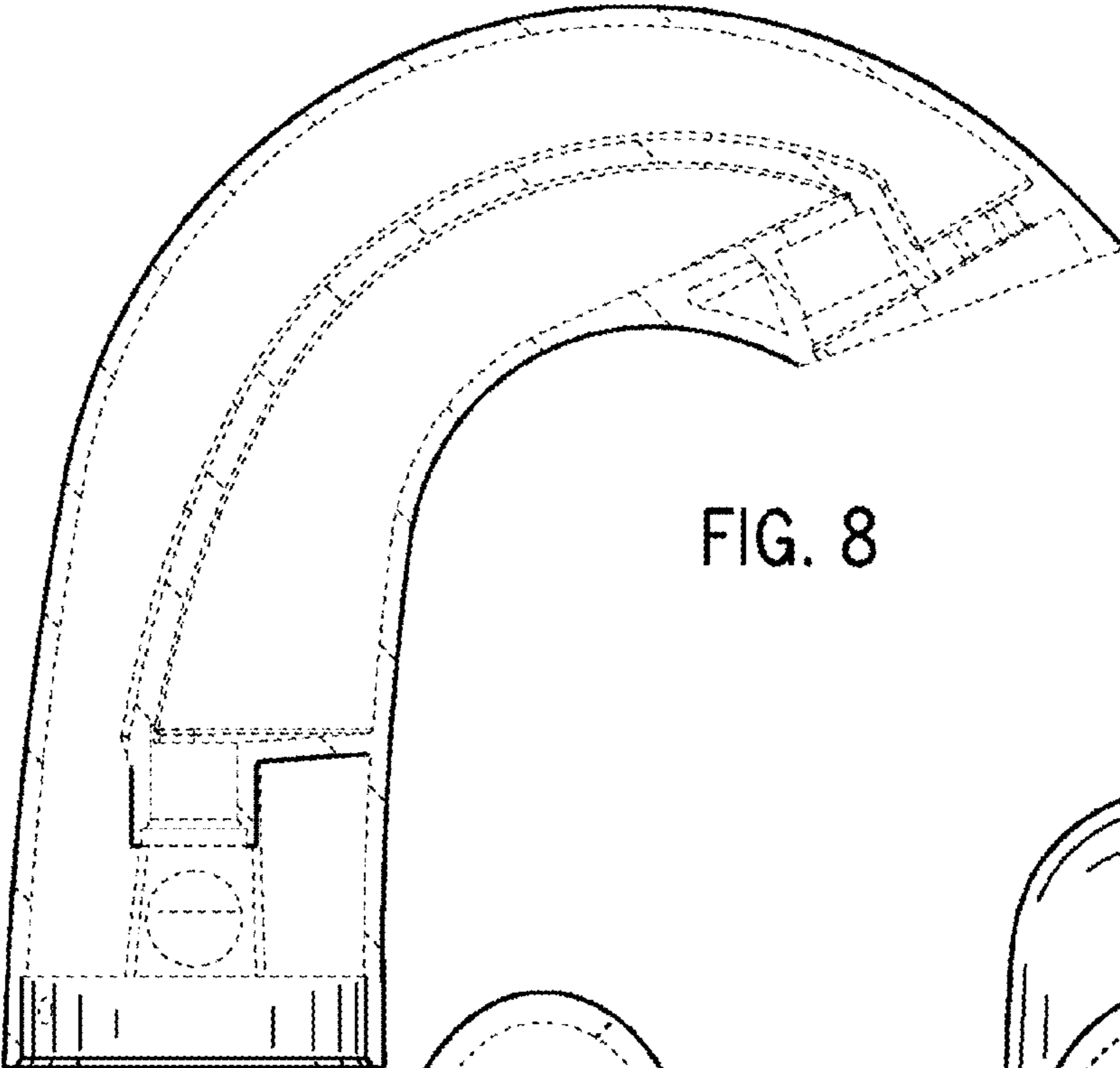


FIG. 8

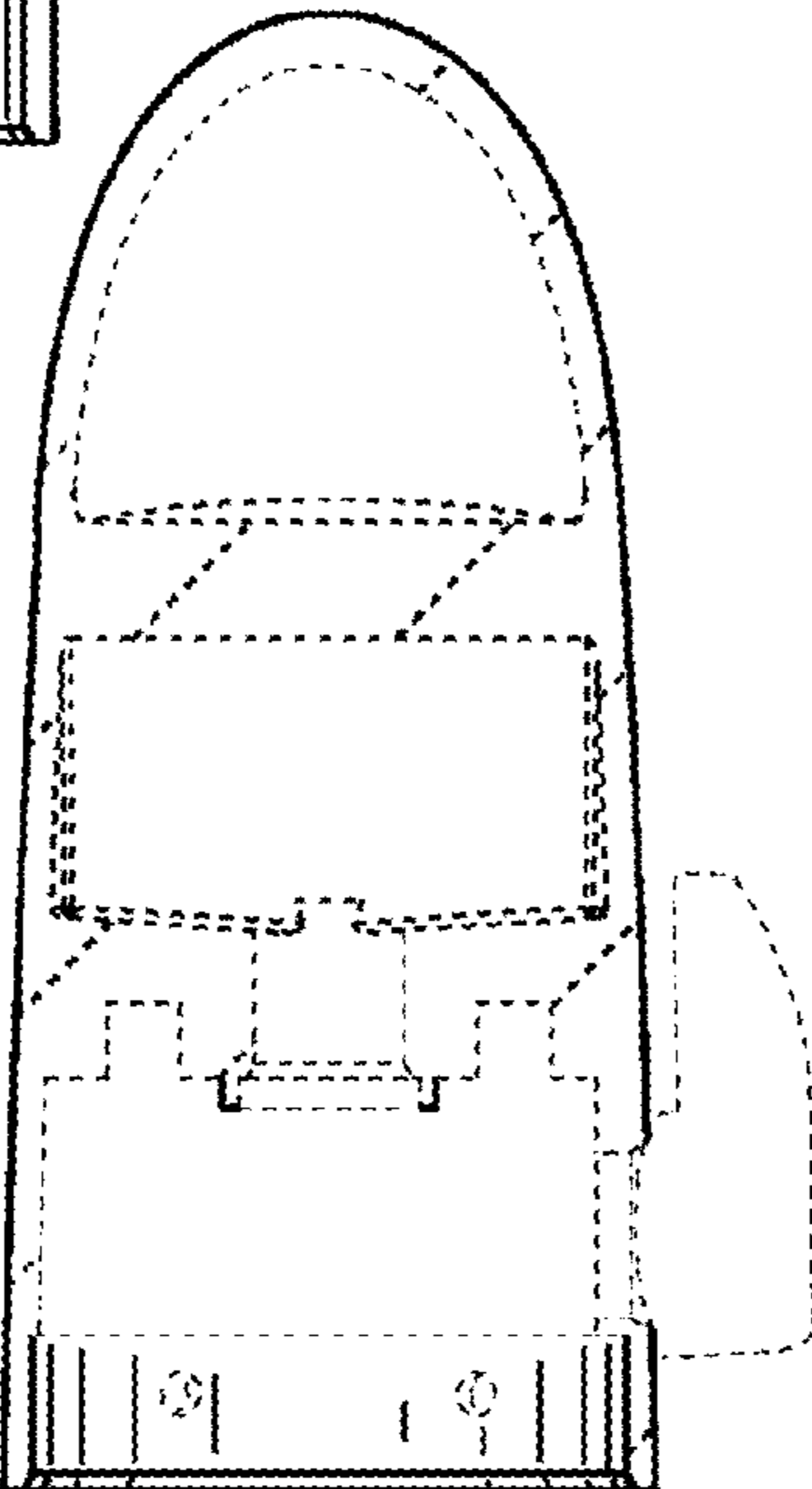


FIG. 9

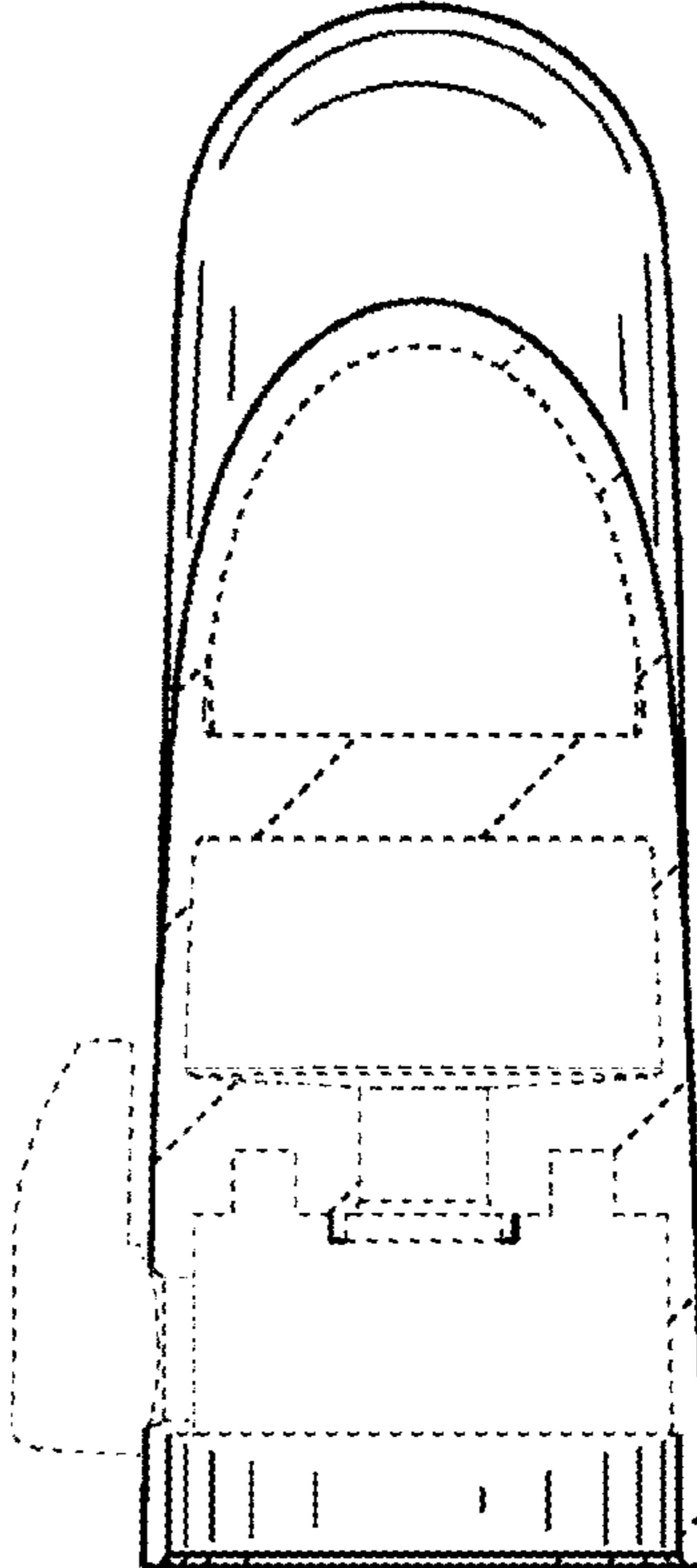


FIG. 10